



US00D366084S

**United States Patent** [19]  
**Wolfe**

[11] **Patent Number: Des. 366,084**  
[45] **Date of Patent: \*\*Jan. 9, 1996**

[54] **RECREATIONAL AIR MATTRESS**  
[75] Inventor: **Henry Wolfe**, Palmetto, Fla.  
[73] Assignee: **Aqua-Leisure Industries, Inc.**, Avon, Mass.  
[\*\*] Term: **14 Years**  
[21] Appl. No.: **28,082**  
[22] Filed: **Sep. 7, 1994**  
[52] U.S. Cl. .... **D21/237; D6/596**  
[58] **Field of Search** ..... D21/236, 237;  
472/129; 441/129-132; D6/596; 5/449,  
455, 595, 596, 604

D. 315,774 3/1991 Thomas ..... D21/236  
4,876,756 10/1989 Vaccaro ..... 441/129

**OTHER PUBLICATIONS**

Sevylor International Collection 1994, Pool Hammock—WH100, p. 33.

*Primary Examiner*—Kay H. Chin  
*Attorney, Agent, or Firm*—Wolf, Greenfield & Sacks

[57] **CLAIM**

The ornamental design for a recreational air mattress, as shown and described.

**DESCRIPTION**

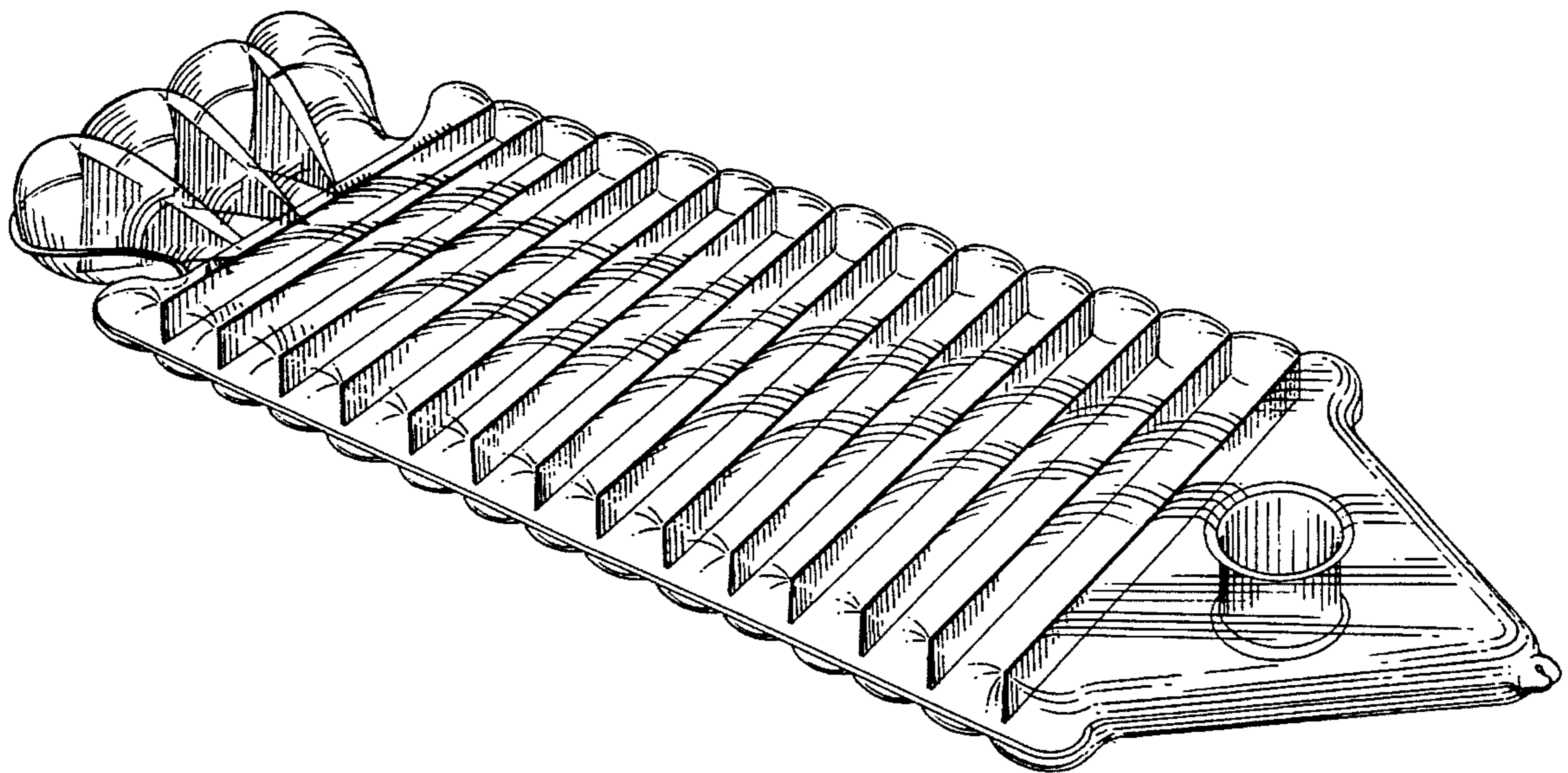
FIG. 1 is a perspective view of a recreational air mattress design;  
FIG. 2 is a top plan view thereof, with the bottom plan view being a mirror image thereof;  
FIG. 3 is a left side elevational view thereof, with the right side elevation being a mirror image thereof;  
FIG. 4 is a rear elevational view thereof; and,  
FIG. 5 is a front elevational view thereof.

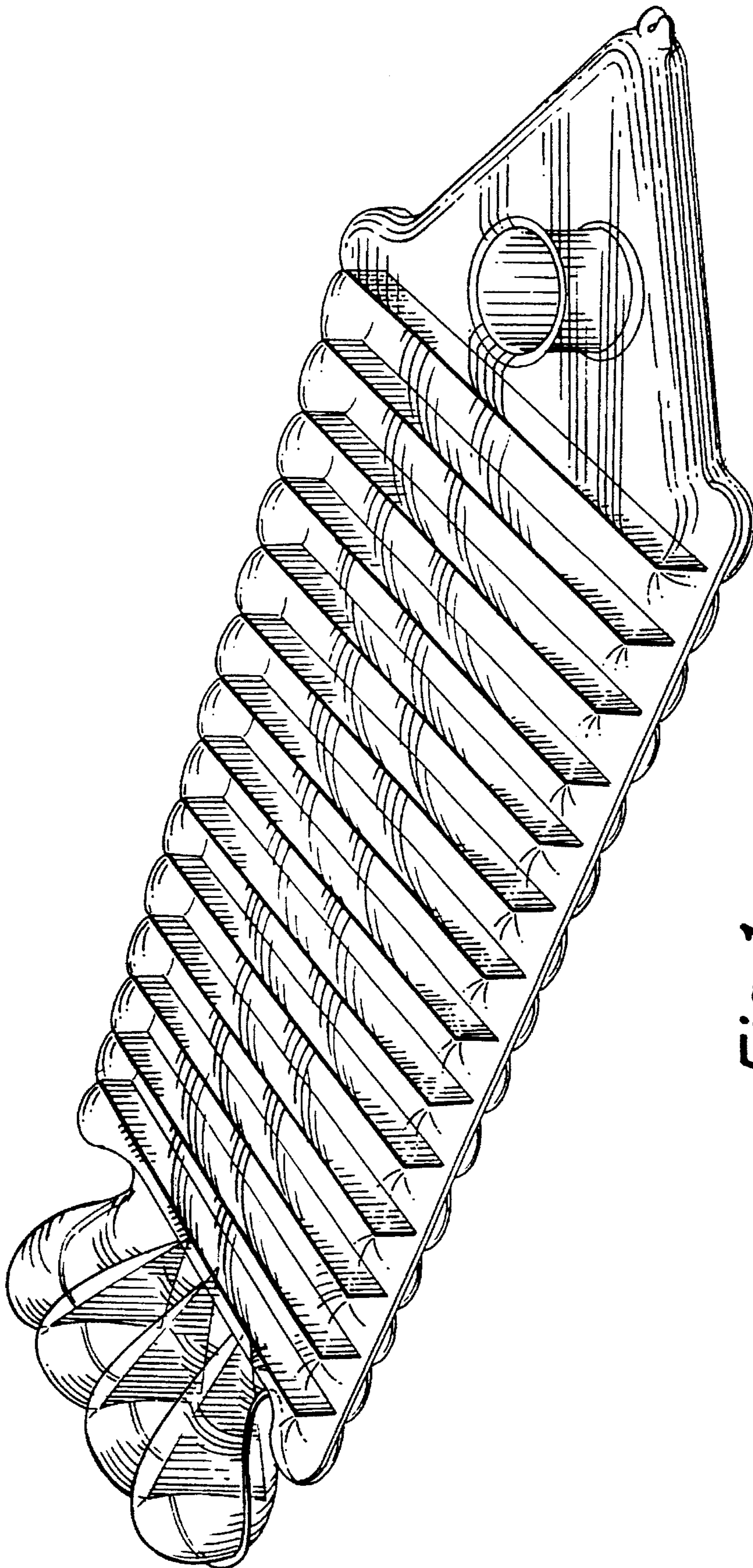
[56] **References Cited**

**U.S. PATENT DOCUMENTS**

|            |        |        |       |         |
|------------|--------|--------|-------|---------|
| D. 310,313 | 9/1990 | Afeyan | ..... | D21/237 |
| D. 314,804 | 2/1991 | Thomas | ..... | D21/237 |
| D. 314,805 | 2/1991 | Thomas | ..... | D21/236 |
| D. 315,187 | 3/1991 | Thomas | ..... | D21/237 |
| D. 315,188 | 3/1991 | Thomas | ..... | D21/237 |
| D. 315,189 | 3/1991 | Thomas | ..... | D21/237 |
| D. 315,388 | 3/1991 | Thomas | ..... | D21/236 |

**1 Claim, 3 Drawing Sheets**





*Fig. 1*

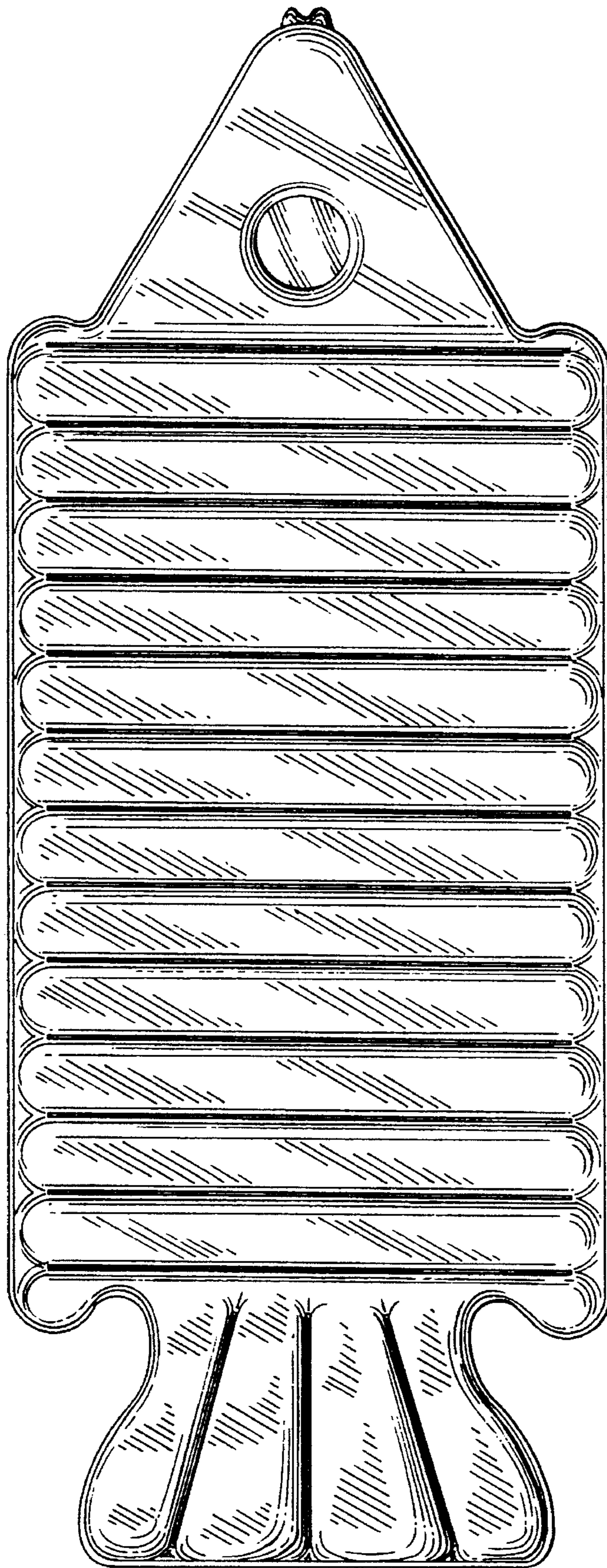


FIG. 2

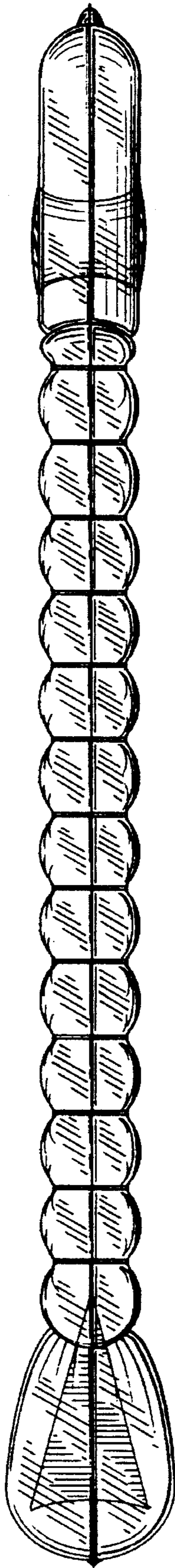


FIG. 3

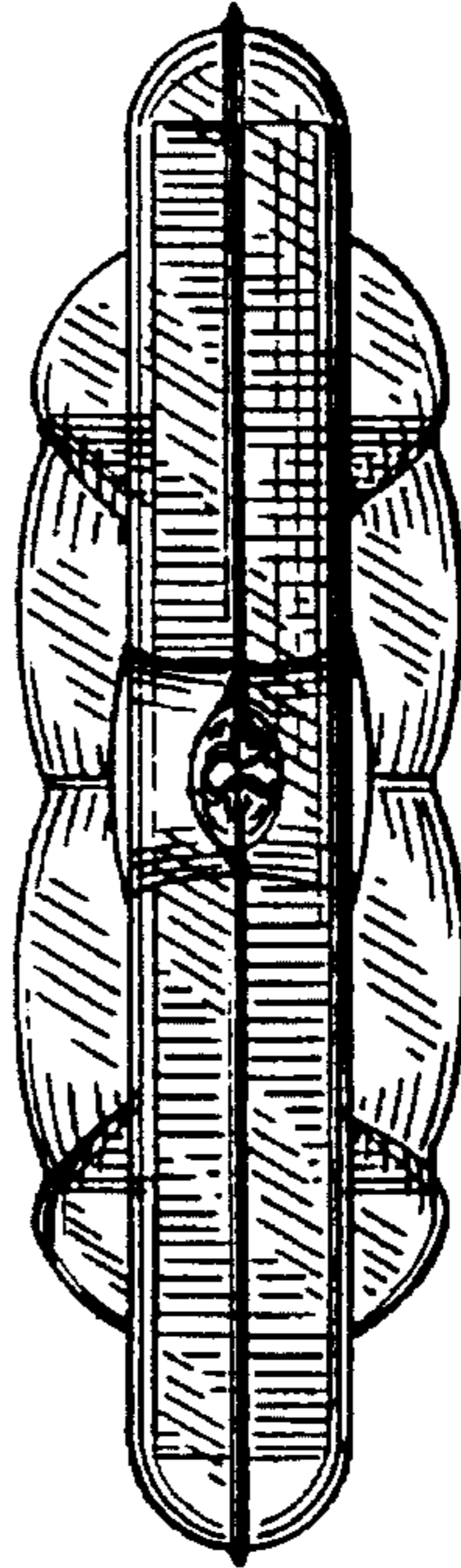


FIG. 5

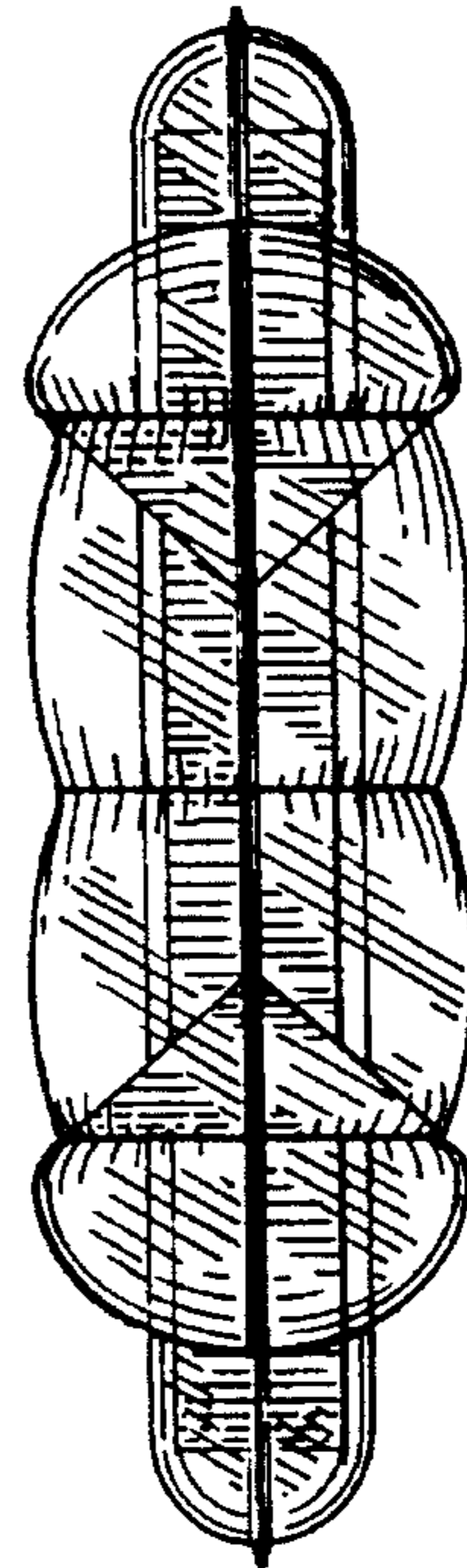


FIG. 4