



US00D366083S

# United States Patent [19]

Zemke

[11] Patent Number: Des. 366,083

[45] Date of Patent: \*\*Jan. 9, 1996

[54] CONNECTOR FOR SKI TRAINING

FOREIGN PATENT DOCUMENTS

[76] Inventor: Jon M. Zemke, 19431 Leetrim Ct., Mokena, Ill. 60448

2262927 7/1993 United Kingdom ..... 441/129

Primary Examiner—Kay H. Chin

[\*\*] Term: 14 Years

[57] CLAIM

[21] Appl. No.: 18,770

The ornamental design for the connector for ski training, as shown and described.

[22] Filed: Feb. 16, 1994

[52] U.S. Cl. .... D21/230

[58] Field of Search ..... D21/230, 236; 441/129; 280/818, 817

### DESCRIPTION

FIG. 1 is a front elevational view of the connector for ski training showing my new design; FIG. 2 is a rear elevational view thereof; FIG. 3 is a left side elevational view thereof; FIG. 4 is a right side elevational view thereof; FIG. 5 is a top plan view thereof; FIG. 6 is a bottom plan view thereof; FIG. 7 is an enlarged perspective view thereof; and, FIG. 8 is reduced perspective view showing a use thereof, the broken line showing of two water skis for illustrative purposes only and forming no part of the claimed design.

### [56] References Cited

#### U.S. PATENT DOCUMENTS

3,066,328	12/1962	Jones .....	280/818
3,439,387	4/1969	Churches .....	280/818
3,862,764	1/1975	Hartz .	
3,907,320	9/1975	Charnock .	
4,846,690	7/1989	Williams .	
4,936,603	6/1990	Reynaud .	
4,981,455	1/1991	Tubens .	

1 Claim, 4 Drawing Sheets

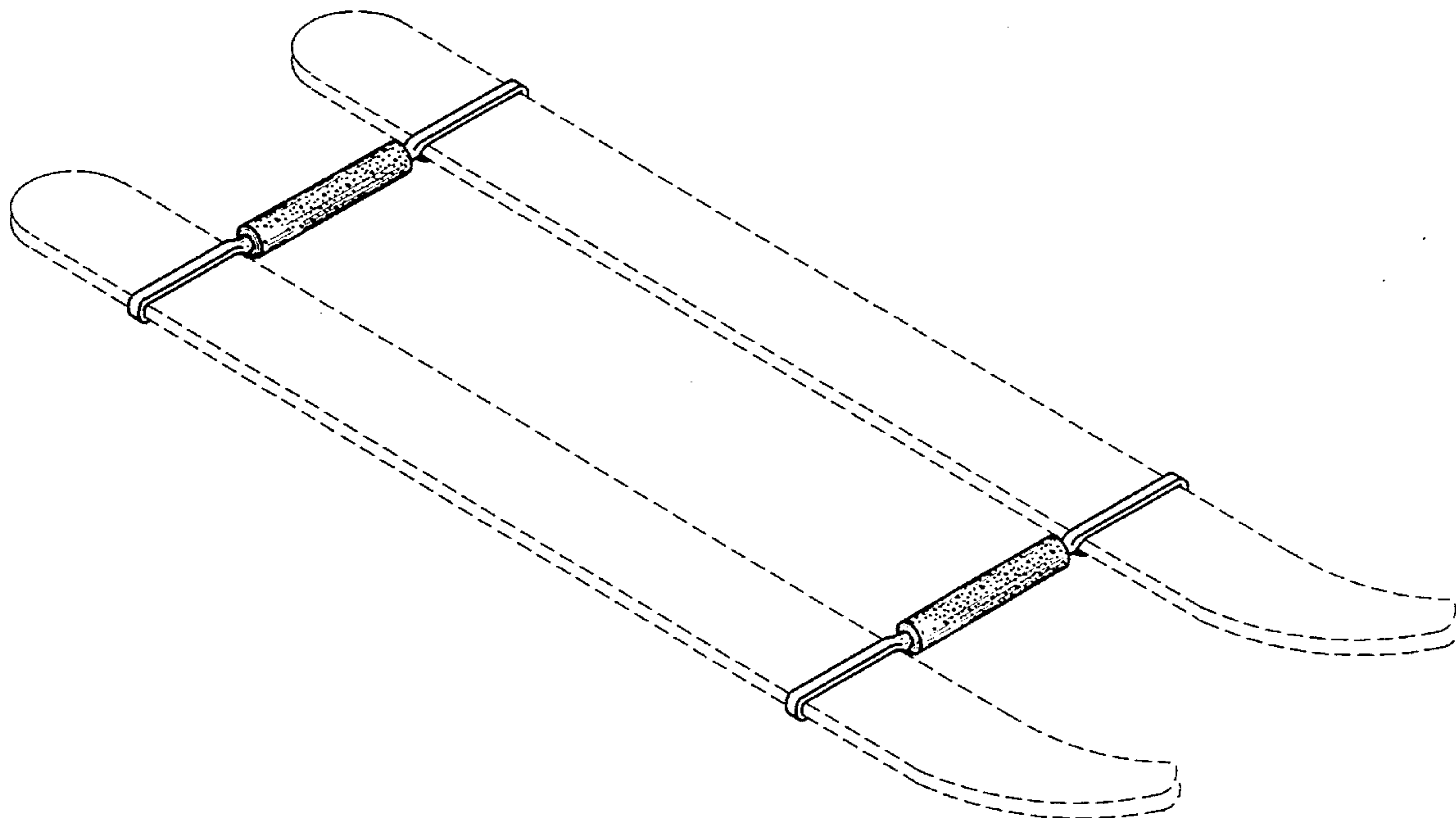


FIG. 1

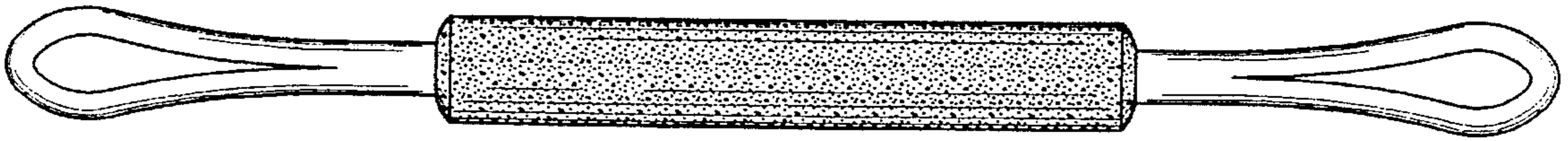


FIG. 2

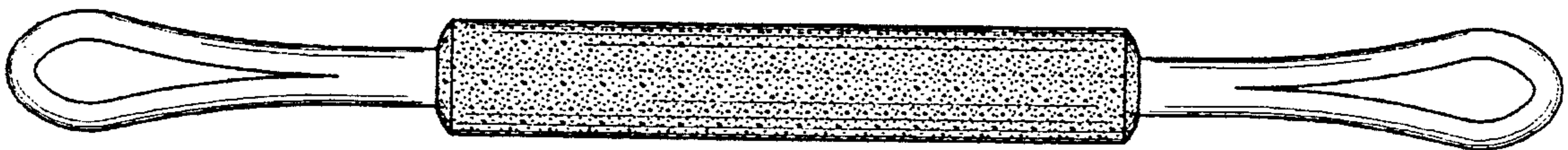


FIG. 3



FIG. 4



FIG. 5

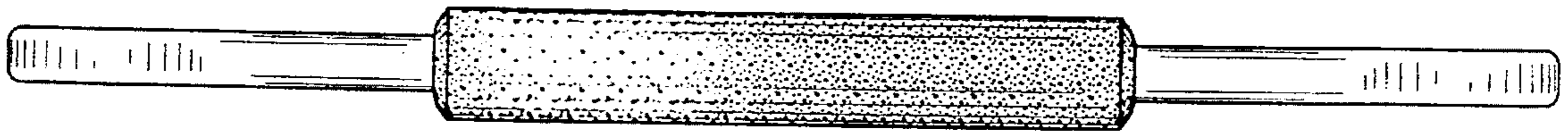
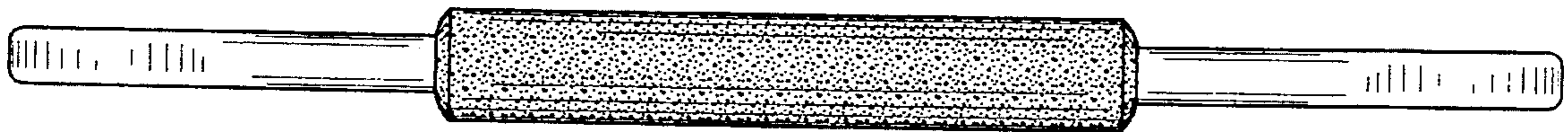


FIG. 6



*FIG. 7*

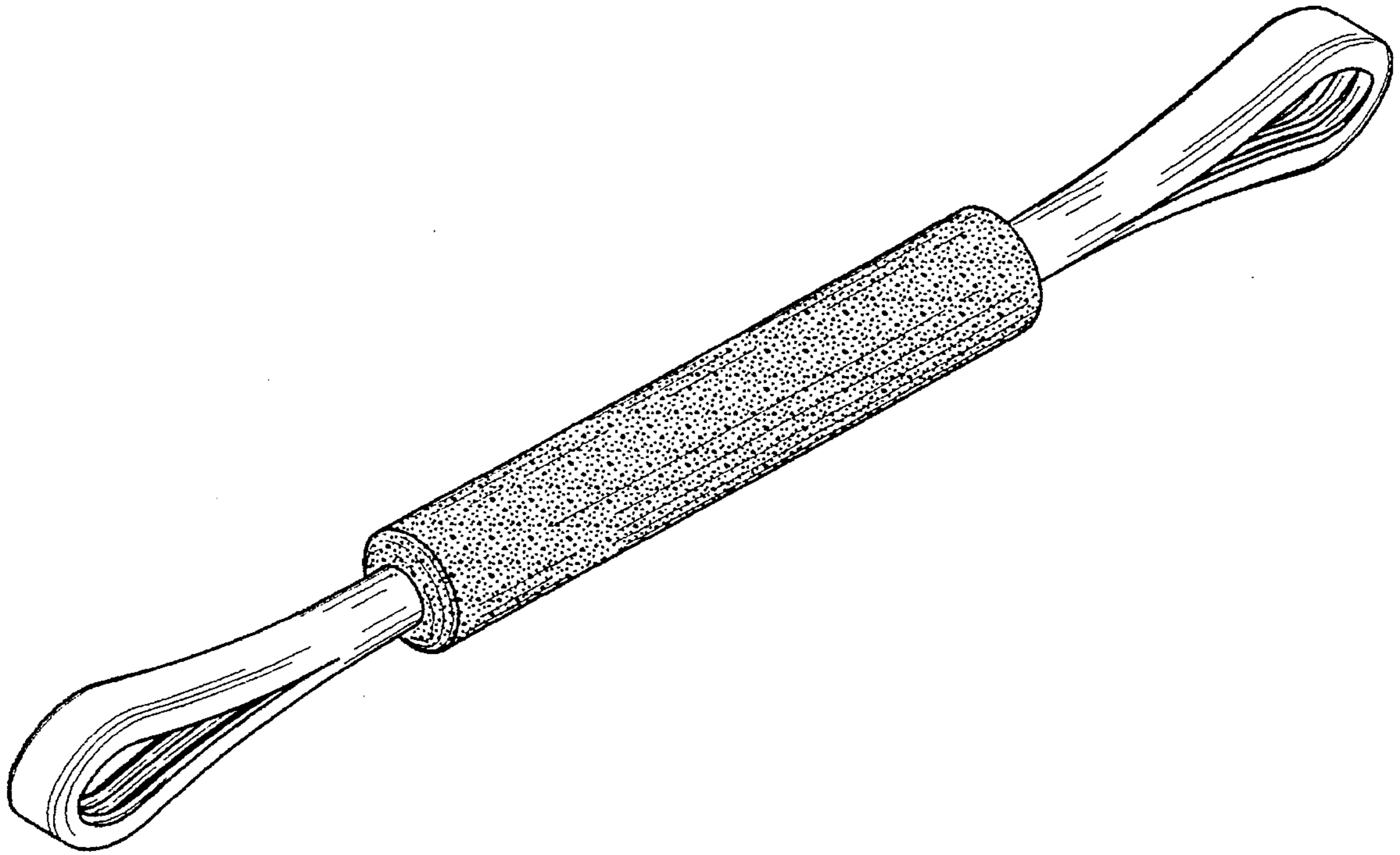


FIG. 8

