



US00D366082S

United States Patent [19]

[11] Patent Number: Des. 366,082

Dekura

[45] Date of Patent: **Jan. 9, 1996

[54] GOLF CLUB HEAD

[75] Inventor: Shoichi Dekura, Higashikurume, Japan

[73] Assignee: Daiwa Seiko Inc., Tokyo, Japan

[**] Term: 14 Years

[21] Appl. No.: 30,200

[22] Filed: Oct. 24, 1994

[30] Foreign Application Priority Data

Apr. 29, 1994	[JP]	Japan	6-12616
Apr. 29, 1994	[JP]	Japan	6-12617

[52] U.S. Cl. D21/220

[58] Field of Search D21/220; 273/167-175

[56] References Cited

U.S. PATENT DOCUMENTS

D. 179,816	3/1957	Penna	D21/220
D. 240,841	8/1976	Solheim	D21/220
D. 323,689	2/1992	Hardman et al.	D21/220
D. 347,254	5/1994	Iinuma	D21/220
D. 354,537	1/1995	Takahashi et al.	D21/220
D. 354,786	1/1995	Manning et al.	D21/220
D. 357,044	4/1995	Ackerman	D21/220
5,326,106	7/1994	Meyer	273/173 X

FOREIGN PATENT DOCUMENTS

800074 11/1990 Japan .

OTHER PUBLICATIONS

Spalding 1989 Pro Golf Catalog; p. 29; Item II, Tour Edition.
Golf Magazine; Apr. 1991; p. 37; Golf Club, middle of page.

Primary Examiner—Ted Shooman
Assistant Examiner—Mitchell I. Siegel
Attorney, Agent, or Firm—Laff, Whitesel, Conte & Saret, Ltd.

[57] CLAIM

The ornamental design for a golf club head, as shown and described.

DESCRIPTION

FIG. 1 is a front, top and right side perspective view of a golf club head, showing my new design;

FIG. 2 is a front, bottom and right side perspective view thereof;

FIG. 3 is a top plan view thereof;

FIG. 4 is a front elevational view thereof;

FIG. 5 is a right side elevational view thereof;

FIG. 6 is a left side elevational view thereof;

FIG. 7 is a bottom plan view thereof;

FIG. 8 is a rear elevational view thereof;

FIG. 9 is a cross section taken on line 9—9 of FIG. 4;

FIG. 10 is a cross section taken on line 10—10 of FIG. 4;

FIG. 11 is a cross section taken on line 11—11 of FIG. 4;

FIG. 12 is a front, top and right side perspective view of a second embodiment of the golf club head as disclosed in FIG. 1;

FIG. 13 is a front, bottom and right side perspective view of FIG. 12;

FIG. 14 is a top plan view of FIG. 12;

FIG. 15 is a front elevational view of FIG. 12;

FIG. 16 is a right side elevational view of FIG. 12;

FIG. 17 is a left side elevational view of FIG. 12;

FIG. 18 is a bottom plan view of FIG. 12;

FIG. 19 is a rear elevational view of FIG. 12;

FIG. 20 is a cross section taken on line 20—20 of FIG. 15;

FIG. 21 is a cross section taken on line 21—21 of FIG. 15; and,

FIG. 22 is a cross section taken on line 22—22 of FIG. 15.

1 Claim, 4 Drawing Sheets

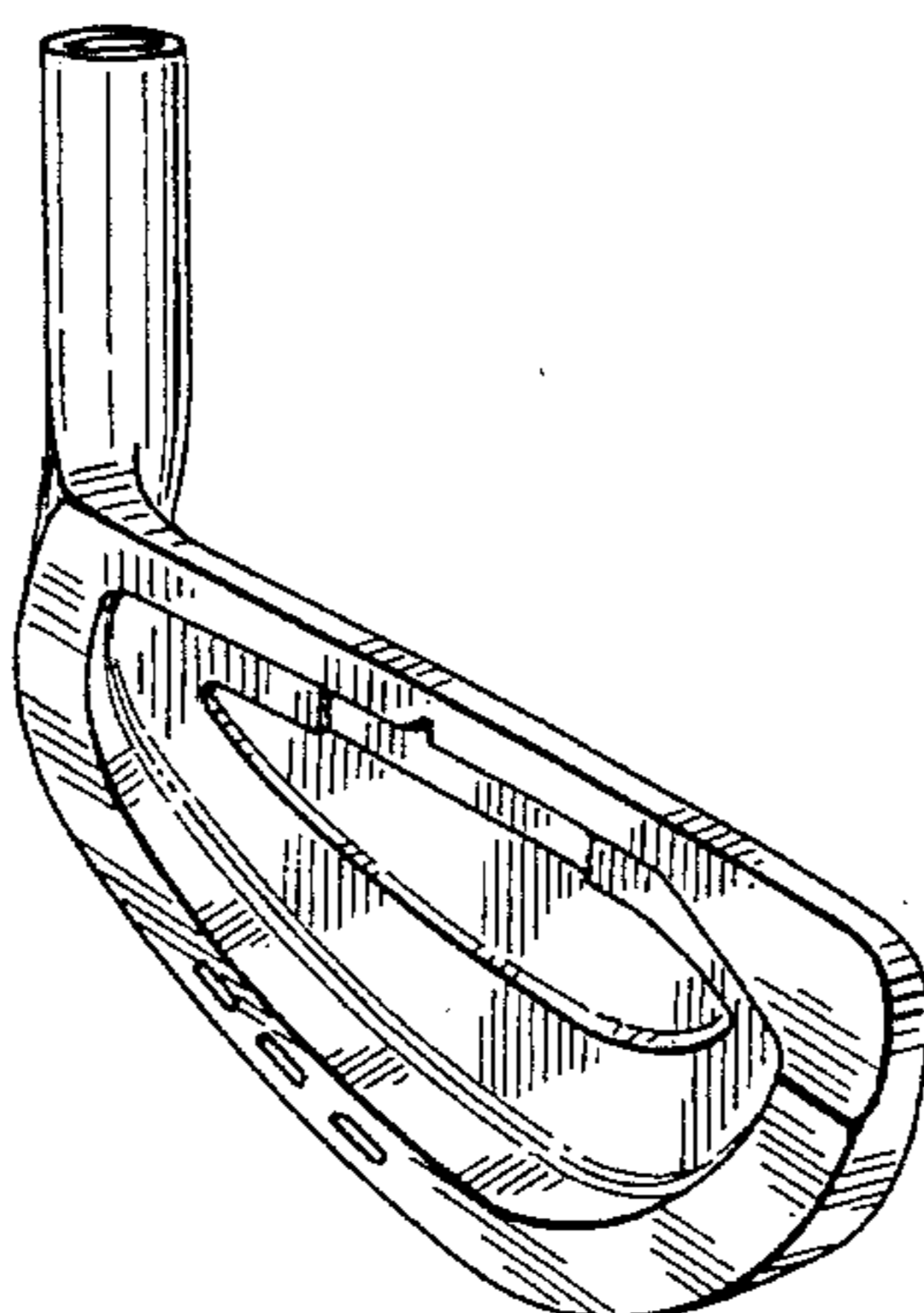


FIG. 1

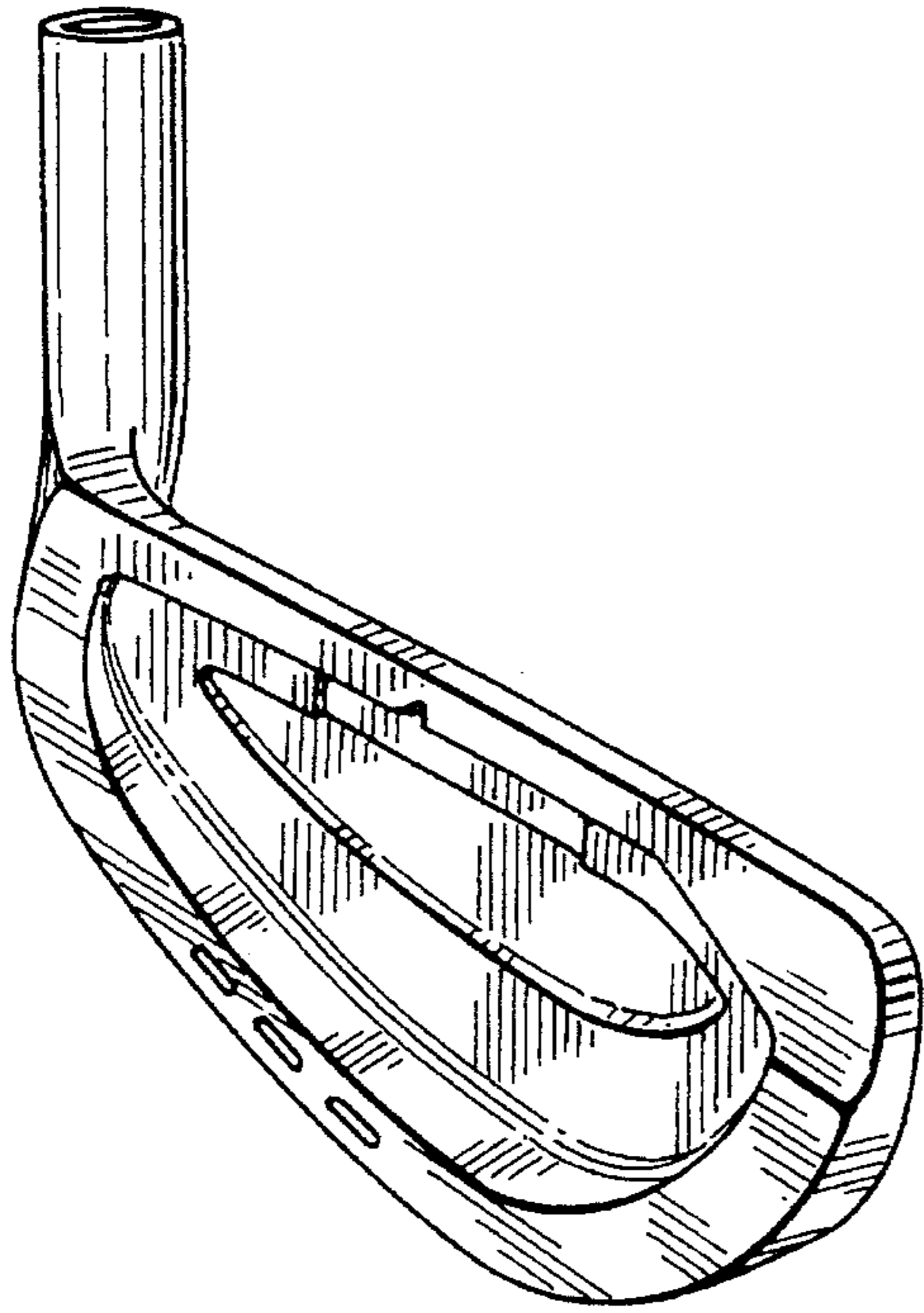


FIG. 2

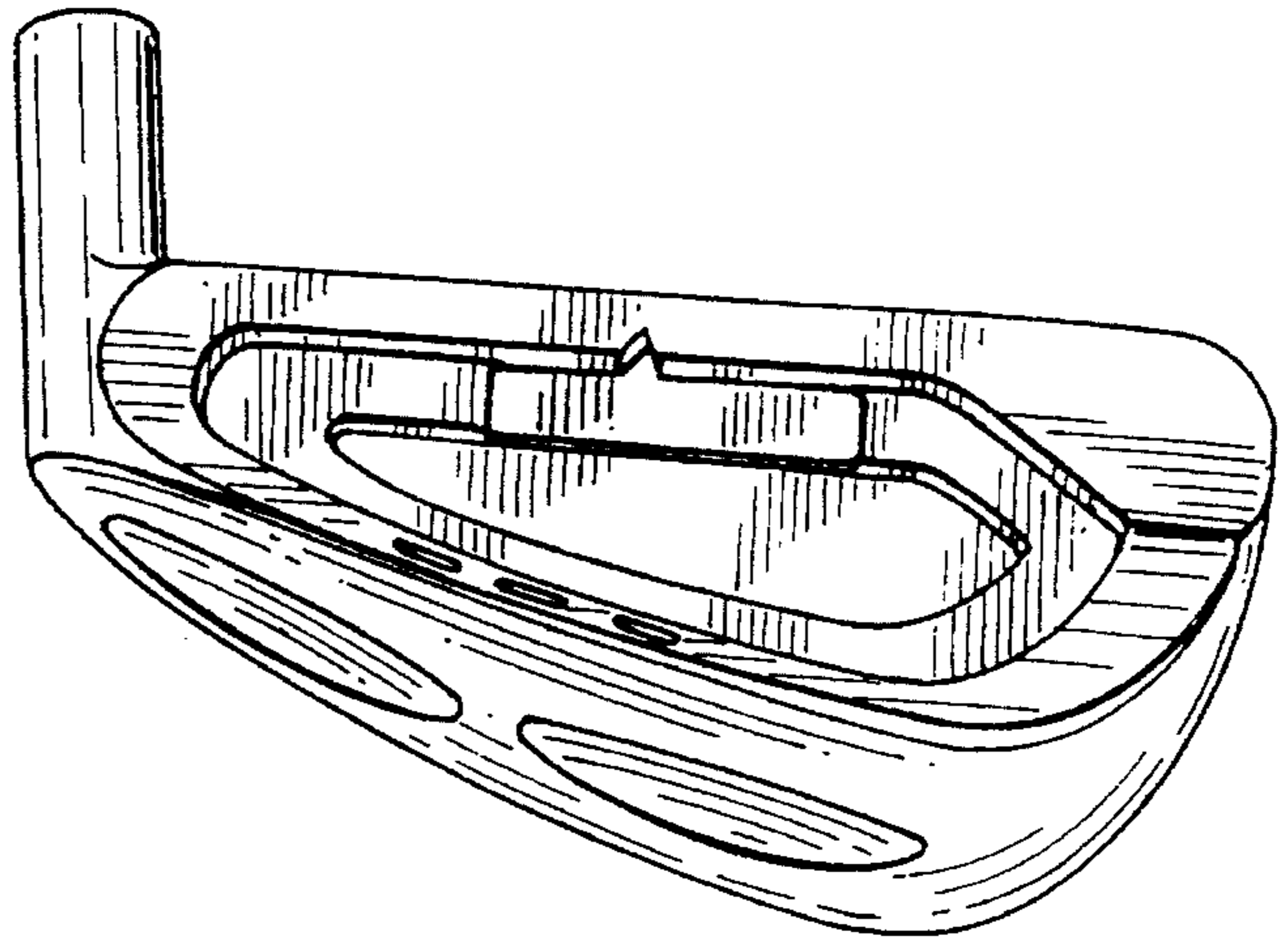


FIG. 9

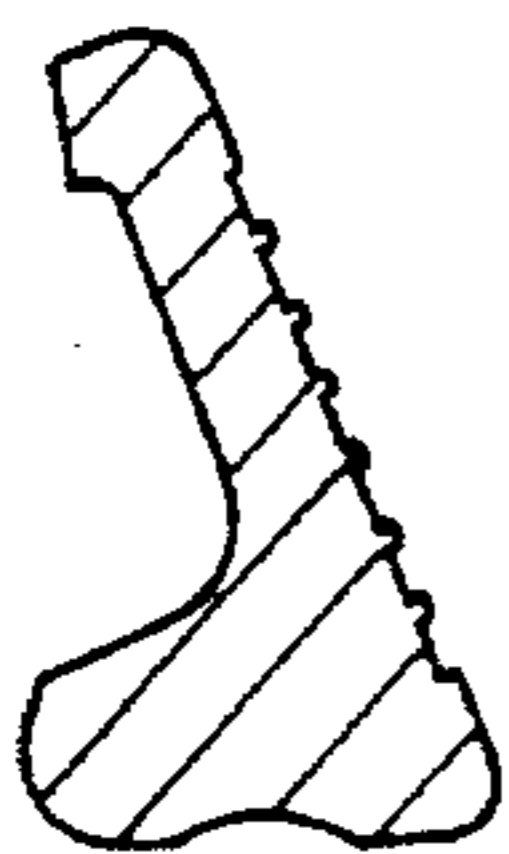


FIG. 10

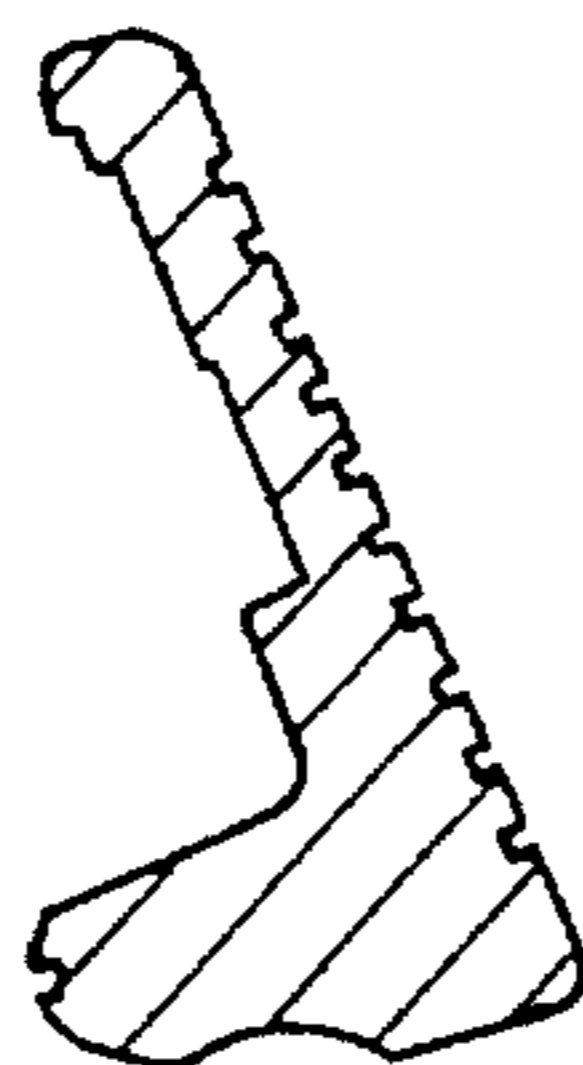


FIG. 11

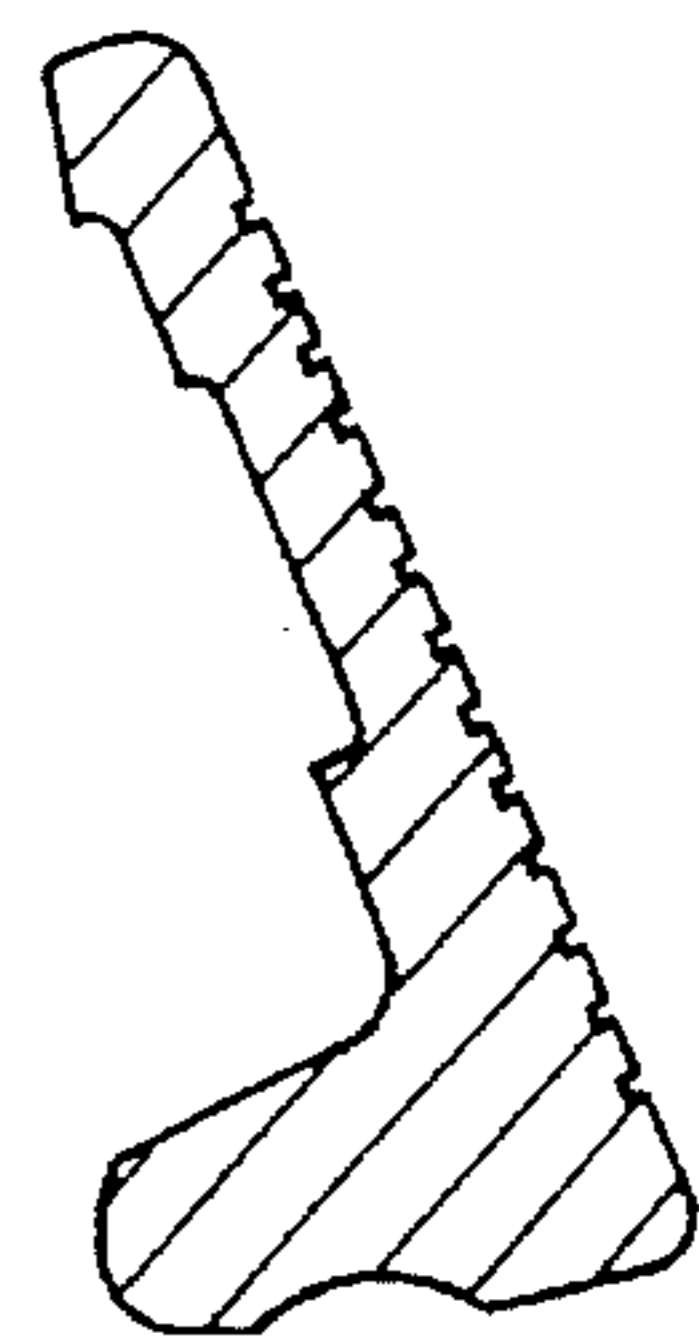


FIG. 3

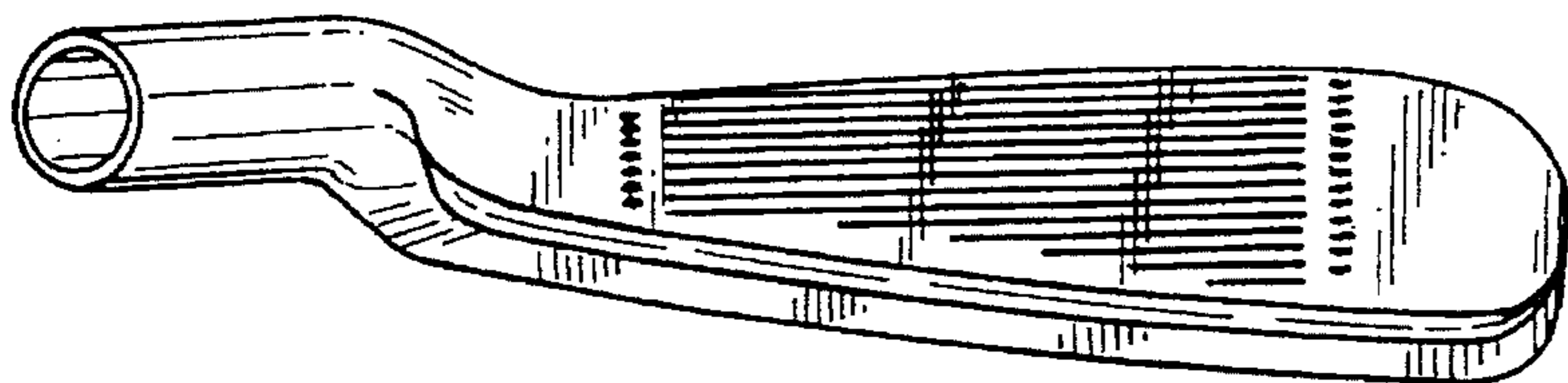


FIG. 5

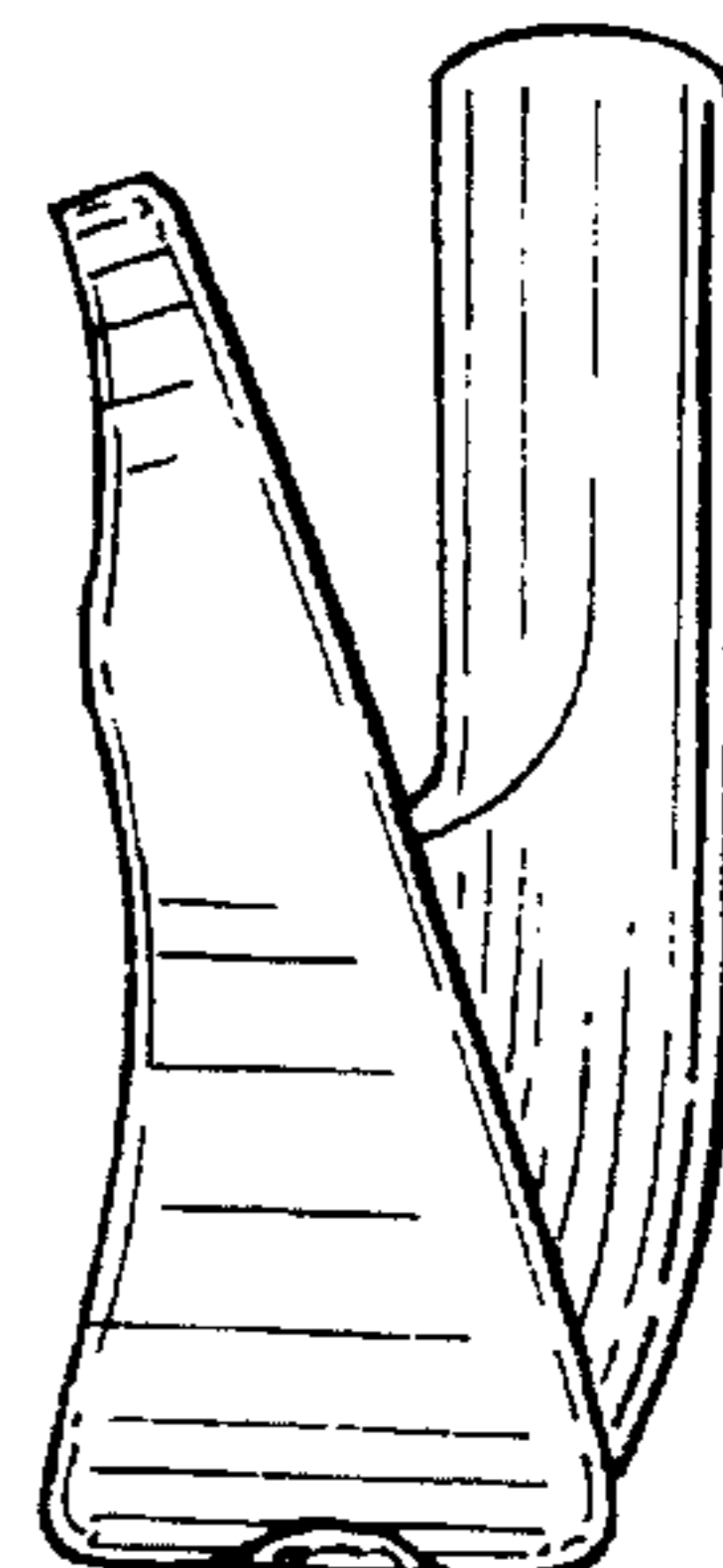


FIG. 4

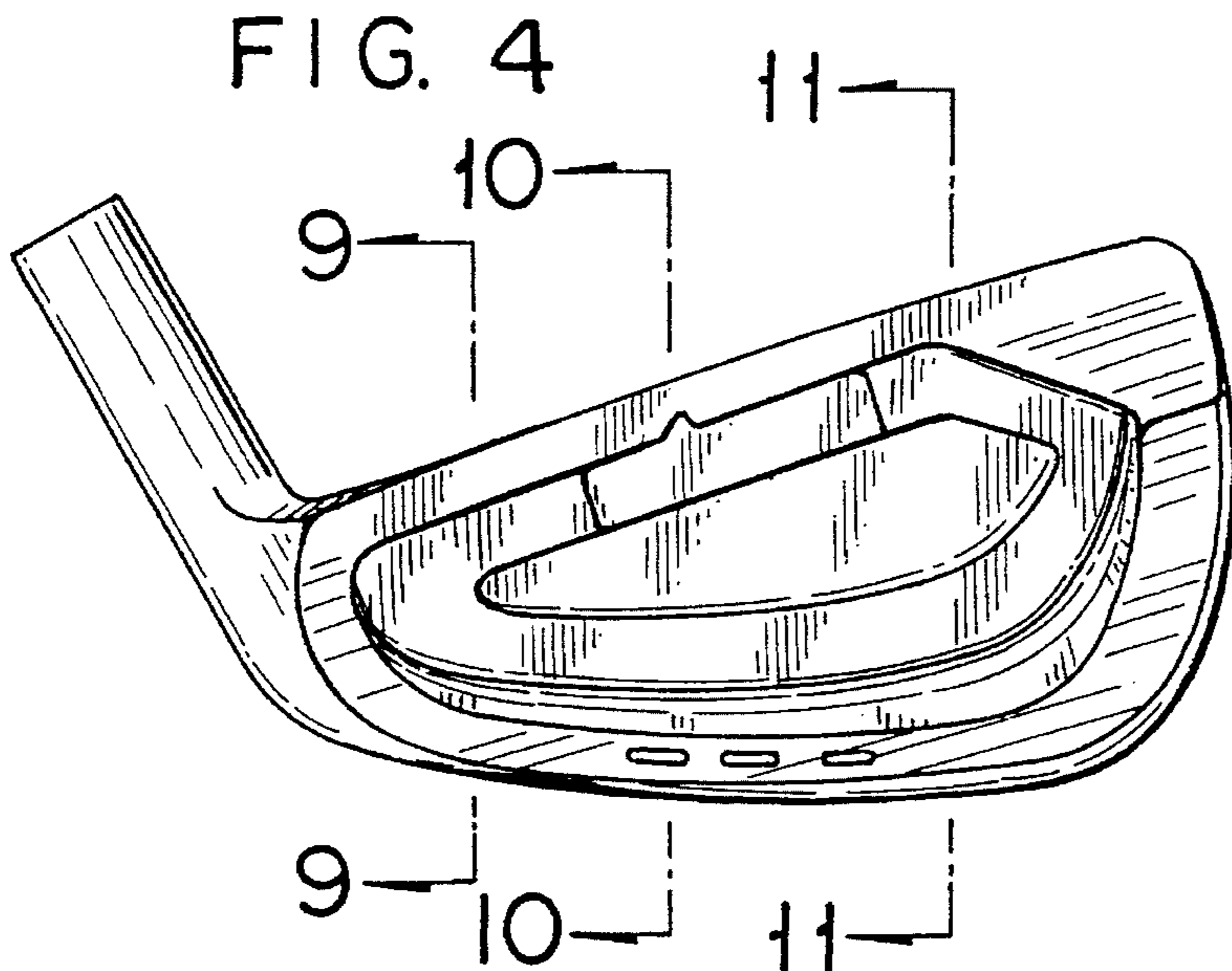


FIG. 6

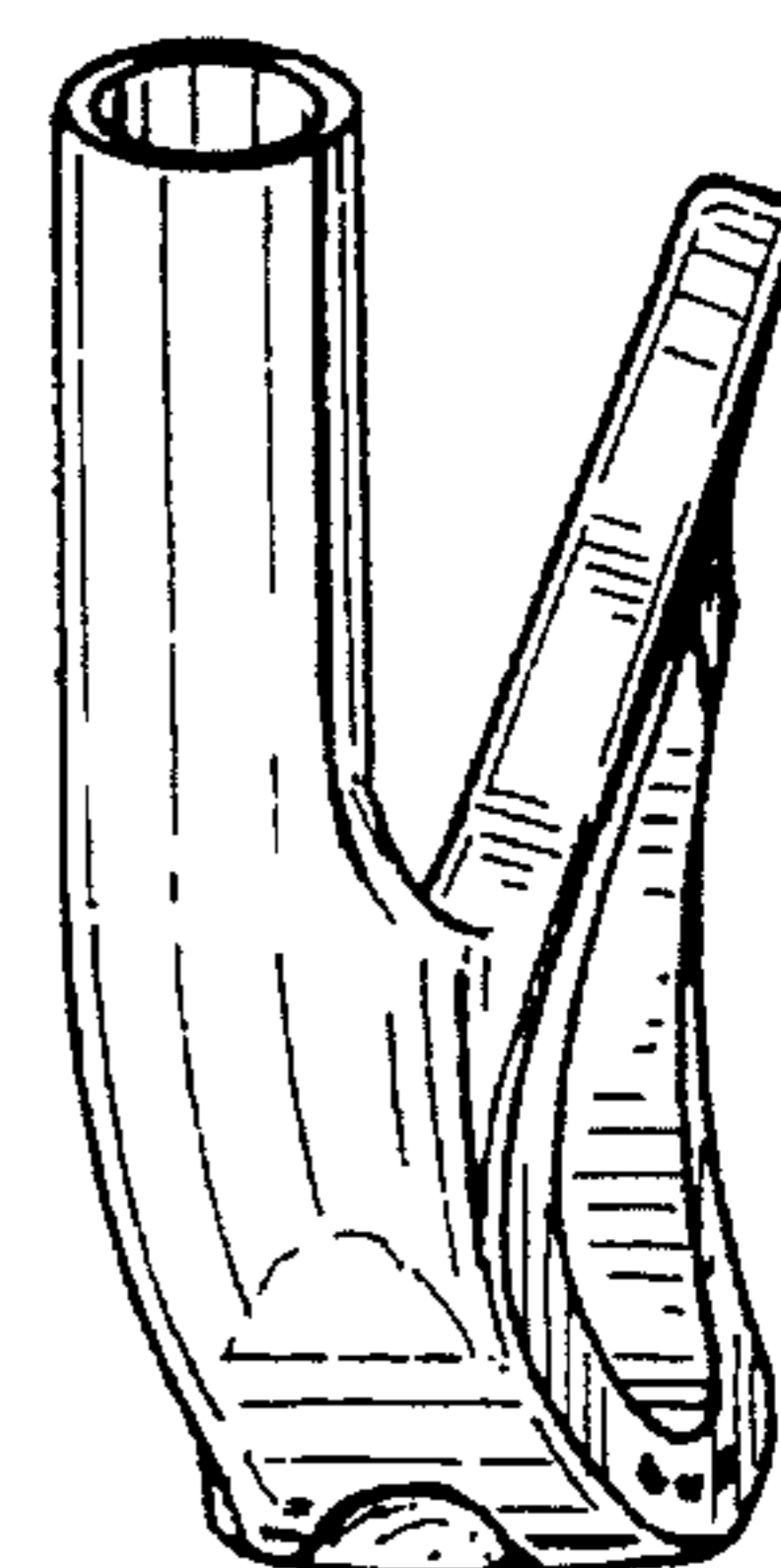


FIG. 7

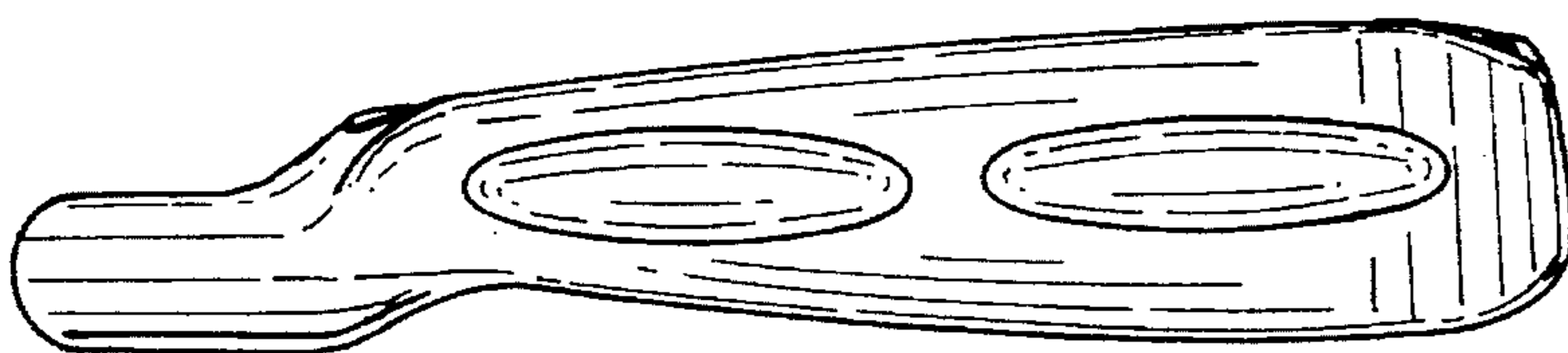


FIG. 8

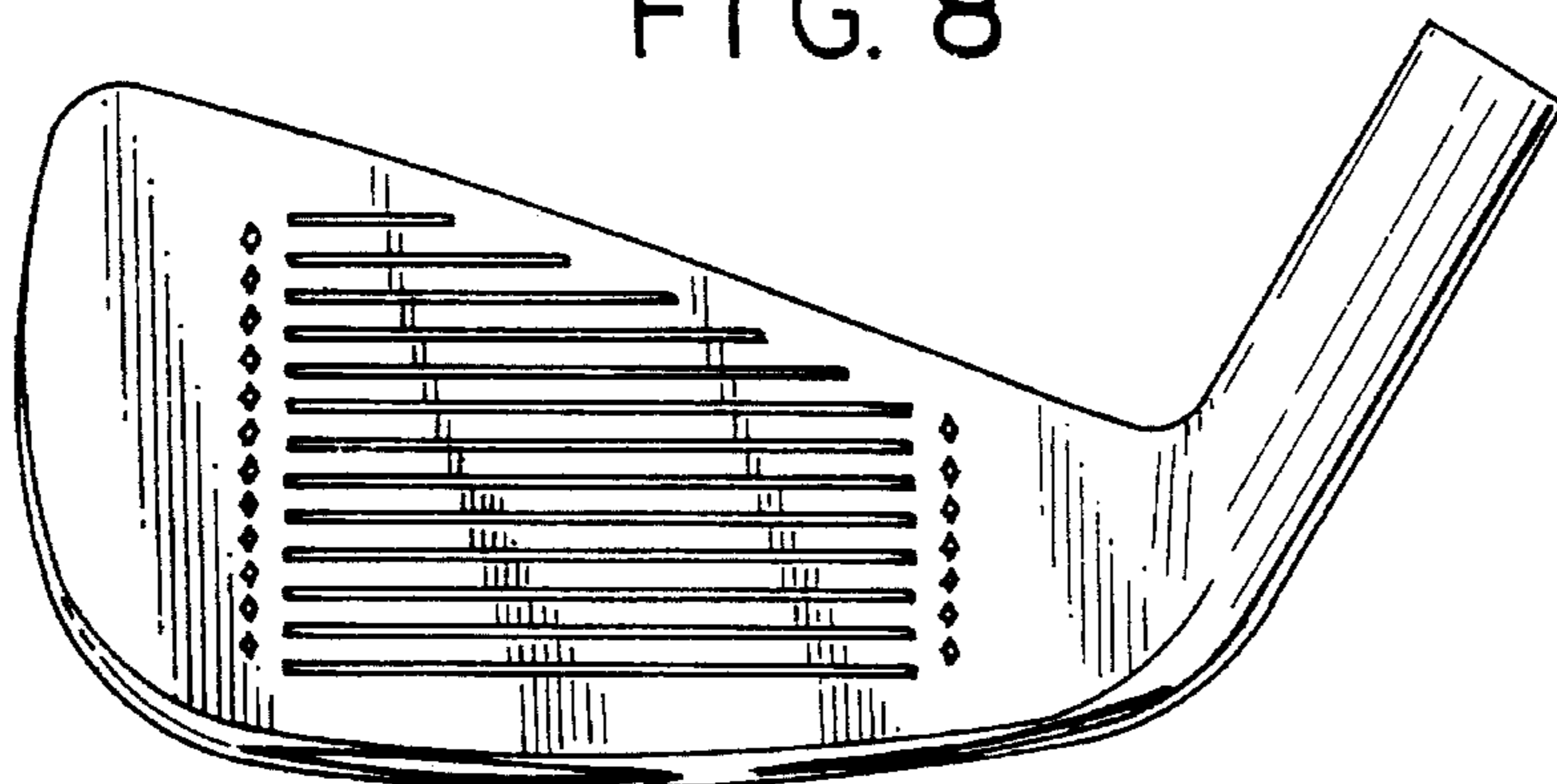


FIG. 14

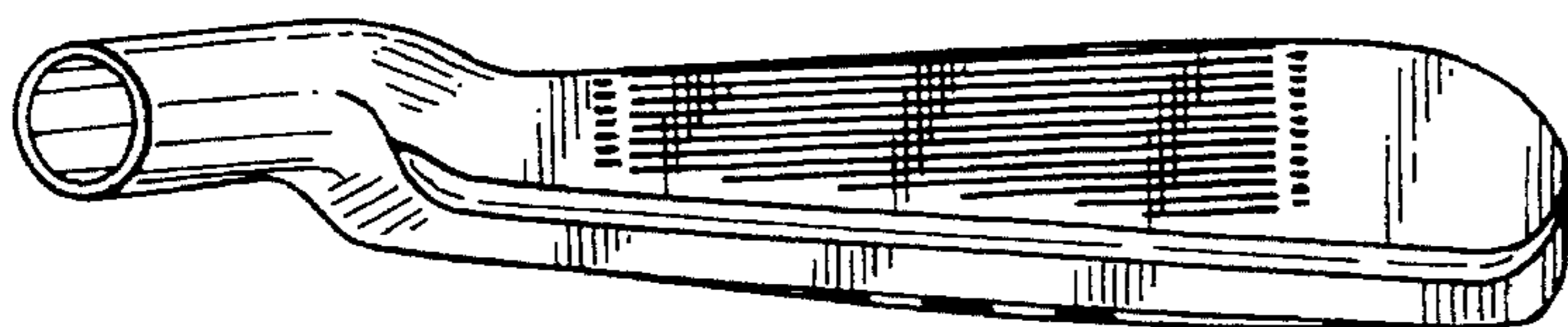


FIG. 16

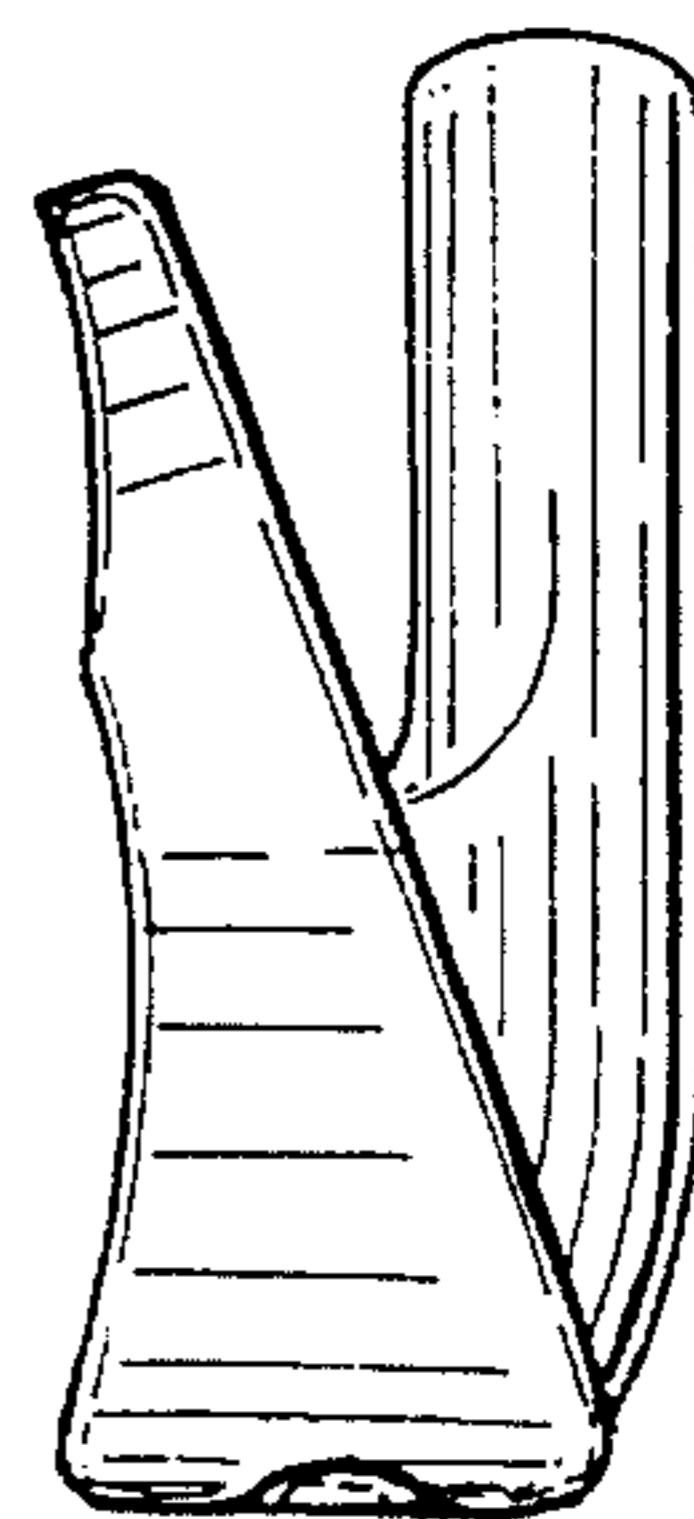


FIG. 15

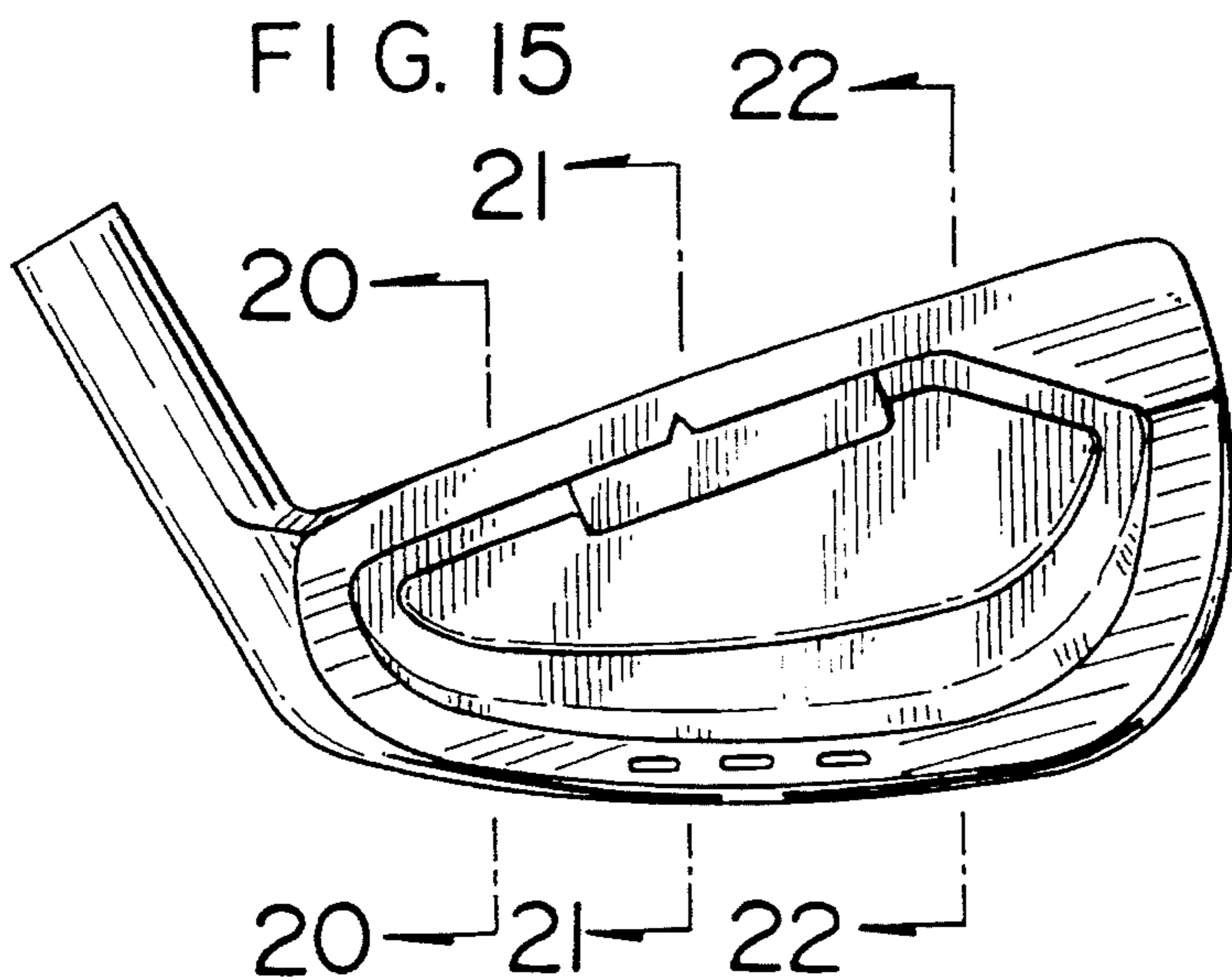


FIG. 17

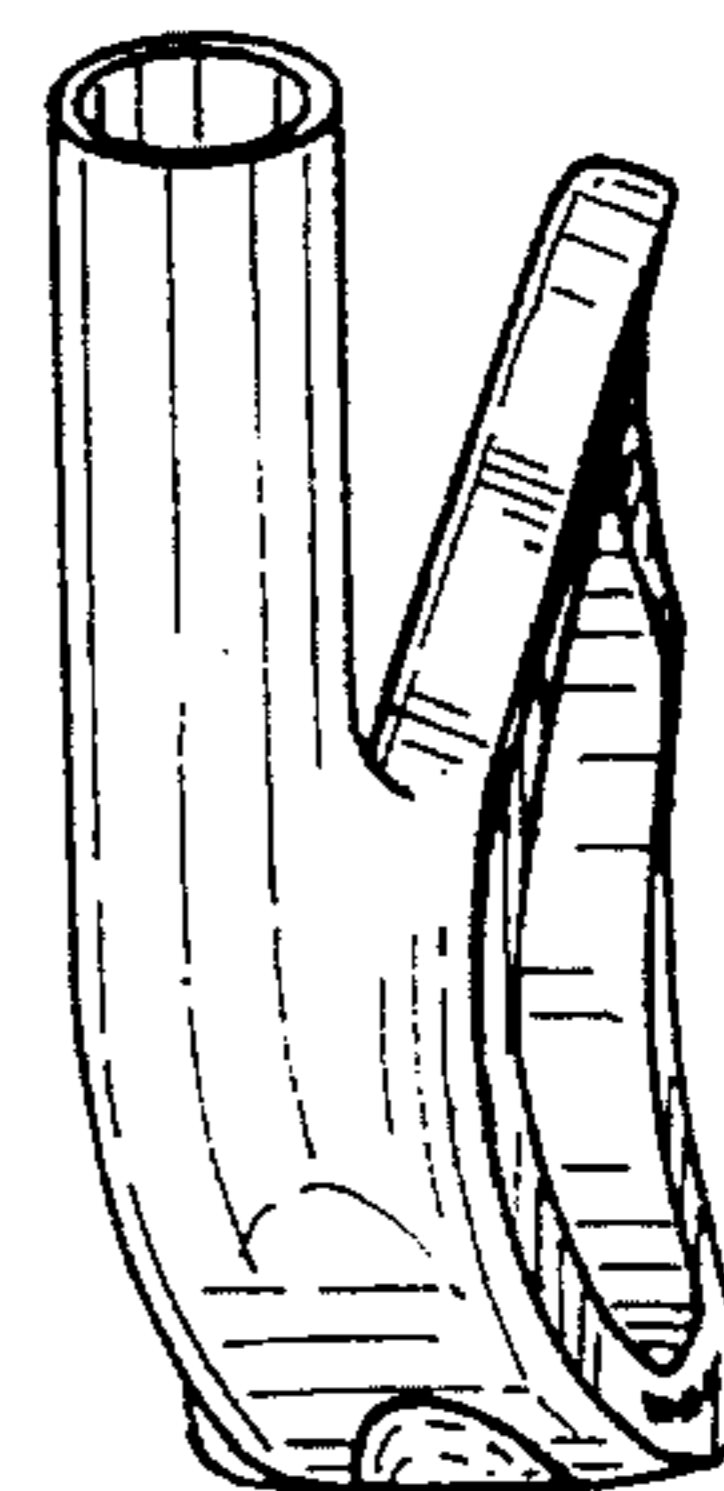


FIG. 18

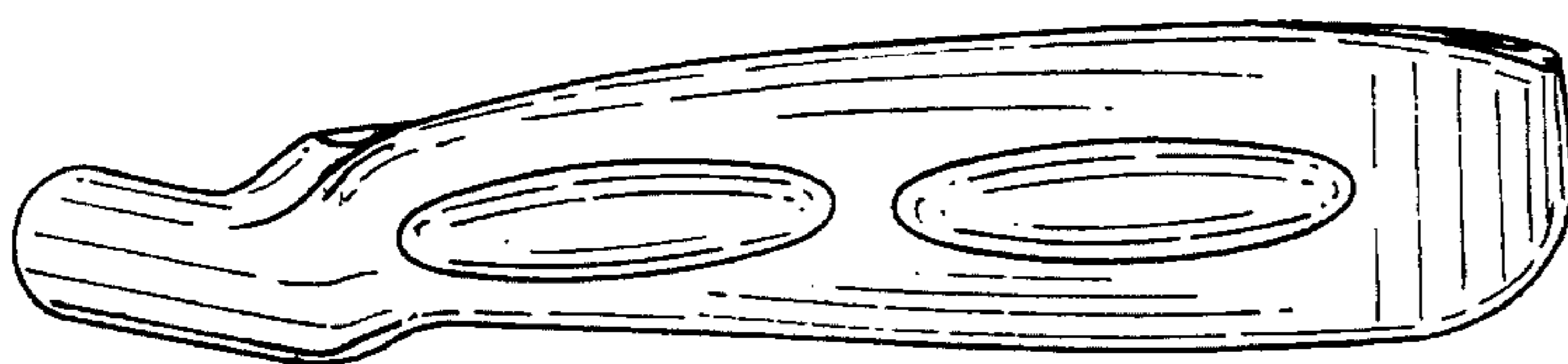


FIG. 19

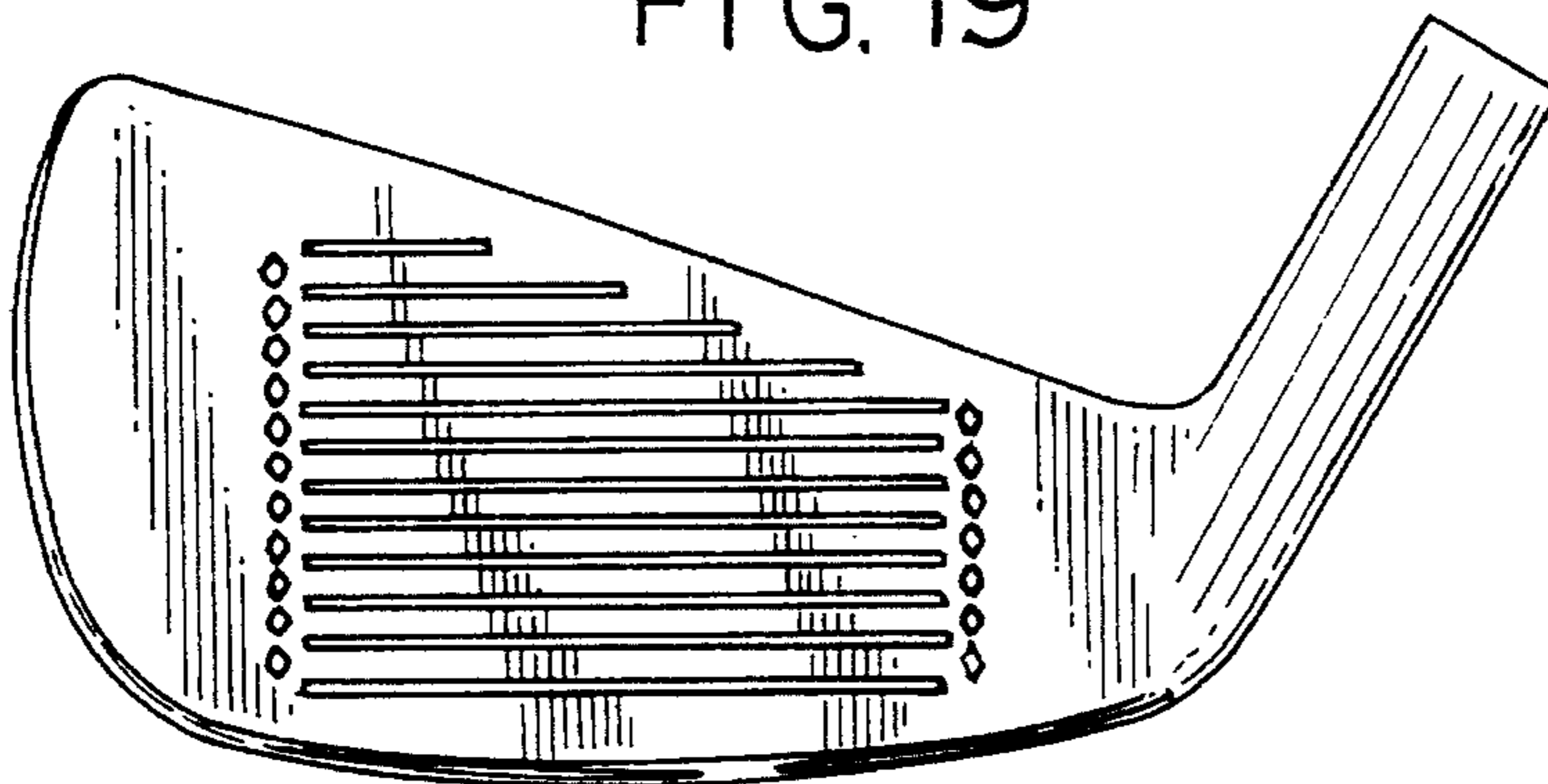


FIG. 12

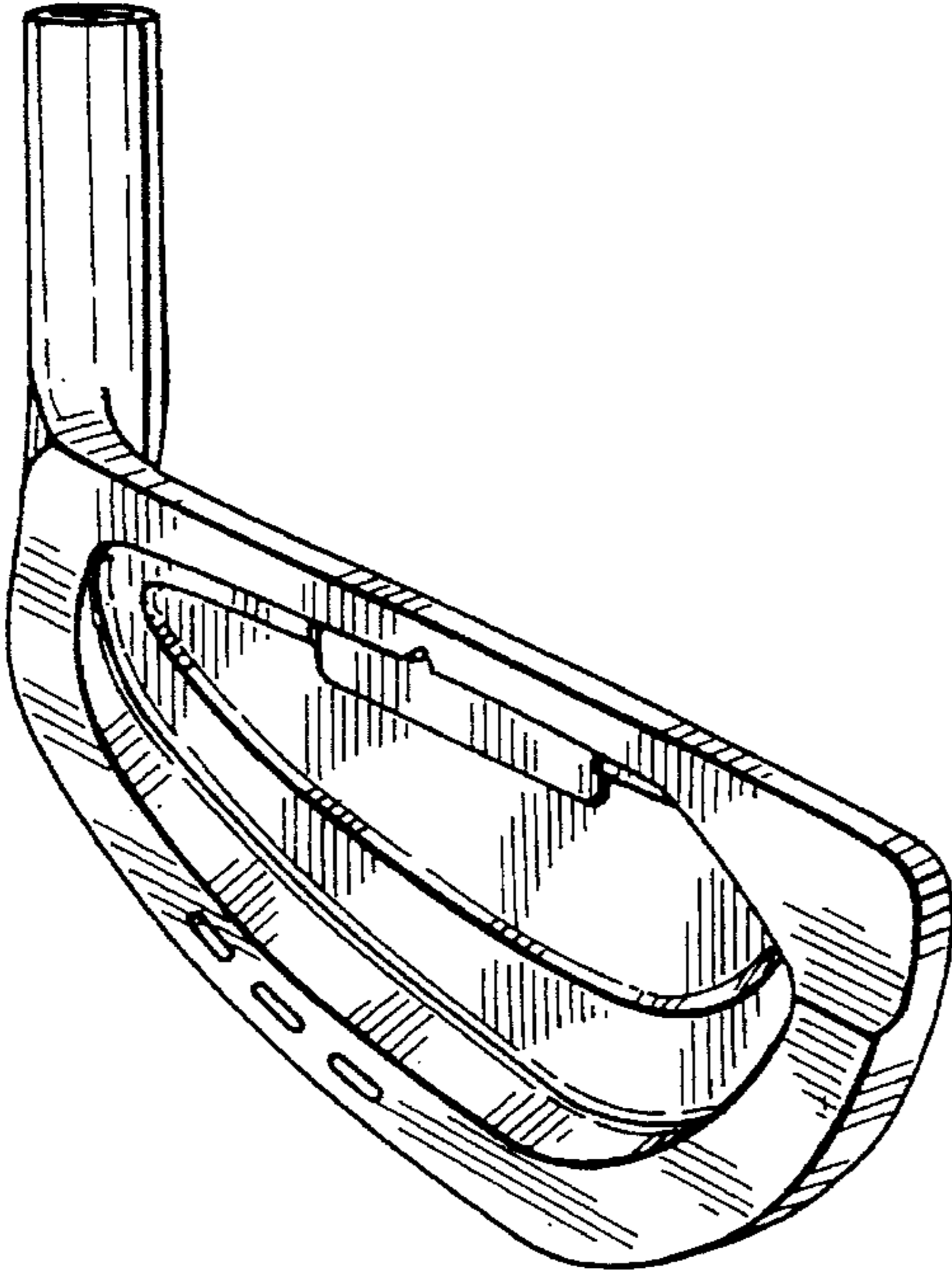


FIG. 13

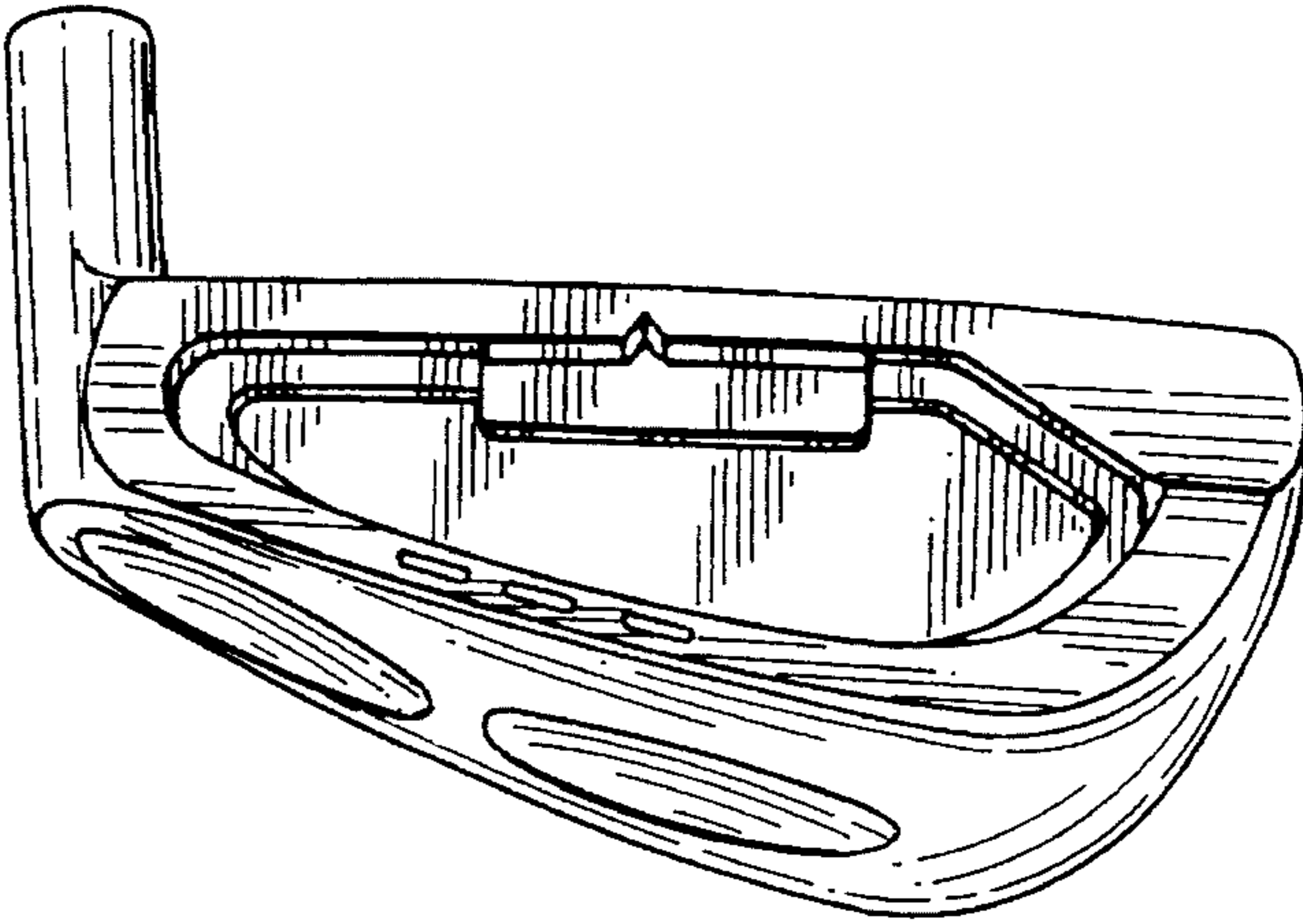


FIG. 20

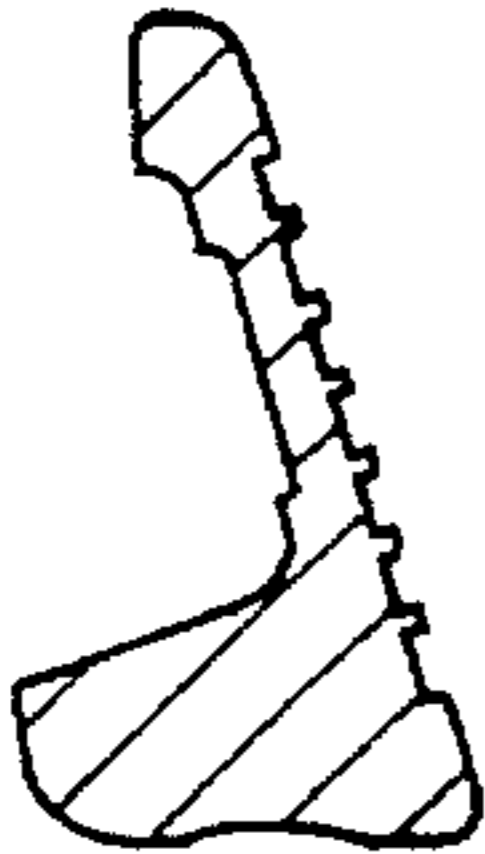


FIG. 21

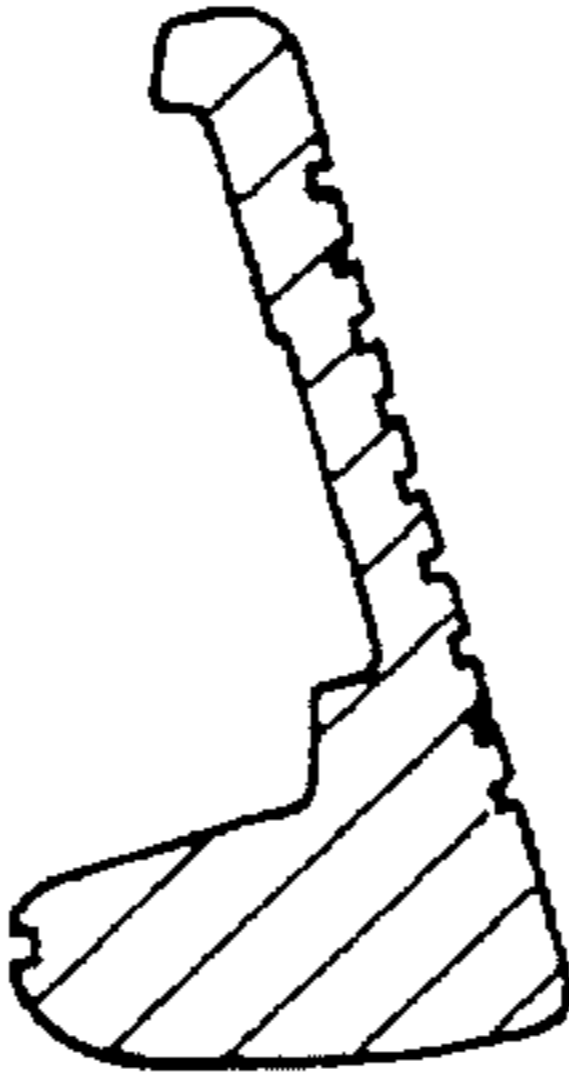


FIG. 22

