



US00D366077S

United States Patent [19]
Hung

[11] **Patent Number:** **Des. 366,077**

[45] **Date of Patent:** ****Jan. 9, 1996**

[54] **TREADMILL**

[76] Inventor: **Michael Hung**, 9-16, Nan Kan Hsia,
Nan Kan, Lu Chu Hsiang, Tao Yuan
County, Taiwan

[**] Term: **14 Years**

[21] Appl. No.: **16,647**

[22] Filed: **Dec. 21, 1993**

[52] U.S. Cl. **D21/192**

[58] Field of Search D21/191, 192,
D21/193, 194, 195; 482/51, 52, 54

[56] **References Cited**

U.S. PATENT DOCUMENTS

D. 282,386	1/1986	Dealey et al.	D21/192
D. 283,239	4/1986	Smith et al.	D21/192
D. 289,668	5/1987	Gremonprez et al.	D21/192
D. 302,837	8/1989	Sherrard	D21/192
D. 303,414	9/1989	Armstrong et al.	D21/192
D. 315,765	3/1991	Measom et al.	D21/192

D. 316,124	4/1991	Dalebout et al.	D21/192
D. 321,734	11/1991	Dunham et al.	D21/192
D. 330,923	11/1992	Furline	D21/192

Primary Examiner—Ted Shooman
Assistant Examiner—Philip Hyder
Attorney, Agent, or Firm—Wenderoth, Lind & Ponac

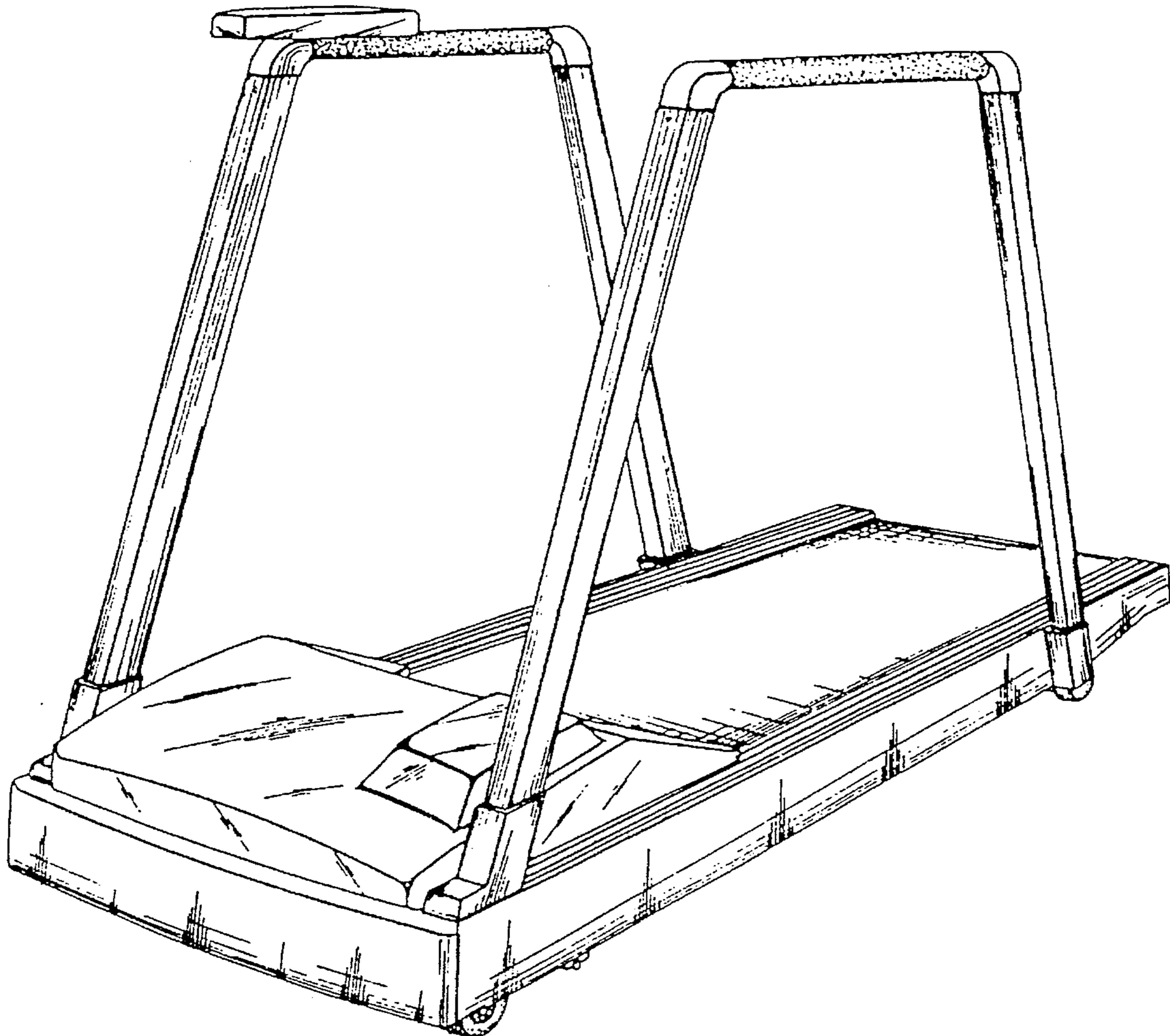
[57] **CLAIM**

The ornamental design for a treadmill, as shown and described.

DESCRIPTION

FIG. 1 is a top, left front perspective view of a treadmill showing my new design;
FIG. 2 is a front elevational view thereof;
FIG. 3 is a rear elevational view thereof;
FIG. 4 is a left side elevational view thereof;
FIG. 5 is a right side elevational view thereof;
FIG. 6 is a top plan view thereof; and,
FIG. 7 is a bottom plan view thereof.

1 Claim, 4 Drawing Sheets



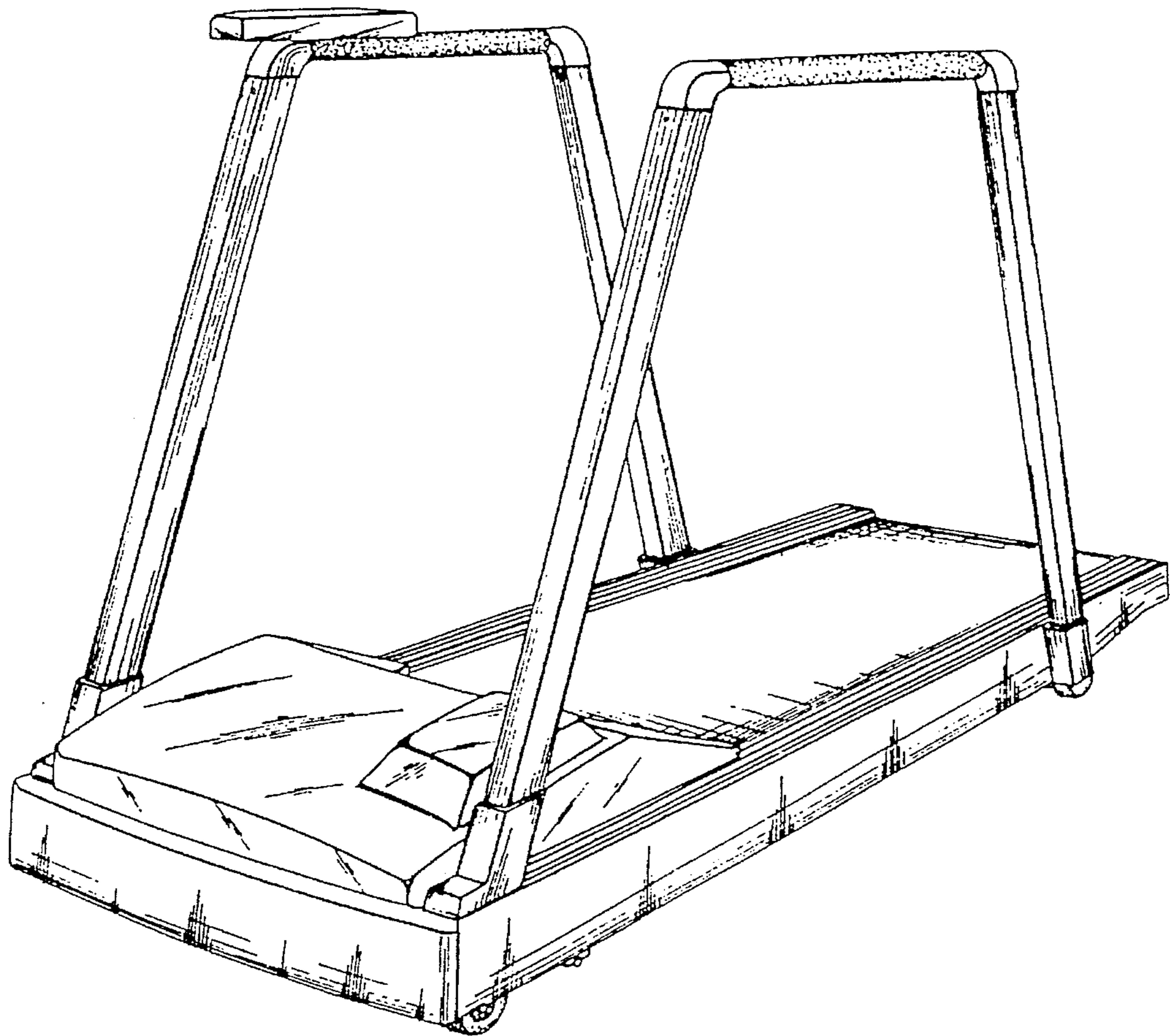


FIG. 1

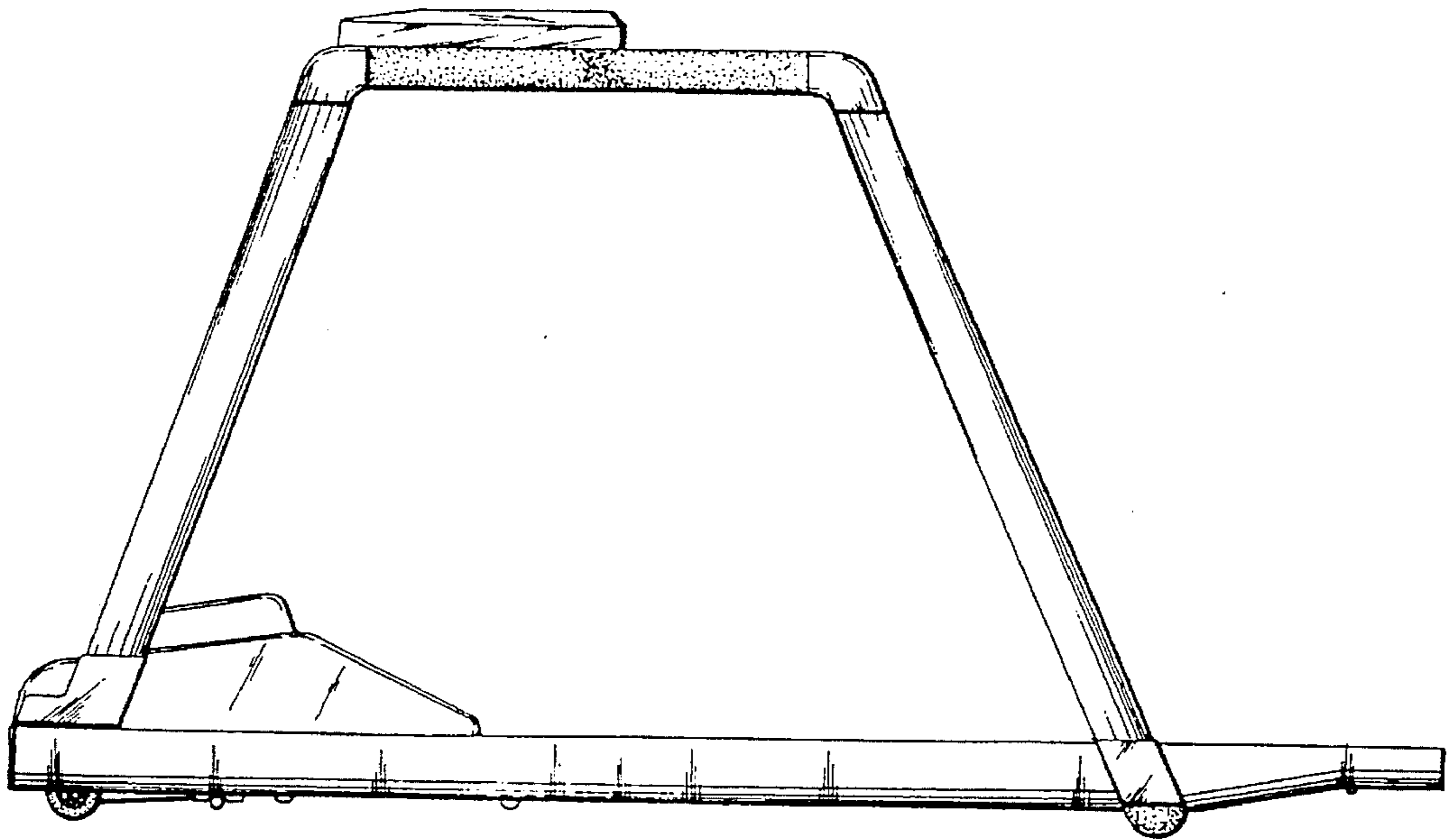


FIG. 2

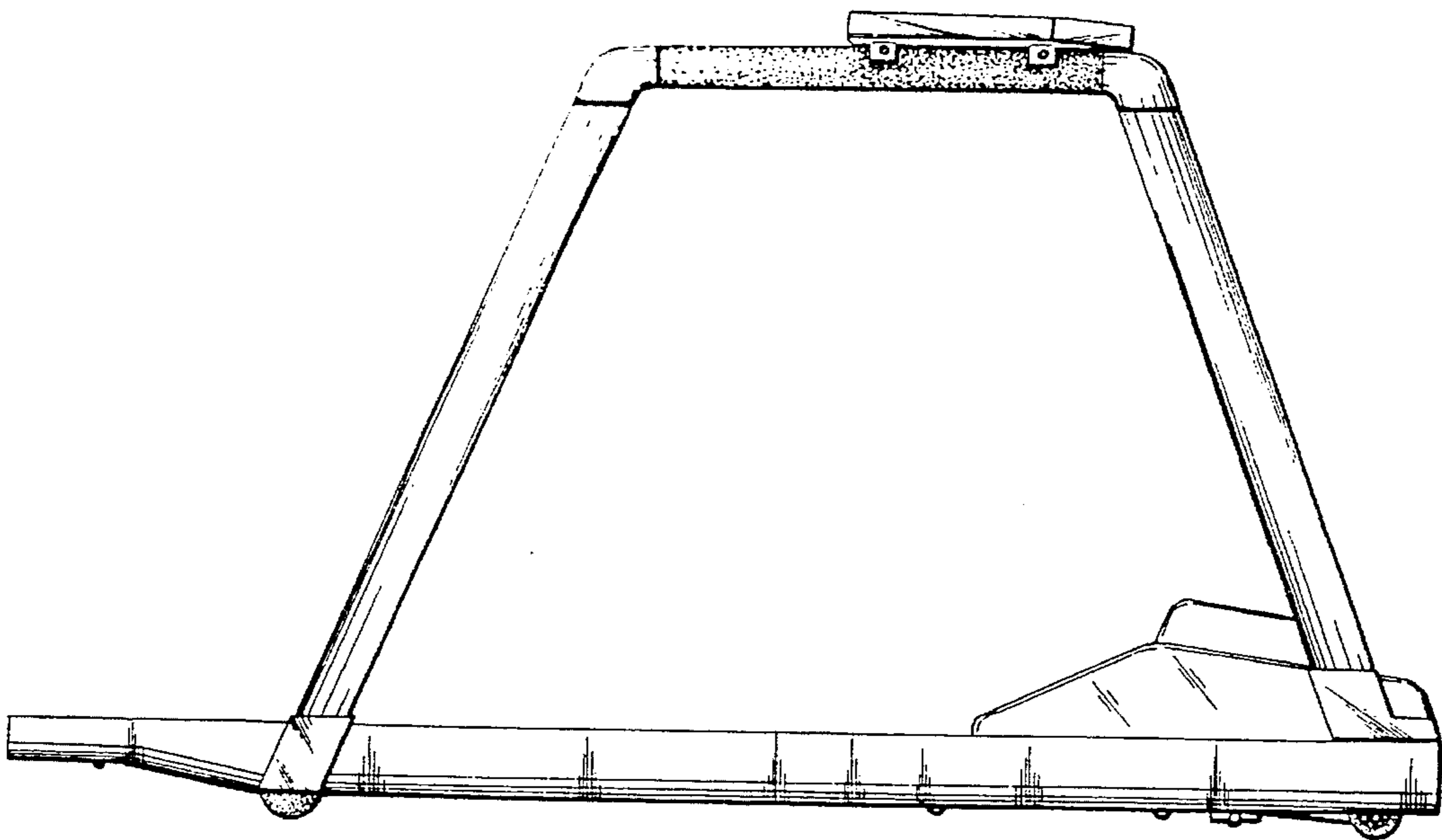


FIG. 3

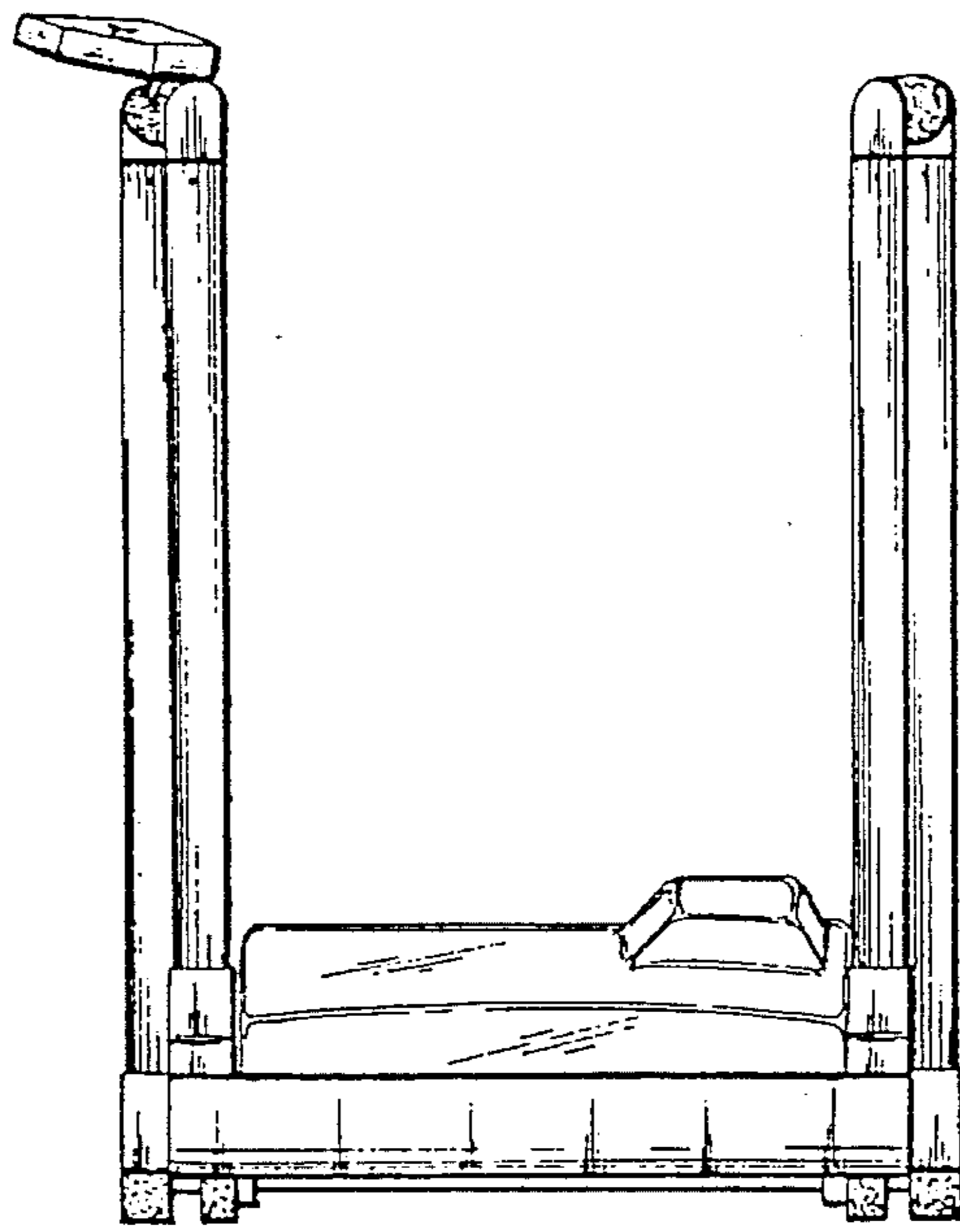


FIG. 4

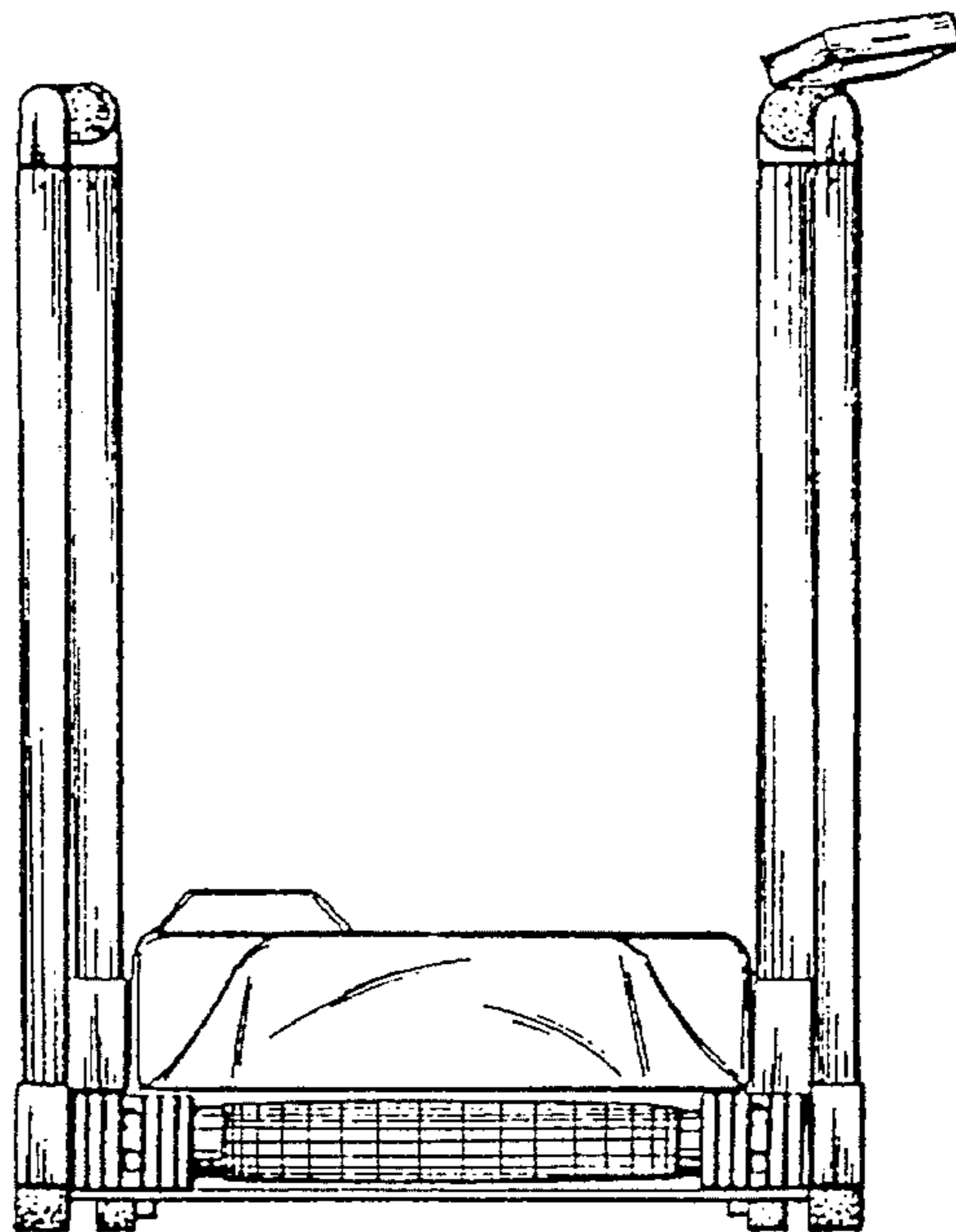


FIG. 5

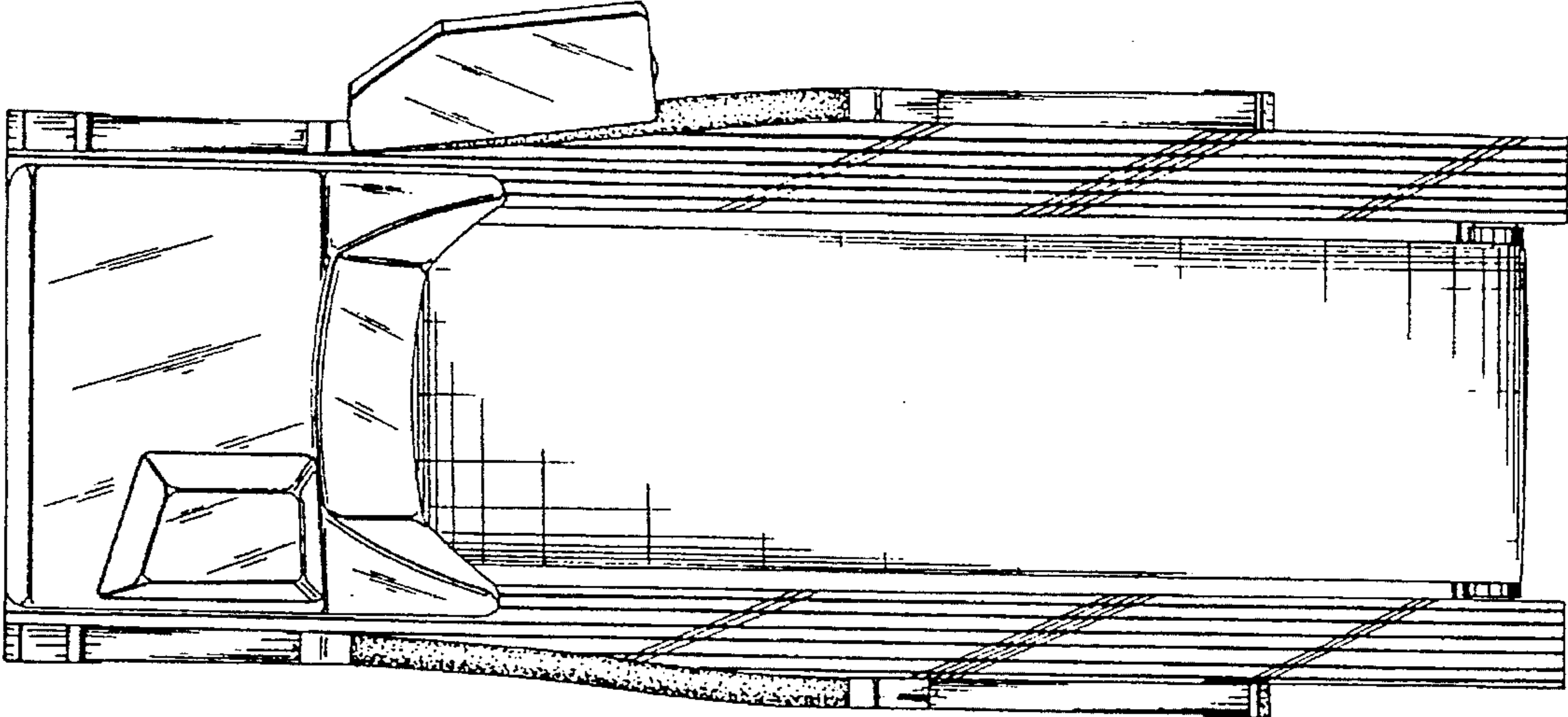


FIG. 6

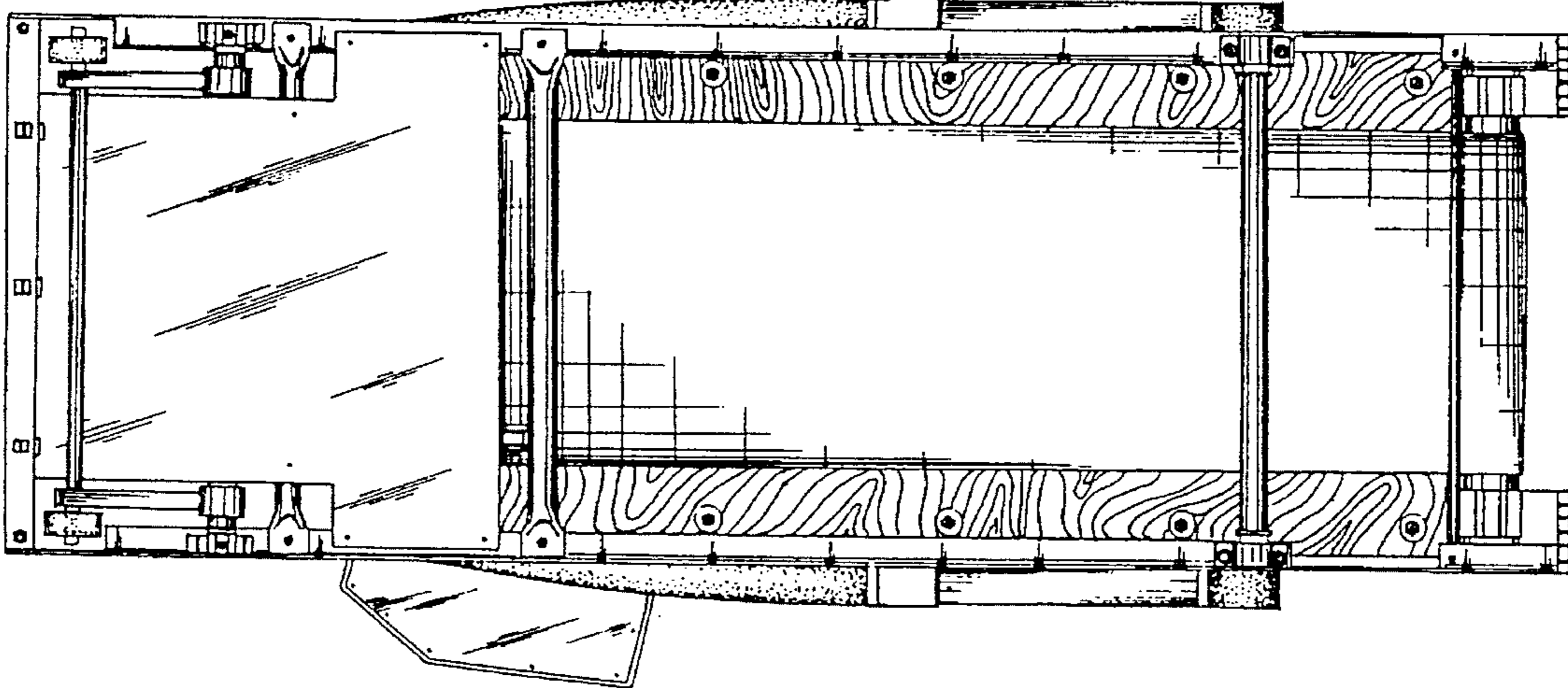


FIG. 7