



US00D366071S

United States Patent [19]
Harrod

[11] **Patent Number: Des. 366,071**
[45] **Date of Patent: **Jan. 9, 1996**

[54] **RIDING TOY DUMP TRUCK**

Tomy Toy Catalog, 1984, p. Truck Top right side of page.

[75] Inventor: **Lawrence R. Harrod**, Fort Wayne, Ind.

Primary Examiner—Ted Shooman

[73] Assignee: **Mattel, Inc.**, El Segundo, Calif.

Assistant Examiner—R. Barkai

[**] Term: **14 Years**

Attorney, Agent, or Firm—Kolisich, Hartwell, Dickinson,
McCormack & Heuser

[21] Appl. No.: **27,287**

[57] **CLAIM**

[22] Filed: **Aug. 17, 1994**

The ornamental design for a riding toy dump truck, as shown.

[52] **U.S. Cl.** **D21/78**

[58] **Field of Search** D21/59, 71, 73-79,
D21/128, 132, 134, 136, 141, 137, 148,
188; 446/427, 428, 456, 465, 470; 280/1.13,
8.28, 87.021

DESCRIPTION

[56] **References Cited**

U.S. PATENT DOCUMENTS

D. 244,101	4/1977	Goldberg	D21/76
D. 271,315	11/1983	Nottingham et al.	D21/79
D. 292,009	9/1987	Harrod	D21/76
3,703,785	11/1972	Pfeilsticker	446/427

FIG. 1 is a perspective view of a riding toy dump truck showing my new design;

FIG. 2 is a right elevation thereof;

FIG. 3 is a left elevation thereof;

FIG. 4 is a top plan view thereof;

FIG. 5 is a bottom plan view thereof;

FIG. 6 is a front elevation thereof; and,

FIG. 7 is a rear elevation thereof.

OTHER PUBLICATIONS

Playthings, Feb. 1976 p. 271 Truck lower right side of page.
Just For Kids, Fall 1990 p. 34 Tractor & Cart lower left of page.

1 Claim, 6 Drawing Sheets

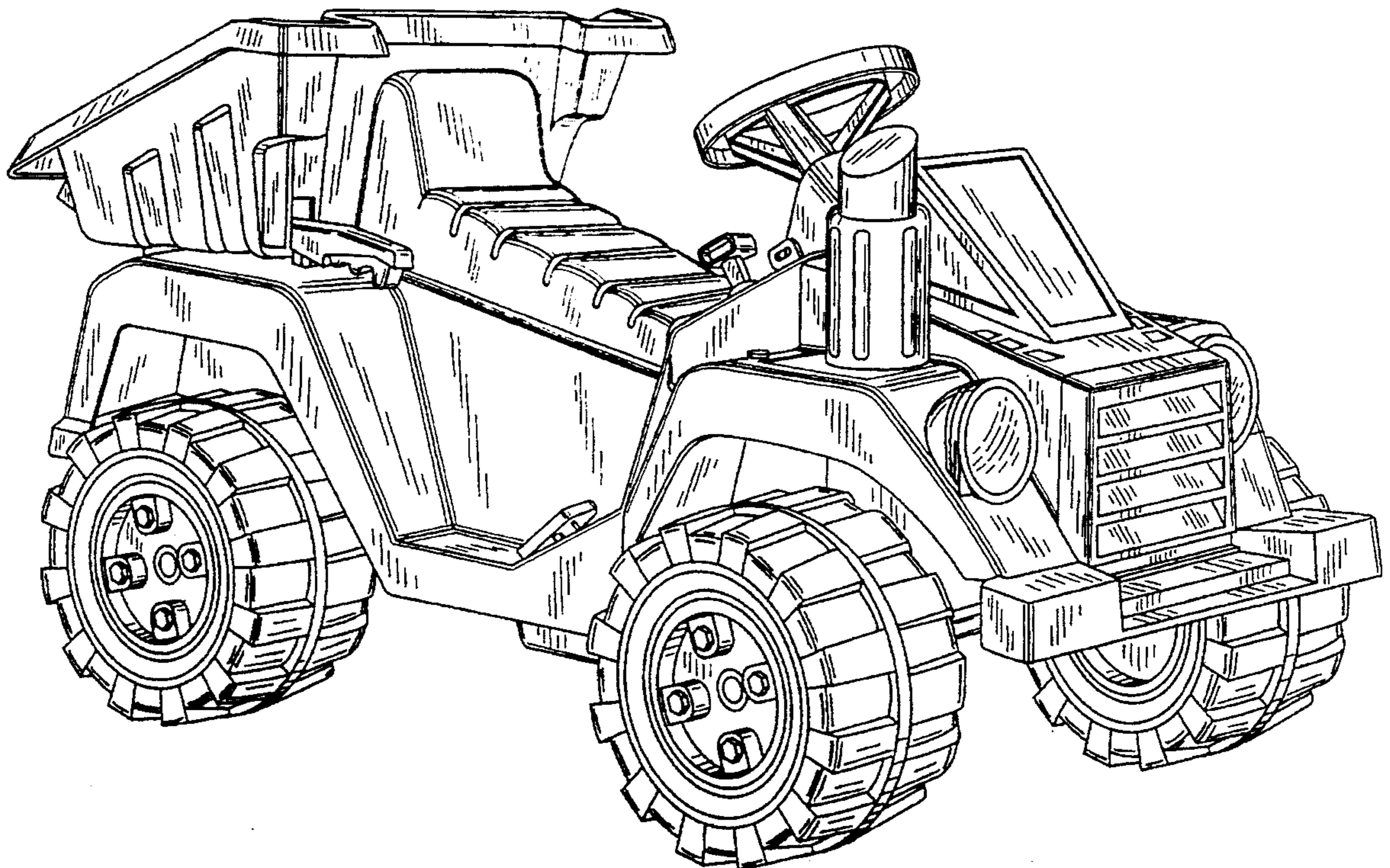
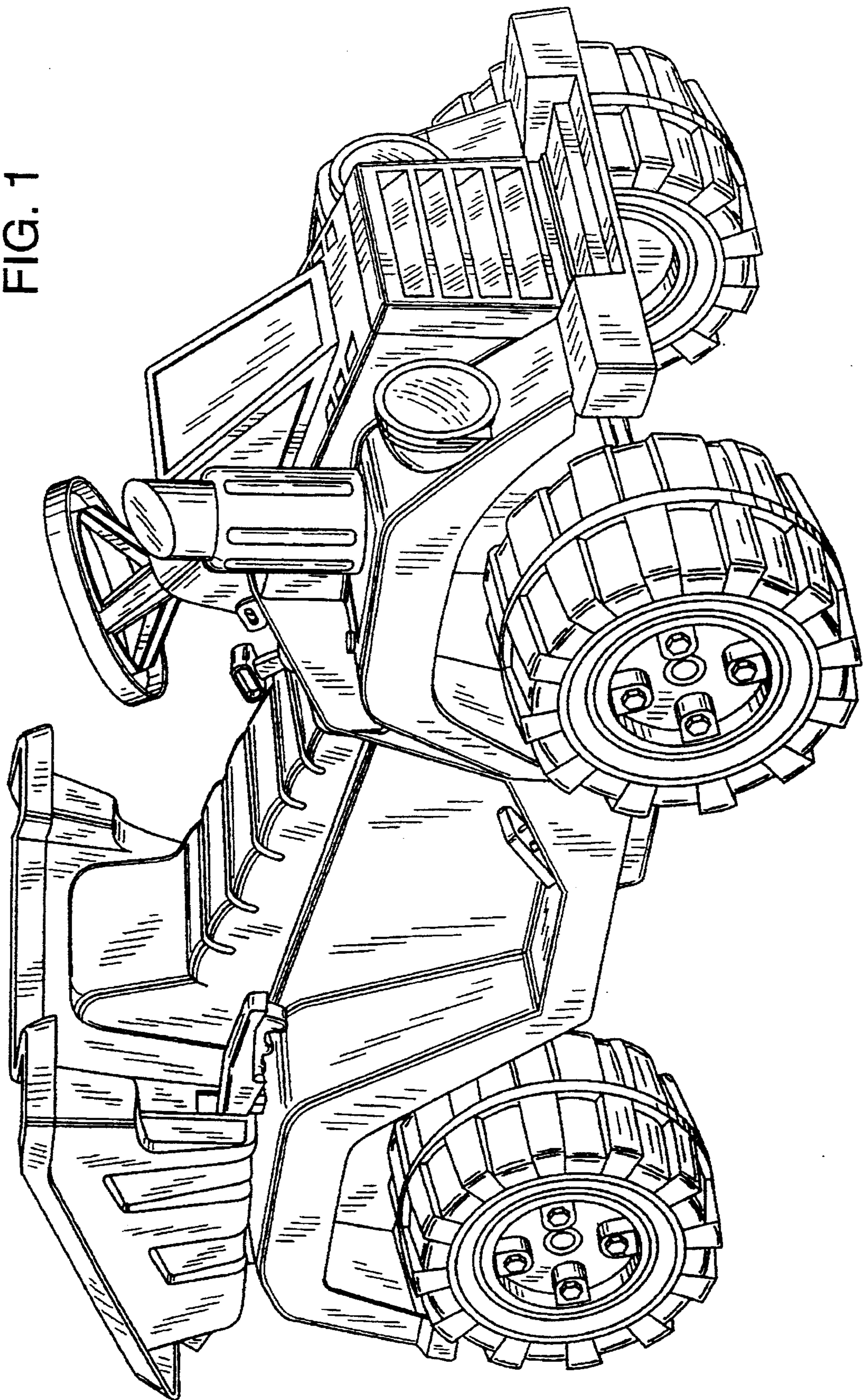


FIG. 1



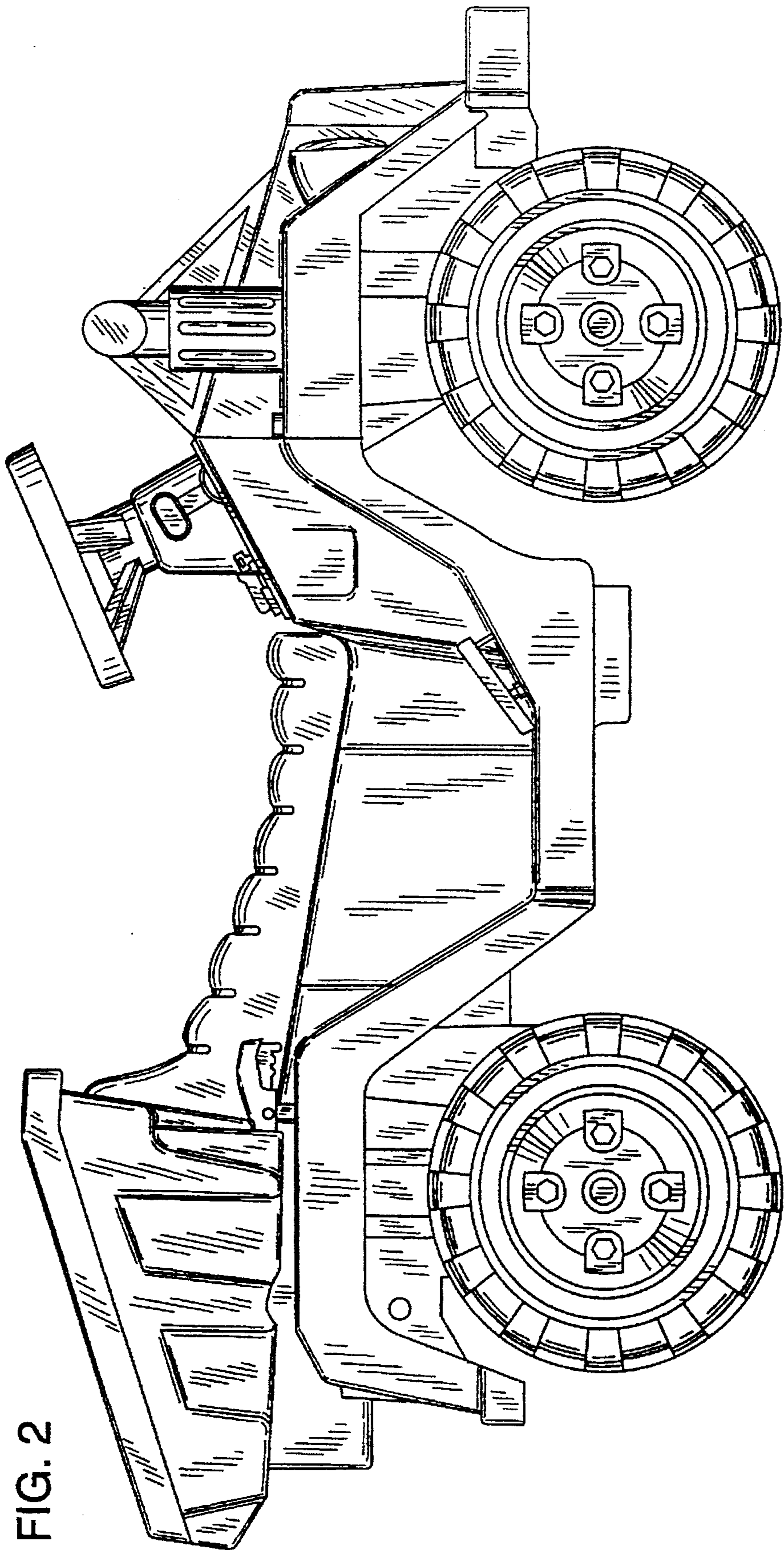


FIG. 2

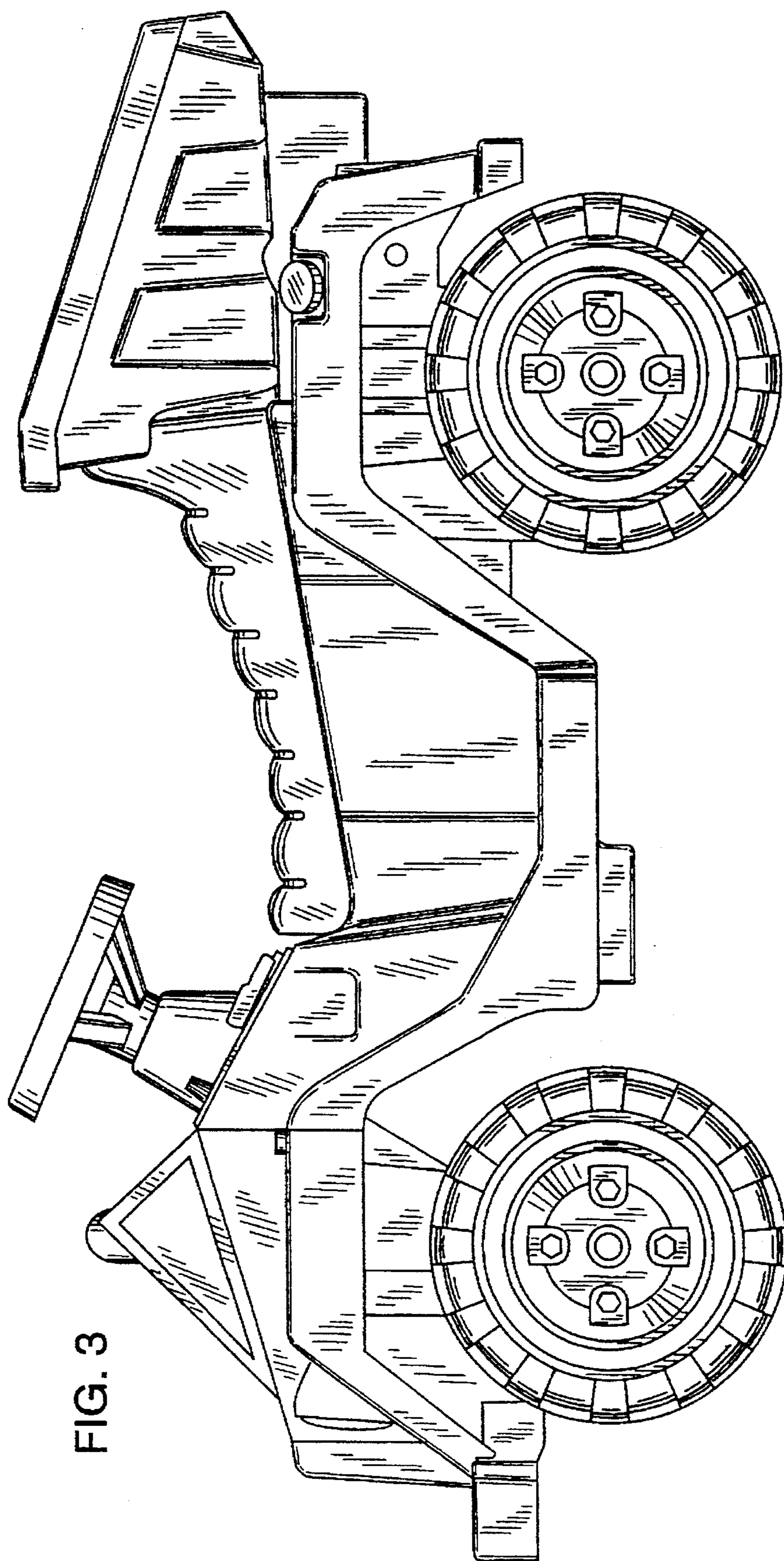


FIG. 3

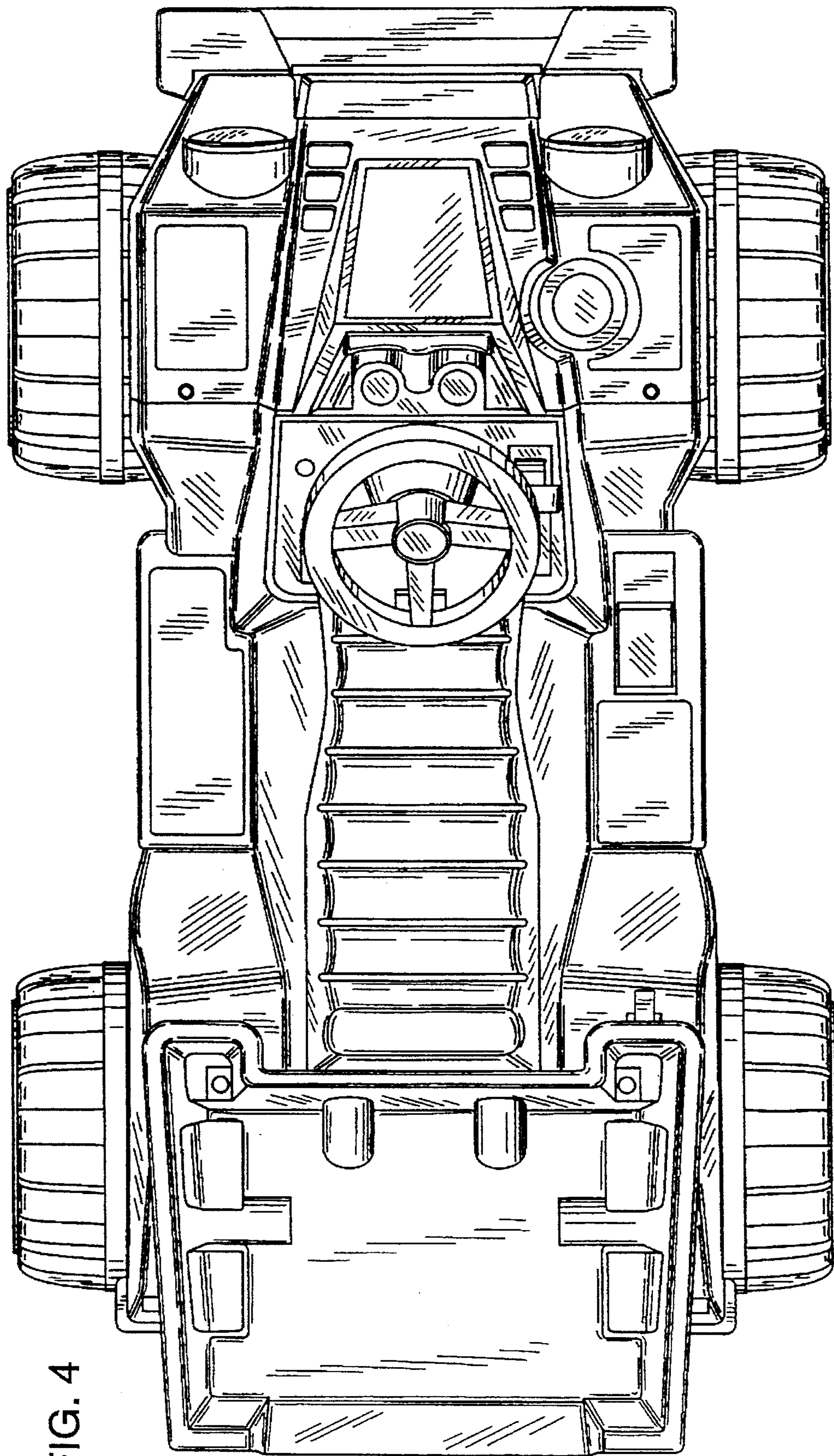


FIG. 4

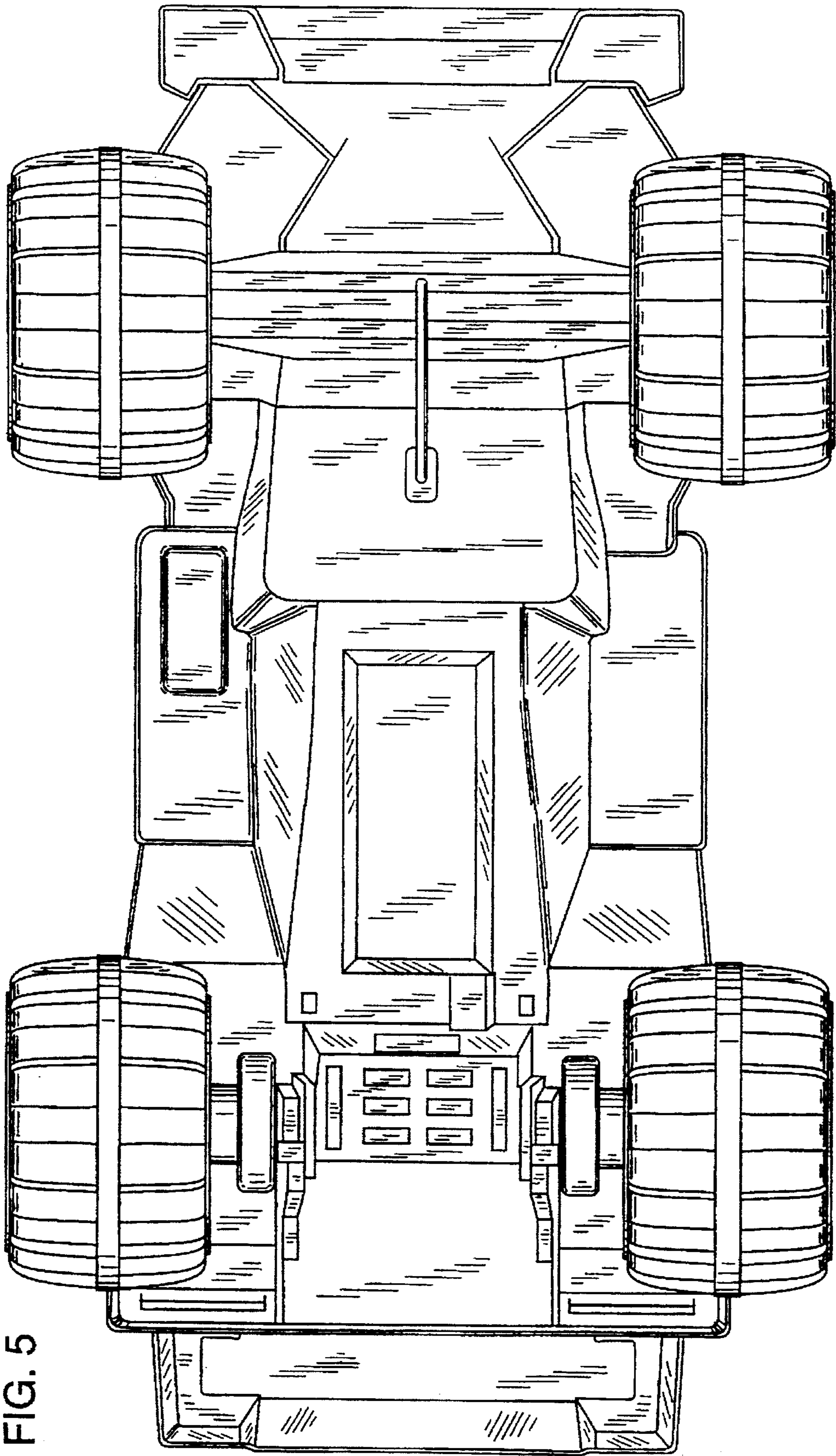


FIG. 5

FIG. 6

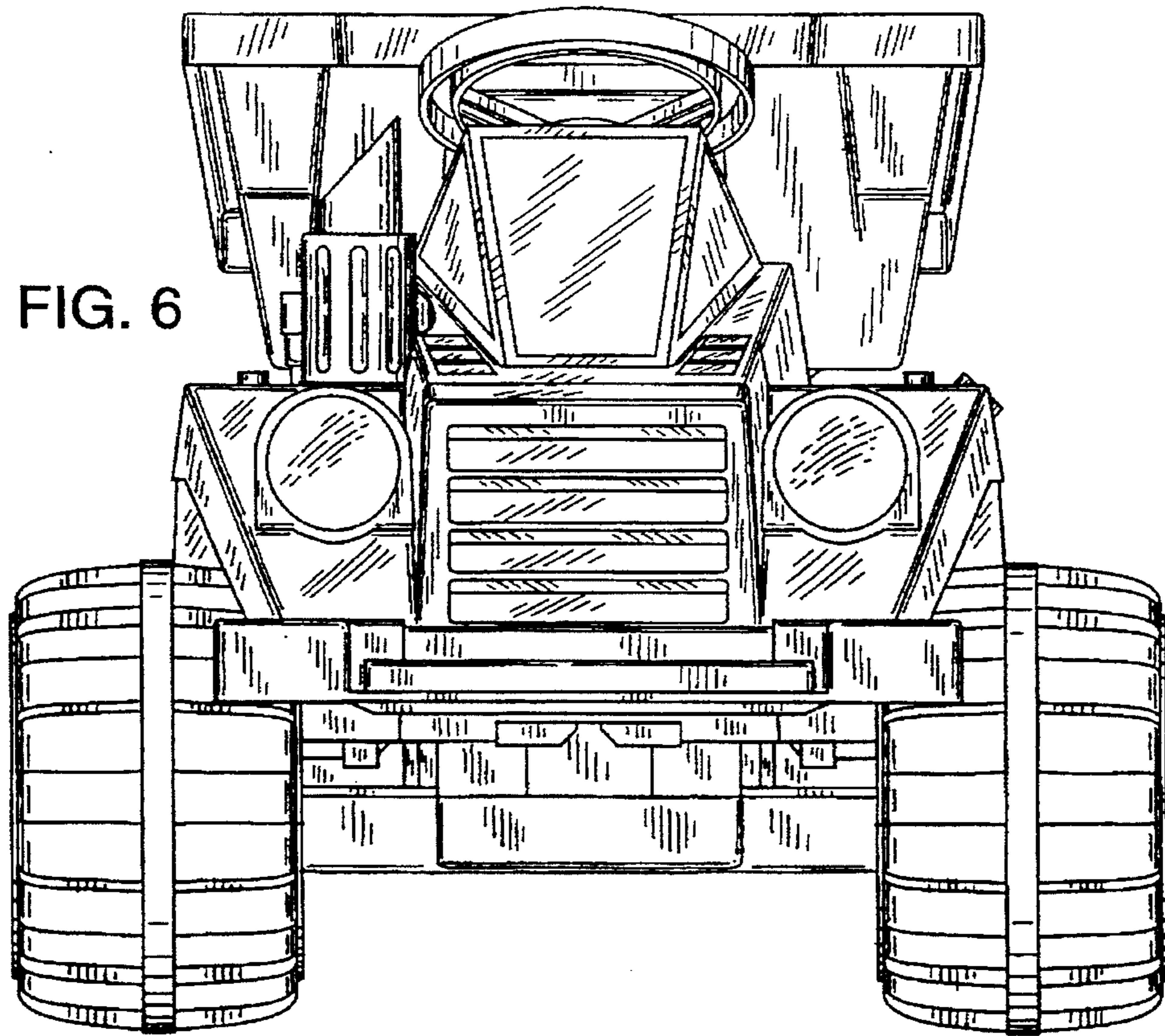


FIG. 7

