



US00D366070S

United States Patent [19]

[11] Patent Number: **Des. 366,070**

Fermaglich et al.

[45] Date of Patent: ****Jan. 9, 1996**

[54] **BABY EXERCISER AND ACTIVITY CENTER**

[75] Inventors: **Daniel R. Fermaglich; Lois F. Fermaglich**, both of Mountain Lakes,, N.J.

[73] Assignee: **Pediasafe Products, Inc.**, West Greenwich, R.I.

[**] Term: **14 Years**

[21] Appl. No.: **23,801**

[22] Filed: **Jun. 1, 1994**

[52] U.S. Cl. **D21/66; D6/344; D12/130**

[58] Field of Search **D21/59, 63, 46, D21/71, 247; D6/344; D12/128, 130, 133; 472/25, 135; 5/105, 108**

[56] **References Cited**

U.S. PATENT DOCUMENTS

| | | | |
|------------|---------|--------------------|---------|
| 71,220 | 11/1867 | Rohr . | |
| 82,304 | 9/1868 | Geisler . | |
| D. 217,375 | 4/1970 | Lohr et al. | 472/135 |
| D. 320,528 | 10/1991 | Bernstein et al. . | |
| D. 355,939 | 2/1995 | Meeker et al. | D21/66 |
| D. 356,531 | 3/1995 | Valenti | D21/63 |
| 451,128 | 4/1891 | Lawson . | |
| 839,681 | 12/1906 | Voight, Sr. . | |

| | | | |
|-----------|---------|---------------------|---------|
| 875,377 | 12/1907 | Pilia et al. . | |
| 1,437,179 | 11/1922 | Herson . | |
| 1,469,436 | 10/1923 | Foraia . | |
| 2,560,963 | 7/1951 | Kornegay | 472/135 |
| 3,049,350 | 8/1962 | Walker . | |
| 3,127,170 | 3/1964 | Caster . | |
| 4,084,273 | 4/1978 | Haynes | 5/105 |
| 4,743,008 | 5/1988 | Fermaglich et al. . | |
| 5,085,428 | 2/1992 | Fermaglich et al. . | |
| 5,211,607 | 5/1993 | Fermaglich et al. . | |
| 5,302,163 | 4/1994 | Fermaglich et al. . | |

Primary Examiner—Dominic Simone
Attorney, Agent, or Firm—Ralph W. Selitto, Jr.

[57] **CLAIM**

The ornamental design for a baby exerciser and activity center, as shown.

DESCRIPTION

FIG. 1 is a front perspective view of a baby exerciser and activity center showing our new design; FIG. 2 is a side elevational view thereof, the opposite side being a mirror image of FIG. 2; FIG. 3 is a rear elevational view thereof; FIG. 4 is a front elevational view thereof; FIG. 5 is a top plan view thereof; and, FIG. 6 is a bottom plan view thereof.

1 Claim, 4 Drawing Sheets

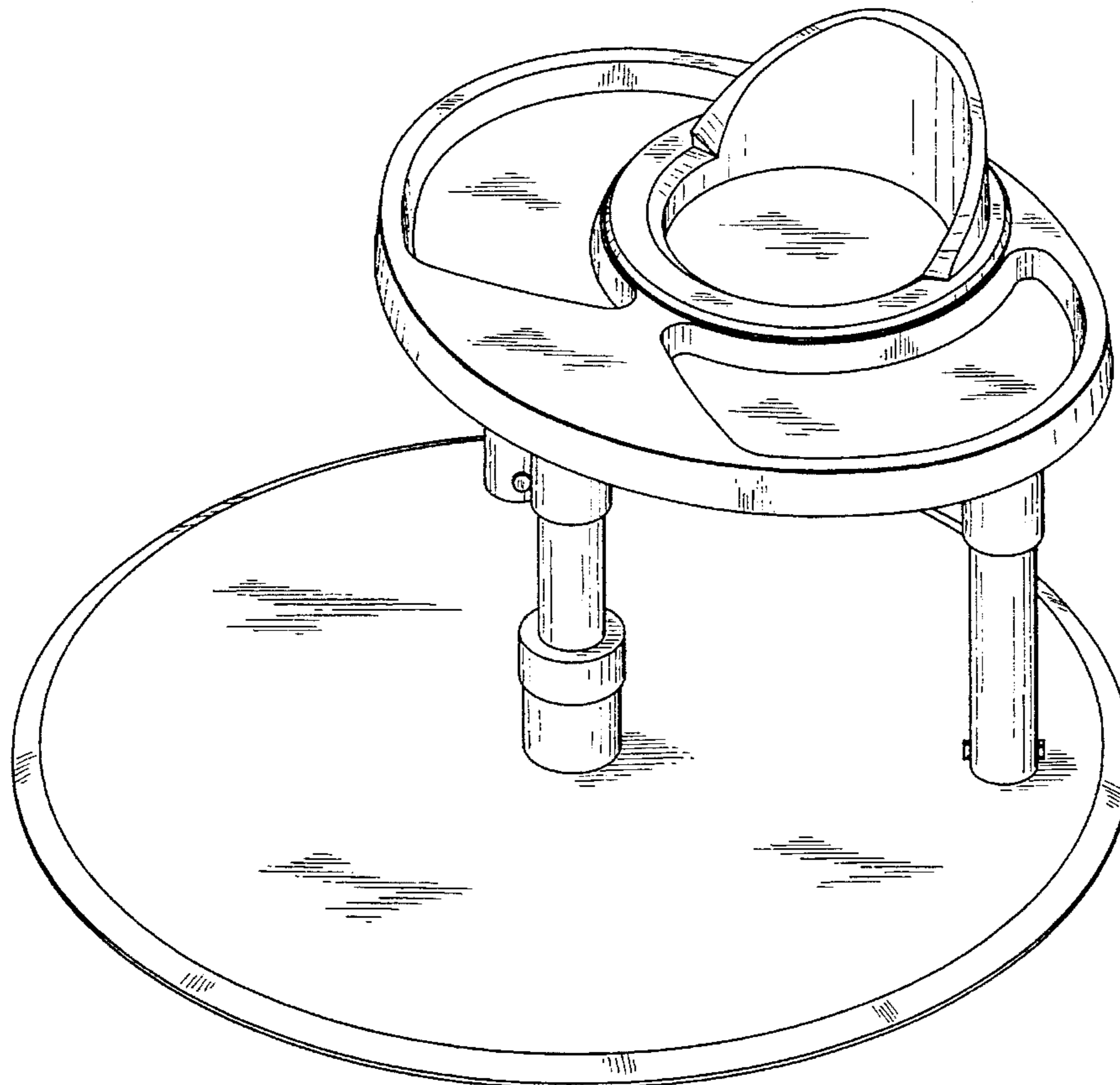


FIG. 1

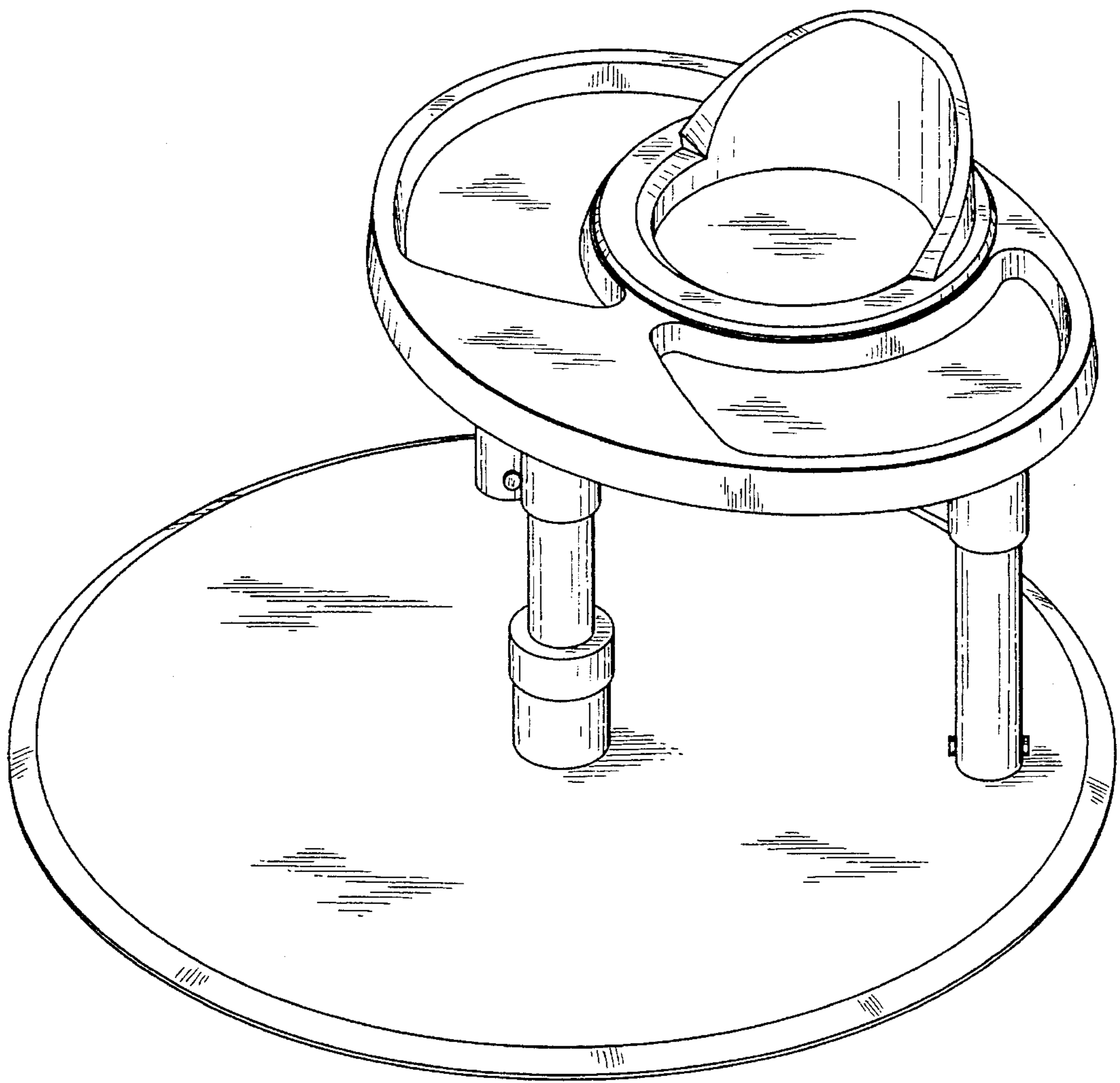


FIG. 2

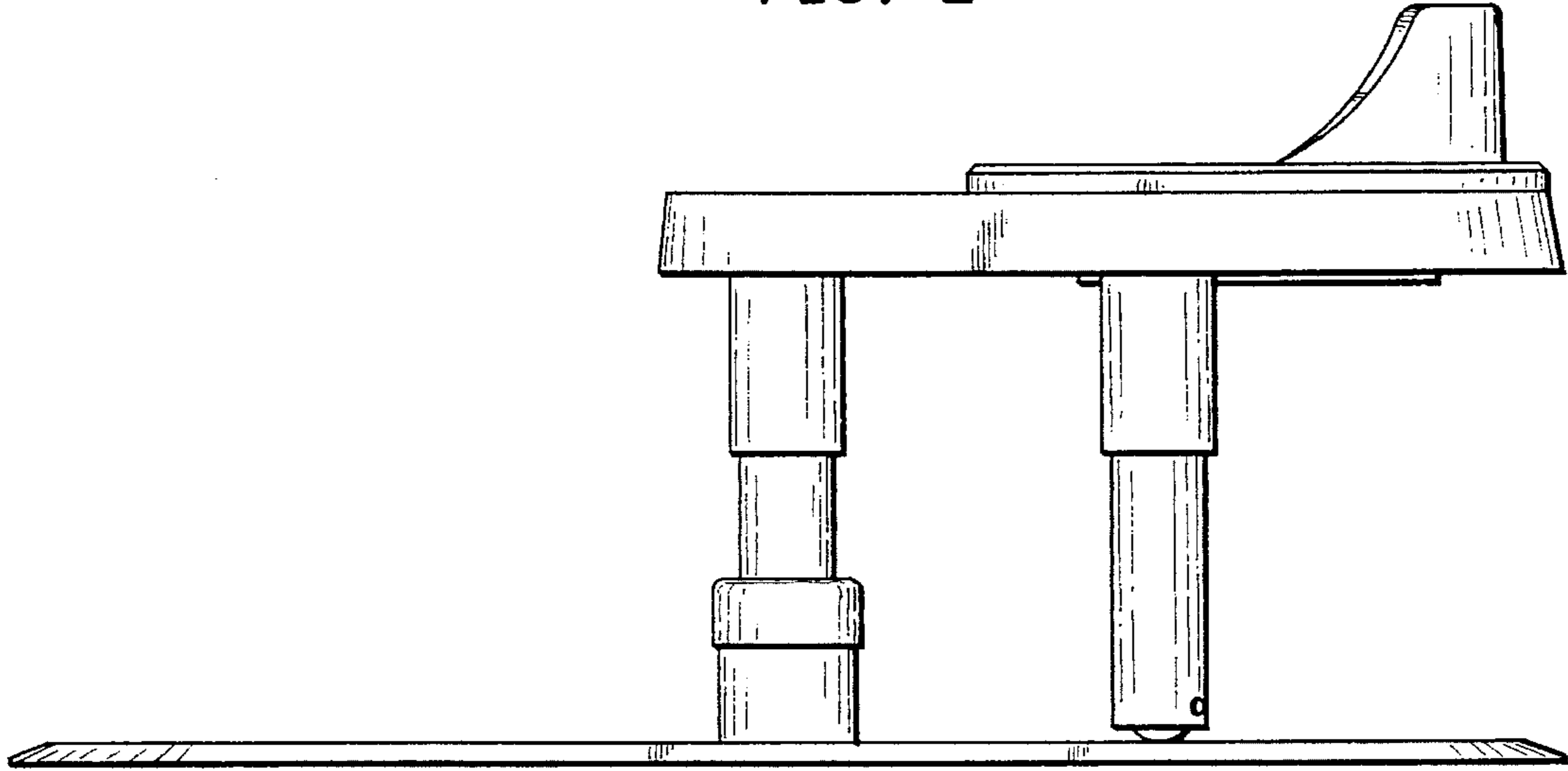


FIG. 3

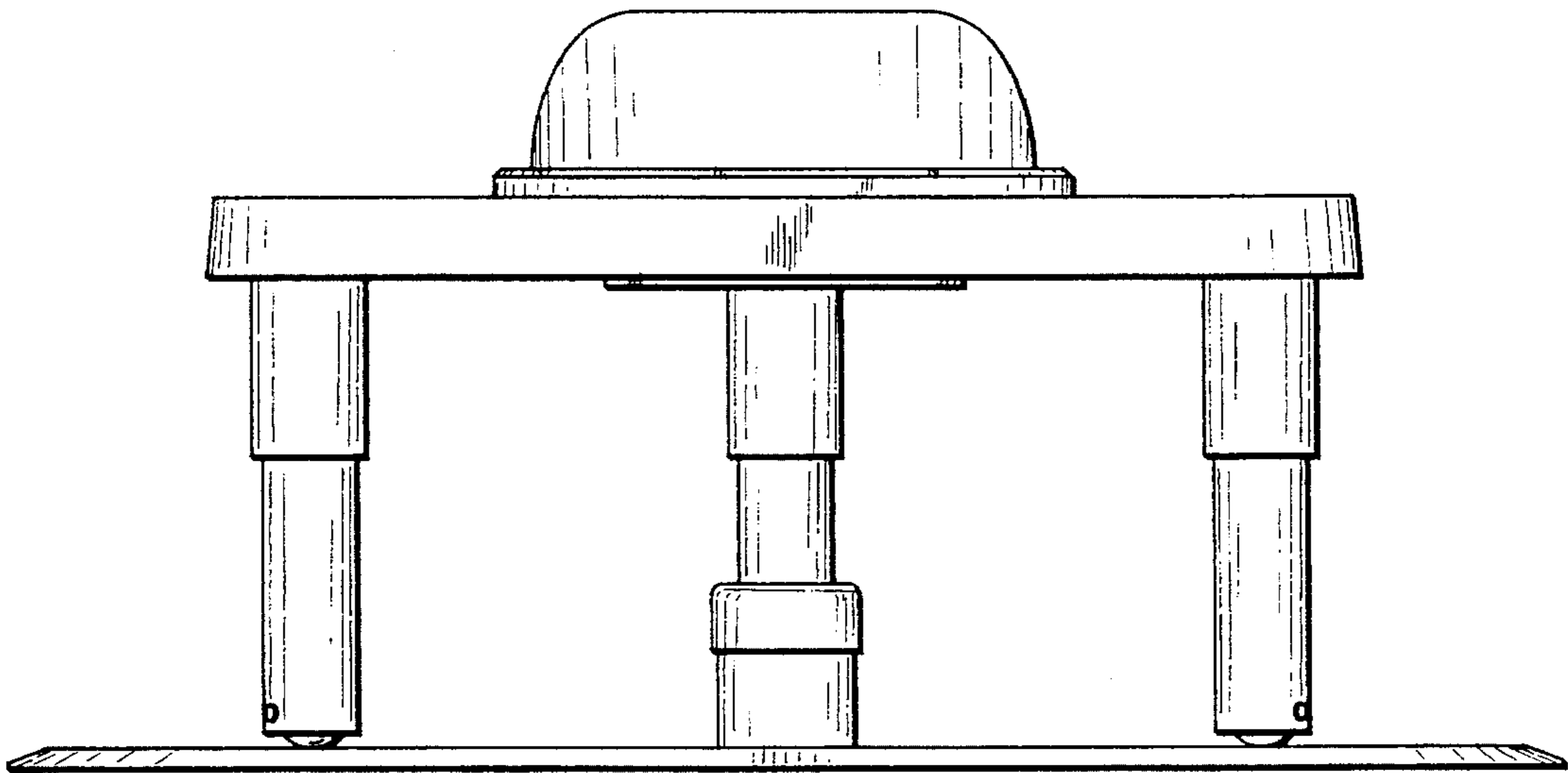


FIG. 4

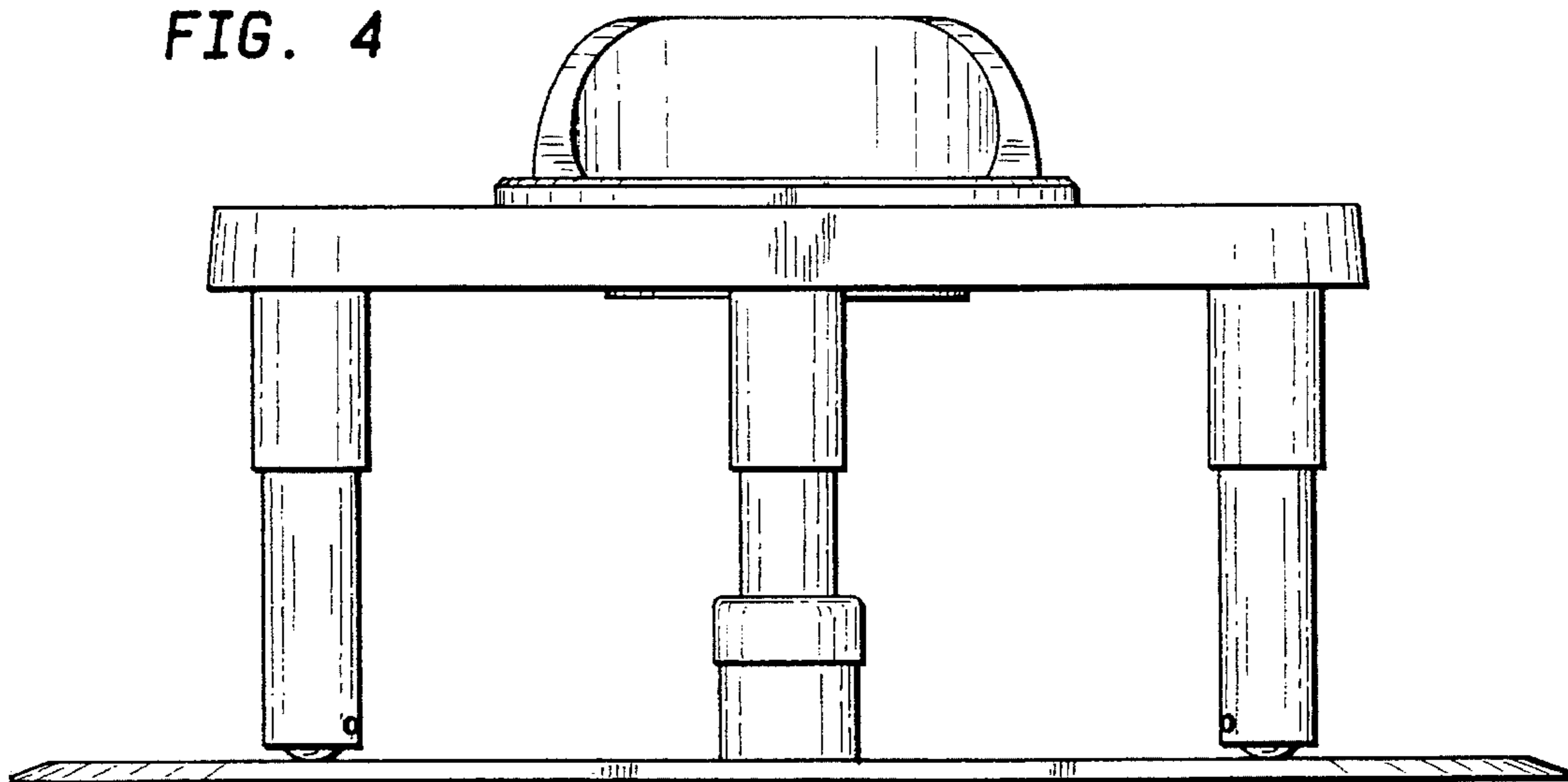


FIG. 5

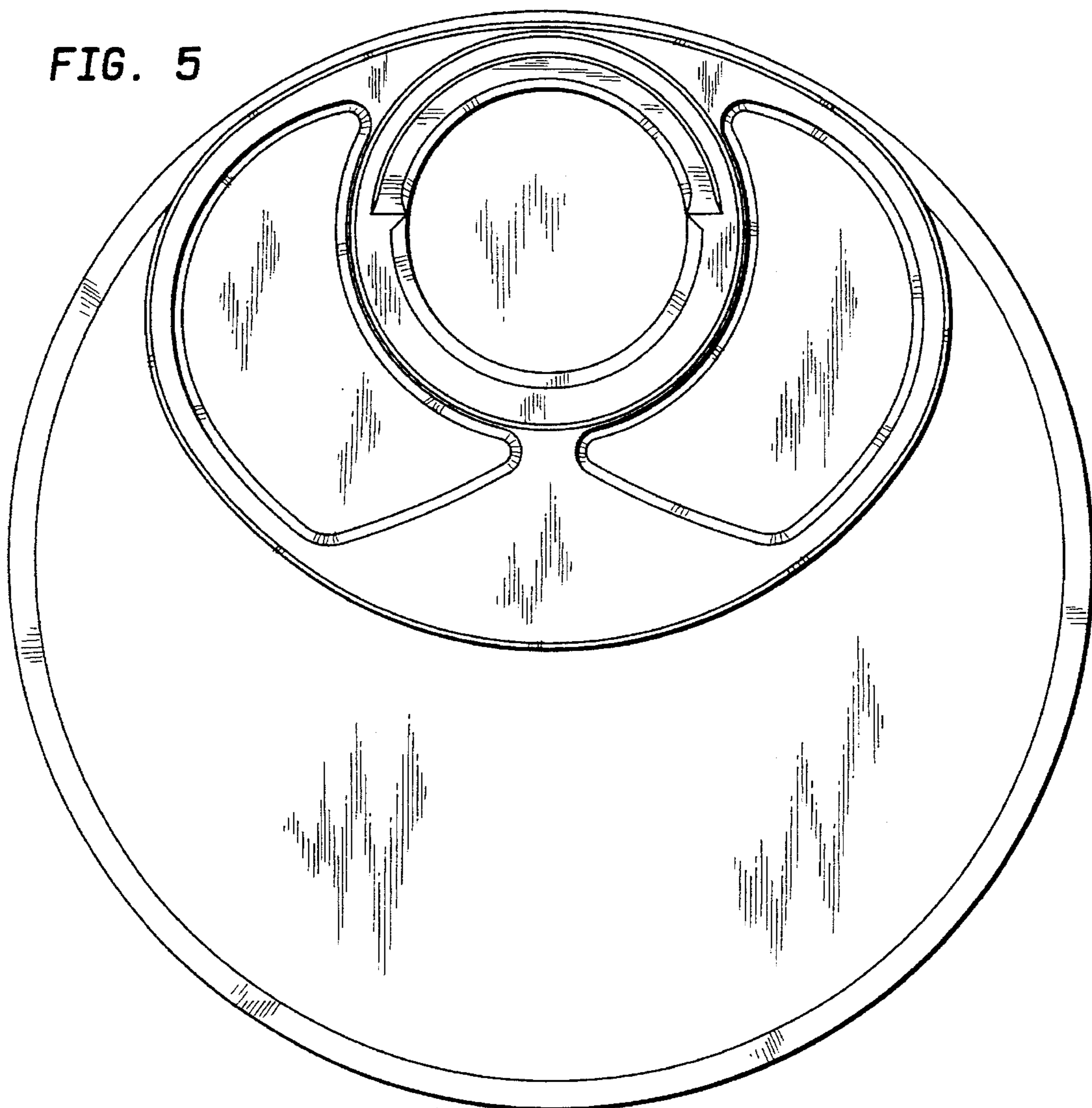


FIG. 6

