



US00D366067S

**United States Patent** [19]  
**Mowrey**

[11] **Patent Number:** **Des. 366,067**  
[45] **Date of Patent:** **\*\*Jan. 9, 1996**

[54] **HAND HELD VIDEO GAME**

[76] **Inventor:** **Paul Mowrey**, 7825 Ben Hogan Dr.,  
Las Vegas, Nev. 89129

[\*\*] **Term:** **14 Years**

[21] **Appl. No.:** **32,559**

[22] **Filed:** **Dec. 21, 1994**

[52] **U.S. Cl.** ..... **D21/13**

[58] **Field of Search** ..... D21/13, 48, 1;  
273/148 B, 433-438, DIG. 28; D14/125,  
126

[56] **References Cited**

**U.S. PATENT DOCUMENTS**

|            |         |               |       |           |
|------------|---------|---------------|-------|-----------|
| D. 342,762 | 12/1993 | Wing          | ..... | D21/48    |
| D. 353,631 | 12/1994 | Dudley et al. | ..... | D21/13    |
| D. 355,644 | 2/1995  | Risko         | ..... | D21/13 X  |
| 5,184,830  | 2/1993  | Okada et al.  | ..... | D21/13 X  |
| 5,213,327  | 5/1993  | Kitaue        | ..... | 273/148 B |

**OTHER PUBLICATIONS**

Playthings, Apr. 1979, p. 28.  
Hong Kong Enterprise, 1984, p. 28.  
Hong Kong Enterprise, Oct. 1992, p. 174.

*Primary Examiner*—Prabhakar G. Deshmukh  
*Attorney, Agent, or Firm*—John Edward Roethel

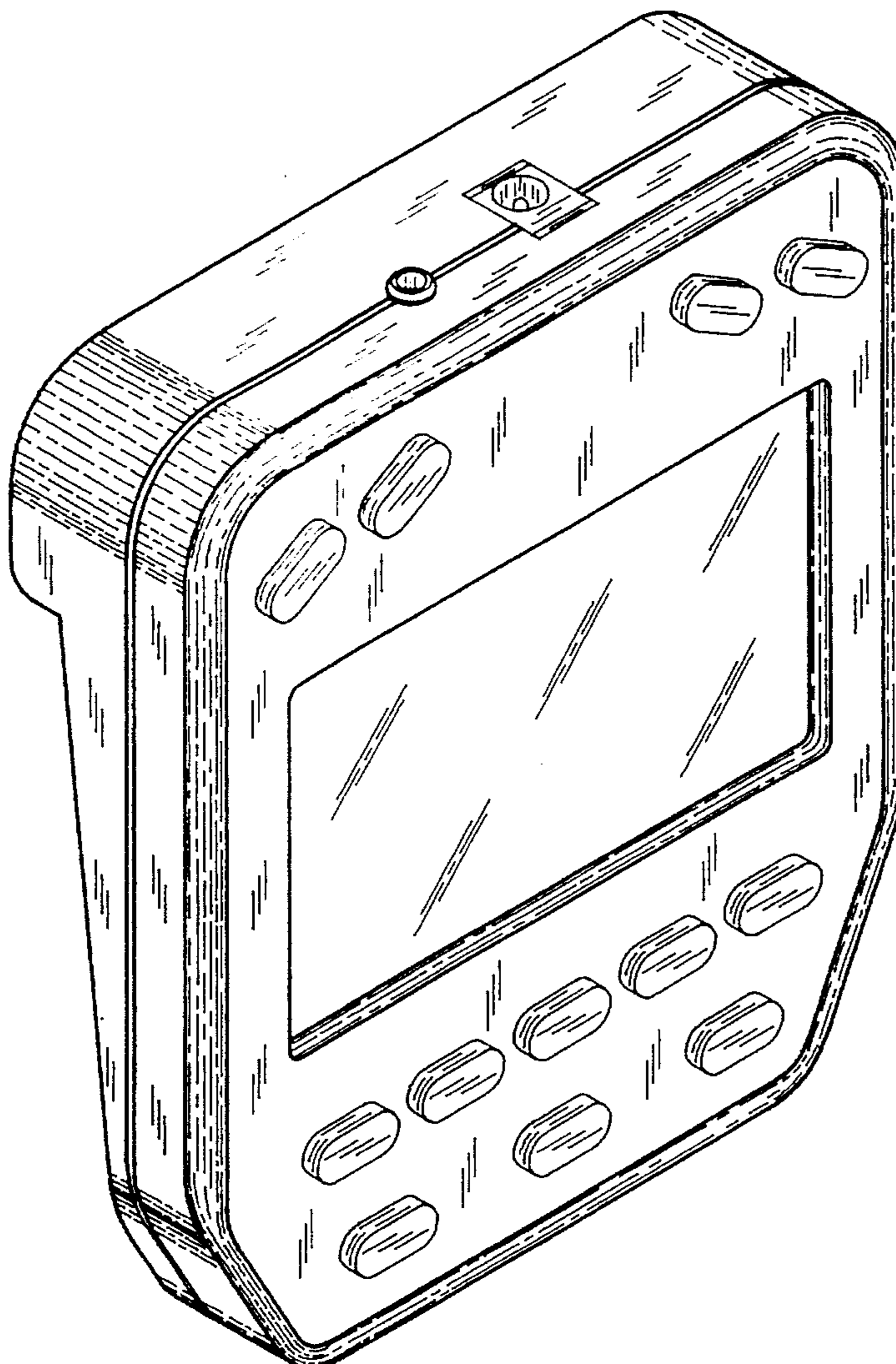
[57] **CLAIM**

The ornamental design for—hand held video game—, as shown and described.

**DESCRIPTION**

FIG. 1 is an isometric view of the hand held video game showing my new design;  
FIG. 2 is a front elevational view thereof;  
FIG. 3 is a back elevational view thereof;  
FIG. 4 is a left elevational view thereof;  
FIG. 5 is a right elevational view thereof;  
FIG. 6 is a top plan view thereof; and,  
FIG. 7 is a bottom plan view thereof.

**1 Claim, 4 Drawing Sheets**



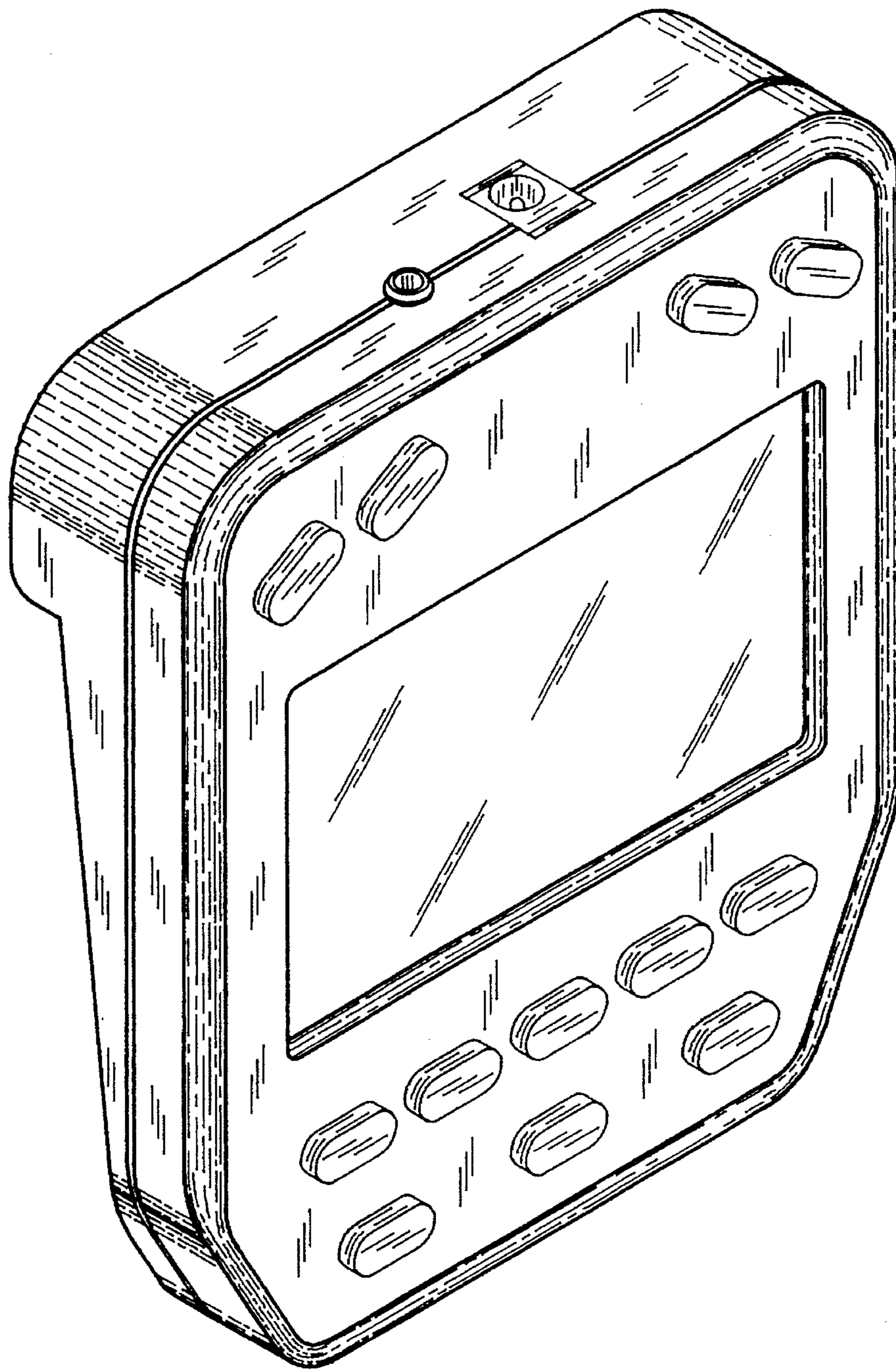


FIG-1

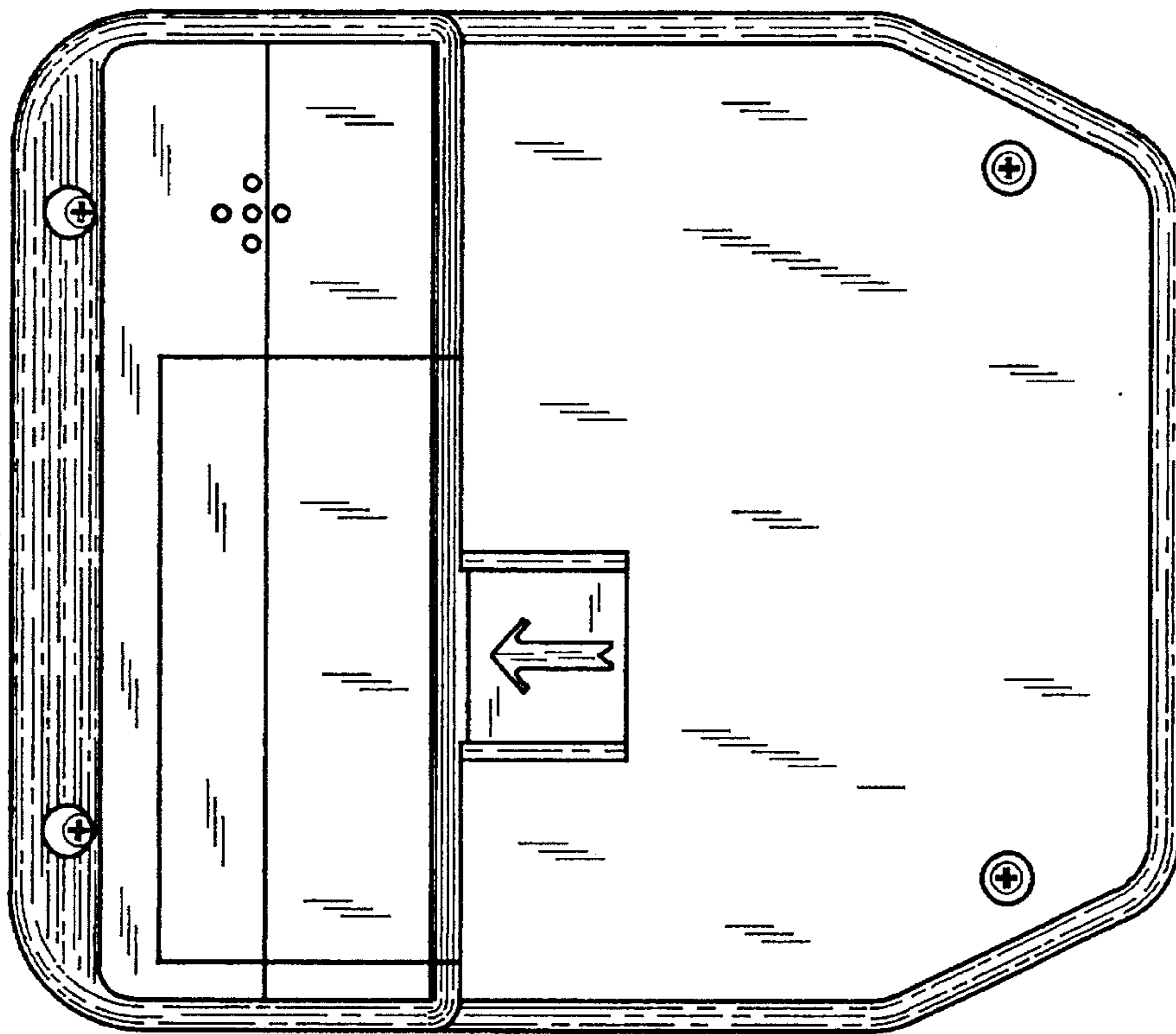


FIG-3

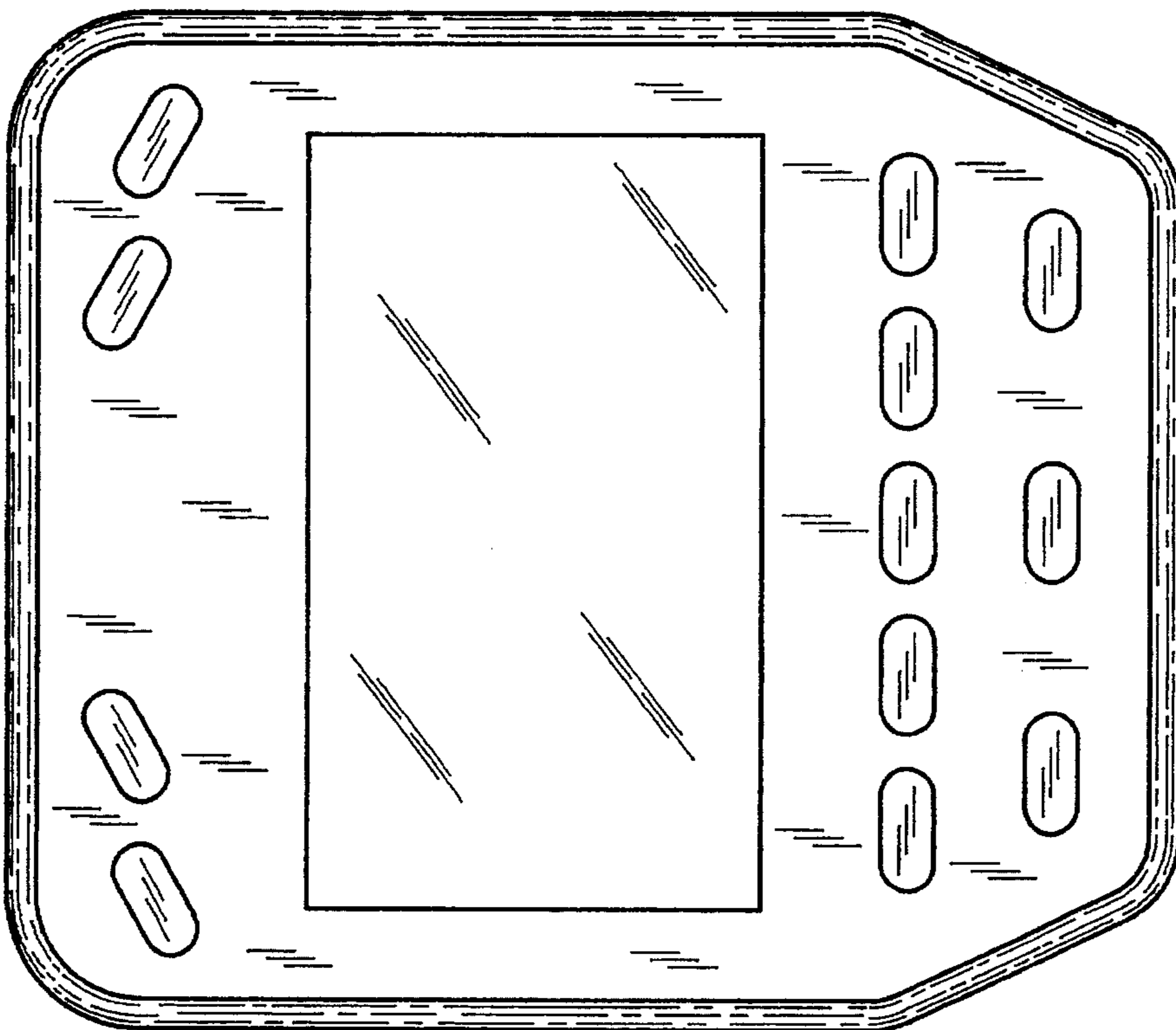


FIG-2

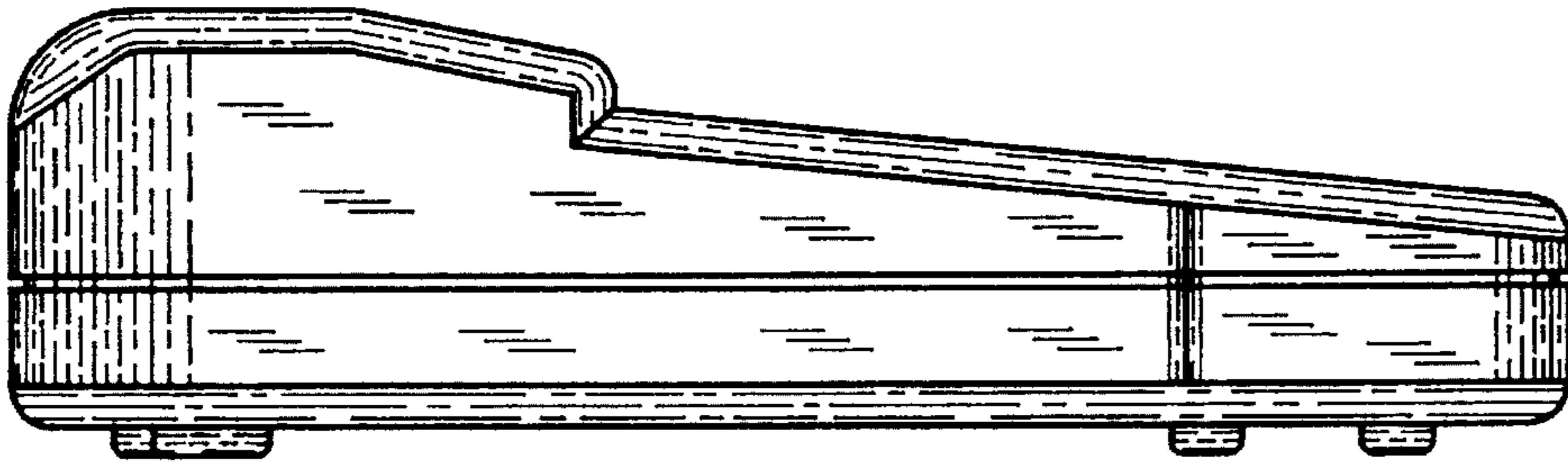


FIG-5

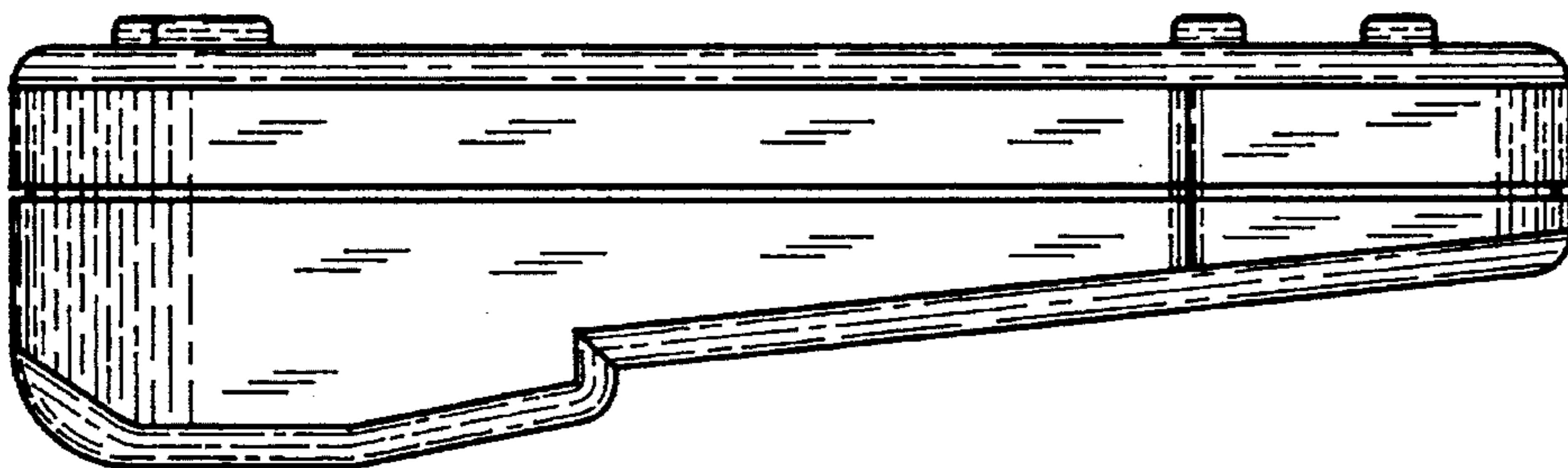


FIG-4

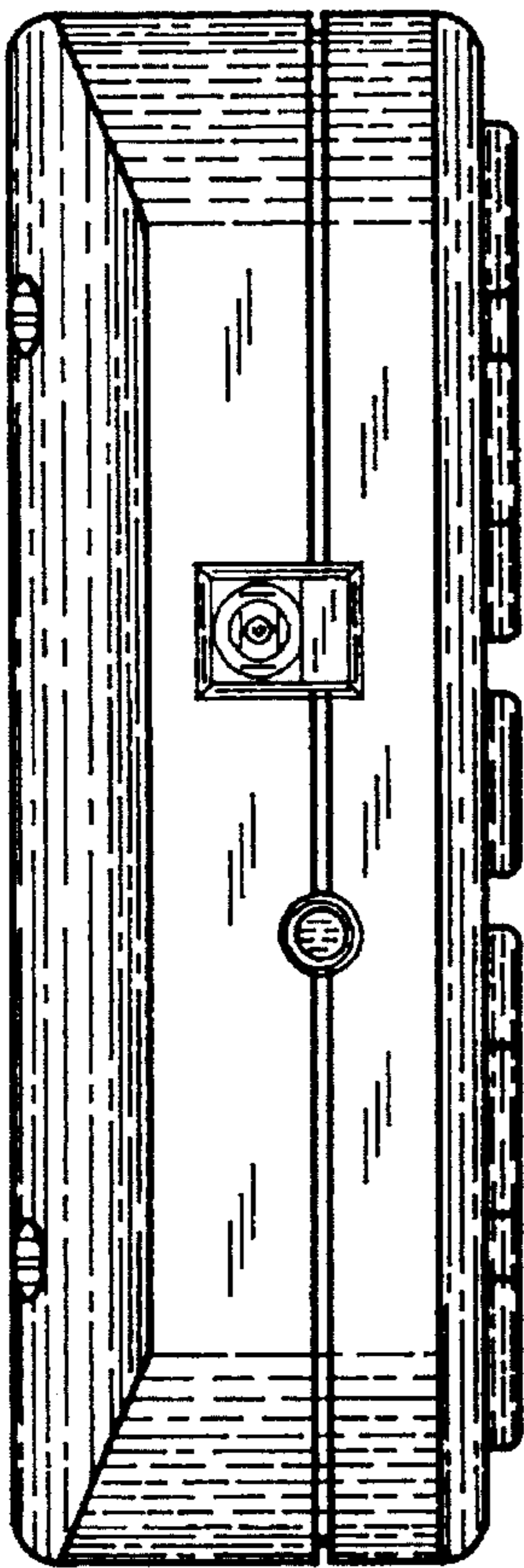


FIG-6

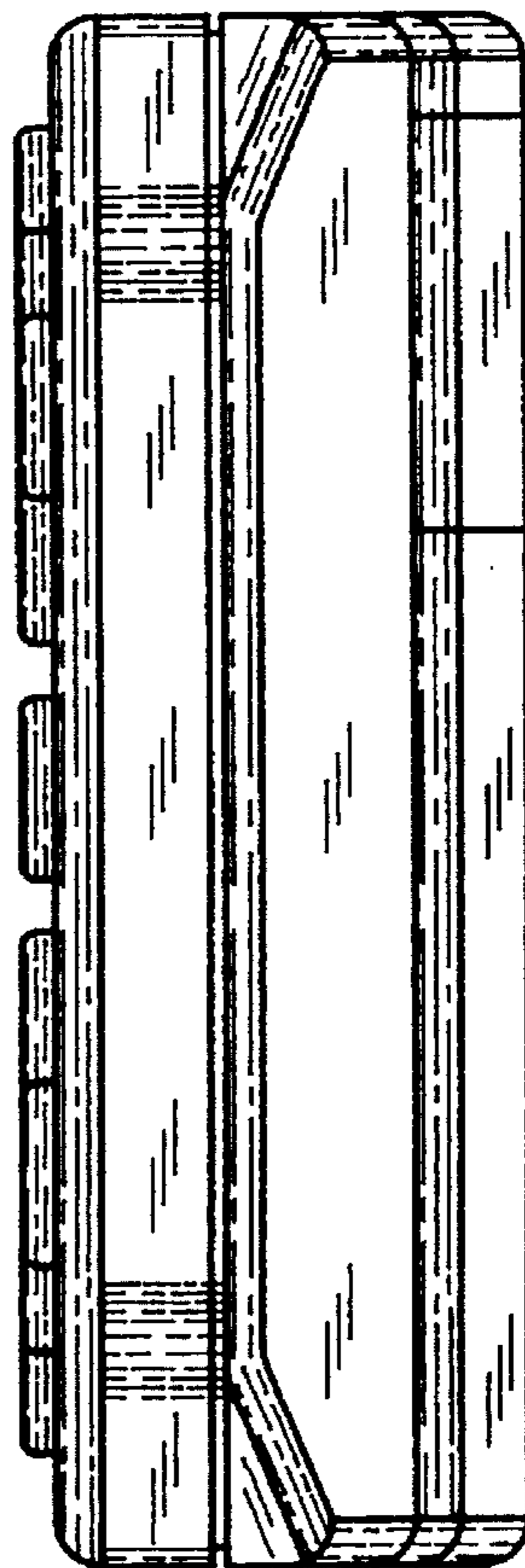


FIG-7