



US00D366066S

United States Patent [19] Callas

[11] Patent Number: **Des. 366,066**
[45] Date of Patent: ****Jan. 9, 1996**

[54] **SIGN HOLDER**
[75] Inventor: **Mike T. Callas**, Minneapolis, Minn.
[73] Assignee: **Callas Enterprises**, Tonka Bay, Minn.
[**] Term: **14 Years**

1,417,325 5/1922 Hopp D20/43
2,704,409 3/1955 Randall 40/591
3,148,856 9/1964 Orlando .
3,178,138 4/1965 Hessdoerfer et al. .
3,532,310 10/1970 Finfrock .
4,677,780 7/1987 Shuman .
4,776,116 10/1988 Shuman .
4,776,549 10/1988 Anastos .

[21] Appl. No.: **27,663**
[22] Filed: **Aug. 26, 1994**

Primary Examiner—A. Hugo Word
Assistant Examiner—Marcus Jackson
Attorney, Agent, or Firm—Burd, Bartz & Gutenkauf

Related U.S. Application Data

[62] Division of Ser. No. 21,221, Apr. 11, 1994, Pat. No. Des. 357,505.
[52] **U.S. Cl.** **D20/43**
[58] **Field of Search** D20/10, 39, 40, D20/41, 43, 44; 40/1, 1.6, 643, 644, 649, 650, 658, 661, 662

[57] CLAIM

The ornamental design for a sign holder, as shown and described.

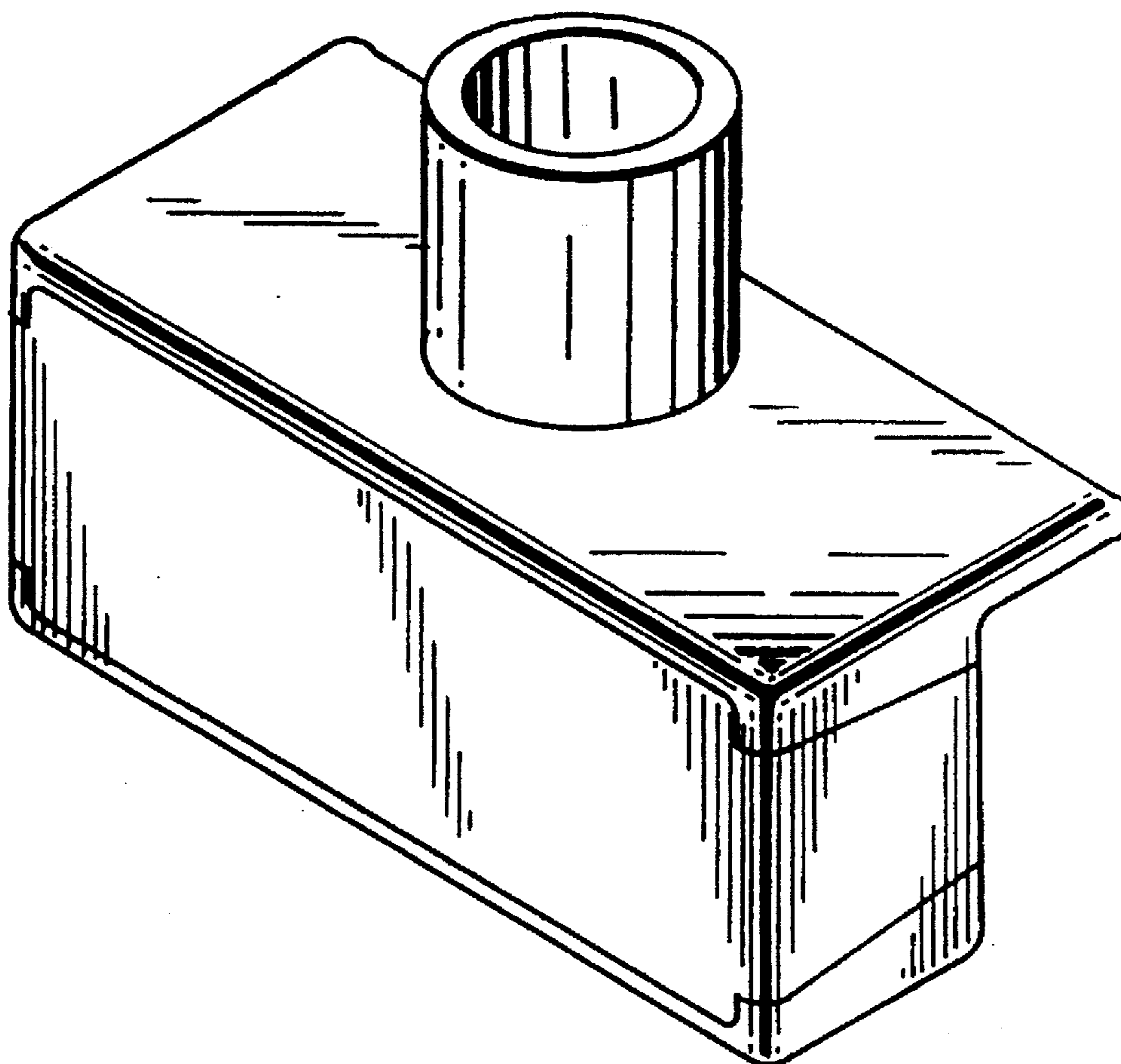
DESCRIPTION

FIG. 1 is a perspective view of a sign holder showing my new design;
FIG. 2 is a top plan view of FIG. 1;
FIG. 3 is a front elevational view of FIG. 1;
FIG. 4 is a side elevational view of the right side of FIG. 1;
FIG. 5 is a side elevational view of the left side of FIG. 1;
FIG. 6 is a rear elevational view of FIG. 1; and,
FIG. 7 is a bottom plan view of FIG. 1.

[56] References Cited U.S. PATENT DOCUMENTS

D. 229,452 11/1973 Bentley .
D. 321,914 11/1991 Jam D20/43
D. 347,449 5/1994 Garfinkle D20/43
D. 350,157 8/1994 Hart D20/43

1 Claim, 2 Drawing Sheets



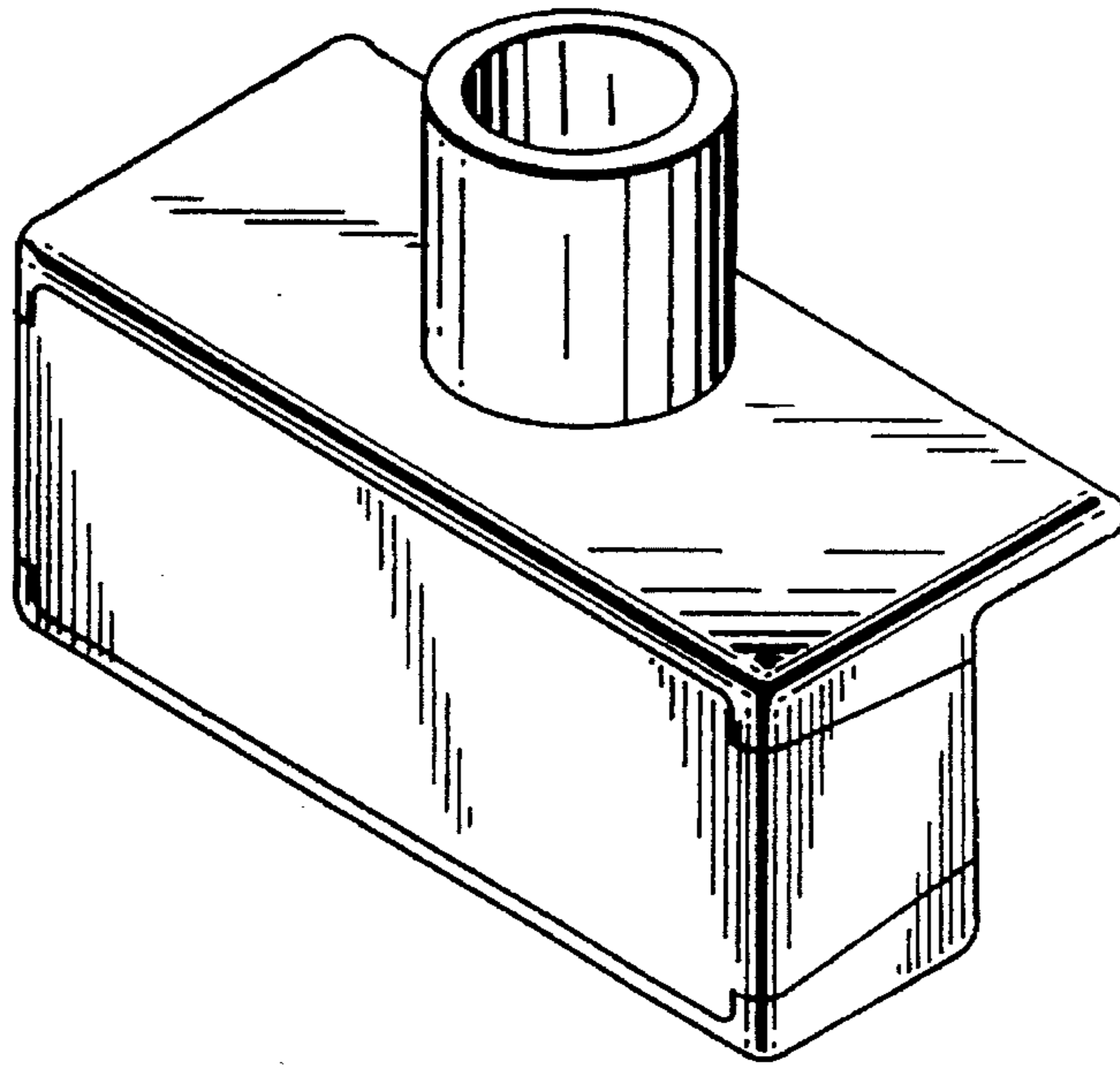


Fig. 1

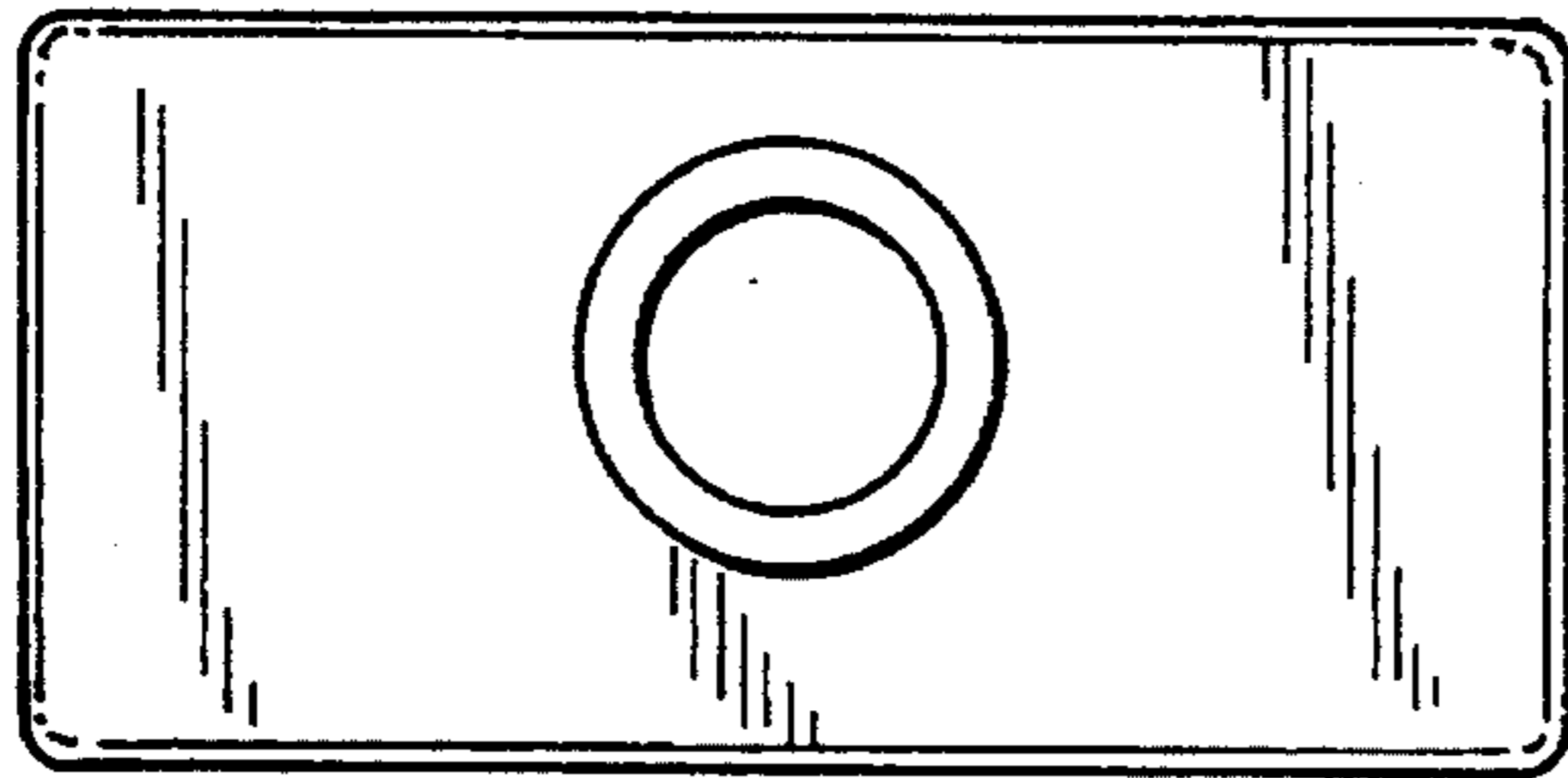


Fig. 2

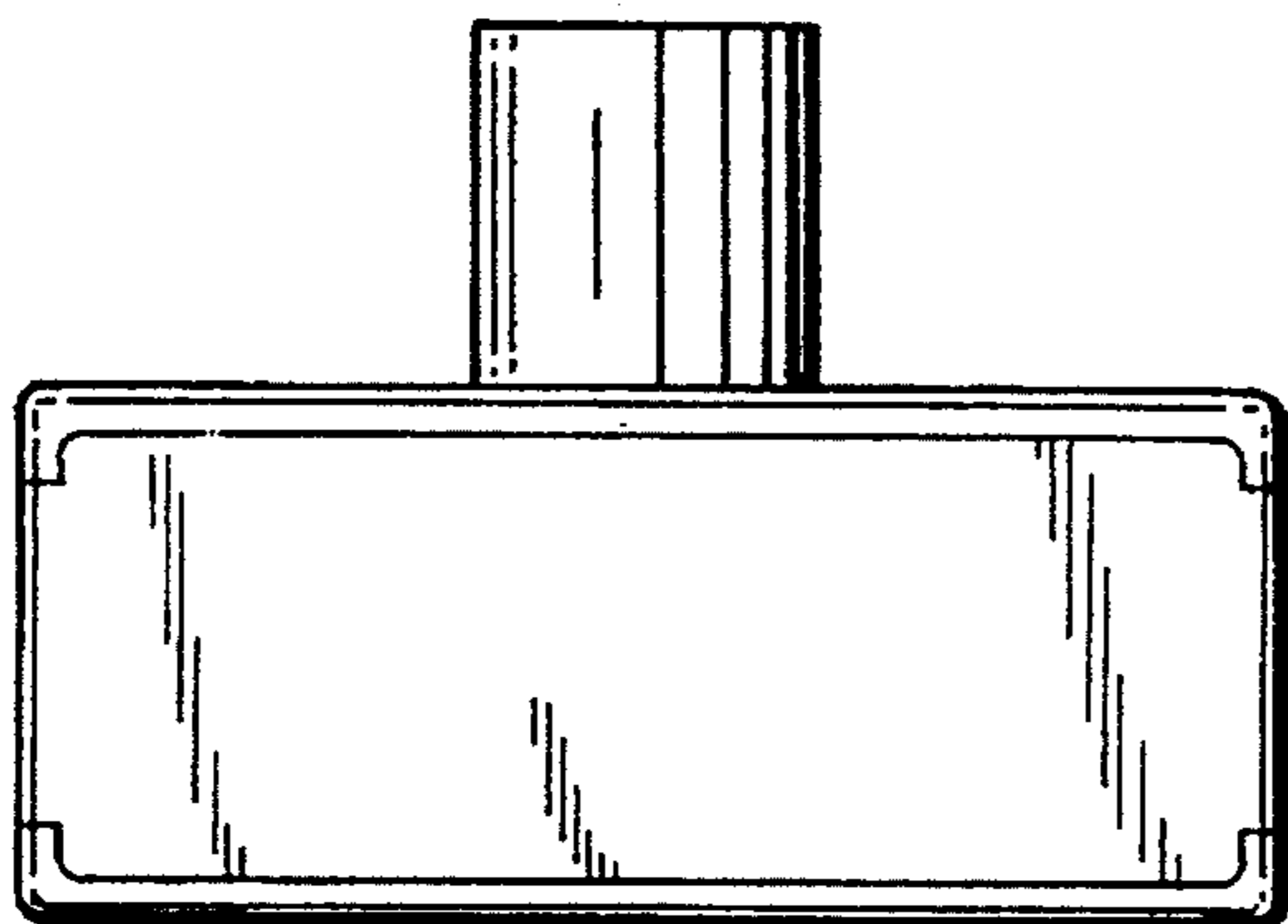


Fig. 3

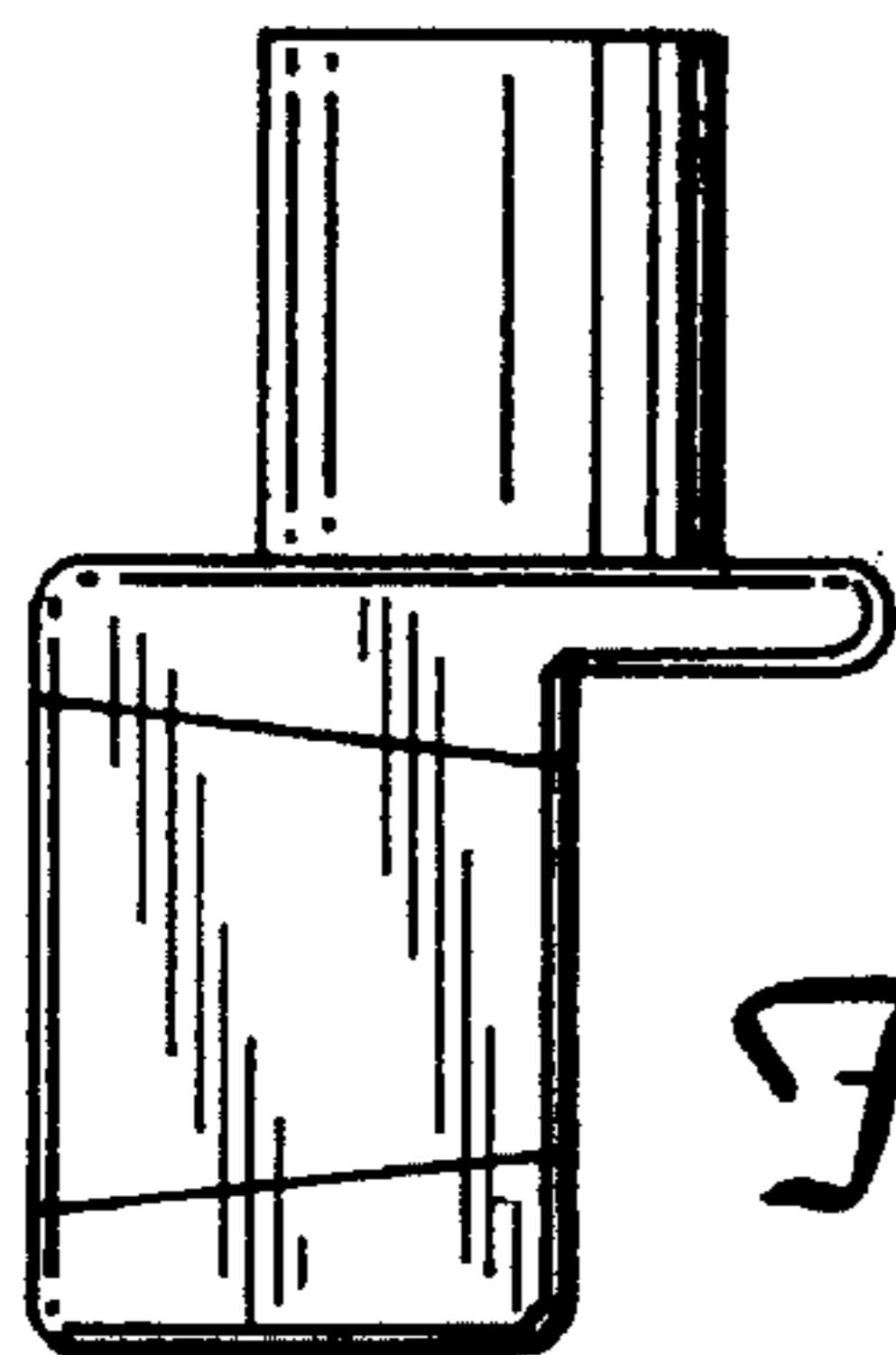


Fig. 4

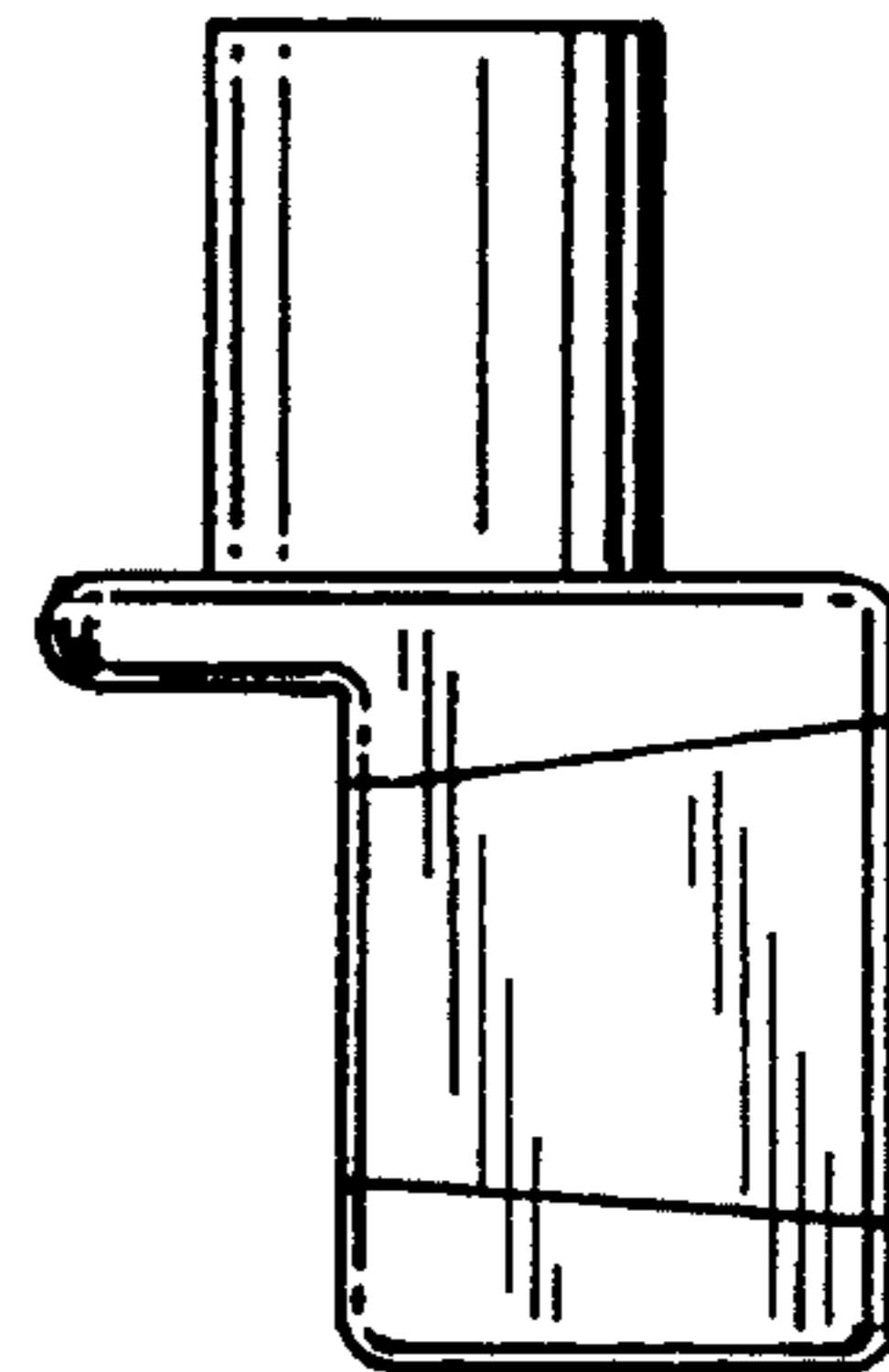


Fig. 5

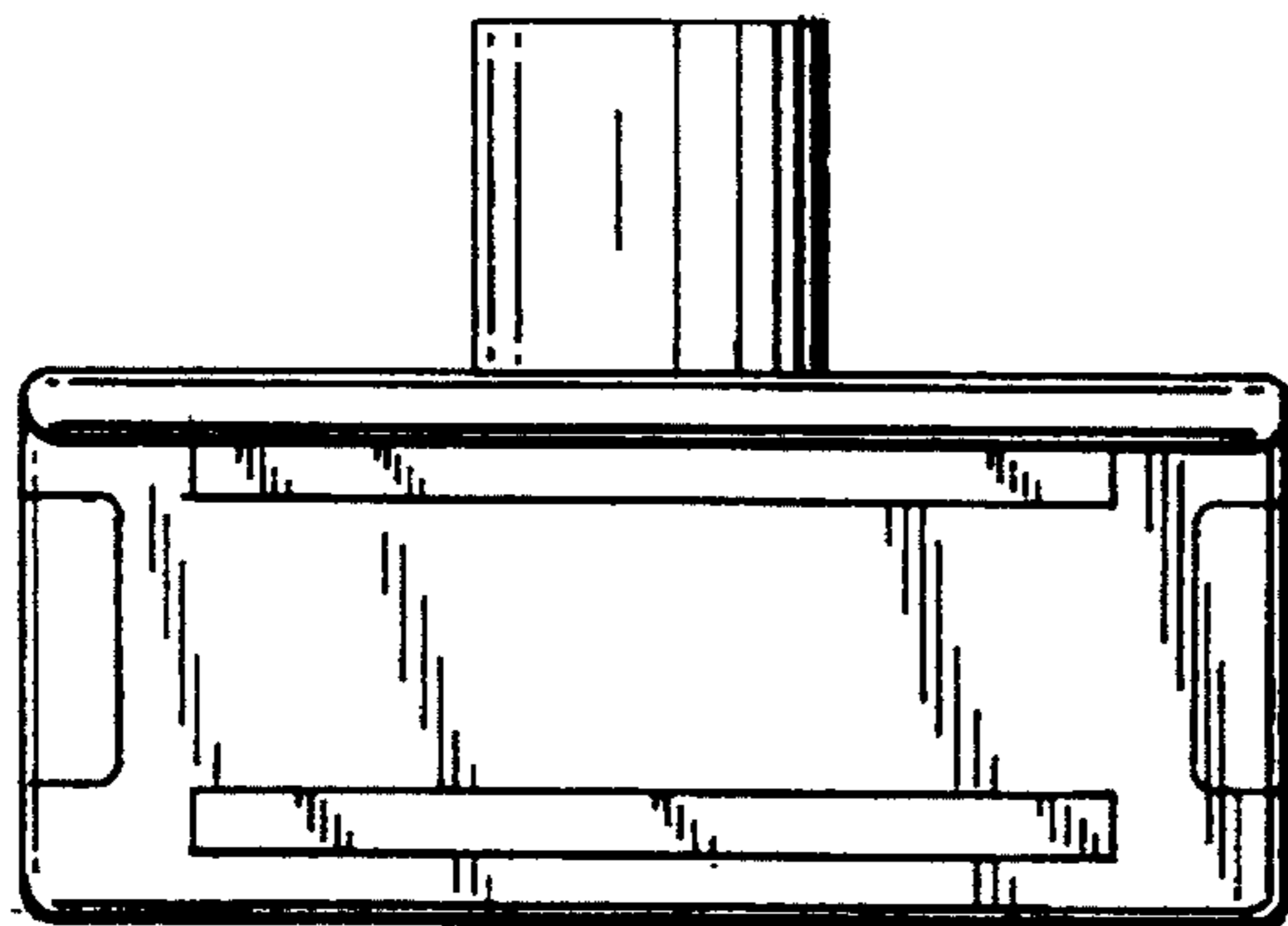


Fig. 6

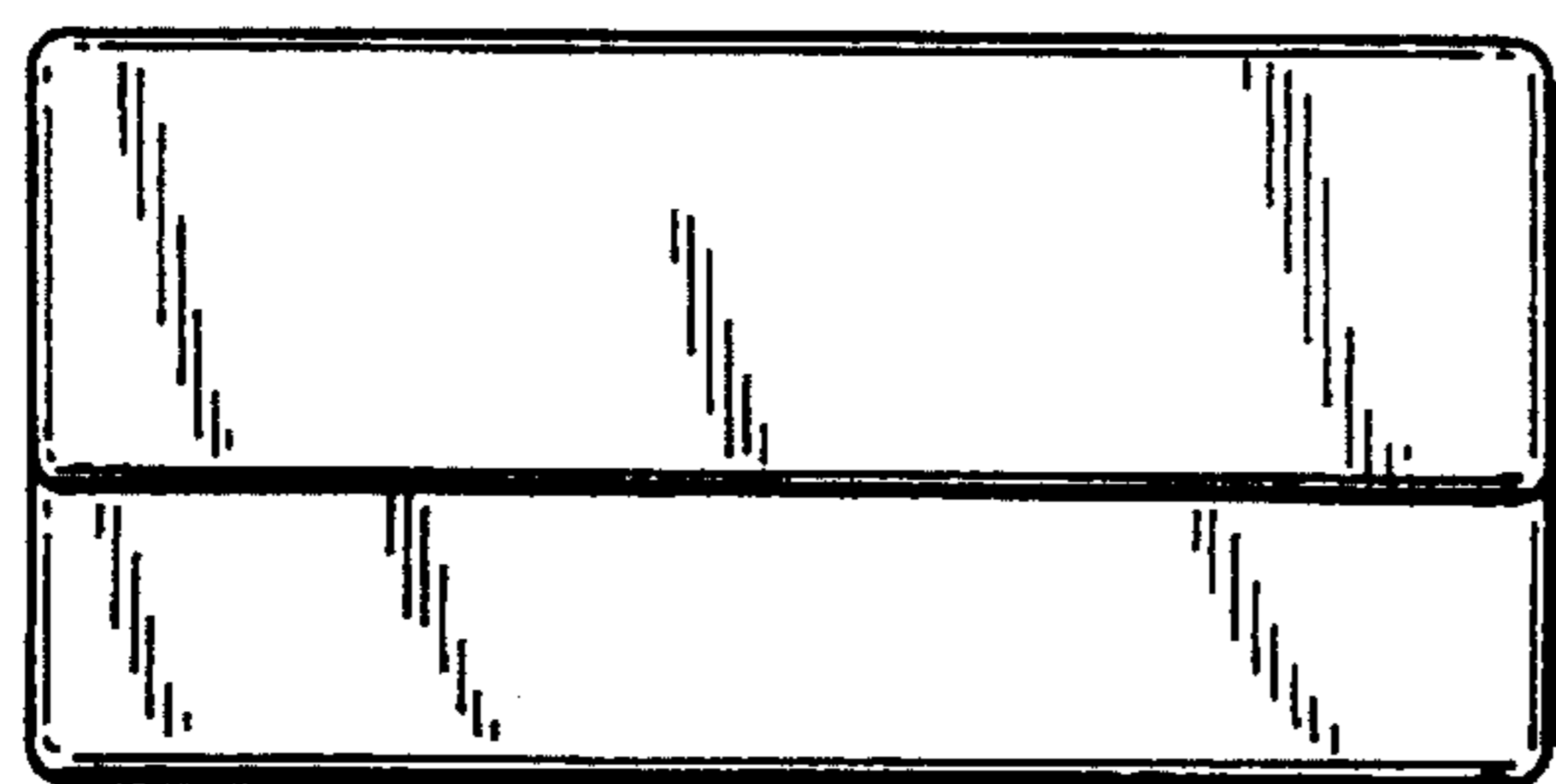


Fig. 7