



US00D366065S

United States Patent [19]
Lockard

[11] **Patent Number:** **Des. 366,065**
[45] **Date of Patent:** ****Jan. 9, 1996**

[54] **BELT RACK TAB**

[75] Inventor: **Randall R. Lockard**, Coppell, Tex.
[73] Assignee: **TBAC Investment Trust**, Arlington, Tex.
[**] Term: **14 Years**

[21] Appl. No.: **22,042**
[22] Filed: **Apr. 28, 1994**
[52] U.S. Cl. **D20/22**
[58] **Field of Search** D8/371, 373; D20/22;
40/299, 322, 640, 657, 124.4; 248/215,
300; D16/129; D6/315, 328, 325

[56] **References Cited**

U.S. PATENT DOCUMENTS

1,669,199	5/1928	Hicks	248/300
3,362,667	1/1968	Ginsburg	248/300 X
3,921,253	11/1975	Nelson	248/300 X
4,203,175	5/1980	Heine	248/215 X

Primary Examiner—James M. Gandy
Assistant Examiner—Holly Baynham
Attorney, Agent, or Firm—Winstead Sechrest & Minick

[57] **CLAIM**

The ornamental design for a belt rack tab, as shown and described.

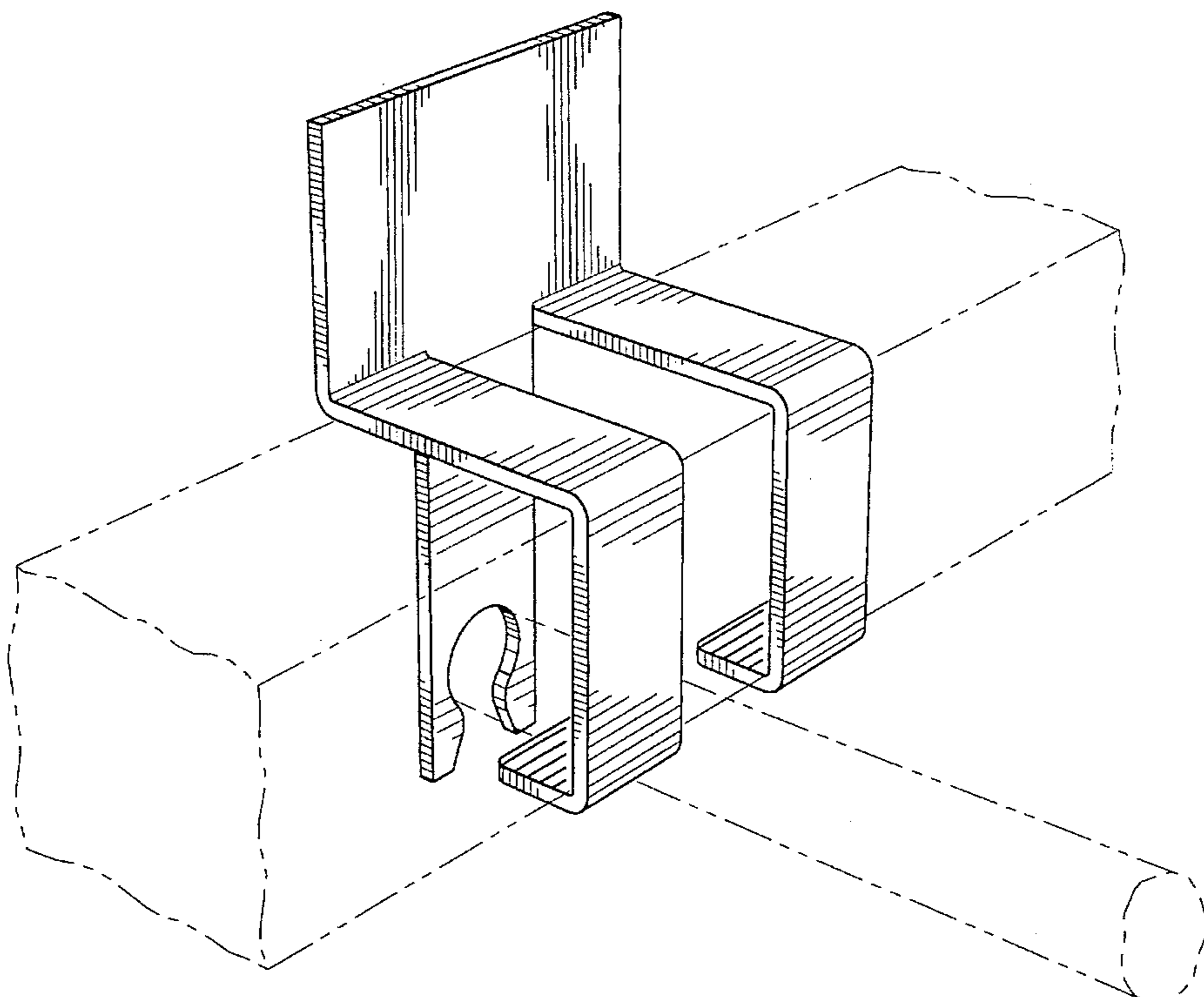
DESCRIPTION

FIG. 1 is a perspective view of a belt rack tab with the

broken line showing of partial structure being for illustrative purposes only and forming no part of the claimed design;
FIG. 2 is an elevational front view of the first embodiment;
FIG. 3 is an elevational right side view of the first embodiment;
FIG. 4 is an elevational left side view of the first embodiment;
FIG. 5 is an elevational rear view of the first embodiment;
FIG. 6 is a top plan view of the first embodiment;
FIG. 7 is a bottom plan view of the first embodiment;
FIG. 8 is a perspective view of a second embodiment;
FIG. 9 is a perspective view of a third embodiment;
FIG. 10 is a perspective view of a fourth embodiment;
FIG. 11 is a perspective view of a fifth embodiment; and,
FIG. 12 is a perspective view of a sixth embodiment.

The appearances of the undisclosed side, front, rear, bottom and top views of embodiments 2–6 are the same as the views shown as FIGS. 2–7 of the first embodiment except for the various shapes of the rear panels.

1 Claim, 3 Drawing Sheets



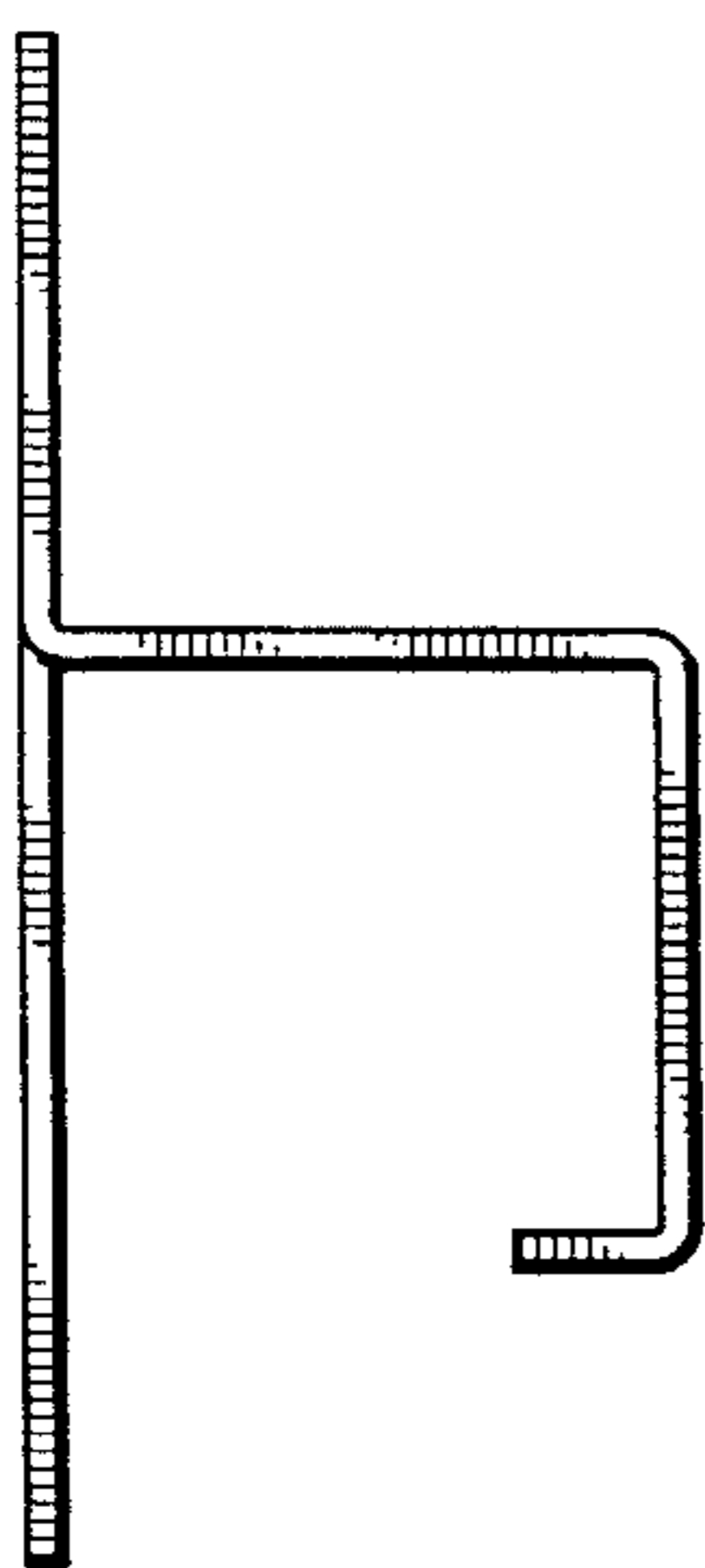
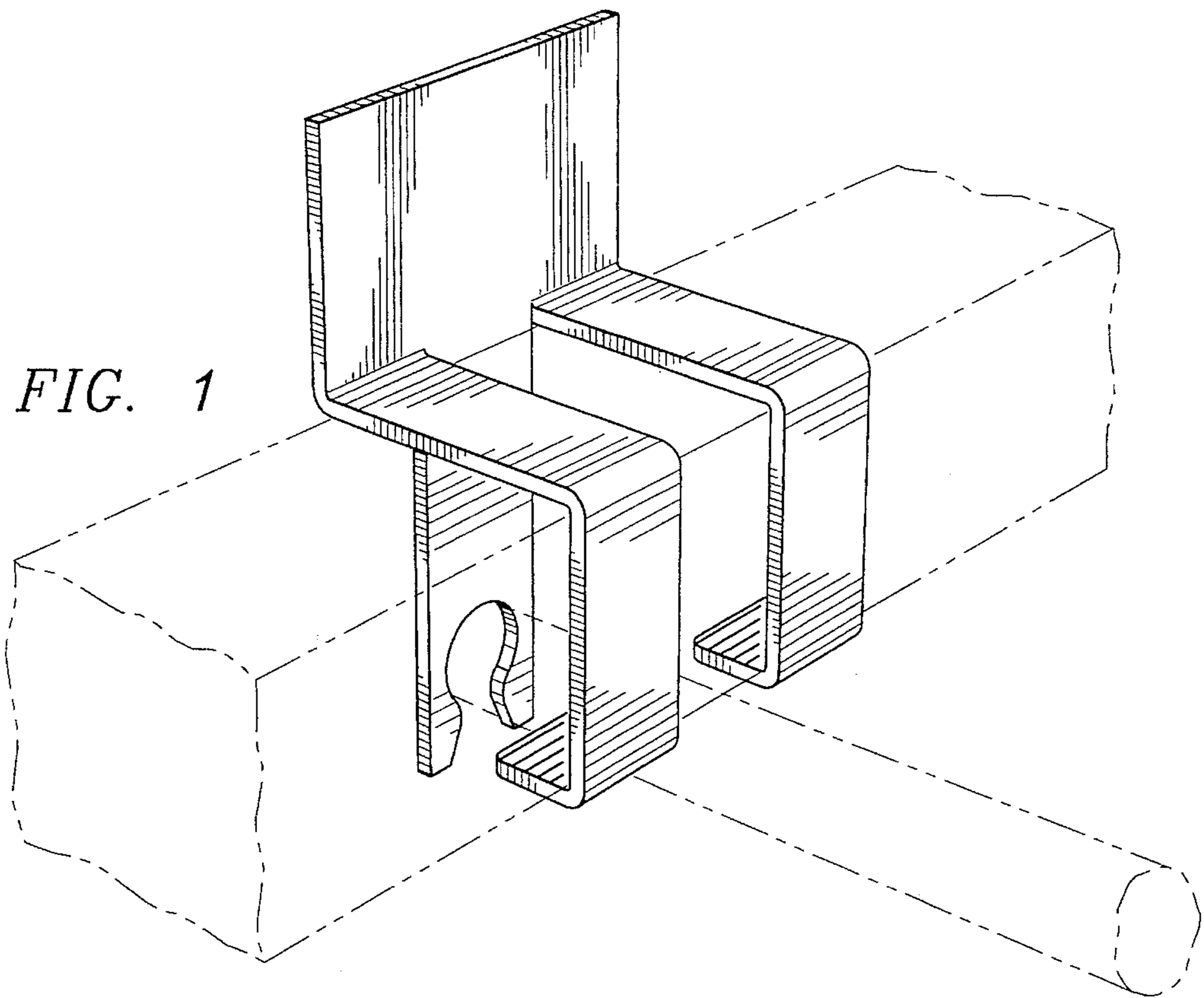


FIG. 3

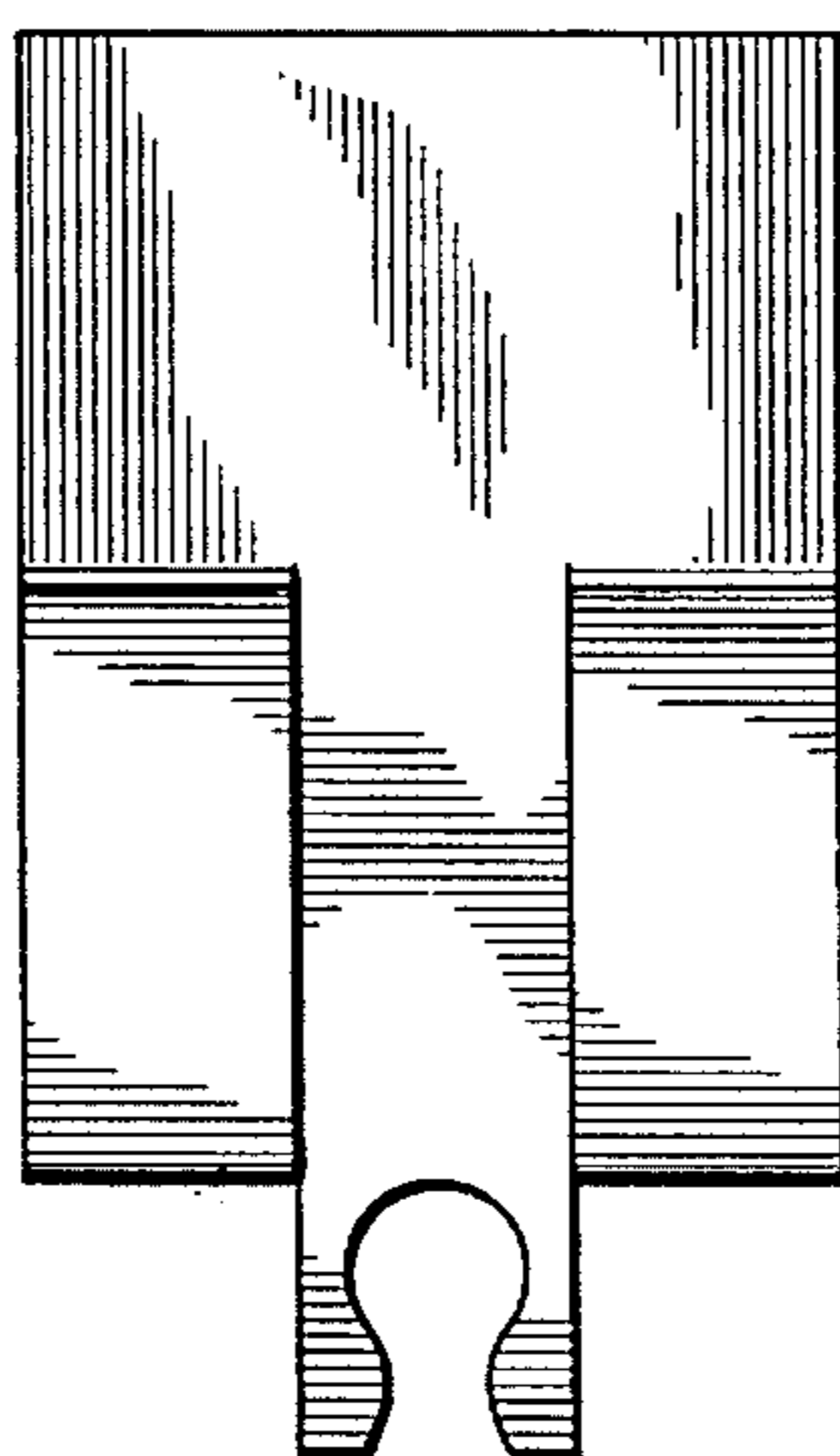


FIG. 2

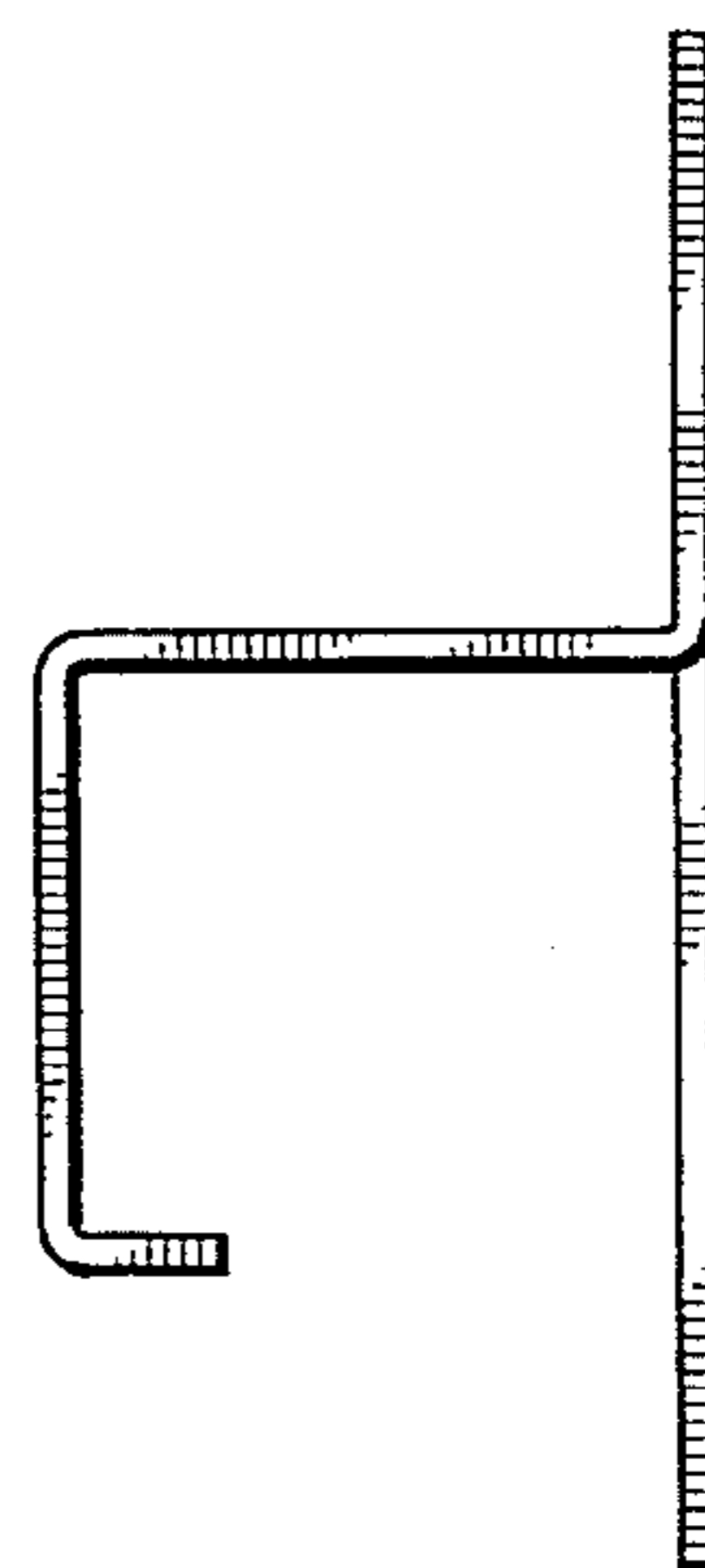


FIG. 4

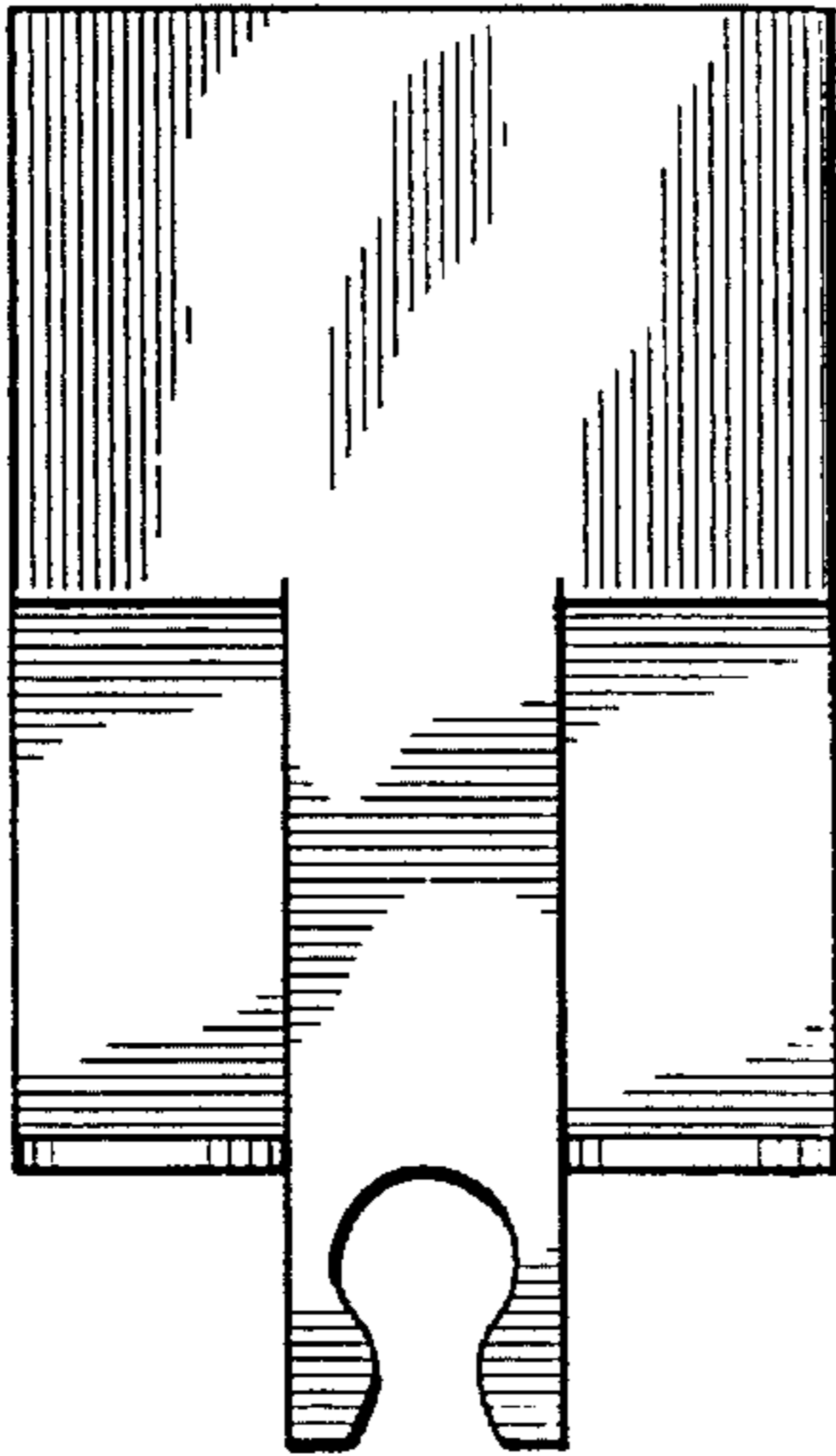


FIG. 5

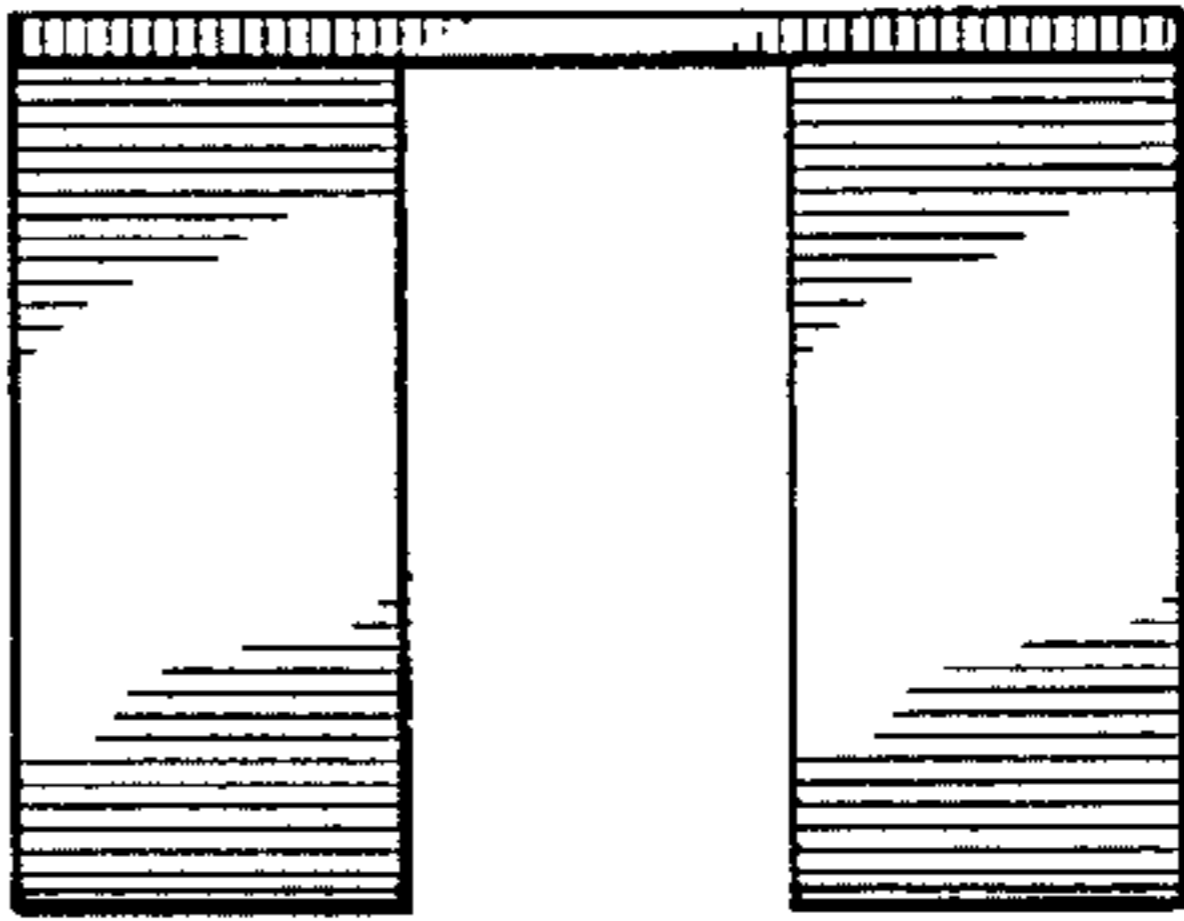


FIG. 6

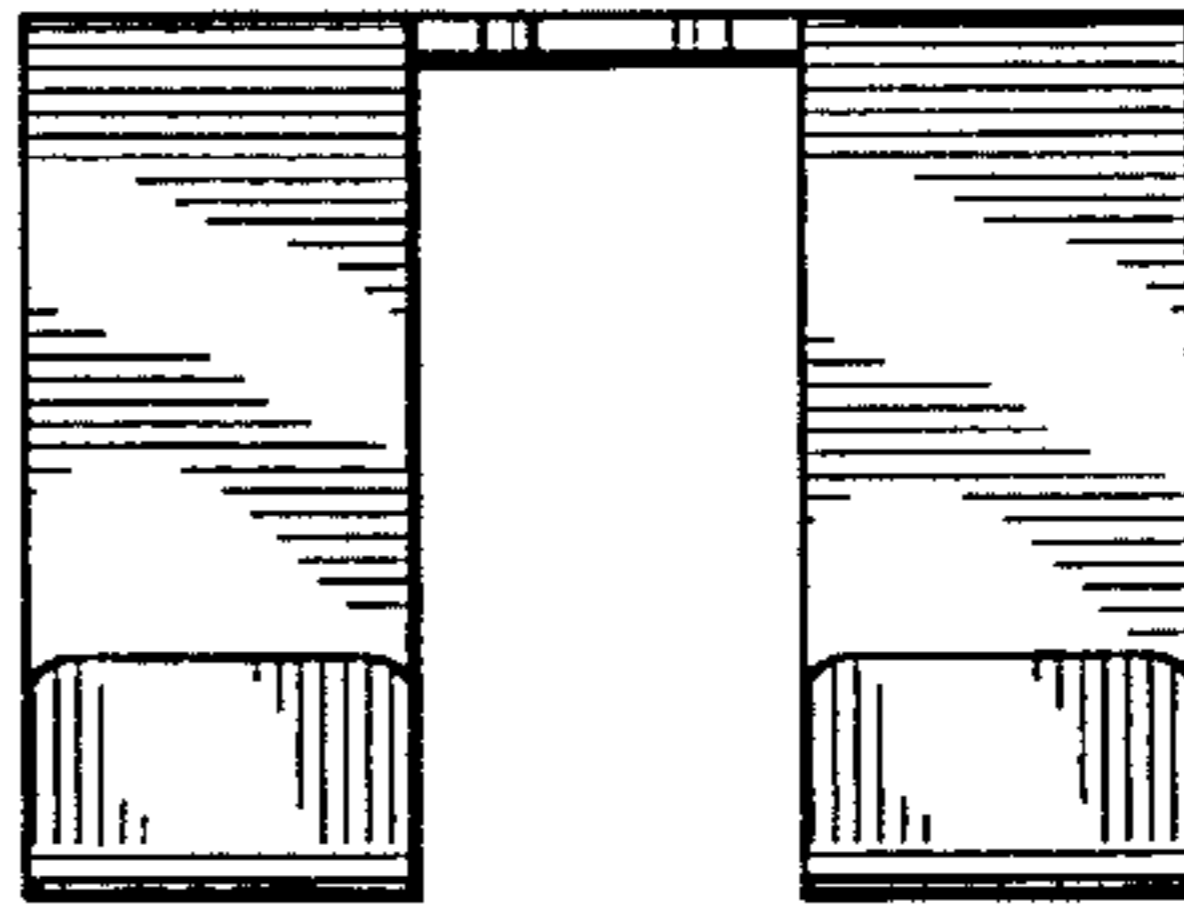


FIG. 7

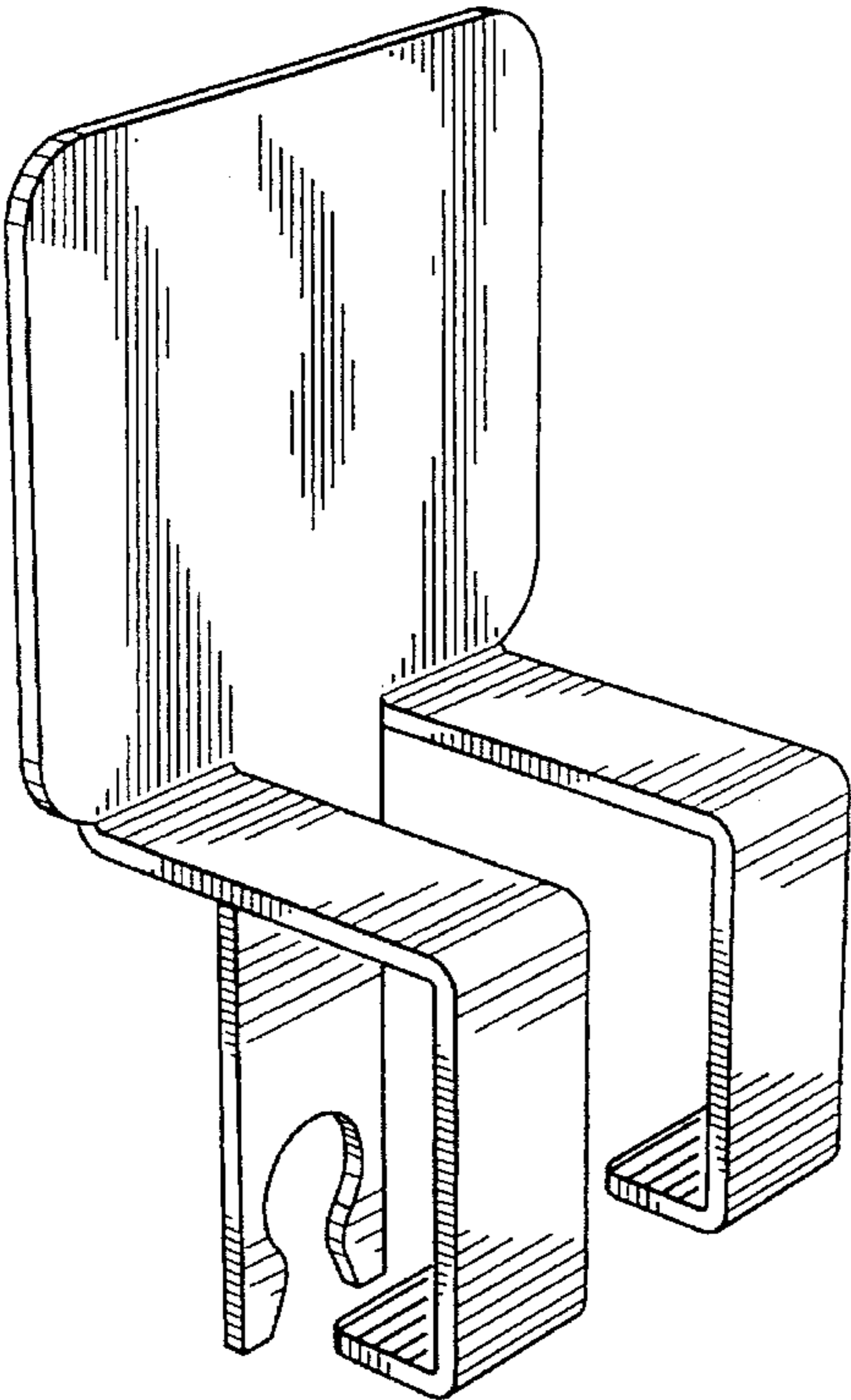


FIG. 8

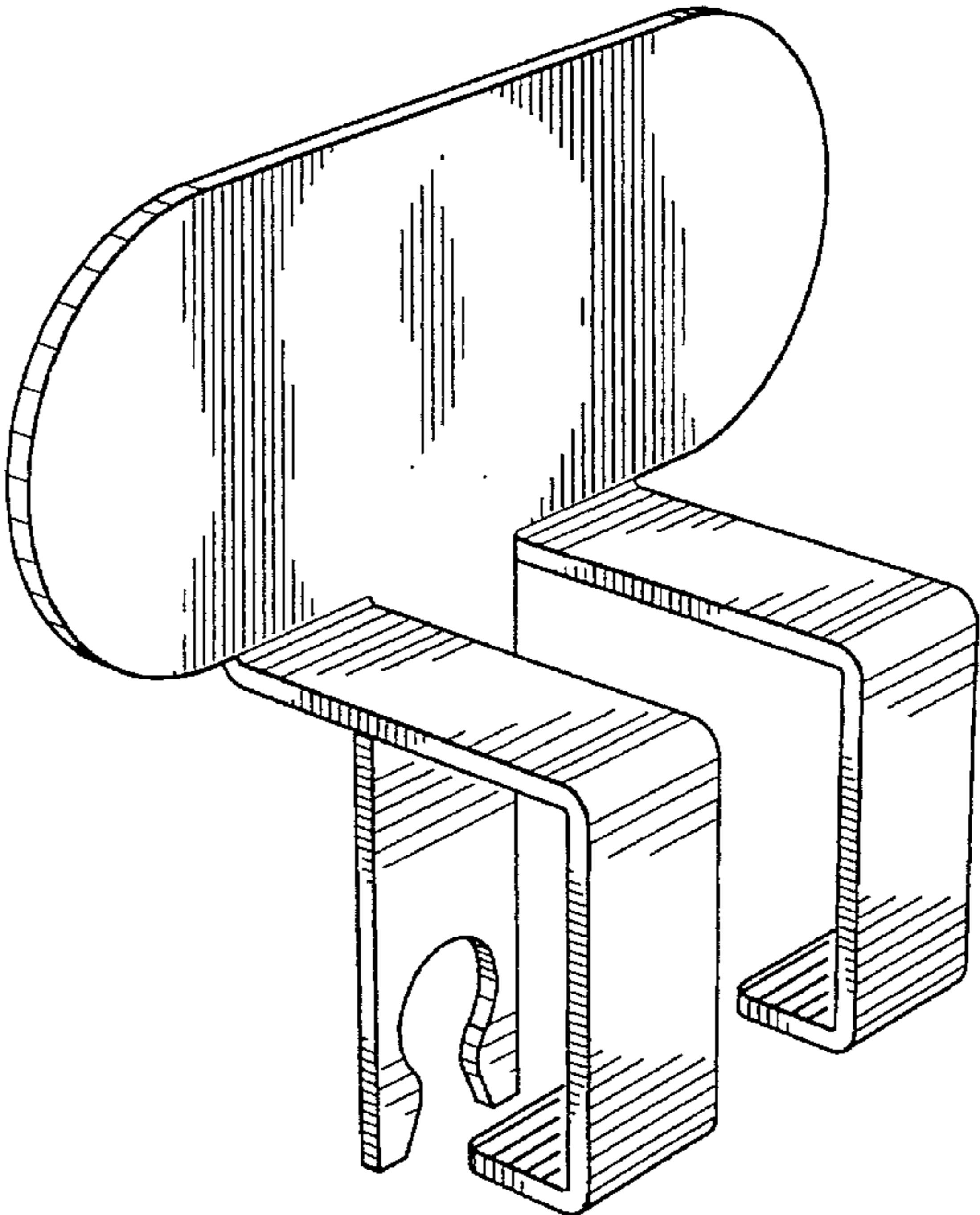


FIG. 9

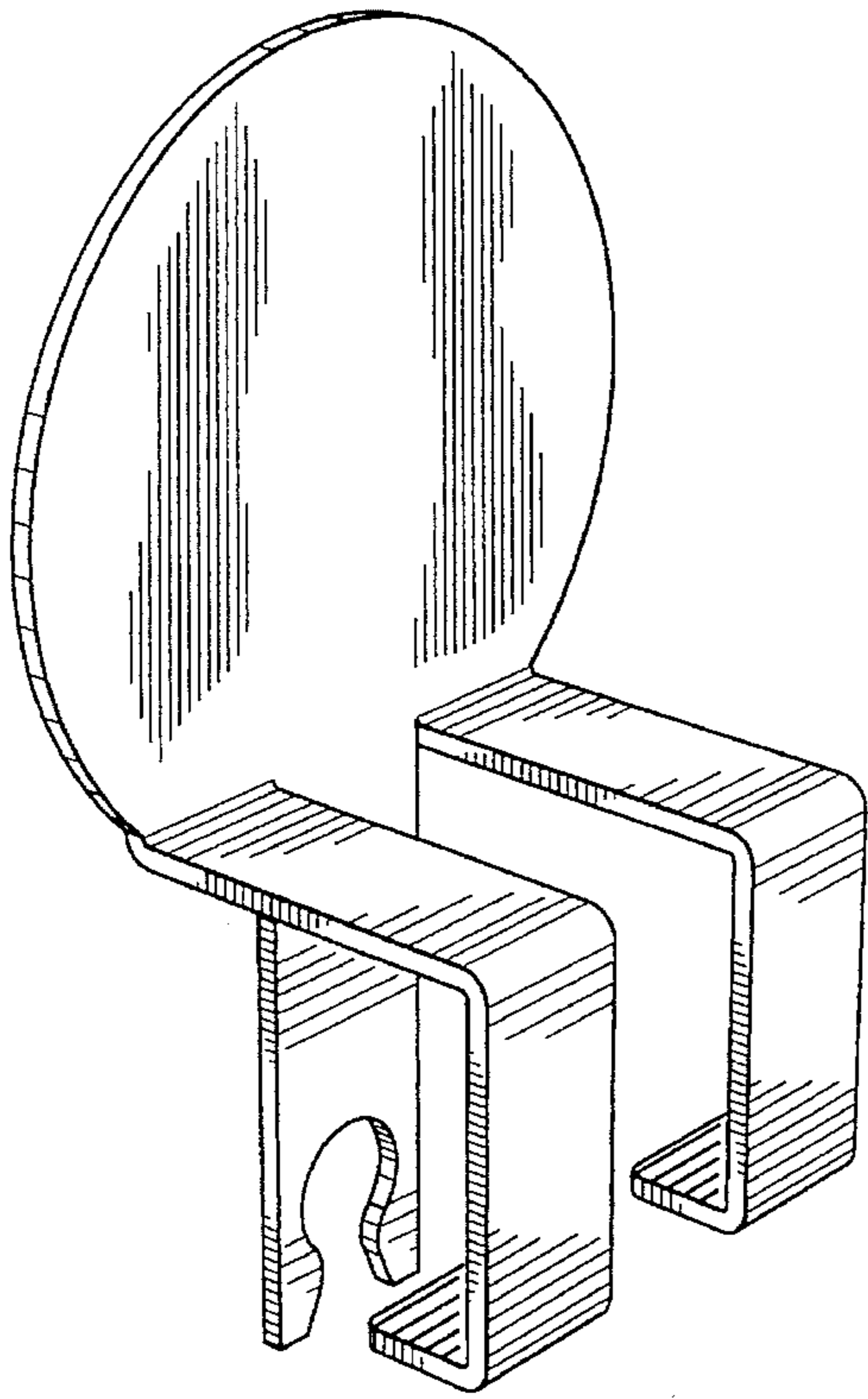


FIG. 10

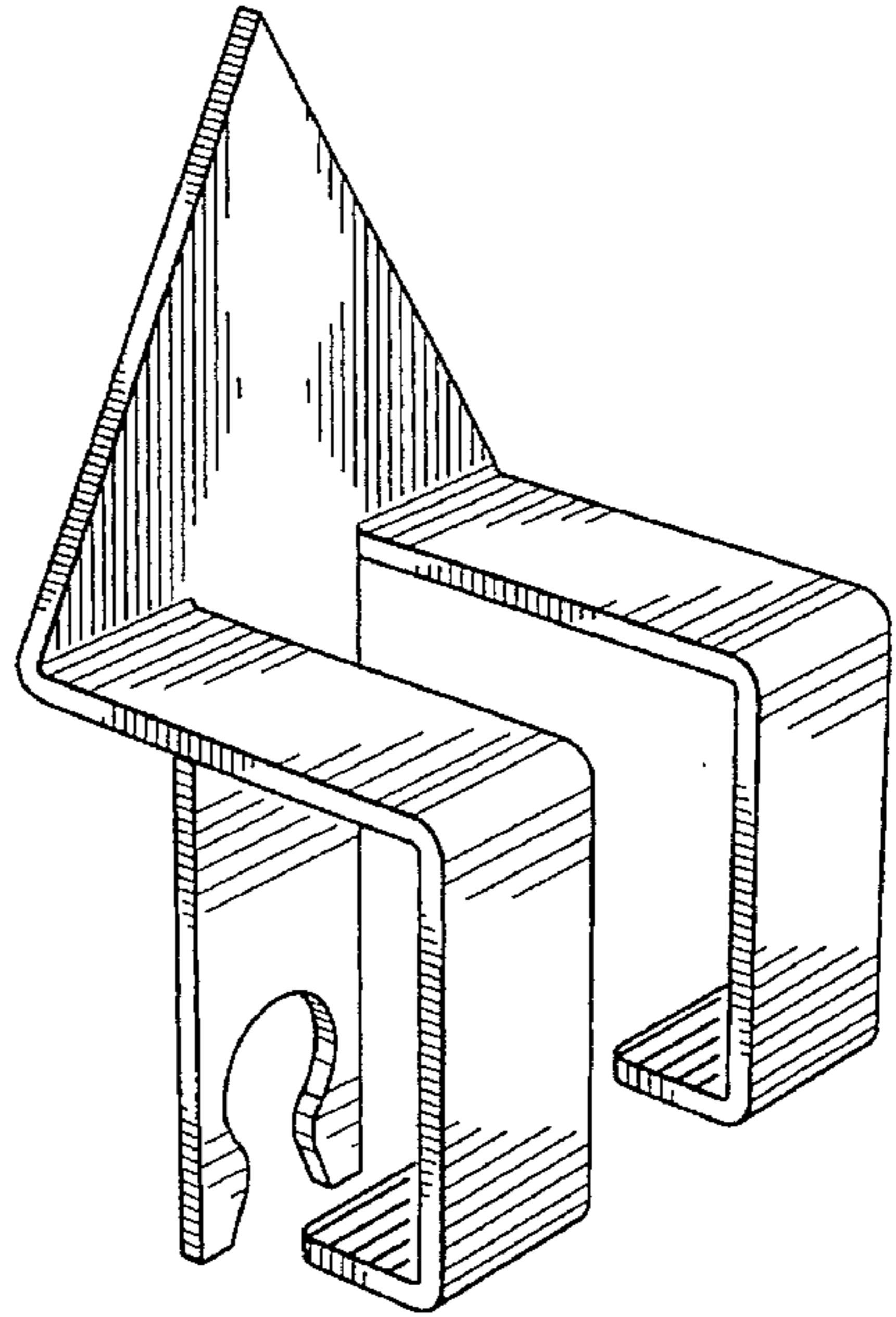


FIG. 11

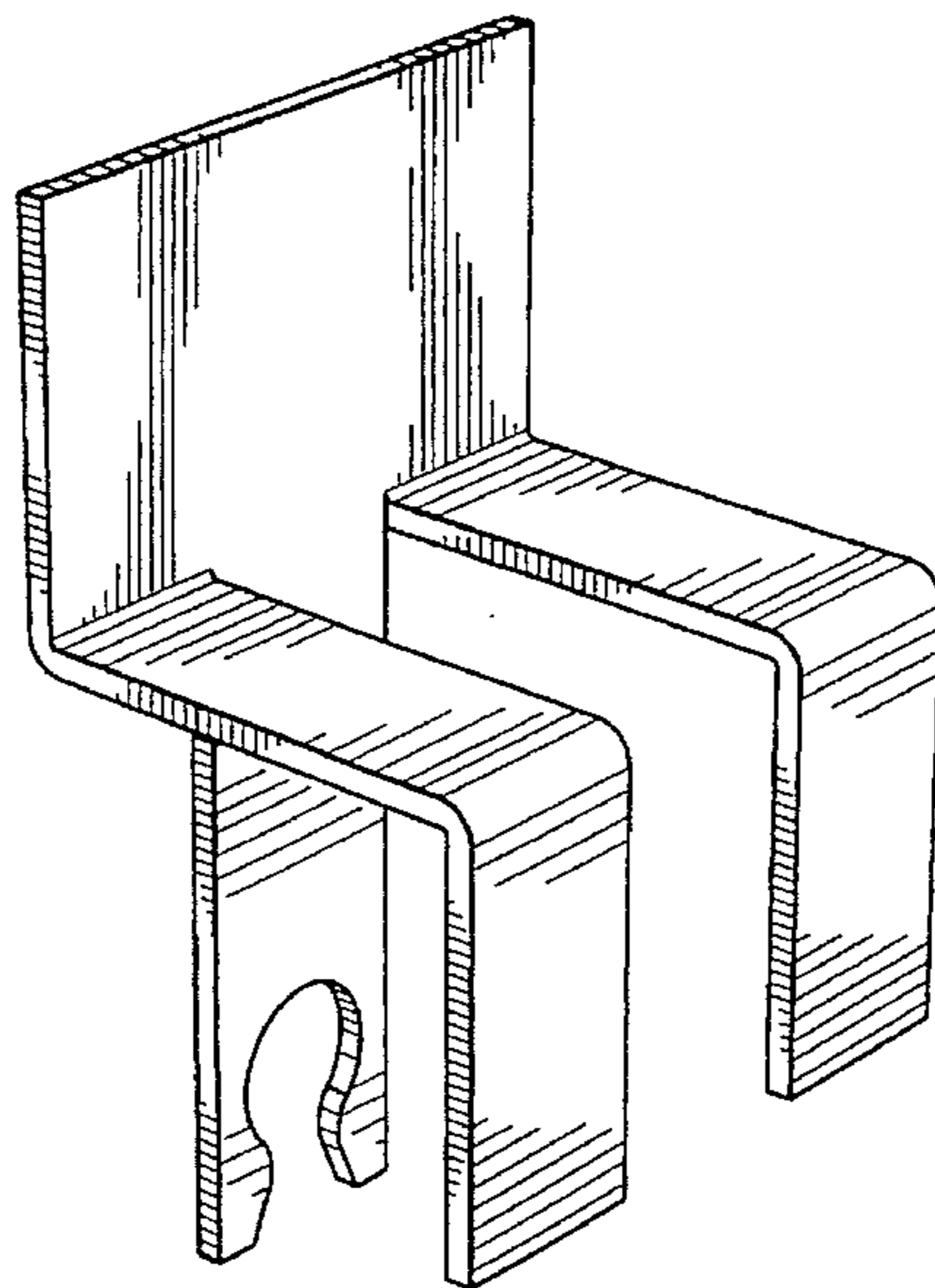


FIG. 12