



US00D366059S

United States Patent [19]

Evanoff et al.

[11] Patent Number: **Des. 366,059**

[45] Date of Patent: ****Jan. 9, 1996**

[54] TAPE CARTRIDGE

5,249,874 10/1993 Daggs 400/208

[75] Inventors: **James J. Evanoff**, Roseville; **Sten R. Gerfast**, Mendota Heights, both of Minn.; **John T. Gianfagna**, Marietta, Ohio; **LeRoy A. Kuta**, Mahtomedi; **Robert W. Tapani**, Oakdale, both of Minn.

FOREIGN PATENT DOCUMENTS

489717	6/1992	European Pat. Off.	400/208
3517591	11/1985	Germany	400/208
150782	8/1984	Japan	400/208
016179	1/1987	Japan	400/208
132658	6/1987	Japan	400/208
1602526	11/1981	United Kingdom	400/208

[73] Assignee: **Minnesota Mining and Manufacturing Company**, St. Paul, Minn.

Primary Examiner—Cathy Anne MacCormac
Attorney, Agent, or Firm—Gary L. Griswold; Walter N. Kim; Charles L. Dennis, II

[**] Term: **14 Years**

[57] CLAIM

[21] Appl. No.: **30,954**

The ornamental design for the tape cartridge, as shown.

[22] Filed: **Nov. 14, 1994**

DESCRIPTION

[52] U.S. Cl. **D18/56**; D18/43

FIG. 1 is a perspective view of a tape cartridge showing our new design;

[58] Field of Search 347/86, 43-44;
400/207-208; D18/56, 43

FIG. 2 is a right side elevational view of the design of FIG. 1;

[56] References Cited

U.S. PATENT DOCUMENTS

D. 257,497	4/1995	Gray et al.	D18/56
4,652,154	3/1987	Horiya et al.	400/208
4,990,006	2/1991	Hoftmann et al.	400/208
5,056,940	10/1991	Basile	400/208
5,069,563	12/1991	Daggs	400/208
5,178,475	1/1993	Seybold et al.	400/207
5,232,297	8/1993	Kitazawa	400/208

FIG. 3 is a bottom plan view of the design of FIG. 1;

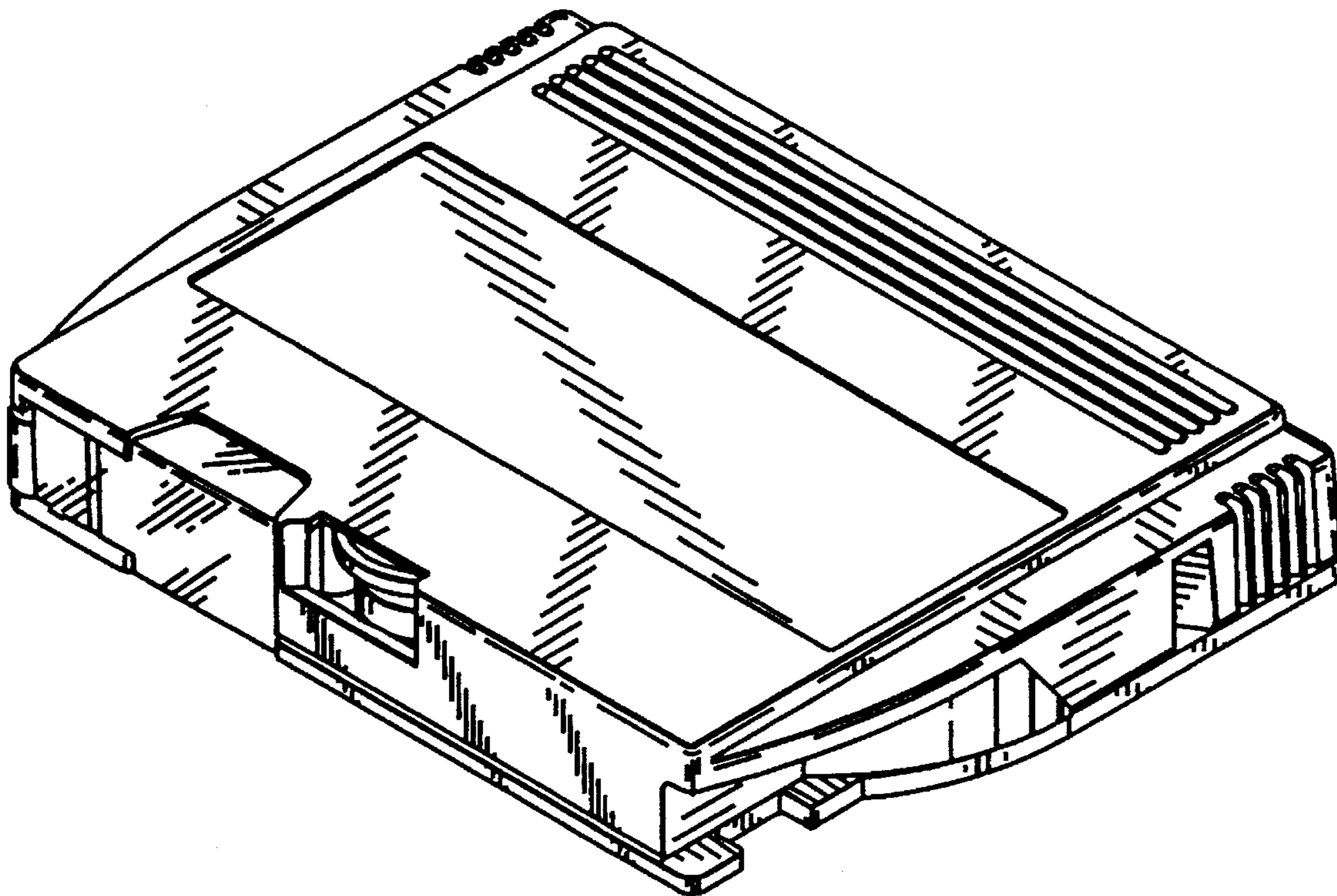
FIG. 4 is a left side elevational view of the design of FIG. 1;

FIG. 5 is a top plan view of the design of FIG. 1;

FIG. 6 is a front elevational view of the design of FIG. 1; and,

FIG. 7 is a back elevational view of the design of FIG. 1.

1 Claim, 2 Drawing Sheets



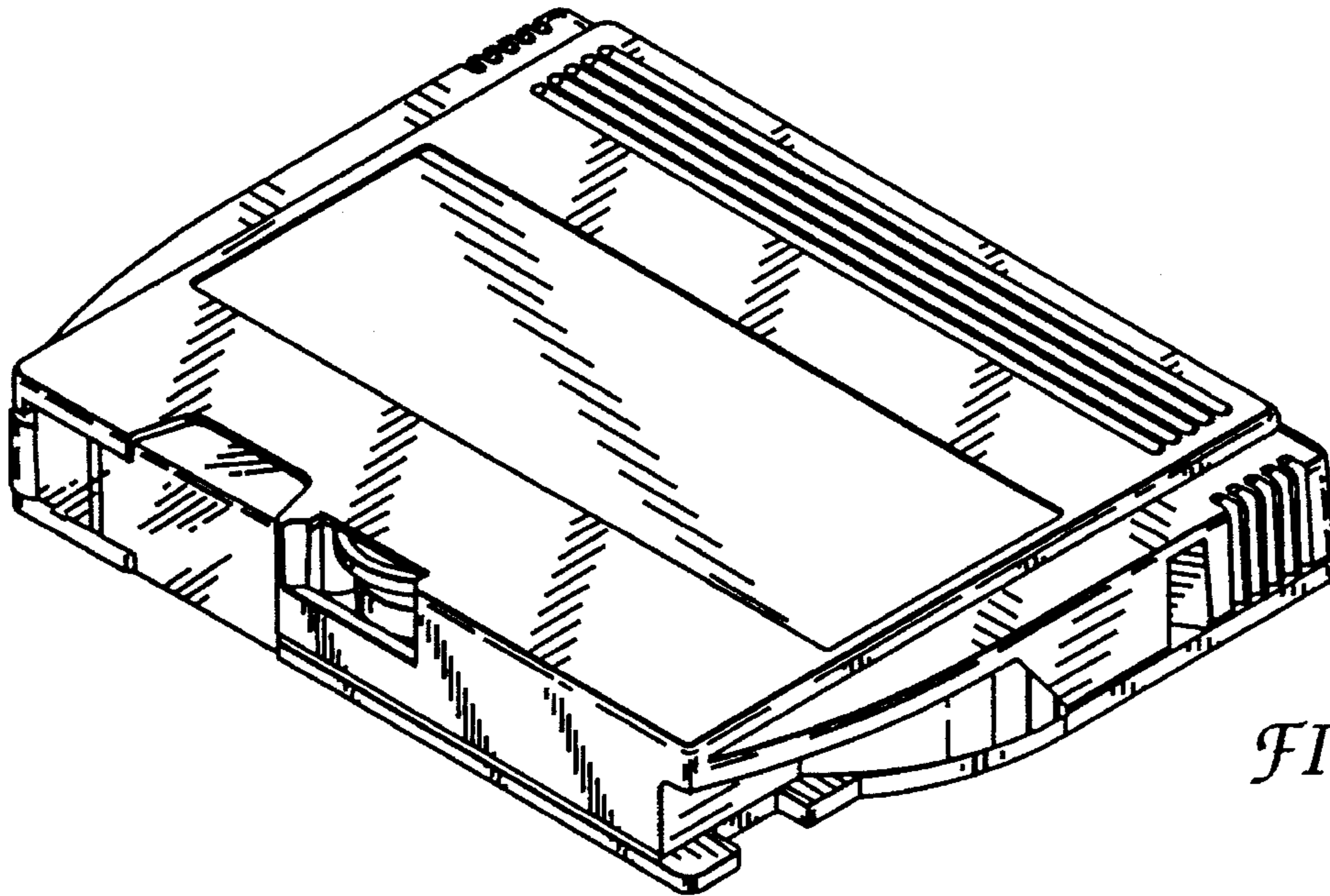


FIG. 1

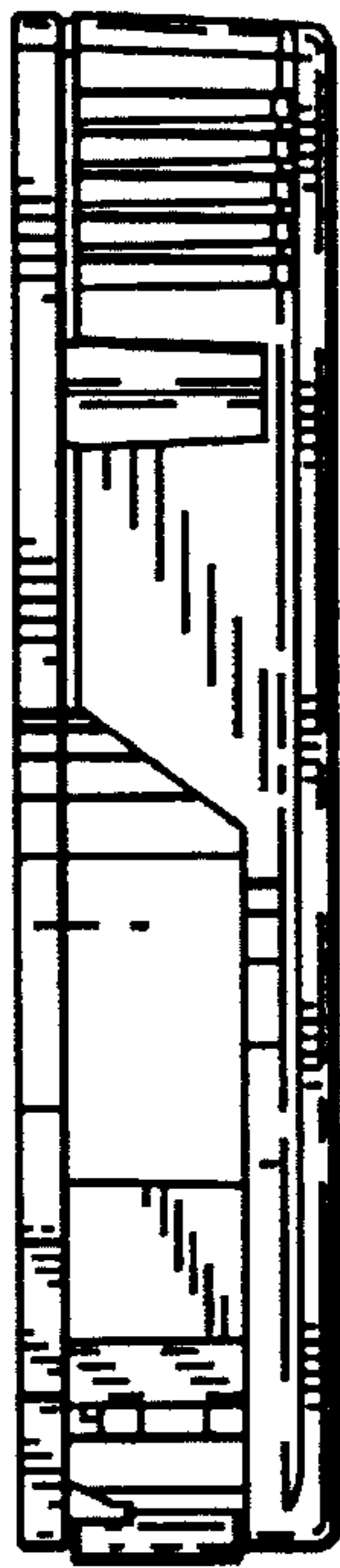


FIG. 2

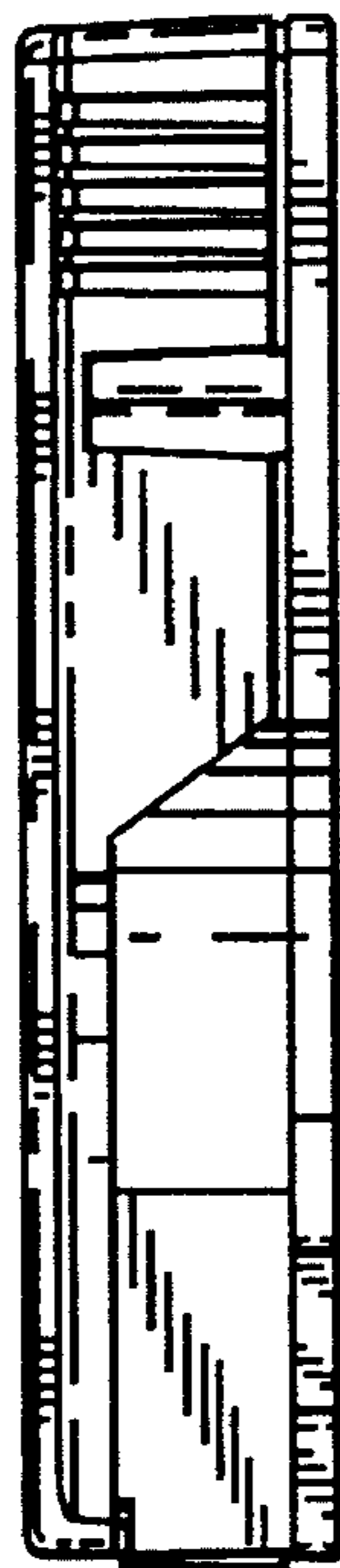


FIG. 4

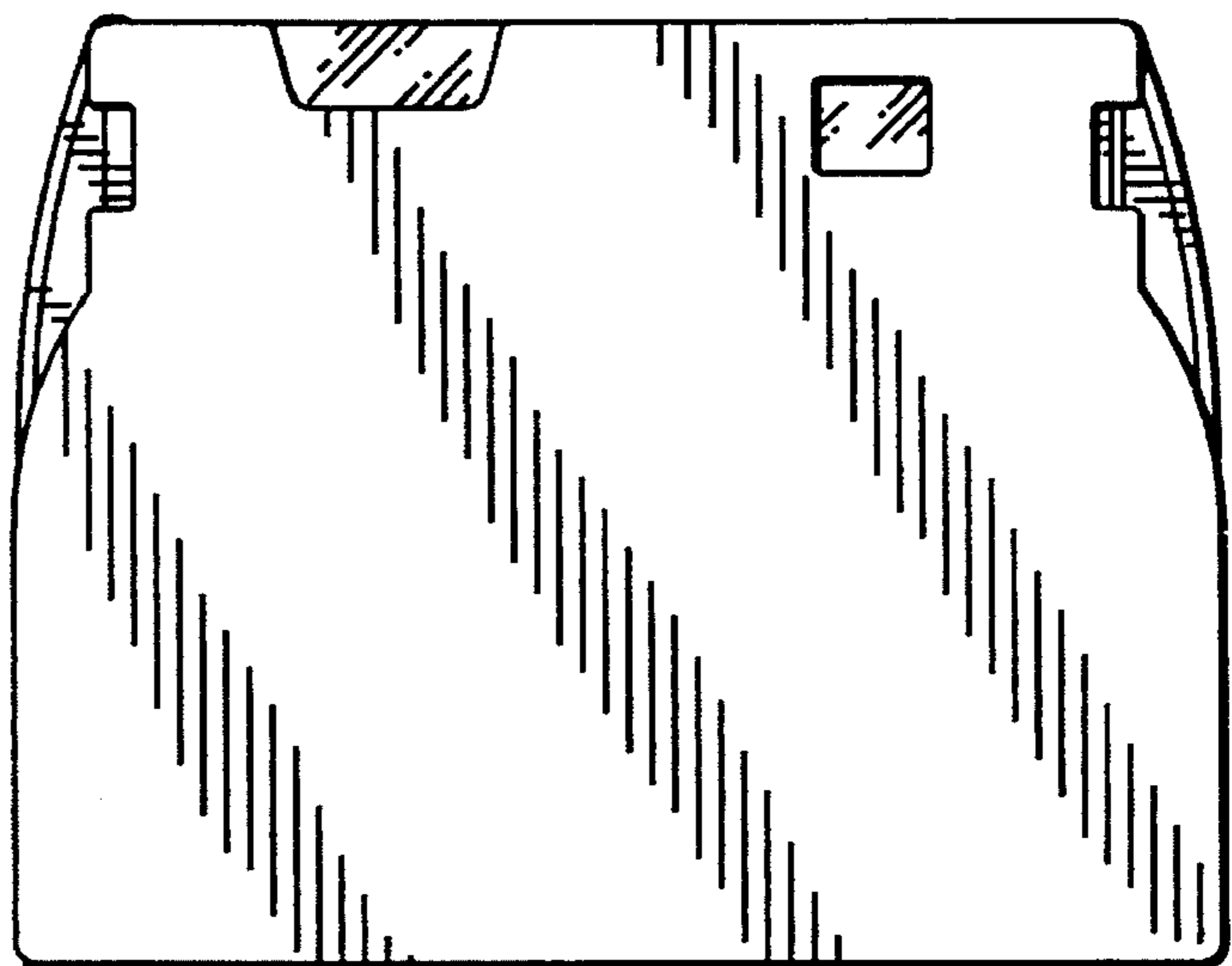


FIG. 3

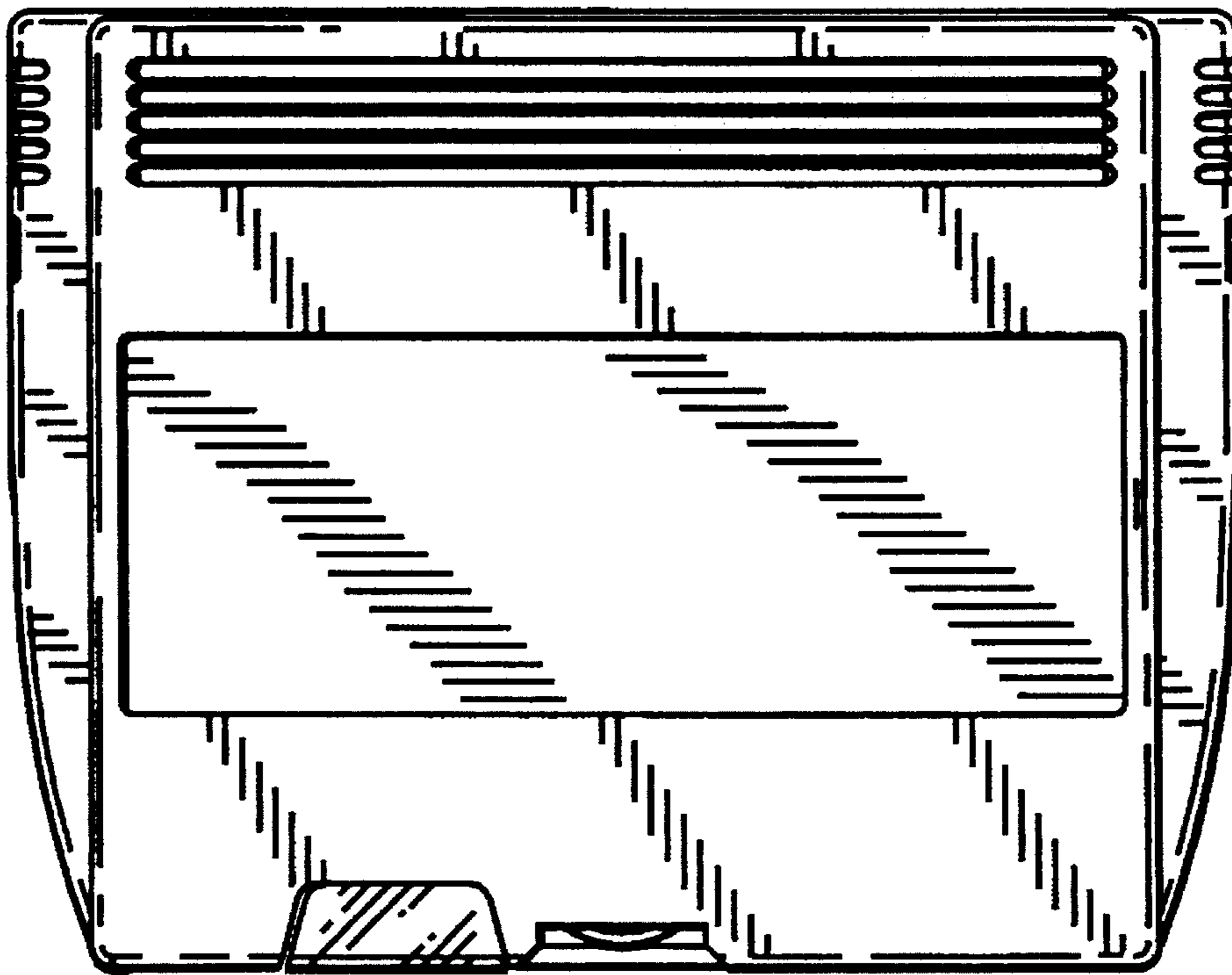


FIG. 5

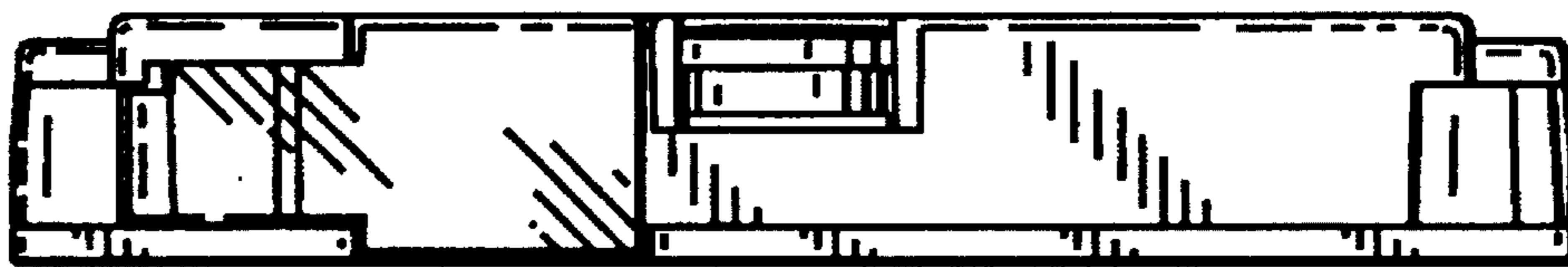


FIG. 6

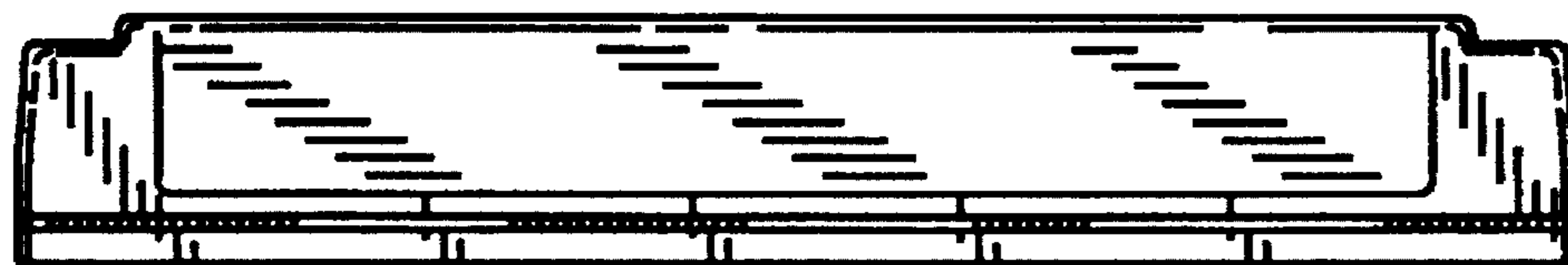


FIG. 7