



US00D366055S

United States Patent [19]

Matsunaga et al.

[11] Patent Number: **Des. 366,055**

[45] Date of Patent: ****Jan. 9, 1996**

[54] **SCREEN FOR A LIQUID CRYSTAL PROJECTOR**

[75] Inventors: **Tsuyoshi Matsunaga**, Tokorozawa; **Akihiro Miyahara**, Tokyo; **Hideo Takamoto**, Chiba, all of Japan

[73] Assignee: **Casio Computer Co., Ltd.**, Tokyo, Japan

[**] Term: **14 Years**

[21] Appl. No.: **32,439**

[22] Filed: **Dec. 19, 1994**

[30] **Foreign Application Priority Data**

Jul. 27, 1994 [JP] Japan 6-22334

[52] U.S. Cl. **D16/241**; 160/24; 359/461

[58] Field of Search **D14/128**; **D6/300**;
D16/241; D20/10; 160/24, 370.21; 354/290,
291; 359/443, 451, 461

[56] **References Cited**

PUBLICATIONS

Brochure describing ACT VISION projection screen, Casio Computer Co., Ltd., Tokyo, Japan, Sep. 1994.

Primary Examiner—Ted Shooman

Assistant Examiner—Adir Aronovich
Attorney, Agent, or Firm—Frishauf, Holtz, Goodman,
Langer & Chick

[57] **CLAIM**

The ornamental design for a screen for a liquid crystal projector, as shown and described.

DESCRIPTION

FIG. 1 is a front elevational view of a screen for a liquid crystal projector showing our new design;

FIG. 2 is a right side elevational view thereof, the left side elevational view being identical to the right side elevational view;

FIG. 3 is a top plan view thereof;

FIG. 4 is a bottom plan view thereof;

FIG. 5 is a rear elevational view thereof;

FIG. 6 is a front, right-side and top perspective view thereof;

FIG. 7 is a perspective view of the screen, which is received in the screen case with the cover open; and,

FIG. 8 is a perspective view of the screen case in a closed condition, in which the screen is received therein.

1 Claim, 4 Drawing Sheets

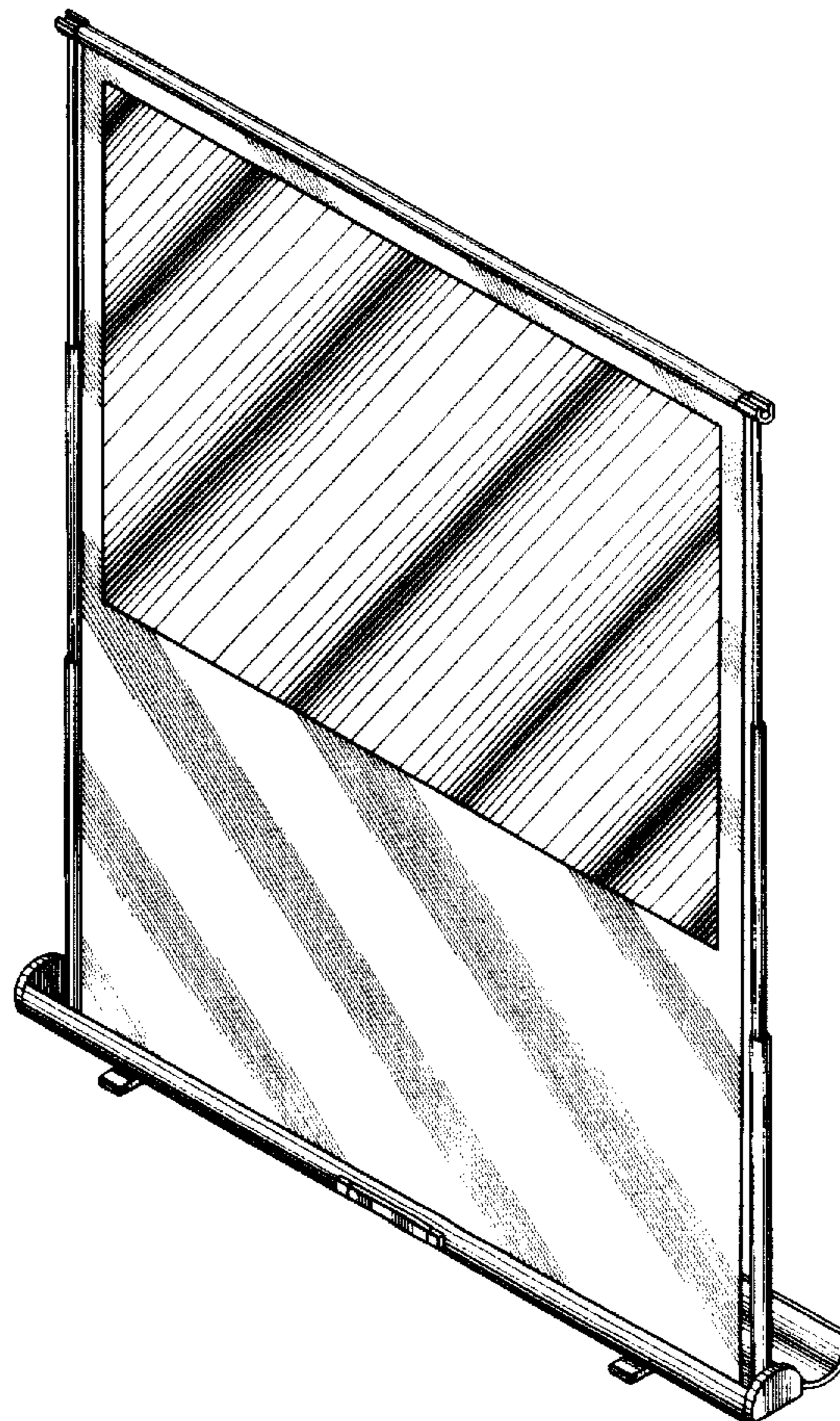


FIG. 3

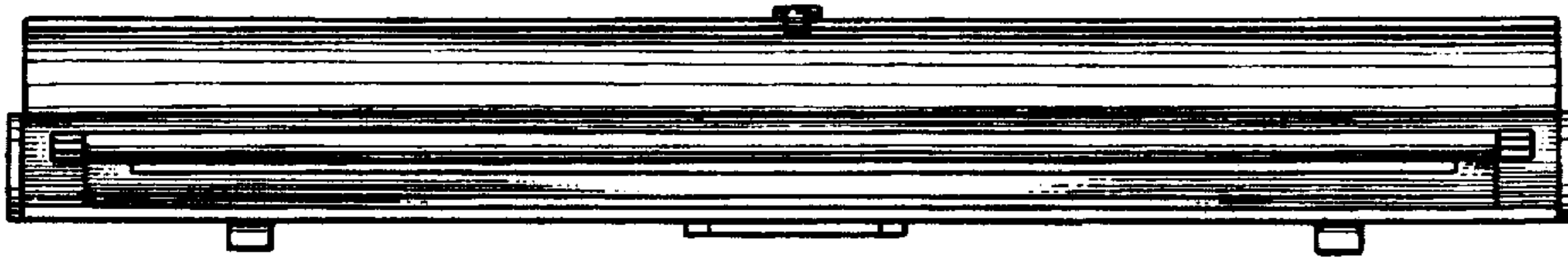


FIG. 1

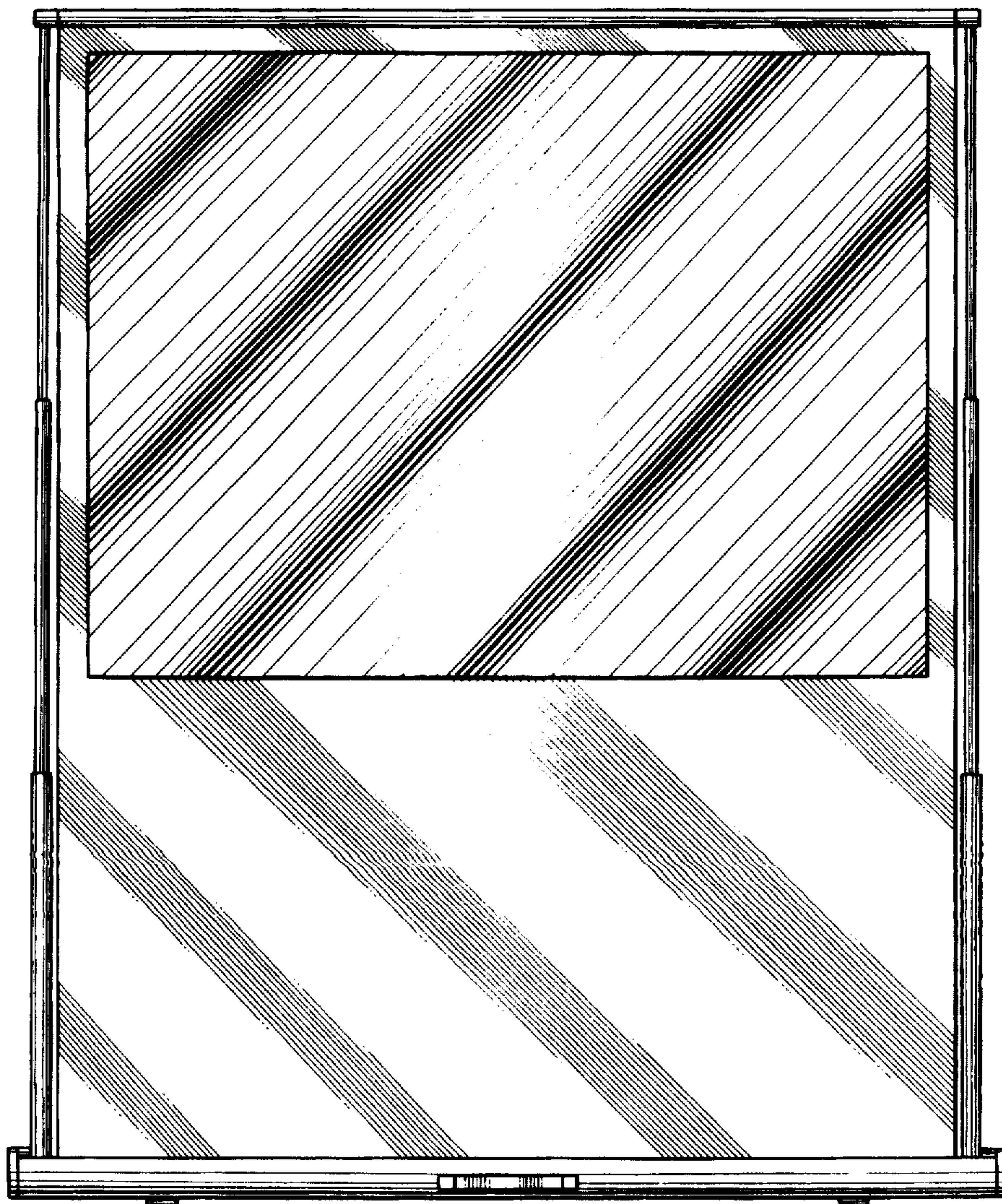


FIG. 2

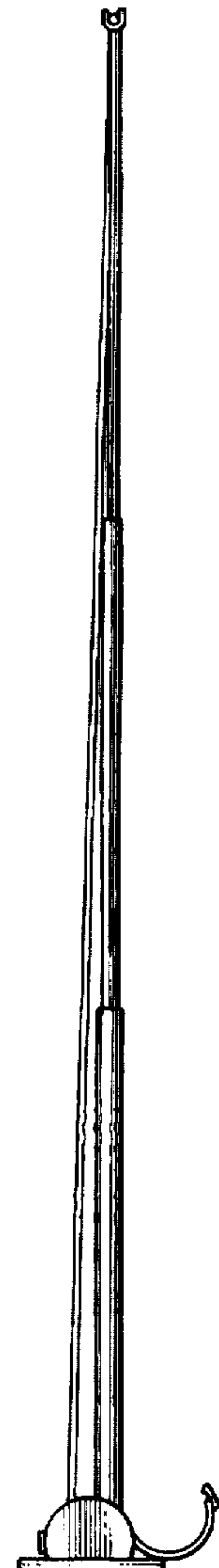


FIG. 4

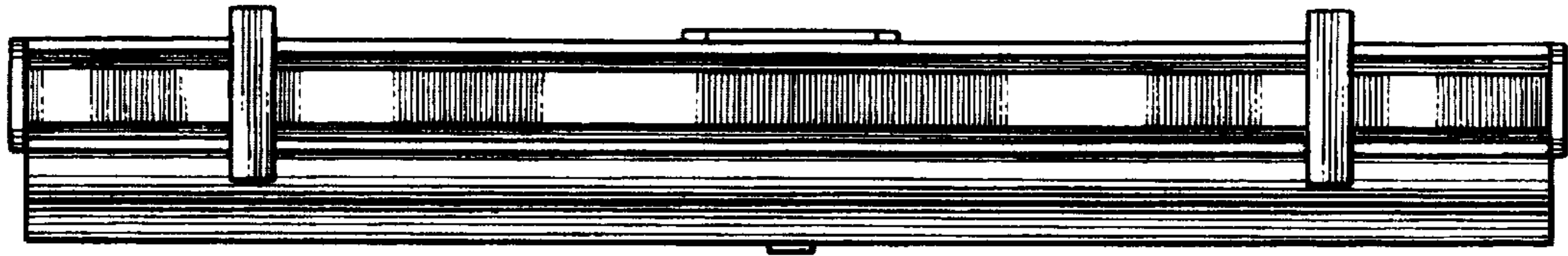
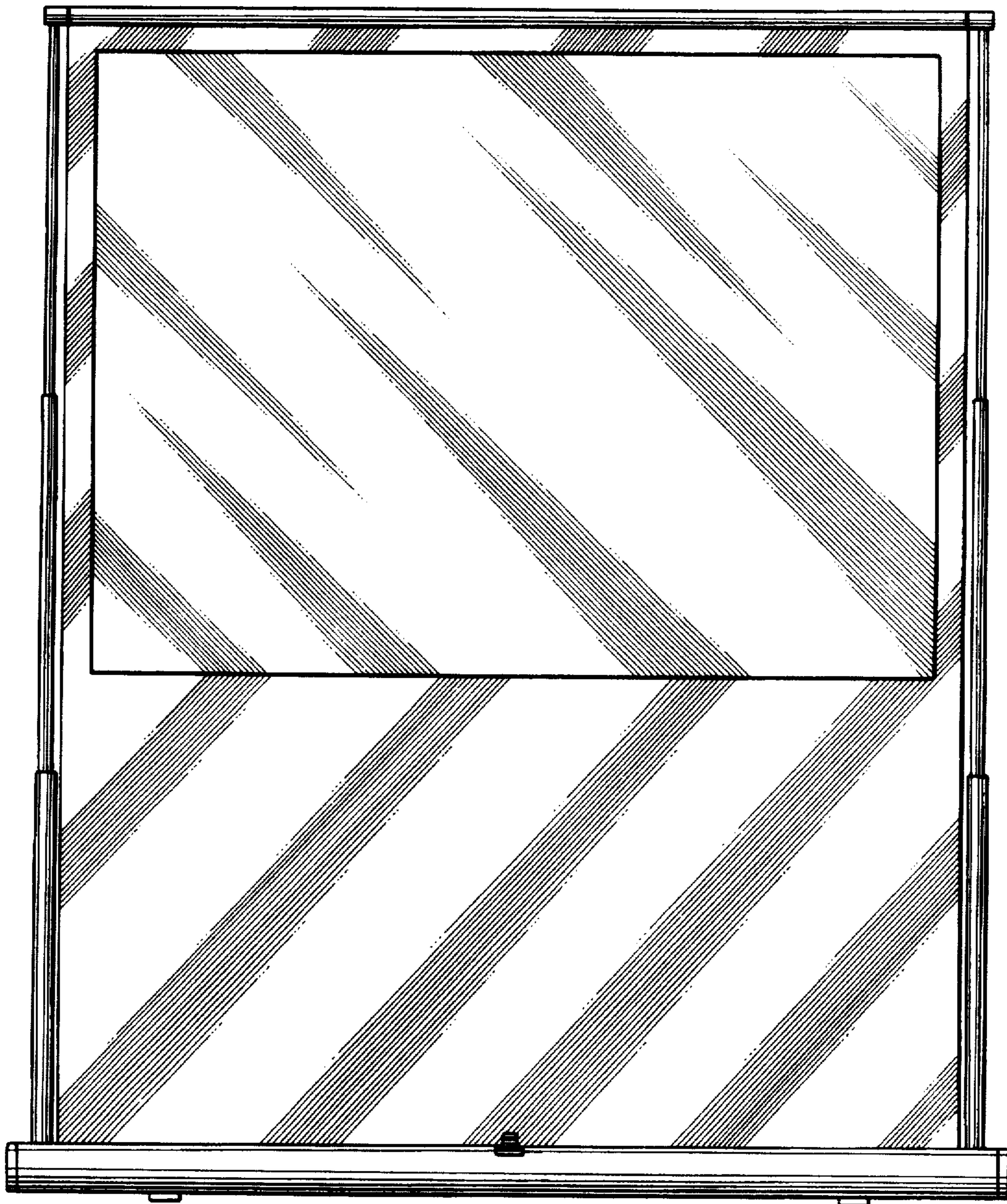
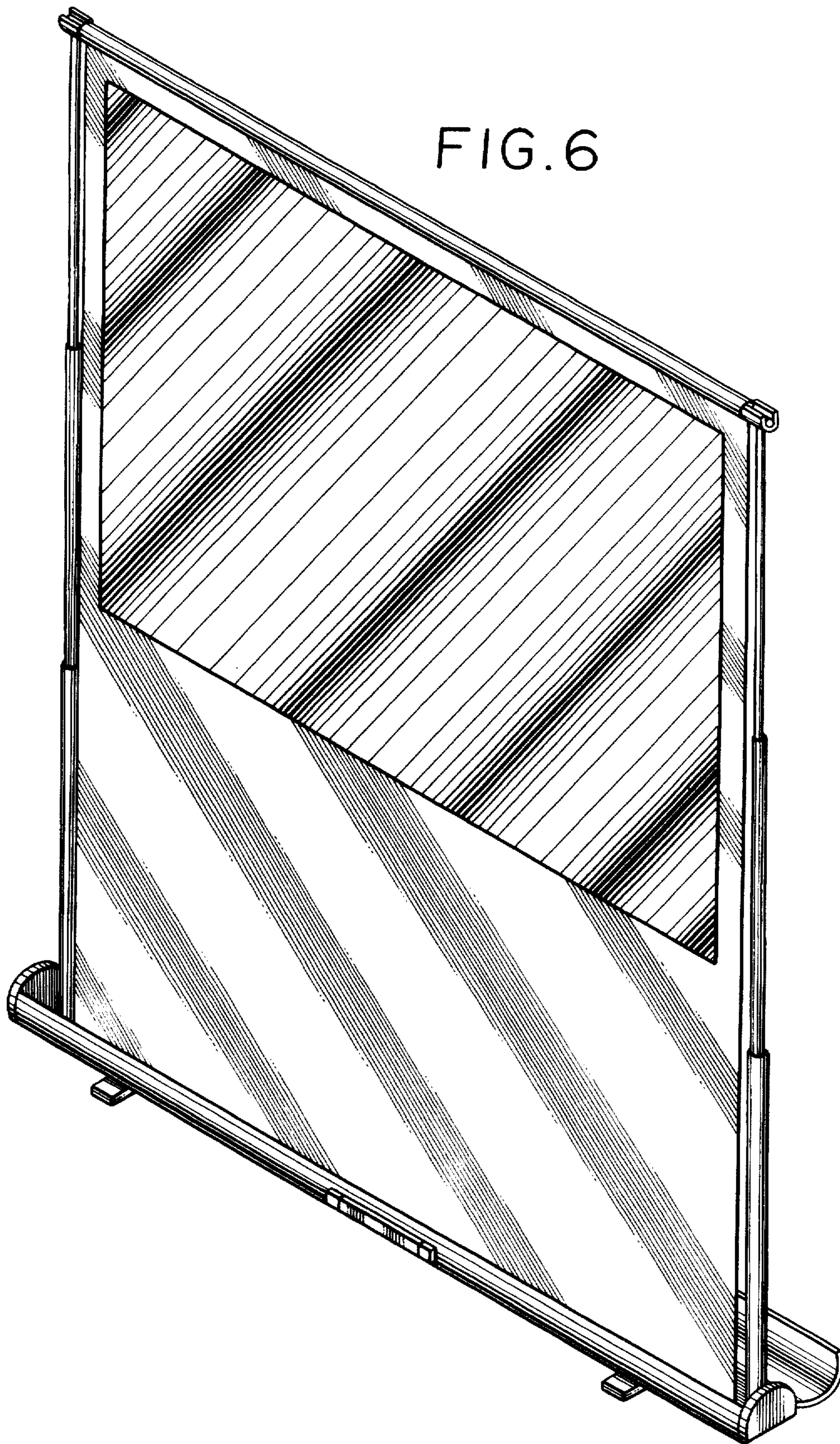
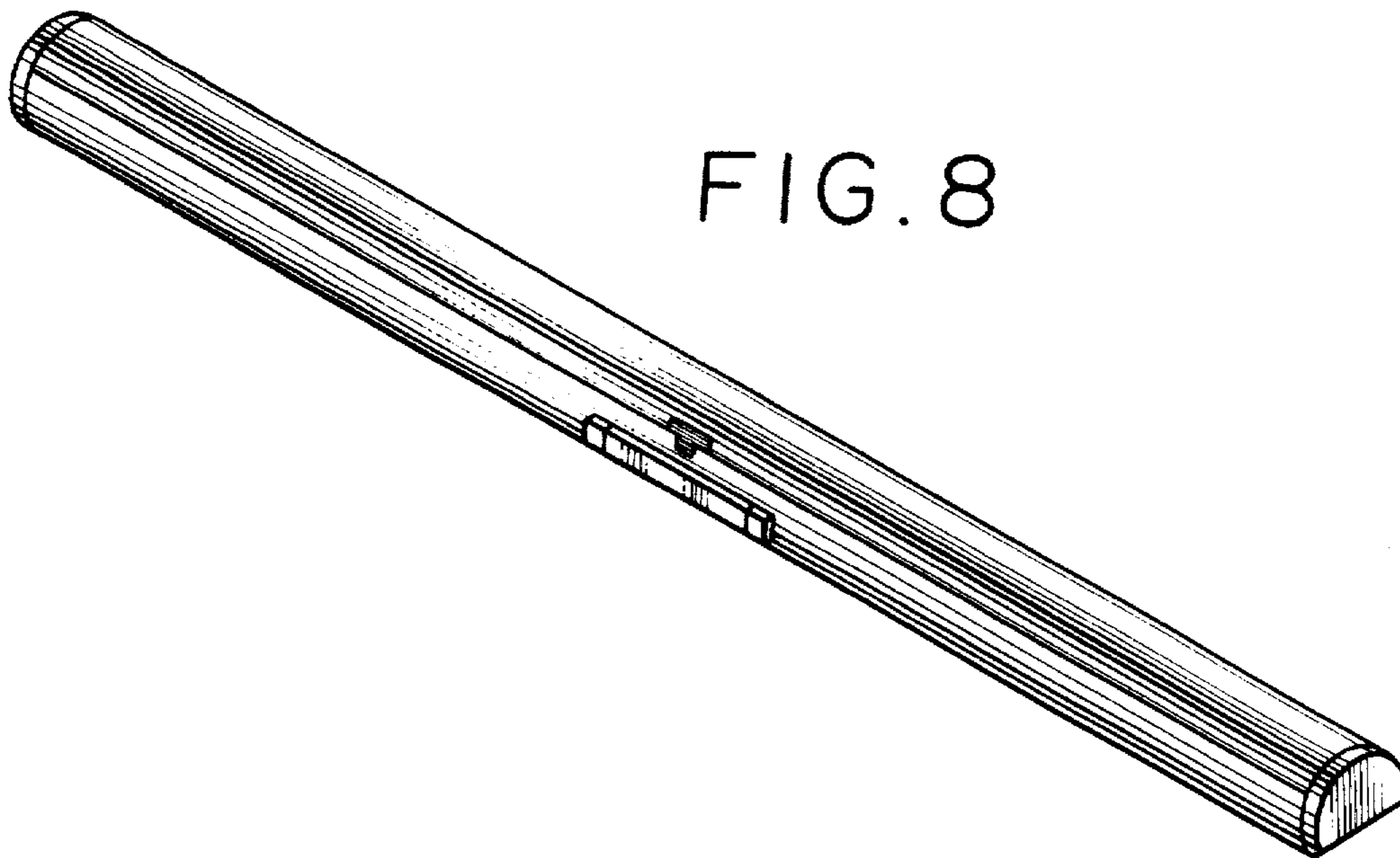
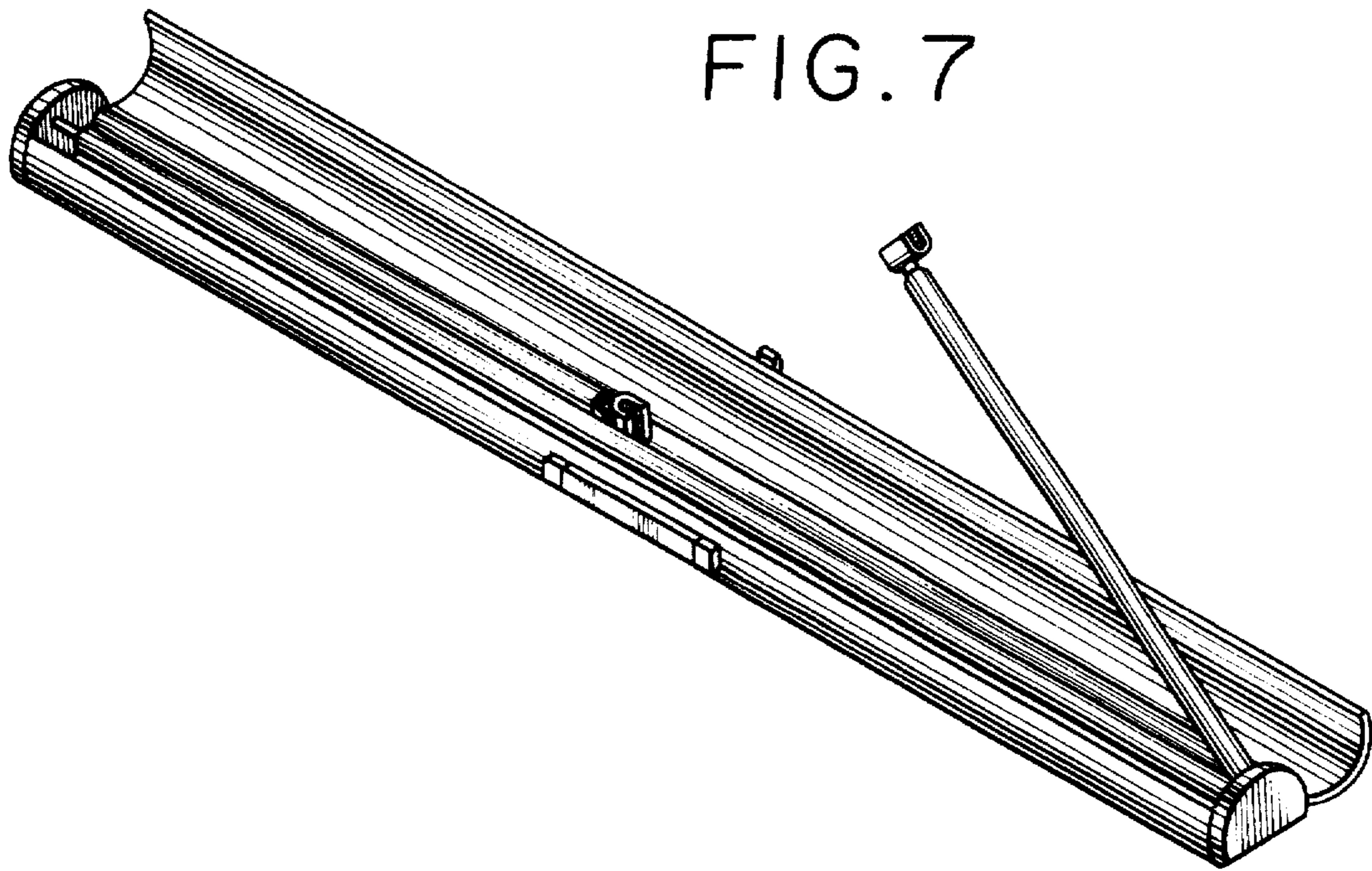


FIG. 5







UNITED STATES PATENT AND TRADEMARK OFFICE
CERTIFICATE OF CORRECTION

PATENT NO. : Des. 366,055
DATED : January 9, 1996
INVENTOR(S) : Tsuyoshi MATSUNAGA et al.

It is certified that error appears in the above-identified patent and that said Letters Patent is hereby corrected as shown below:

Title Page, Item [56] References Cited, insert

-- U.S. PATENT DOCUMENTS

D.313.431 1/1991 Jaskiel Jr. et al D20/10
D.323,338 1/1992 Court D16/241
3,251,264 5/1966 Jacobson 359/461
4,953,609 9/1990 Annin et al 160/24

FOREIGN PATENT DOCUMENTS

1,513,412 10/1989 Soviet Union 359/461
4-70824 3/1992 Japan 359/443 --.

Signed and Sealed this
Twenty-fifth Day of March, 1997

Attest:



BRUCE LEHMAN

Attesting Officer

Commissioner of Patents and Trademarks