



US00D366054S

**United States Patent** [19]  
**Eguchi**

[11] **Patent Number: Des. 366,054**  
[45] **Date of Patent: \*\*Jan. 9, 1996**

[54] **INDUSTRIAL ROBOT**

FOREIGN PATENT DOCUMENTS

[75] Inventor: **Yoshiaki Eguchi**, Tokyo, Japan

809823 11/1990 Japan .  
843770 4/1992 Japan .

[73] Assignee: **Janome Sewing Machine Co., Ltd.**,  
Tokyo, Japan

*Primary Examiner*—Antoine Duval Davis  
*Attorney, Agent, or Firm*—Lowe, Price, LeBlanc & Becker

[\*\*] Term: **14 Years**

[57] **CLAIM**

[21] Appl. No.: **29,767**

The ornamental design for an industrial robot, as shown.

[22] Filed: **Oct. 17, 1994**

**DESCRIPTION**

[52] **U.S. Cl.** ..... **D15/199; D15/132**

[58] **Field of Search** ..... **D10/46; D15/132,**  
**D15/199; 29/26 A; 81/176.15, 176.3, 443,**  
**461, 470; 408/234, 237; 411/396, 407,**  
**910, 911; 414/217, 218**

FIG. 1 is a perspective view of the industrial robot embody-  
ing my new design;  
FIG. 2 is a front view thereof;  
FIG. 3 is a rear view thereof;  
FIG. 4 is a plan view thereof;  
FIG. 5 is a bottom view thereof;  
FIG. 6 is a left side view thereof; and,  
FIG. 7 is a right side view thereof.

[56] **References Cited**

**U.S. PATENT DOCUMENTS**

D. 335,088 4/1993 Raleigh ..... D10/46  
3,973,859 8/1976 Huber et al. .... 408/237 X  
5,375,952 12/1994 Line ..... 408/234 X

**1 Claim, 7 Drawing Sheets**

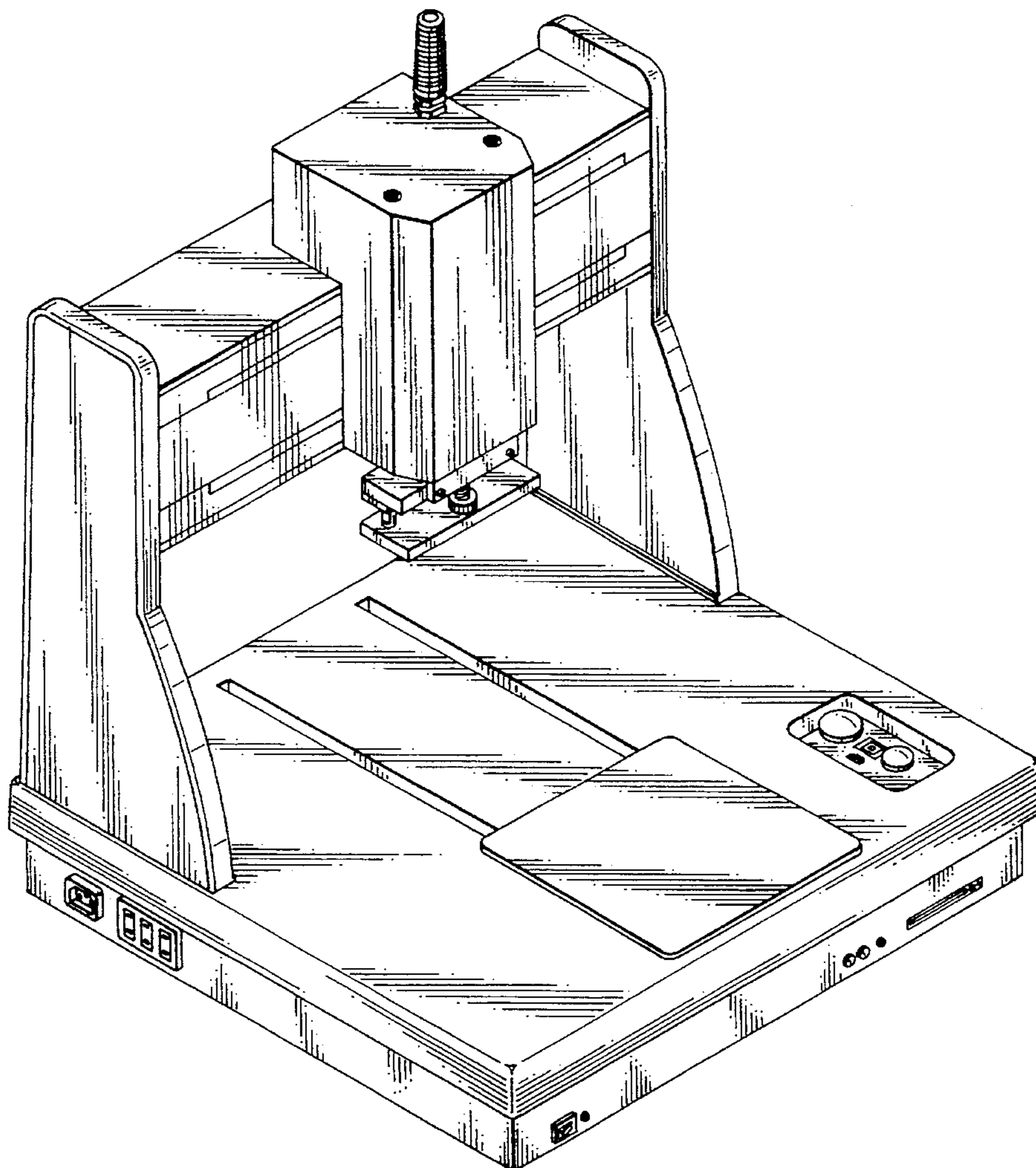


FIG. 1

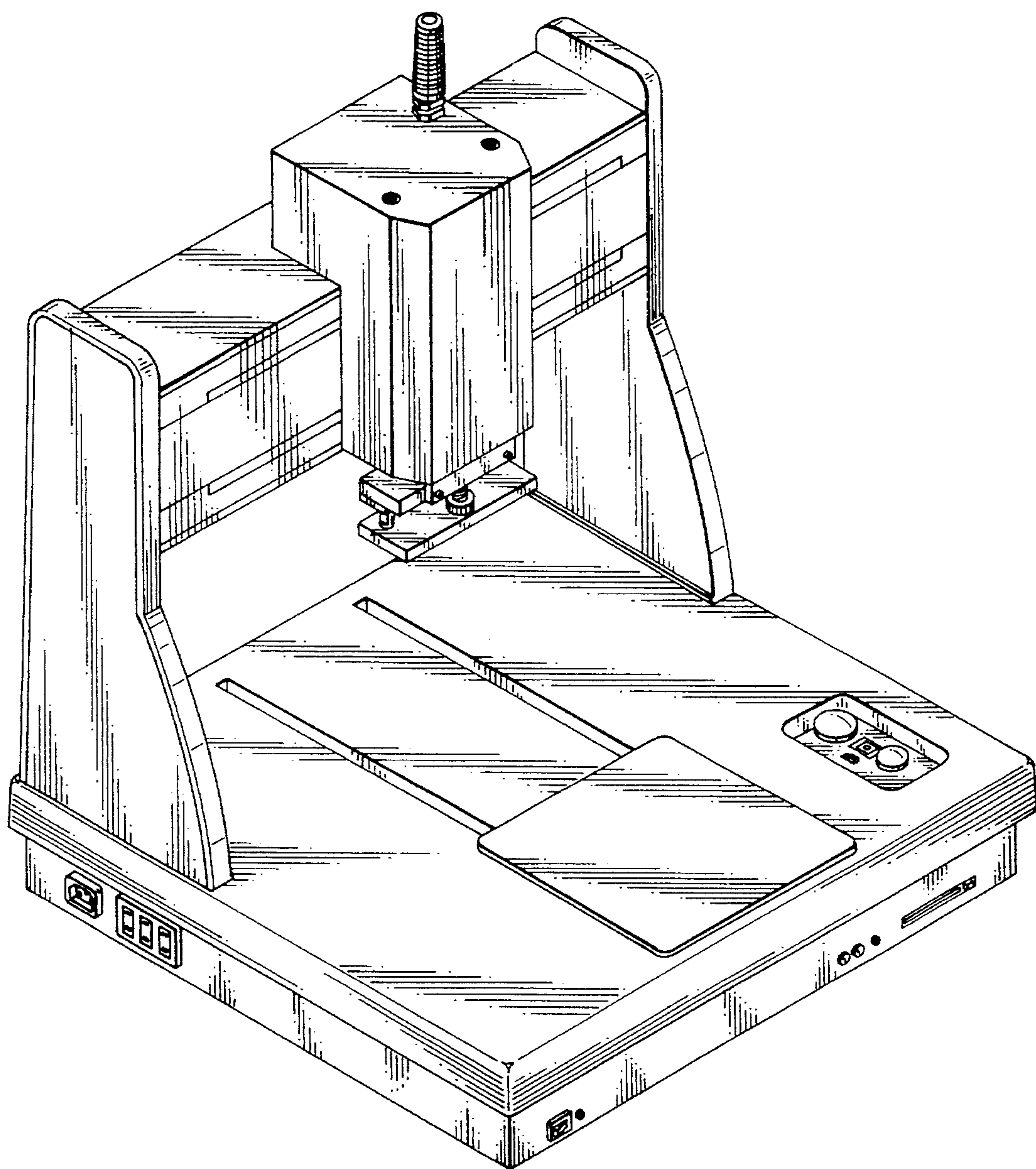


FIG. 2

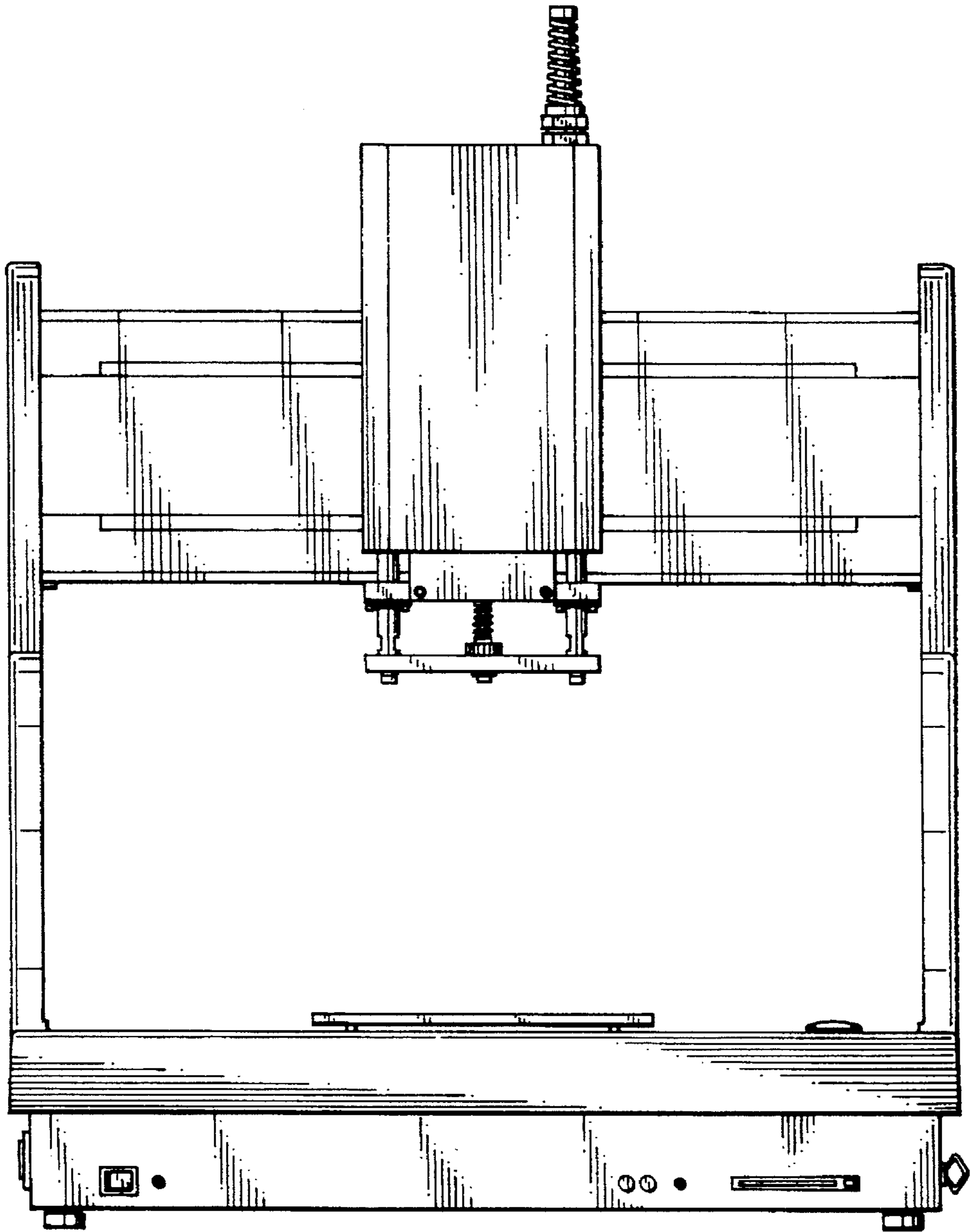


FIG. 3

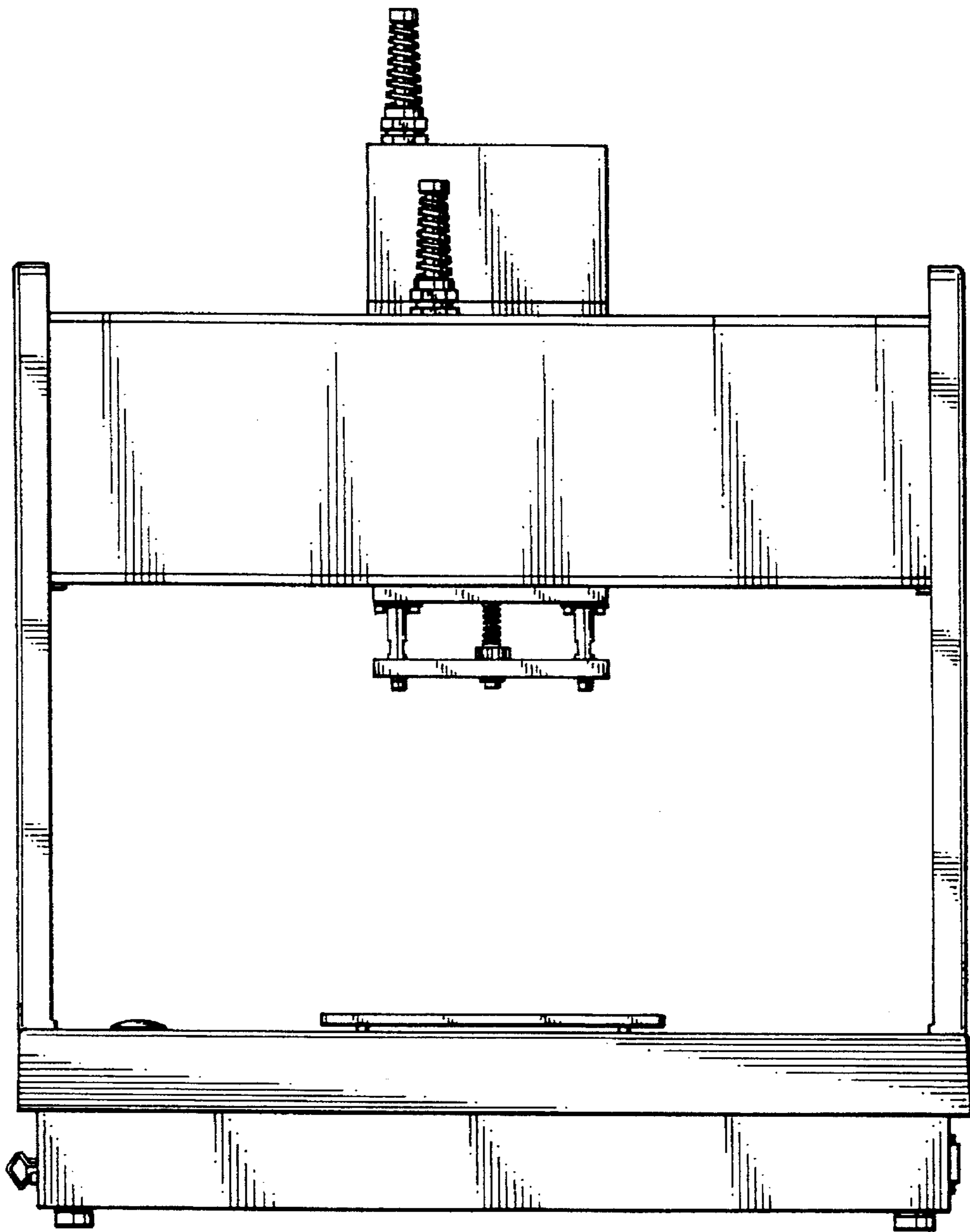
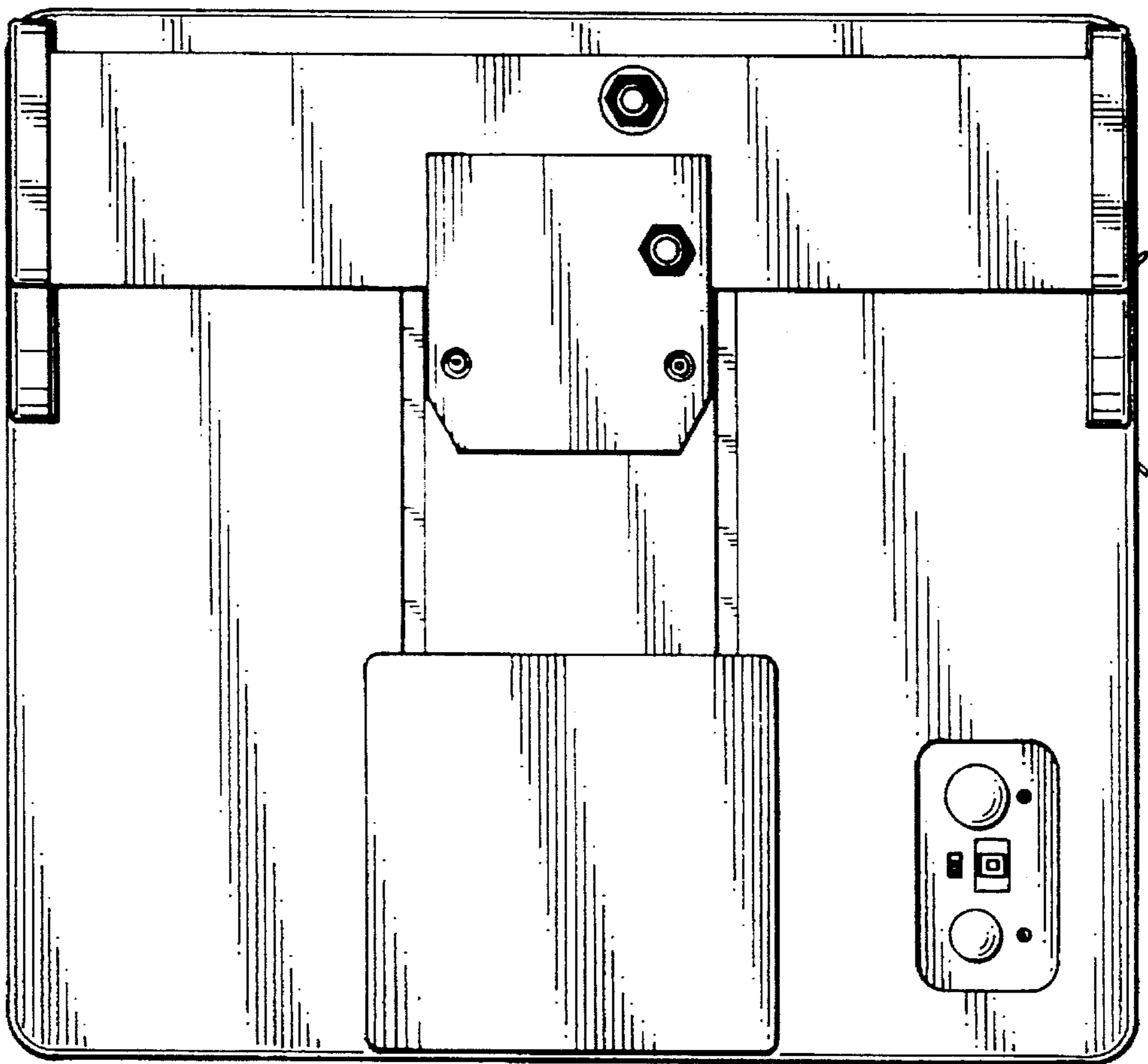




FIG. 4



*FIG. 5*

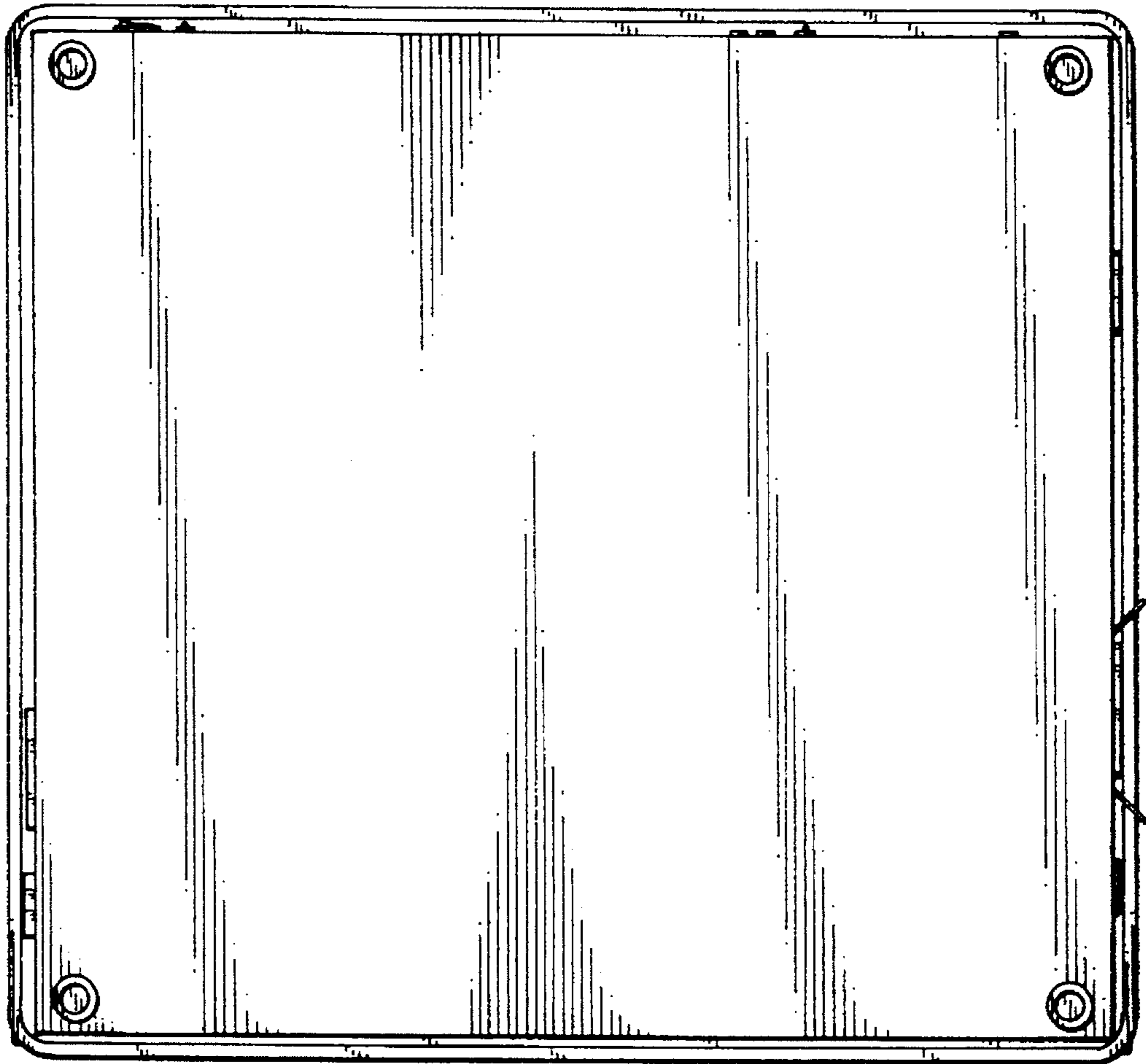


FIG. 6

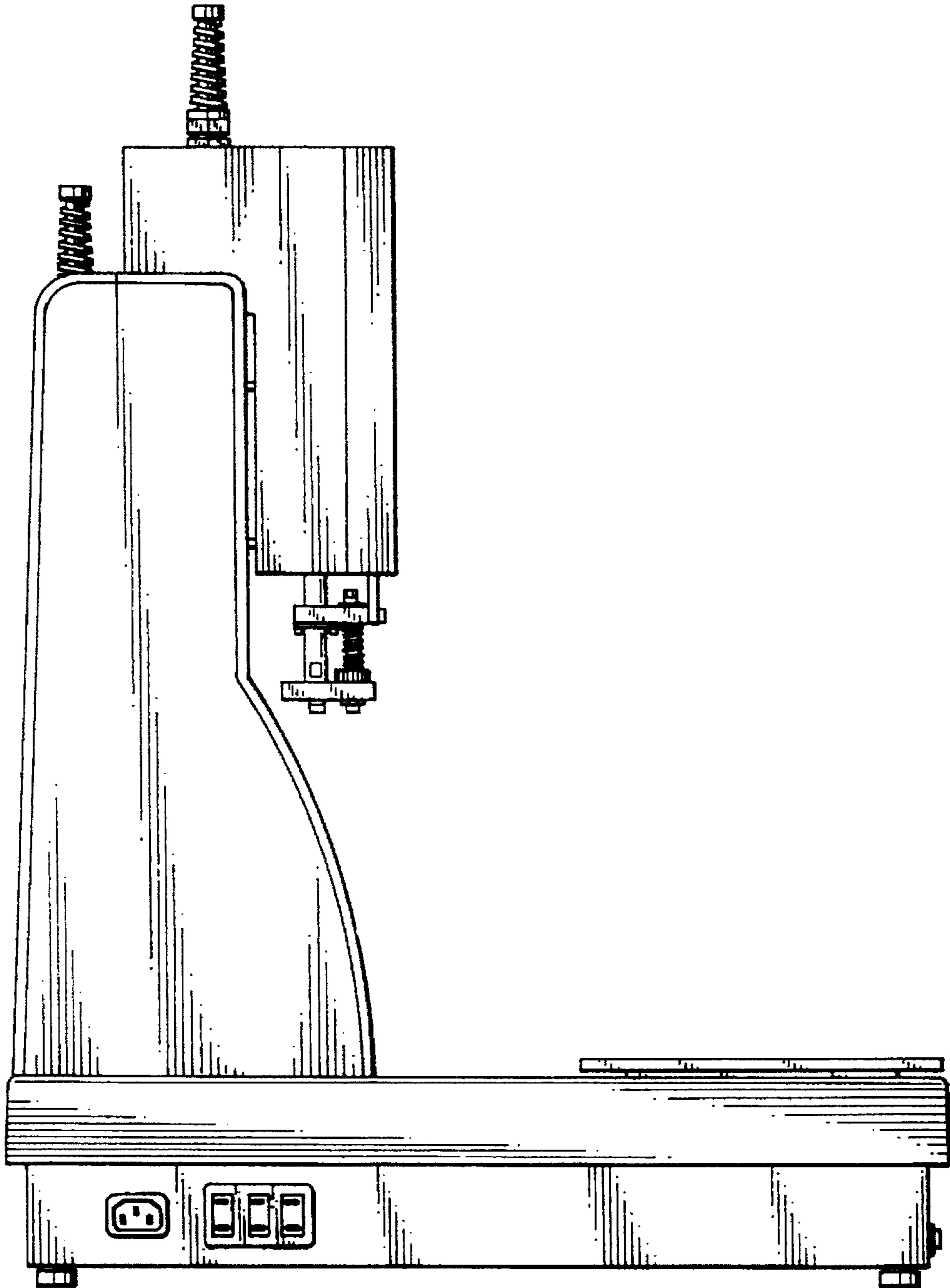


FIG. 7

