



US00D366053S

United States Patent [19]

Neumann et al.

[11] Patent Number: **Des. 366,053**

[45] Date of Patent: ****Jan. 9, 1996**

[54] **MACHINE FOR FILLING CIGARETTE TUBES**

[75] Inventors: **Manfred Neumann; Josef Lier**, both of Radevormwald, Germany

[73] Assignee: **Gizeh-Werk GmbH**, Bergneustadt, Germany

[**] Term: **14 Years**

[21] Appl. No.: **16,829**

[22] Filed: **Dec. 27, 1993**

[30] **Foreign Application Priority Data**

Jun. 26, 1993 [DE] Germany 93 05 071.2

[52] U.S. Cl. **D15/145**

[58] Field of Search D15/145, 146, D15/199; 53/148, 236, 250, 376.7; 131/70, 71, 72, 73, 74, 75; 221/200, 251, 292; 222/440

[56] **References Cited**

U.S. PATENT DOCUMENTS

5,157,894 10/1992 Mini et al. 53/236 X
5,179,817 1/1993 Barnes et al. 53/148

Primary Examiner—Antoine Duval Davis
Attorney, Agent, or Firm—Foley & Lardner

[57] **CLAIM**

The ornamental design for a machine for filling cigarette tubes, as shown and described.

DESCRIPTION

FIG. 1 is a perspective front side view of a machine for filling cigarette tubes showing my new design; FIG. 2 is a bottom side perspective view thereof; FIG. 3 is a rear side perspective view thereof; FIG. 4 is a rear side perspective view thereof showing the slide in an eject position; FIG. 5 is a left side perspective view thereof; FIG. 6 is a left side perspective view thereof showing the slide in a retracted position and the cover in an open position; FIG. 7 is a front side perspective view thereof showing the slide in a retracted position and the cover in an open position; FIG. 8 is a right side perspective view thereof; and, FIG. 9 is a bottom perspective view thereof with the slide in an eject position.

1 Claim, 5 Drawing Sheets

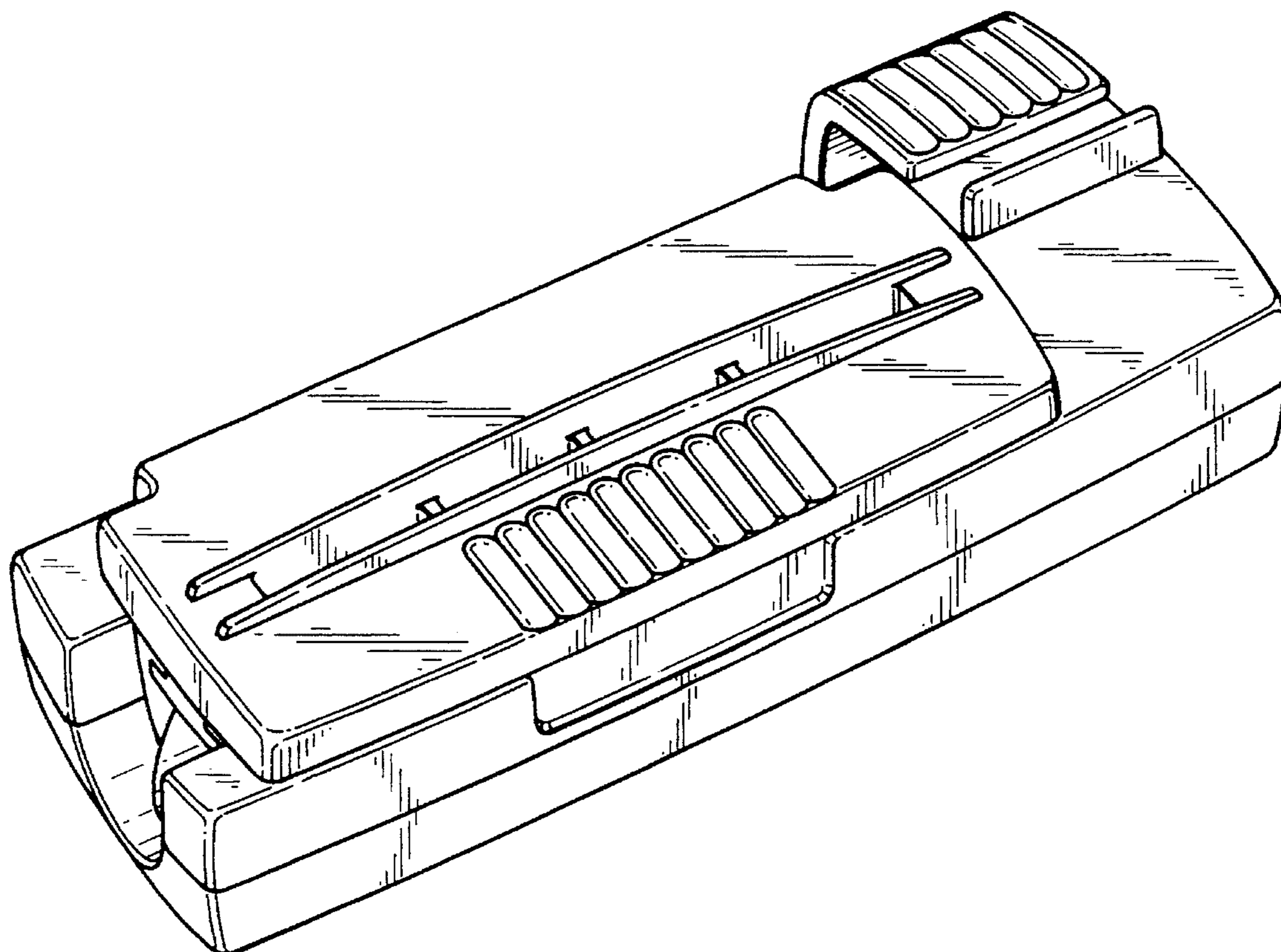


Fig. 1

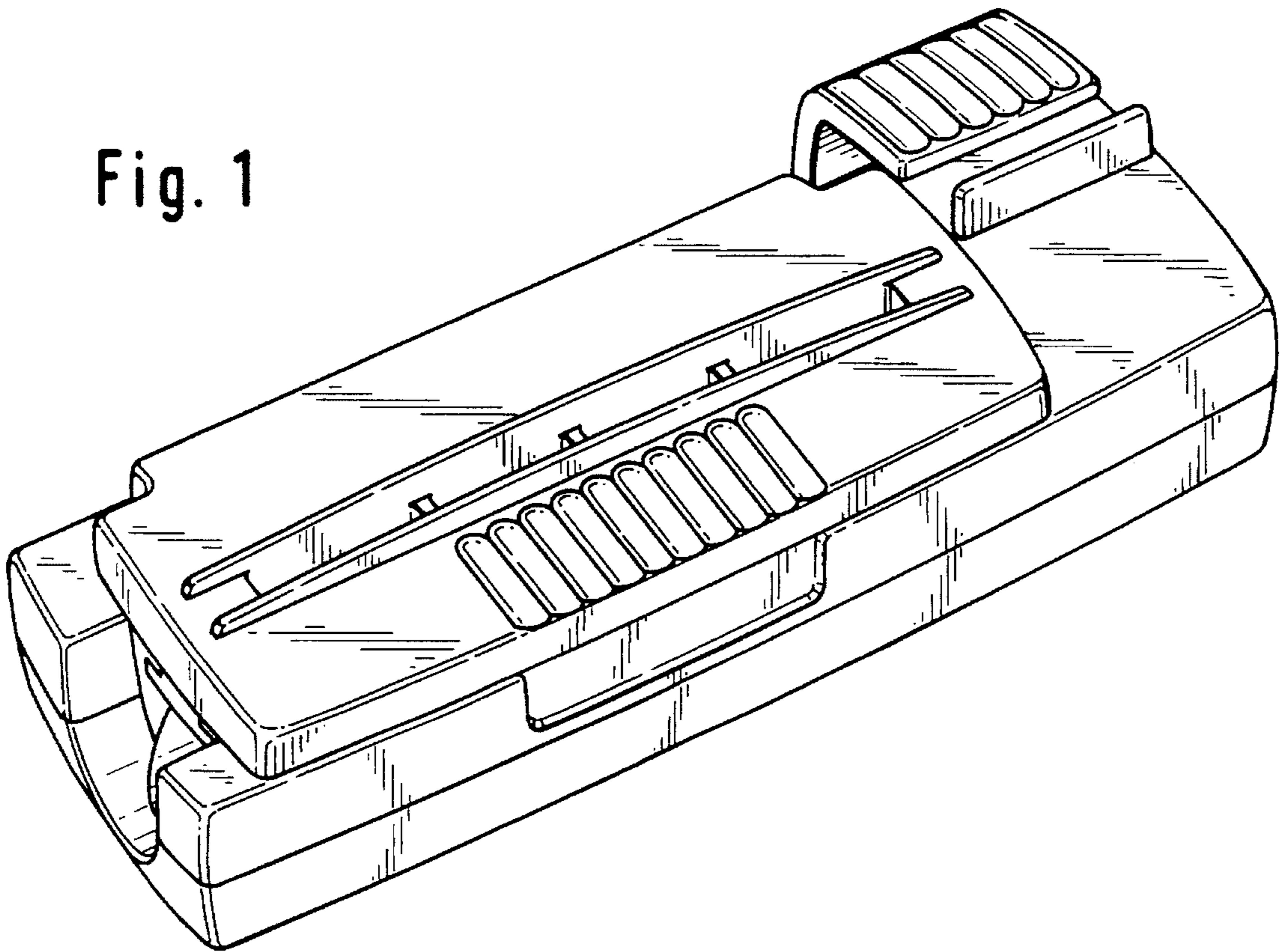


Fig. 2

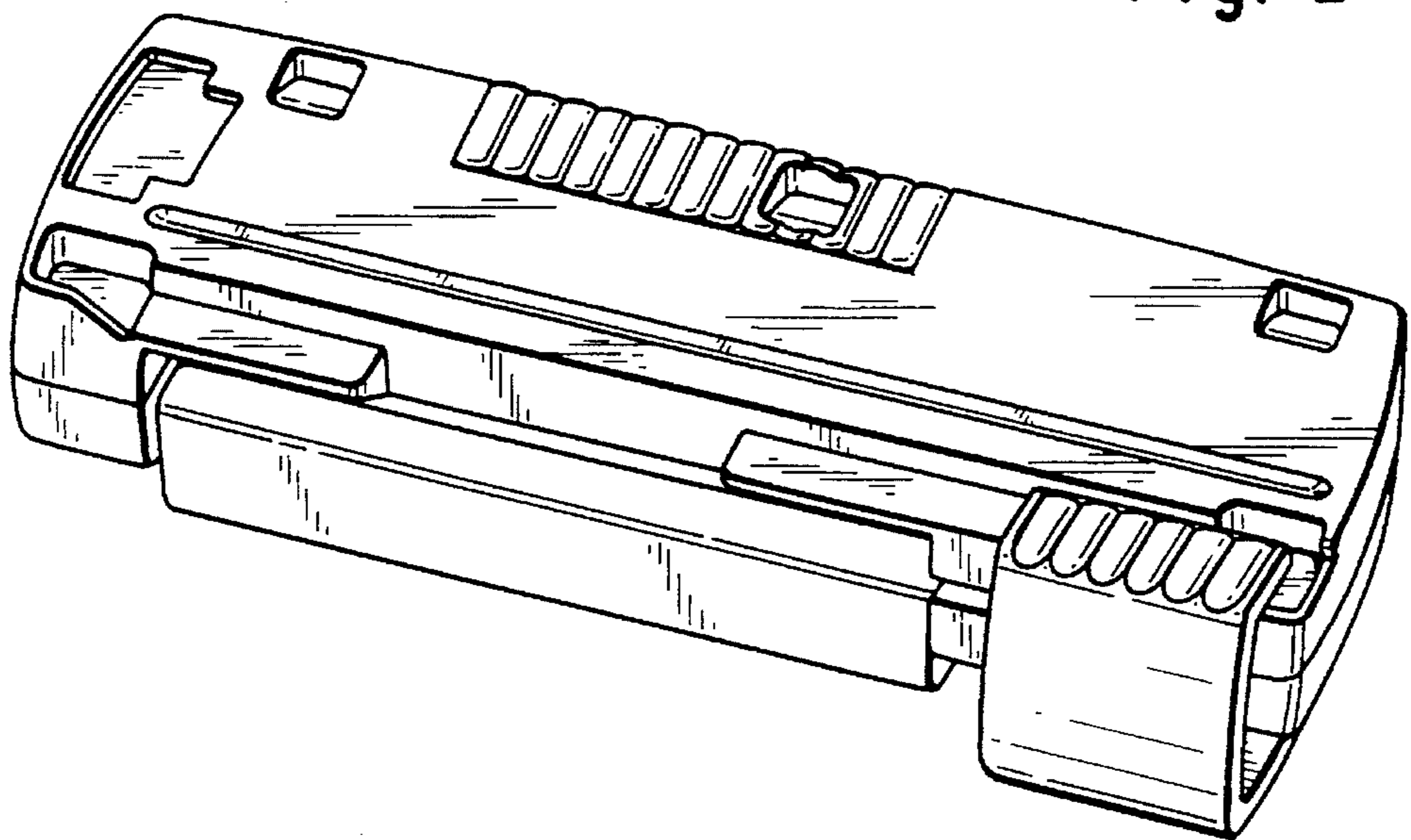


Fig. 3

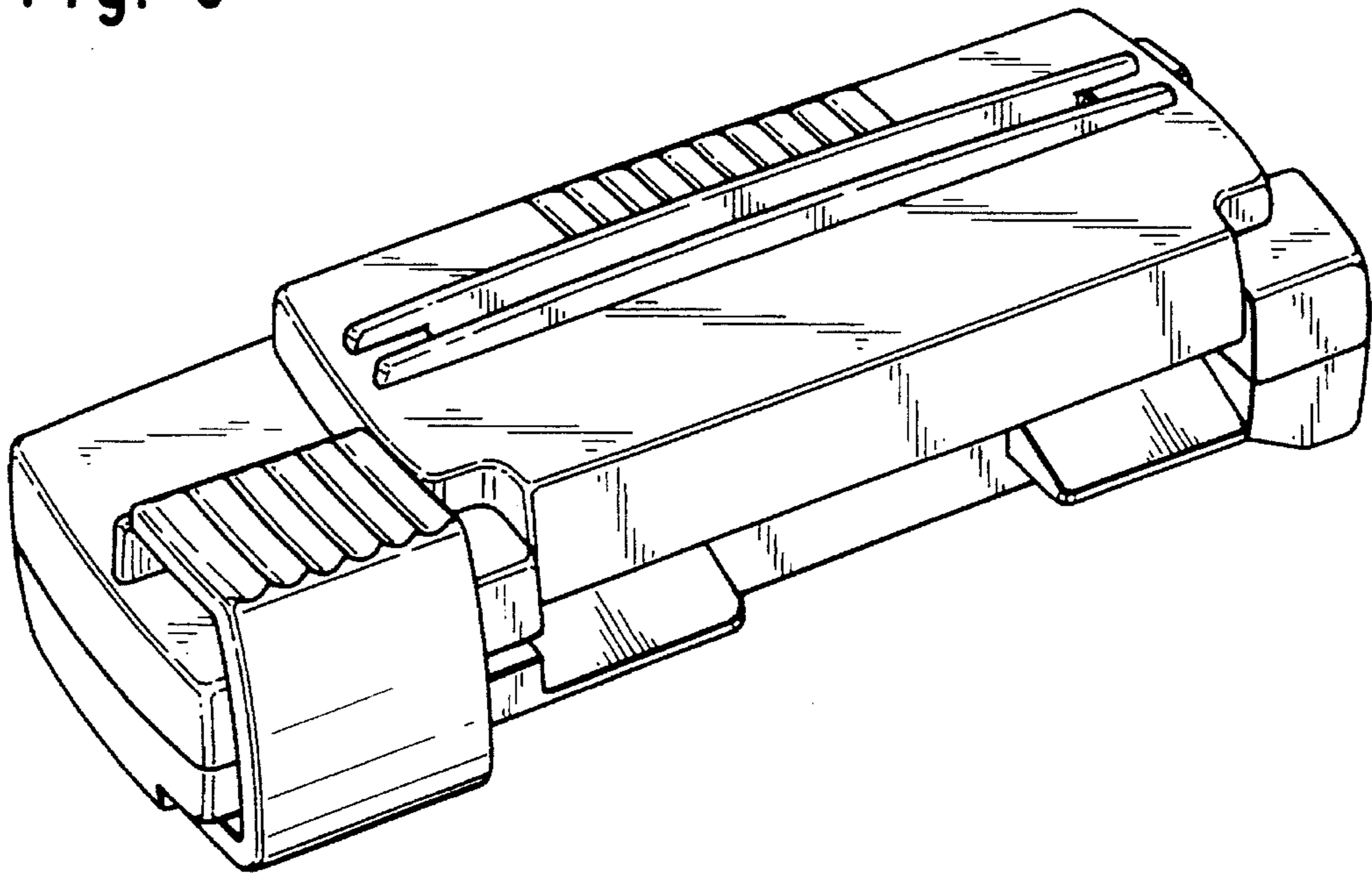


Fig. 4

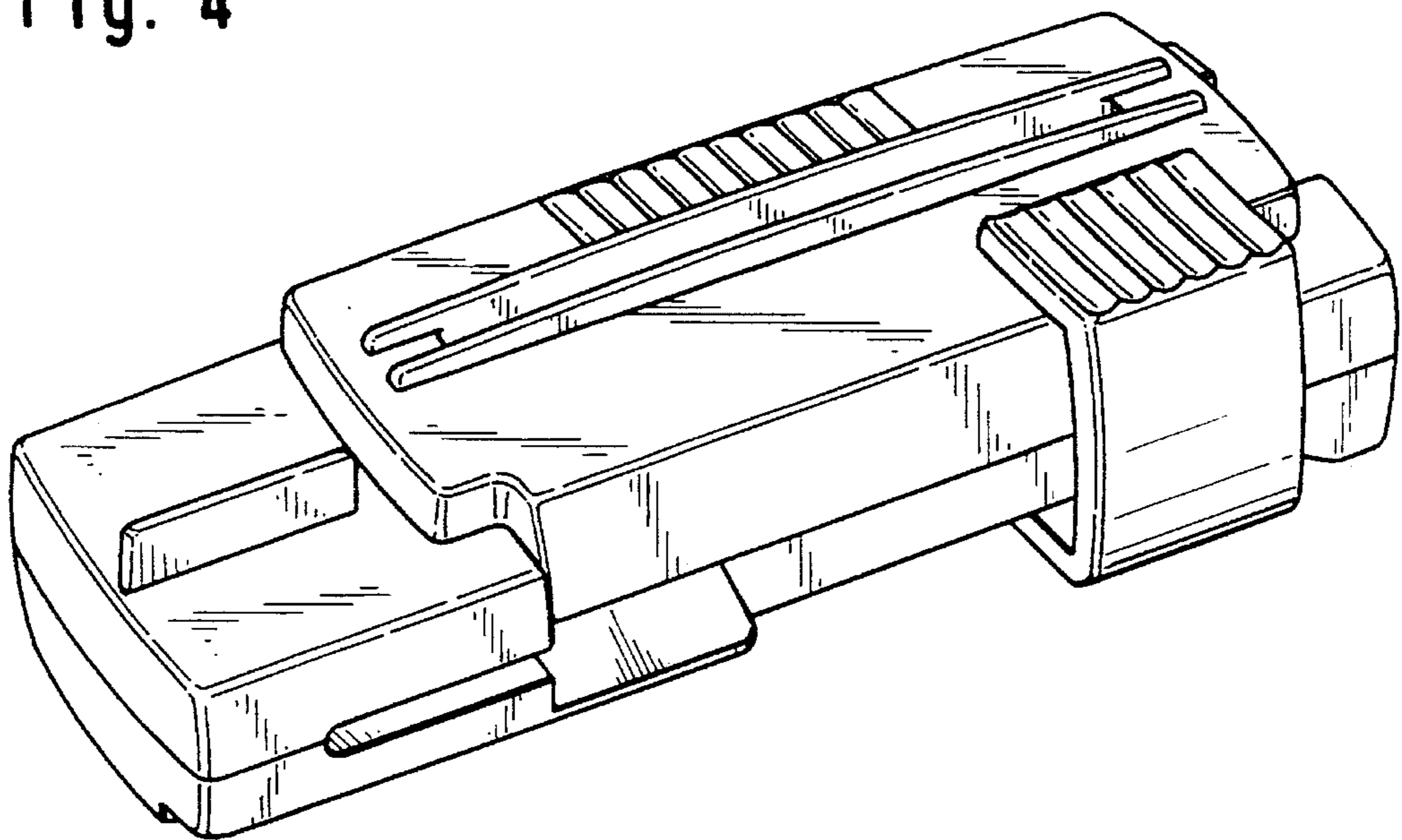


Fig. 5

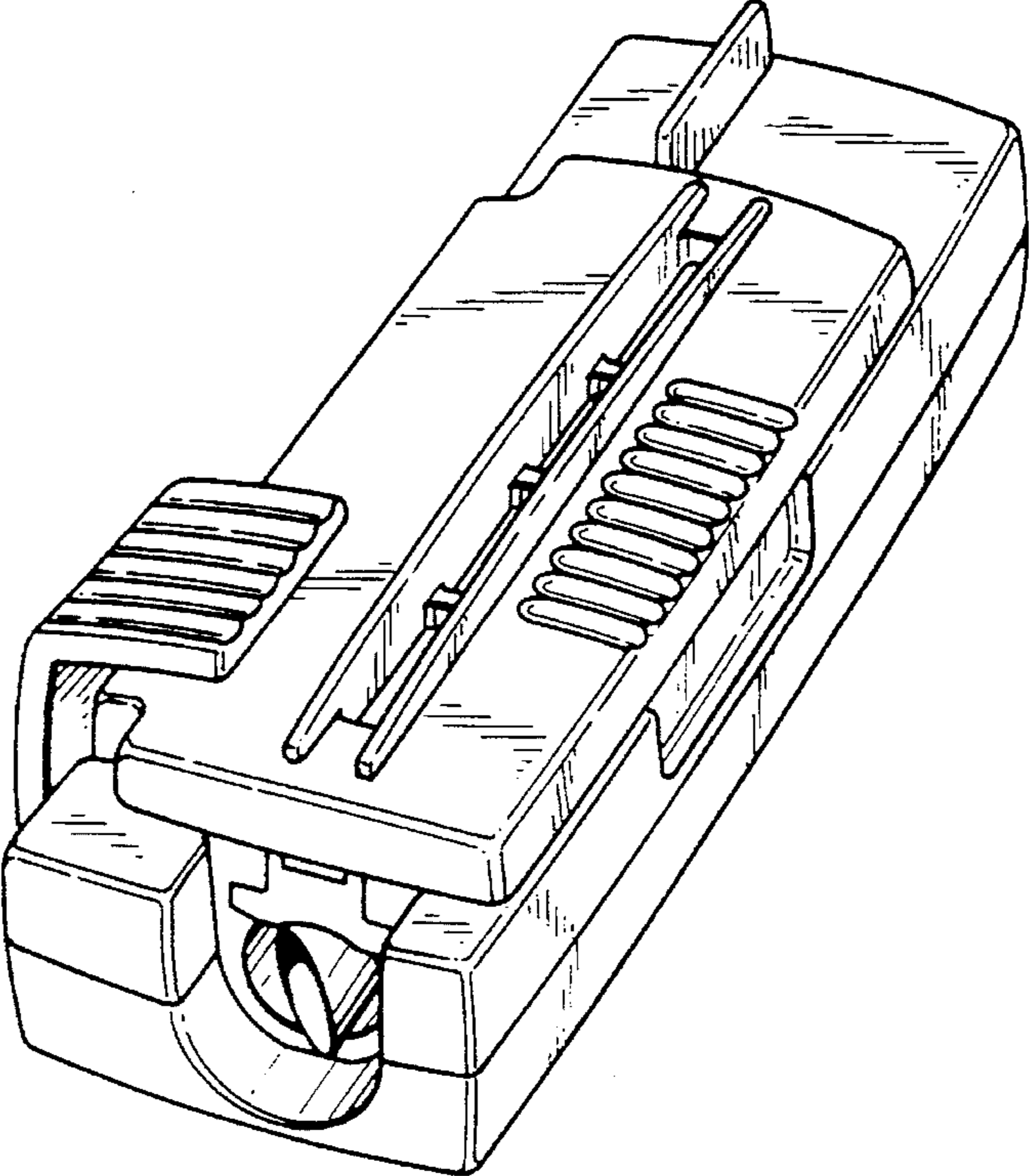


Fig. 6

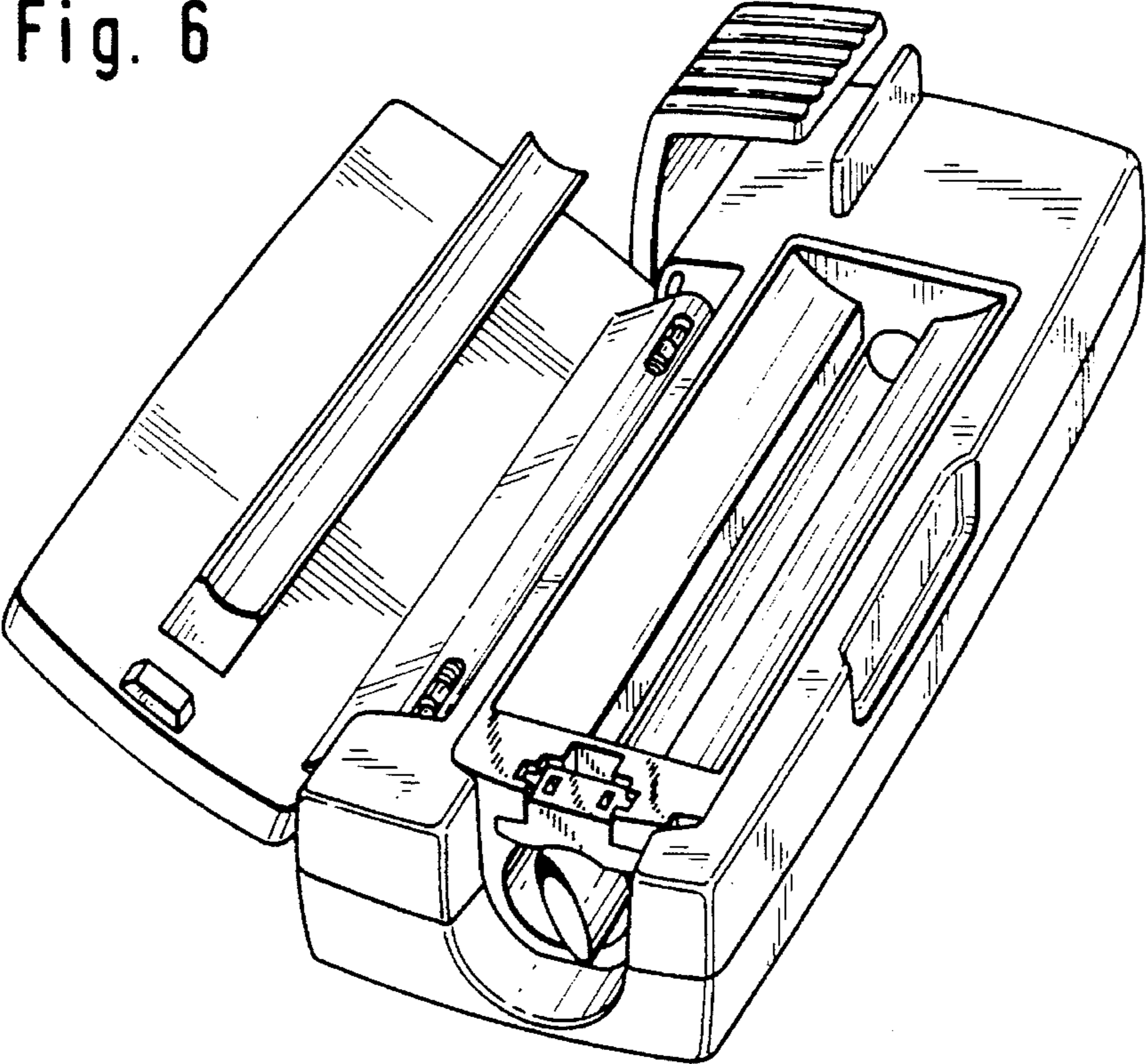


Fig. 7

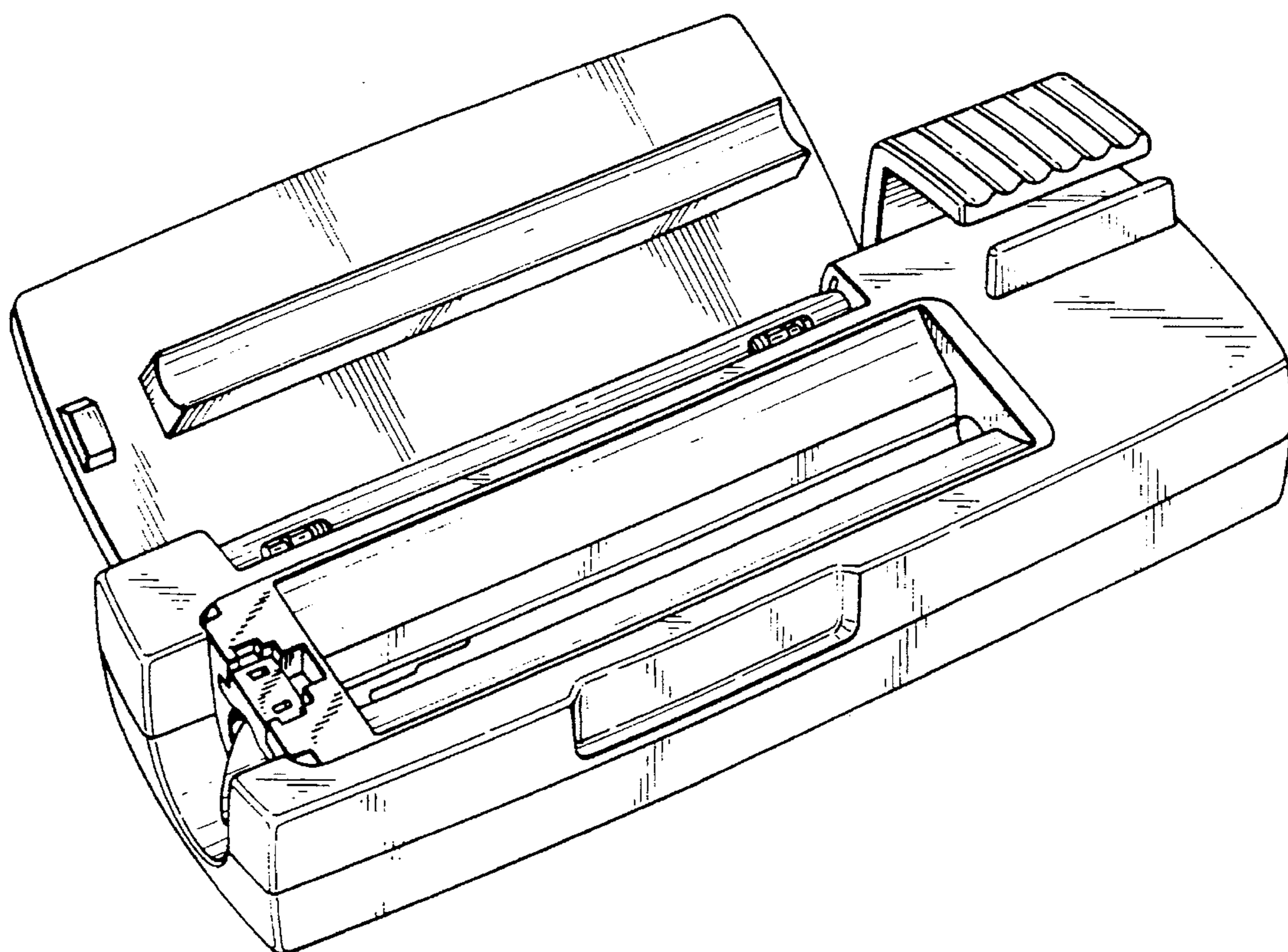


Fig. 8

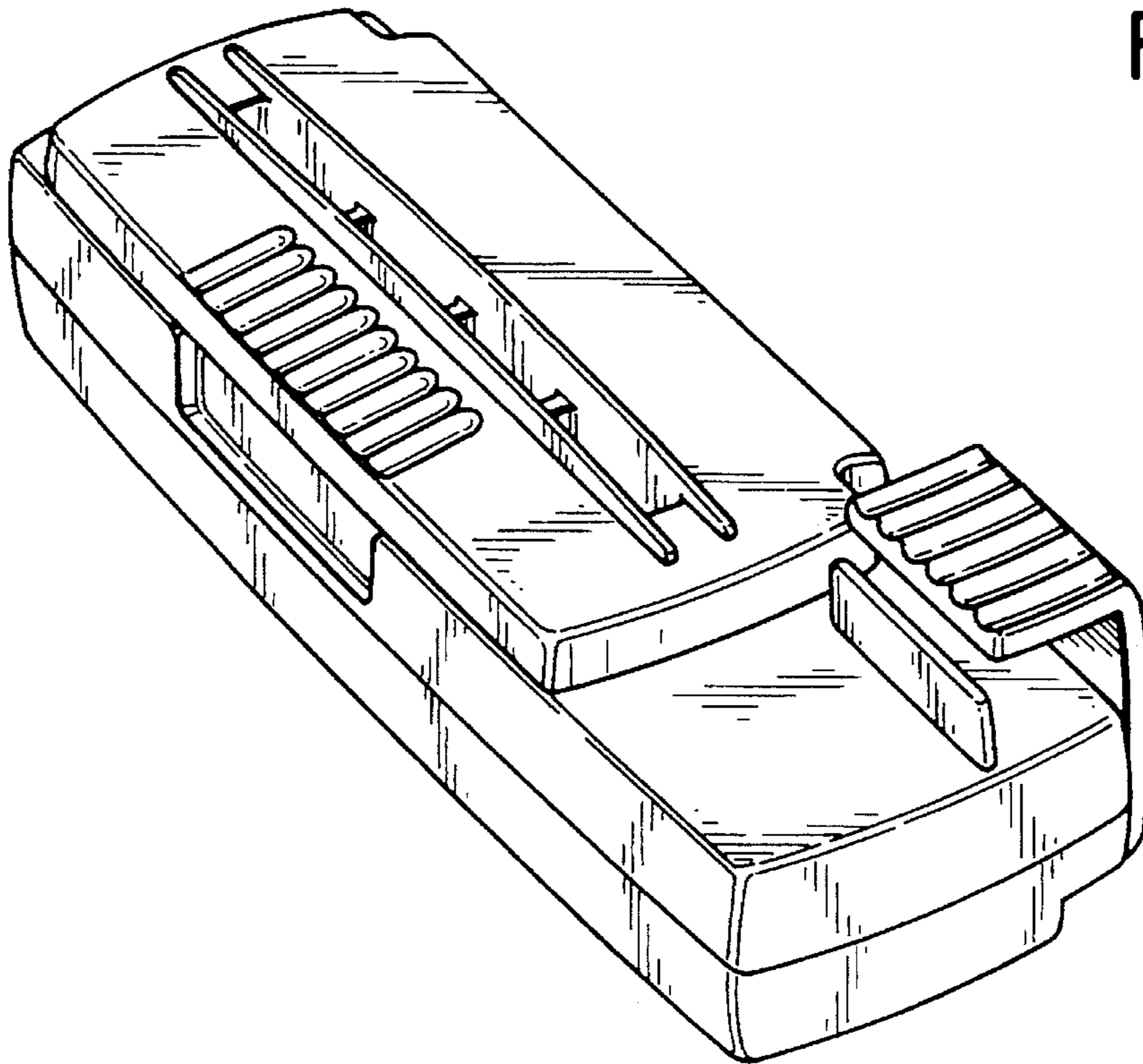


Fig. 9

