



US00D366052S

# United States Patent [19]

[11] Patent Number: **Des. 366,052**

**Barton et al.**

[45] Date of Patent: **\*\*Jan. 9, 1996**

[54] **CHUCK**

[75] Inventors: **Christopher B. Barton; Stephen W. Steadings**, both of Seneca, S.C.

[73] Assignee: **Power Tool Holders Incorporated**, Wilmington, Del.

[\*\*] Term: **14 Years**

[21] Appl. No.: **33,815**

[22] Filed: **Jan. 20, 1995**

[52] U.S. Cl. .... **D15/140**

[58] Field of Search ..... D15/140; 279/60, 279/61, 62, 63, 64, 65, 901, 902

### [56] **References Cited**

#### U.S. PATENT DOCUMENTS

164,658	6/1875	Powers .....	279/64
D. 323,961	2/1992	Fushiya et al. .	
D. 328,556	8/1992	Fushiya et al. .	

(List continued on next page.)

#### FOREIGN PATENT DOCUMENTS

2606691 5/1988 France .

#### OTHER PUBLICATIONS

The following Jacobs® Manufacturing Company drawings: No. 96-030413 dated Aug. 9, 1990, No. 96-030420 dated May 9, 1990, No. 96-030643 dated Jul. 18, 1990, No. 96-030667 dated Sep. 24, 1990, No. 96-030677 dated Sep. 24, 1990, No. 96-030678 dated Oct. 29, 1990, No. 96-030679 dated Oct. 29, 1990, No. 96-030684 dated Nov. 28, 1990, No. 96-030715 dated Apr. 12, 1991, No. 96-030732 dated Dec. 11, 1991, No. 96-030736 dated Sep. 30, 1991, No. 96-030742 dated Oct. 25, 1991, No. 96-030748 dated Nov. 13, 1991, No. 96-030752 dated Nov. 13, 1991, No. 96-030758 dated Nov. 19, 1991, No. 96-030772 dated Nov. 19, 1991, No. 96-030775 dated Jan. 6, 1992, No. 96-030809 dated Mar. 12, 1992, No. 96-030816 dated May 26, 1992, No. 96-031040 dated Jan. 14, 1993, No. 96-031087 dated Mar. 25, 1993, No. 96-031089 dated Mar. 25, 1993, No. 96-031213 dated Aug. 26, 1993, No. 96-031214 dated Aug. 27, 1993, No.

96-031215 dated Aug. 27, 1993, No. 96-P3072 dated Nov. 17, 1992, No. 96-P0751 dated Mar. 1, 1993, No. 96-30097 dated Dec. 18, 1992, No. 96-30415 dated Dec. 18, 1992, No. 96-30419 dated Sep. 7, 1993, No. 96-030643 dated Aug. 4, 1994, No. 96-030679 dated Aug. 4, 1994.

The following Jacobs® Manufacturing Company drawings: No. 96-030684 dated Apr. 19, 1994, No. 96-030742 dated Jun. 10, 1994, No. 96-030748 dated Aug. 8, 1994, No. 96-030752 dated Aug. 8, 1994, No. 96-030758 dated Aug. 4, 1994, No. 96-030772 dated Aug. 4, 1993, No. 96-030732 dated Aug. 4, 1994, No. 96-030775 dated Aug. 8, 1994, No. 96-030816 dated Apr. 8, 1994, No. 96-031059 dated Apr. 8, 1994, No. 96-031073 dated Apr. 8, 1994, No. 96-031074 dated Jun. 10, 1994, No. 96-031075 dated Apr. 8, 1994, No. 96-031076 dated Jun. 10, 1994, No. 96-031089 dated Aug. 4, 1994, No. 96-031129 dated Apr. 8, 1994, No. 96-031213 dated Apr. 11, 1994, No. 96-031214 dated Aug. 8, 1994, No. 96-031225 dated Aug. 2, 1994, No. 96-031238 dated Apr. 6, 1994, No. 96-031267 dated Jun. 10, 1994, No. 96-031273 dated Aug. 2, 1994, No. 96-031276 dated Apr. 21, 1994, No. 96-031280 dated Jul. 13, 1994, No. 96-031284 dated Apr. 11, 1994, No. 96-031285 dated Jun. 10, 1994, No. 96-031346 dated Oct. 27, 1994, No. 96-031318 dated Sep. 1, 1994, No. 96-031319 dated Sep. 1, 1994, No. 96-031215 dated Aug. 8, 1994, No. 96-030777 dated Jul. 13, 1994, No. 96-030791 dated Jul. 13, 1994.

(List continued on next page.)

*Primary Examiner*—Antoine Duval Davis  
*Attorney, Agent, or Firm*—Dority & Manning

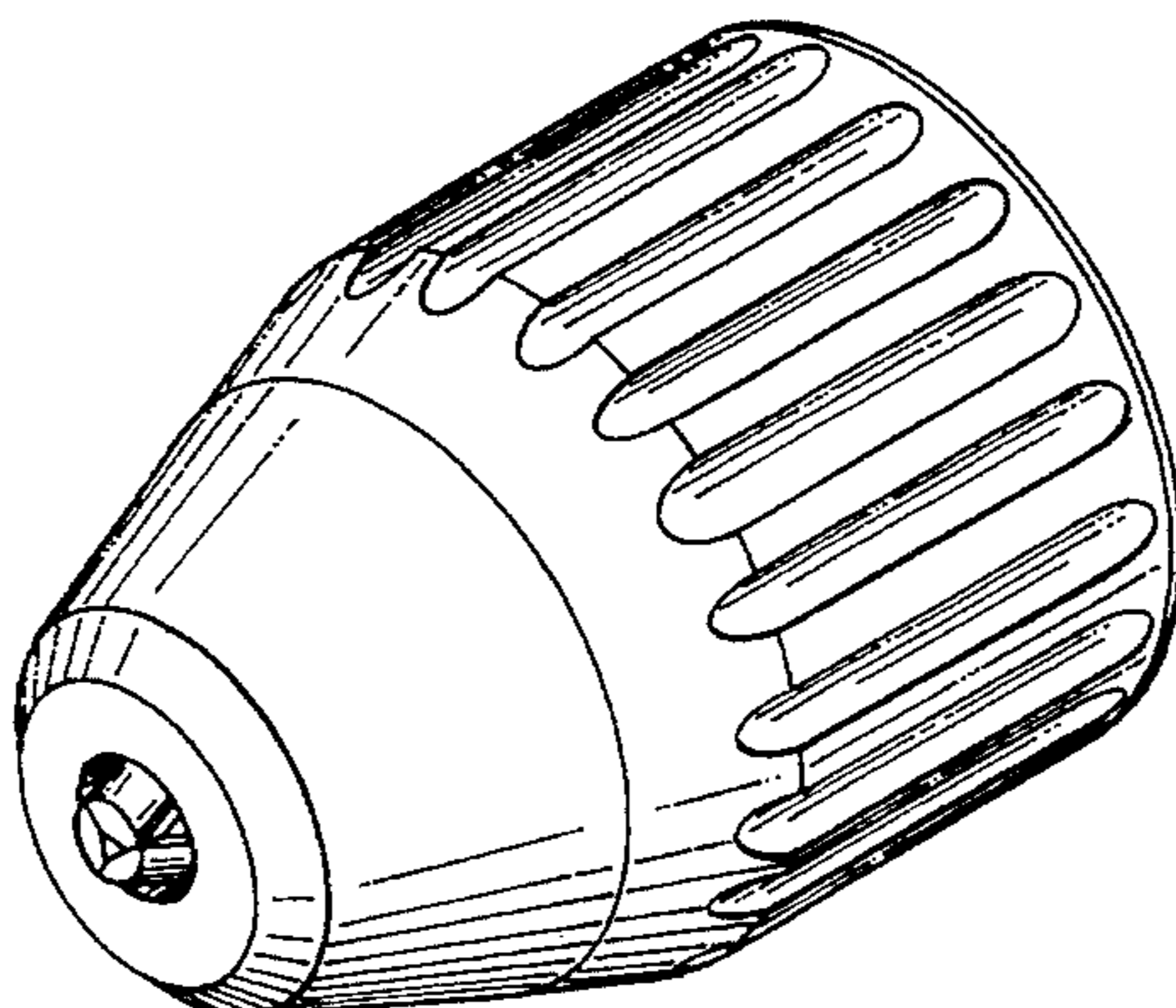
### [57] **CLAIM**

The ornamental design of a chuck, as shown and described.

### **DESCRIPTION**

FIG. 1 is a bottom view of a chuck in accordance with the present invention;  
FIG. 2 is a side view of a chuck in accordance with the present invention;  
FIG. 3 is a top view of a chuck in accordance with the present invention; and,  
FIG. 4 is a perspective view of a chuck in accordance with the present invention.

**1 Claim, 2 Drawing Sheets**



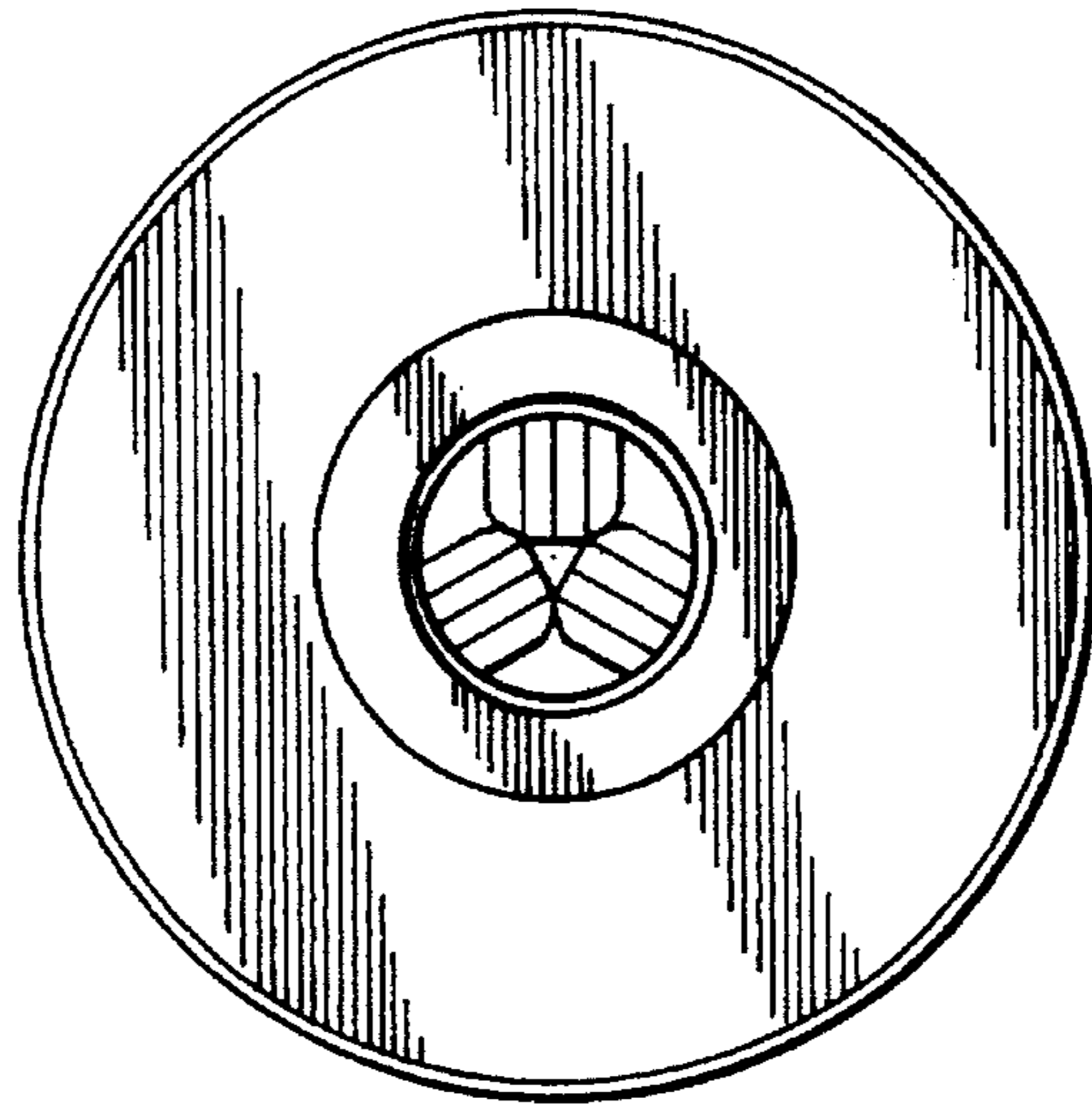
U.S. PATENT DOCUMENTS

D. 331,356 12/1992 Amsberry .  
 D. 332,208 1/1993 Sakamoto et al. .  
 D. 332,209 1/1993 Feigel .  
 D. 333,080 2/1993 Fushiya et al. .  
     879,241 2/1908 Coit ..... 279/61  
 1,476,903 12/1923 McConnell .  
 1,784,002 12/1930 Englund .  
 3,807,745 4/1974 Bent .  
 4,292,571 9/1981 Cuneo ..... 279/62 X  
 4,695,065 9/1987 Komatsu et al. .  
 4,836,563 6/1989 Röhm .  
 4,848,779 7/1989 Wheeler et al. .  
 4,951,955 8/1990 Sakamaki .  
 5,009,439 4/1991 Sakamaki .  
 5,031,925 7/1991 Tatsu et al. .  
 5,044,643 9/1991 Nakamura .  
 5,125,673 6/1992 Huff .  
 5,145,192 9/1992 Röhm .  
 5,158,306 10/1992 Röhm .  
 5,234,223 8/1993 Sakamaki .  
 5,253,879 10/1993 Huff et al. .  
 5,286,041 2/1994 Röhm .

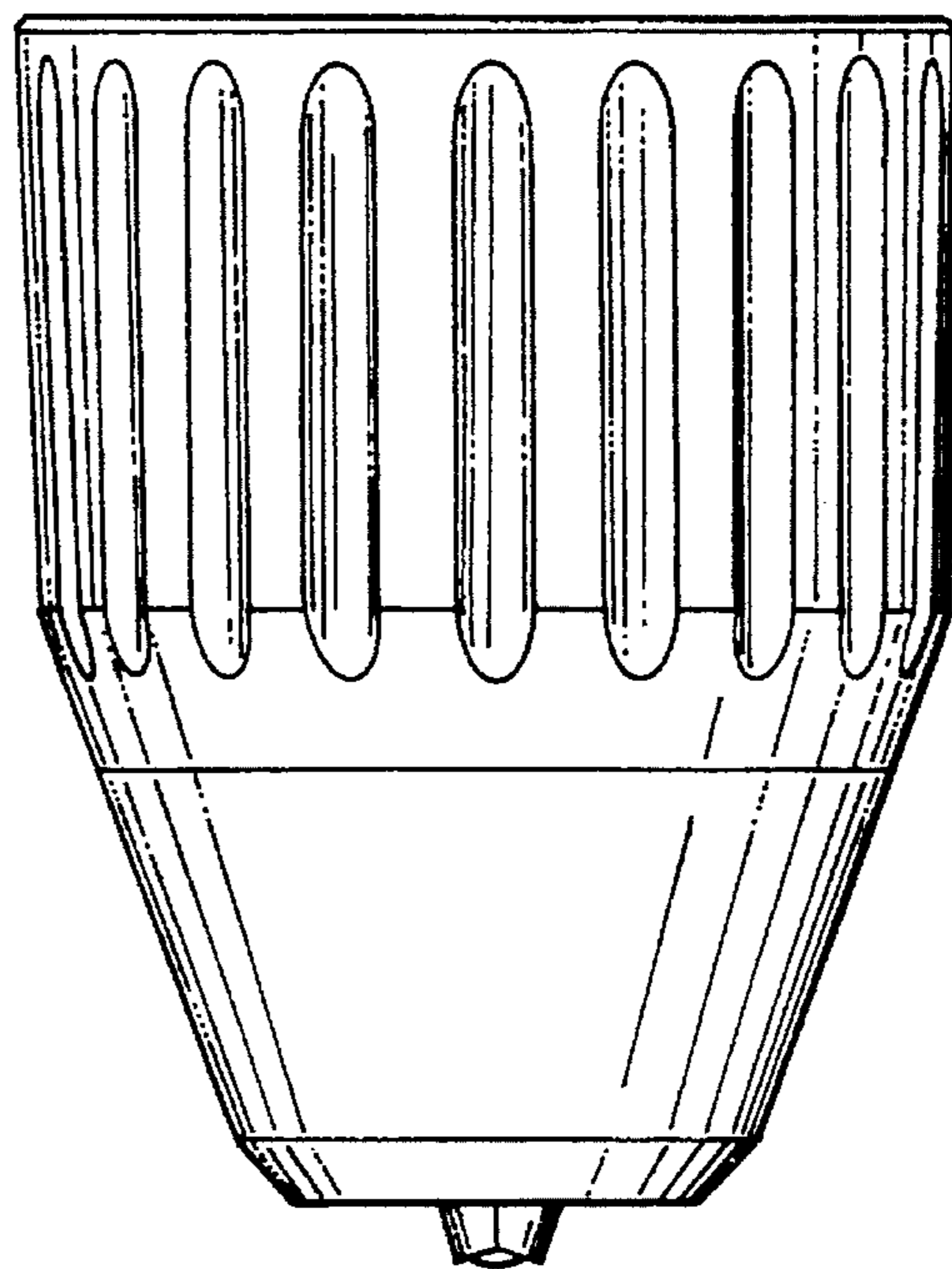
5,324,050 6/1994 Kanaan .  
 5,330,204 7/1994 Huff et al. .  
 5,348,317 9/1994 Steadings et al. .... 279/902 X  
 5,348,318 9/1994 Steadings et al. .  
 5,390,940 2/1995 Morlino et al. .... 279/62

OTHER PUBLICATIONS

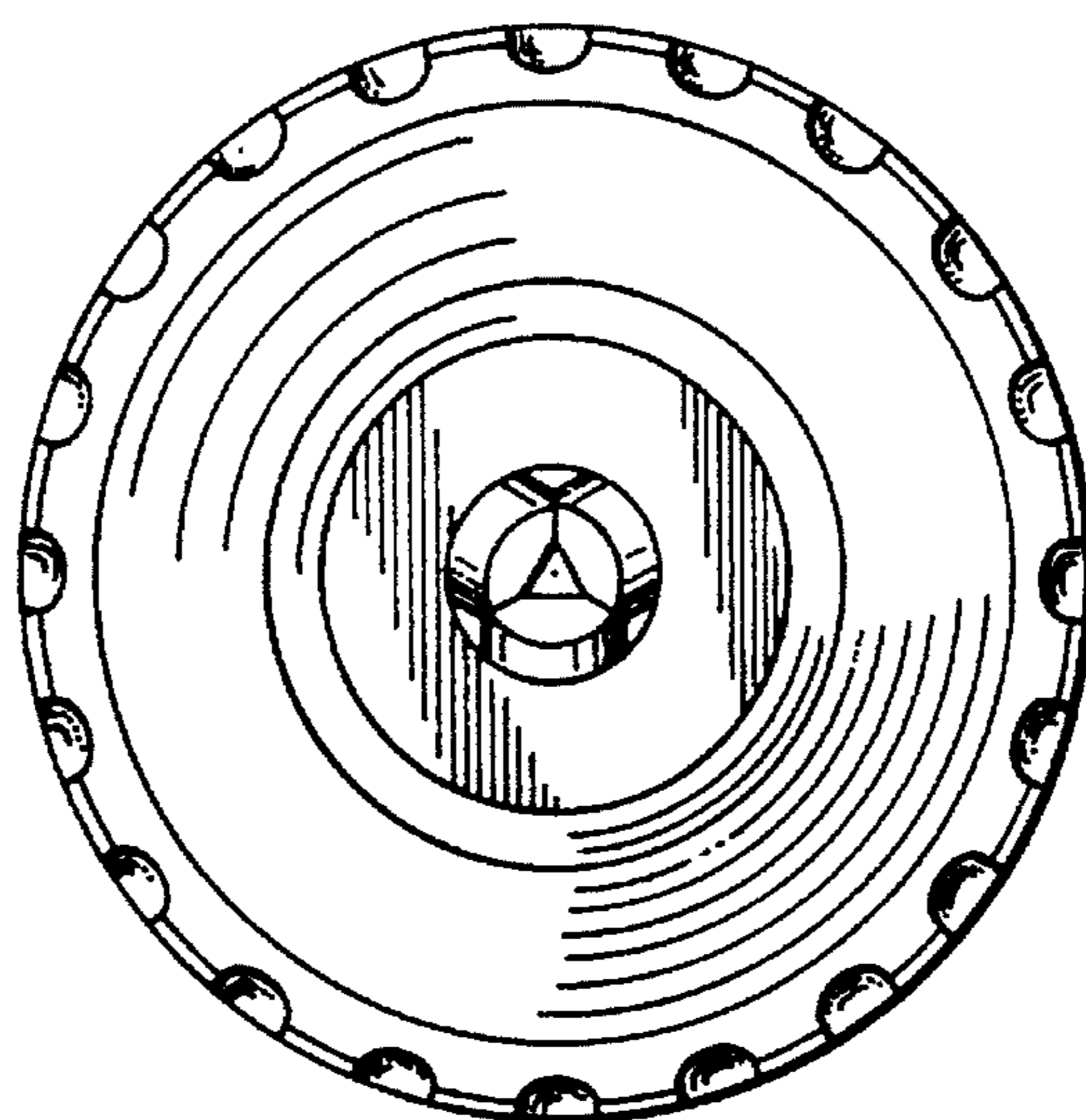
The following Jacobs® Manufacturing Company drawings:  
 No. 96-030805 dated Jul. 15, 1994, No. 96-030818 dated  
 Jun. 1, 1992, No. 96-030848 dated Jul. 15, 1994, No.  
 96-030849 dated Jul. 15, 1994, No. 96-030850 dated May  
 6, 1994, No. 96-030851 dated May 6, 1994, No. 96-030845  
 dated Jul. 14, 1994, No. 96-031045 dated Jul. 15, 1994, No.  
 96-031064 dated Jul. 15, 1994, No. 96-031107 dated May  
 6, 1993, No. 96-031224 dated Jul. 26, 1994, No. 96-031268  
 dated Jul. 26, 1994, No. 96-031274 dated Jul. 26, 1994, No.  
 96-031287 dated Jul. 25, 1994, No. 96-031316 dated Jul.  
 25, 1994, No. 96-031349 dated Aug. 23, 1994, No.  
 96-031350 dated Aug. 23, 1994, No. 96-031351 dated Aug.  
 23, 1994, No. 96-031110 dated Jul. 2, 1993, No. 96-031259  
 dated Jan. 6, 1994, No. 96-031260 dated Jan. 6, 1994, No.  
 96-031334 dated Jun. 27, 1994.



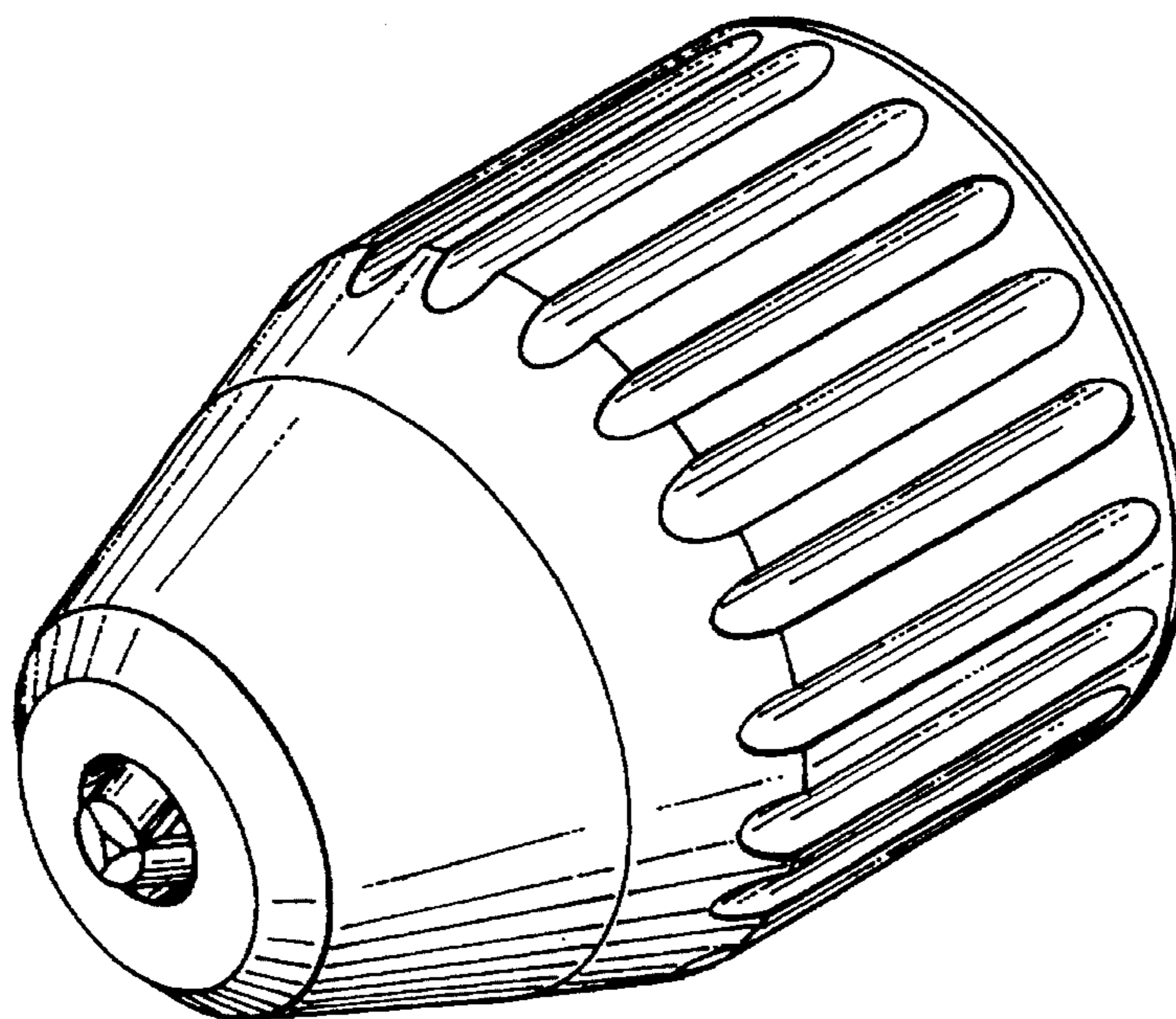
*Fig. 1*



*Fig. 2*



*Fig. 3*



*Fig. 4*