



US00D366051S

United States Patent [19]

[11] Patent Number: **Des. 366,051**

Lewis et al.

[45] Date of Patent: ****Jan. 9, 1996**

[54] **NOZZLE INSERT FOR DISPENSING VISCOUS MATERIALS**

[75] Inventors: **William A. Lewis, Lilburn; Edward C. Taylor, Cumming, both of Ga.**

[73] Assignee: **Nordson Corporation, Westlake, Ohio**

[**] Term: **14 Years**

[21] Appl. No.: **30,474**

[22] Filed: **Oct. 31, 1994**

[52] U.S. Cl. **D15/138; D15/144.1; D15/145; D23/213**

[58] **Field of Search** D15/138, 144, D15/144.1, 144.2, 145, 146; D23/213; 222/129.1, 146.2, 146.3, 146.4, 146.5, 309, 321.2, 383.1, 94, 107, 459, 504, 566-574; 239/135, 333, 424.5, 432, 490, 491, 492, 497, 544, 557, 579, 601, 602

[56] **References Cited**

U.S. PATENT DOCUMENTS

D. 326,272	5/1992	Nakao et al.	D15/144.1
D. 326,273	5/1992	Nakao et al.	D15/144.1
D. 359,058	6/1995	Cackhoff	D15/144
2,051,210	8/1936	Gustafsson .	
2,101,175	12/1937	Gustafsson .	
3,004,719	10/1961	Pouppirt, Jr. .	
3,053,461	9/1962	Inglis .	
3,252,657	5/1966	Winegar .	
3,304,013	2/1967	O'Brien	239/602 X
3,329,347	7/1967	Montgomery .	
3,348,520	10/1967	Lockwood .	
3,384,308	5/1968	Cupler, II	239/602 X
3,507,589	4/1970	Keller .	
3,543,332	12/1970	Wagner et al. .	
3,556,411	1/1971	Nord et al. .	
3,668,869	6/1972	De Corso et al. .	
3,764,069	10/1973	Runstadler, Jr. et al. .	
3,841,567	10/1974	Drozek et al. .	
4,171,096	10/1979	Welsh et al. .	
4,219,157	8/1980	Binoche .	
4,334,637	6/1982	Baker et al. .	

4,349,947	9/1982	Rood .	
4,360,132	11/1982	Vilagi et al. .	
4,618,101	10/1986	Piggott	239/602 X
4,785,996	11/1988	Ziecker et al. .	
4,891,249	1/1990	McIntyre .	
4,907,741	3/1990	McIntyre .	
4,911,956	3/1990	Gabryszewski et al. .	
4,969,602	11/1990	Scholl .	
5,020,723	6/1991	Crist .	
5,065,943	11/1991	Boger et al. .	
5,169,071	12/1992	Boger et al. .	
5,194,115	3/1993	Ramspeck et al. .	
5,292,068	3/1994	Raterman et al. .	

OTHER PUBLICATIONS

1994 Adhesives and Sealants Equipment Catalog, Nordson Corporation 1992, 1993 and 1994, pp. 4-3 & 4-19; 9-i through 9-10.

Primary Examiner—Antoine Duval Davis
Attorney, Agent, or Firm—Raymond J. Slattery, III

[57] **CLAIM**

The ornamental design for a nozzle insert for the dispensing of viscous materials, as shown and described.

DESCRIPTION

FIG. 1 is a front, elevational view of a new design for a nozzle insert for dispensing of viscous materials shown in solid lines, the dot-dashed ghost lines representing a portion of a dispensing module, such as a hot melt adhesive dispenser, are shown for the purpose of illustrating the environment only;

FIG. 2 is an elevational view of the nozzle insert of FIG. 1; FIG. 3 is a top plan view of the nozzle insert of FIG. 1 and an alternate top plan view of the nozzle insert of FIG. 6; FIG. 4 is a bottom plan view of the nozzle insert of FIG. 2; FIG. 5 is a perspective view of the nozzle insert of FIGS. 1-4;

FIG. 6 is an elevational view of an alternate nozzle insert; FIG. 7 is a top plan view of the nozzle insert of FIG. 6 and an alternate top view of the nozzle insert of FIG. 2; and, FIG. 8 is a bottom plan view of the nozzle insert of FIG. 6.

1 Claim, 2 Drawing Sheets

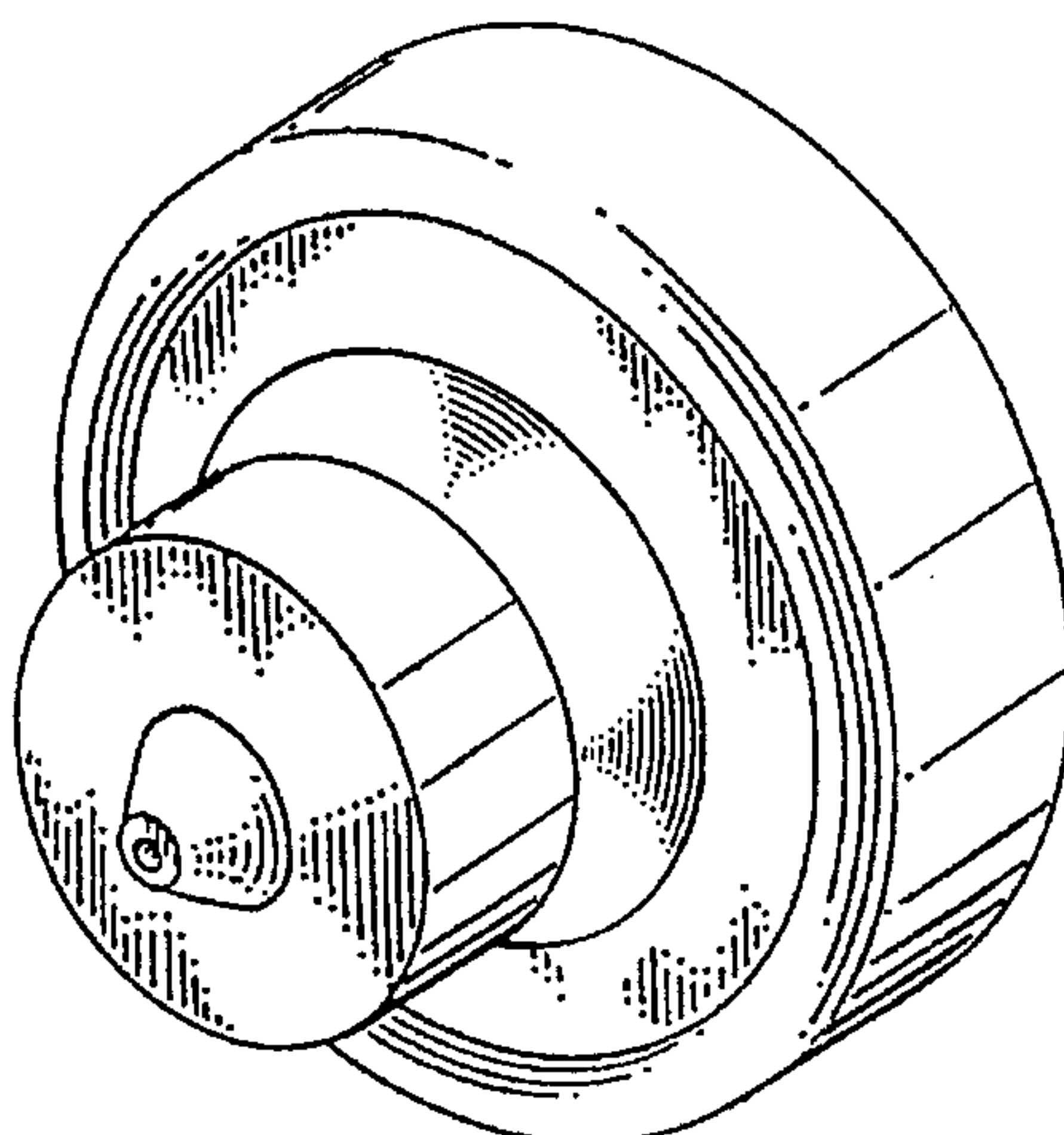


FIG.-1

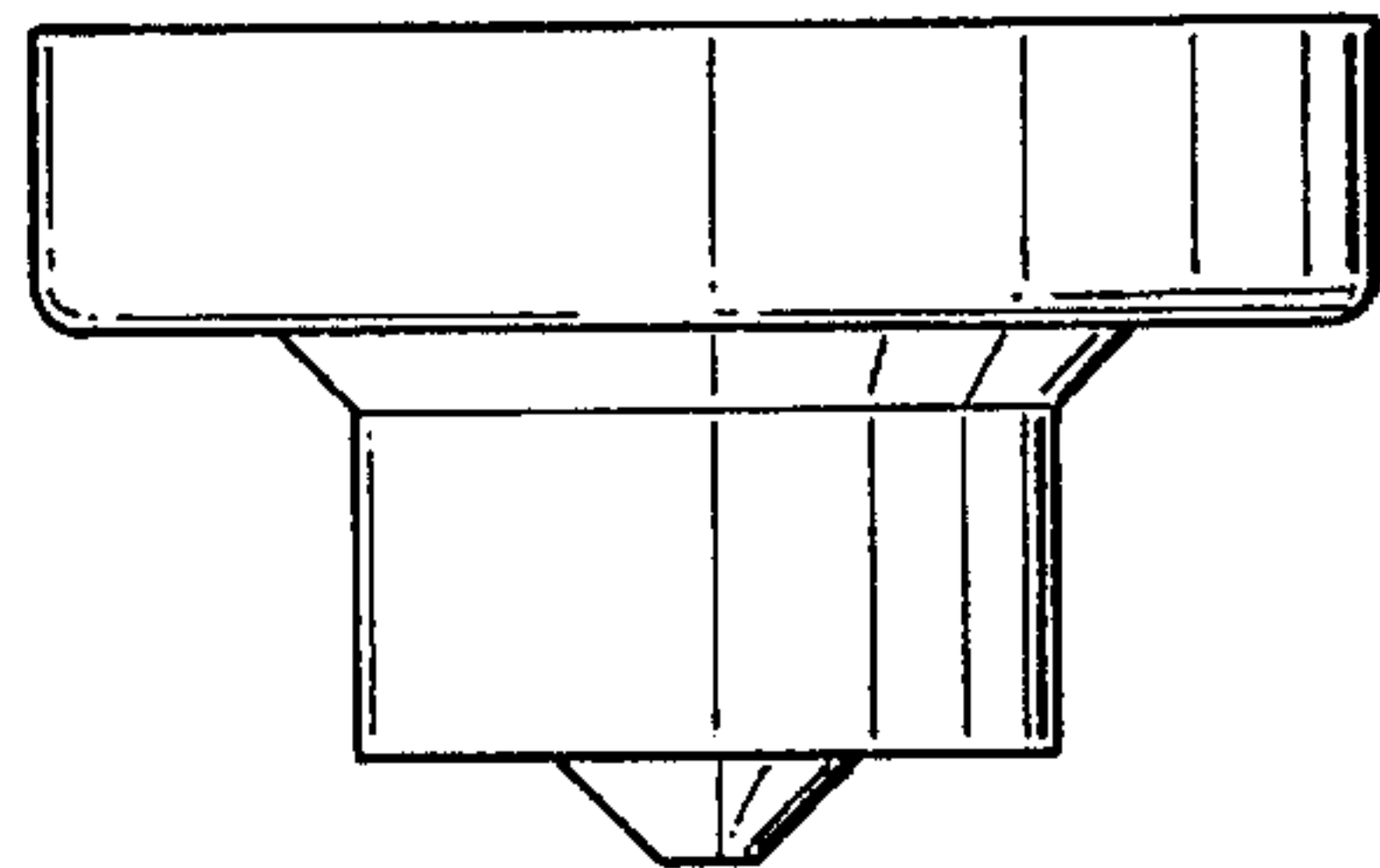
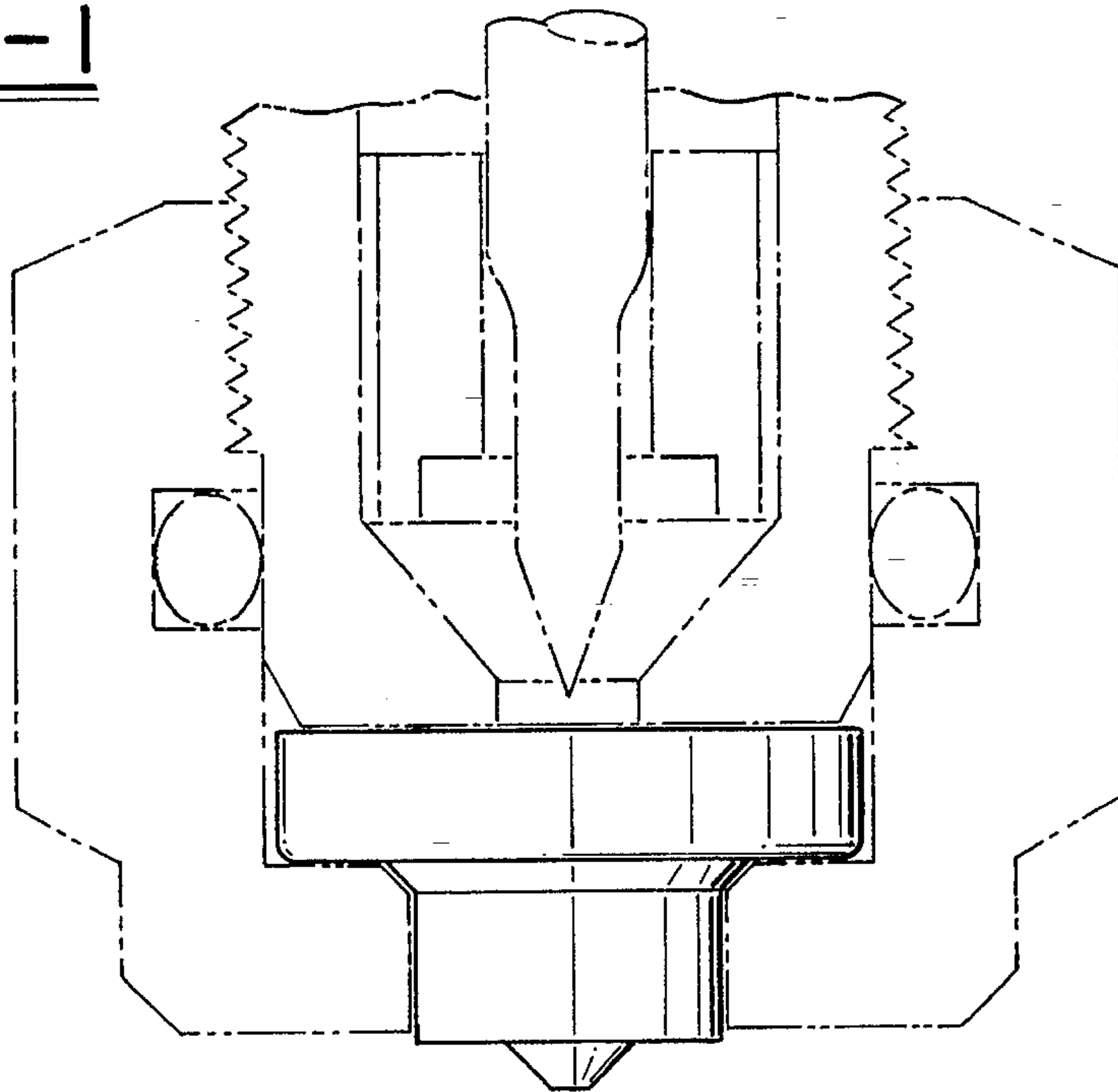


FIG.-2

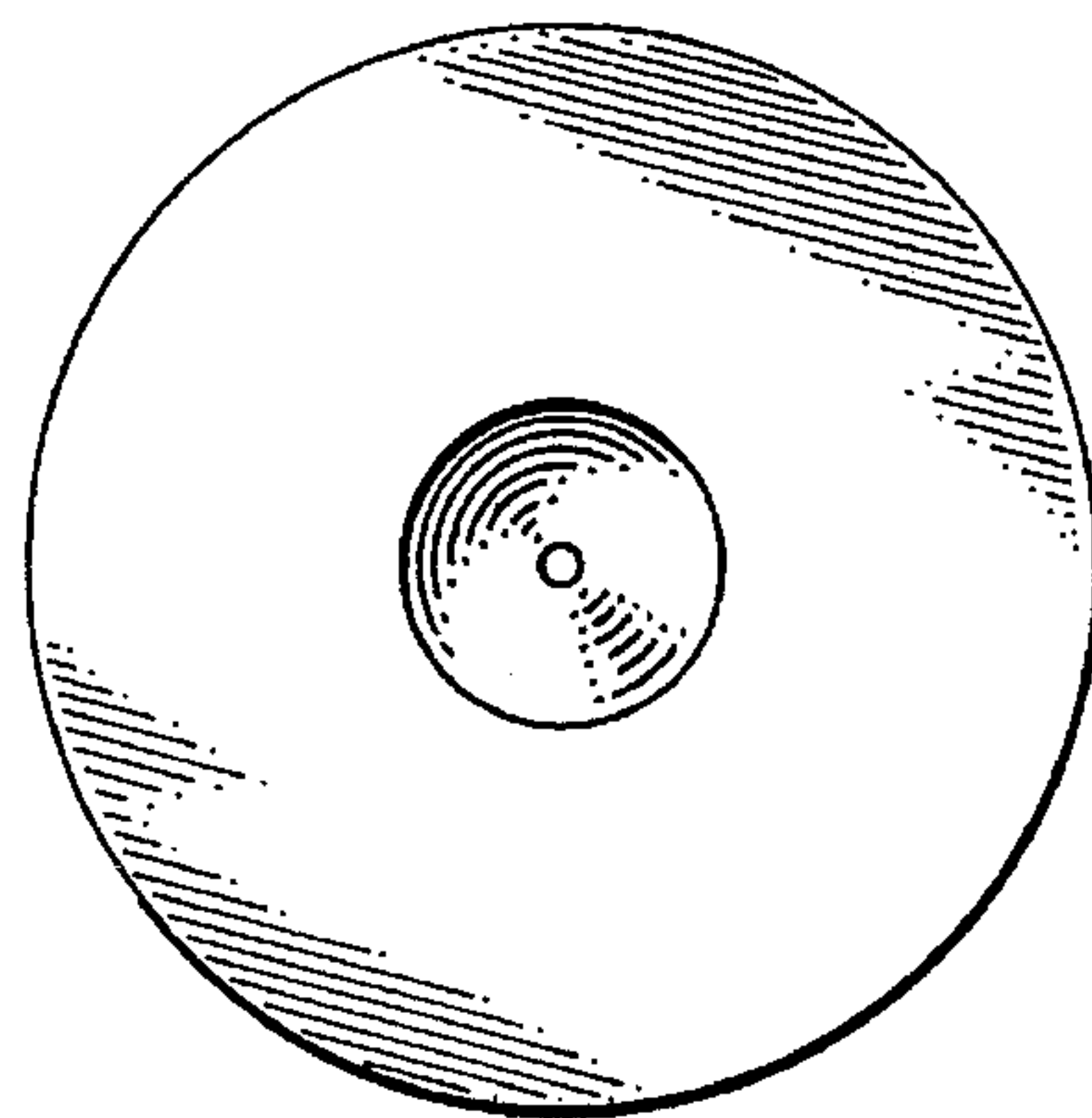


FIG.-3

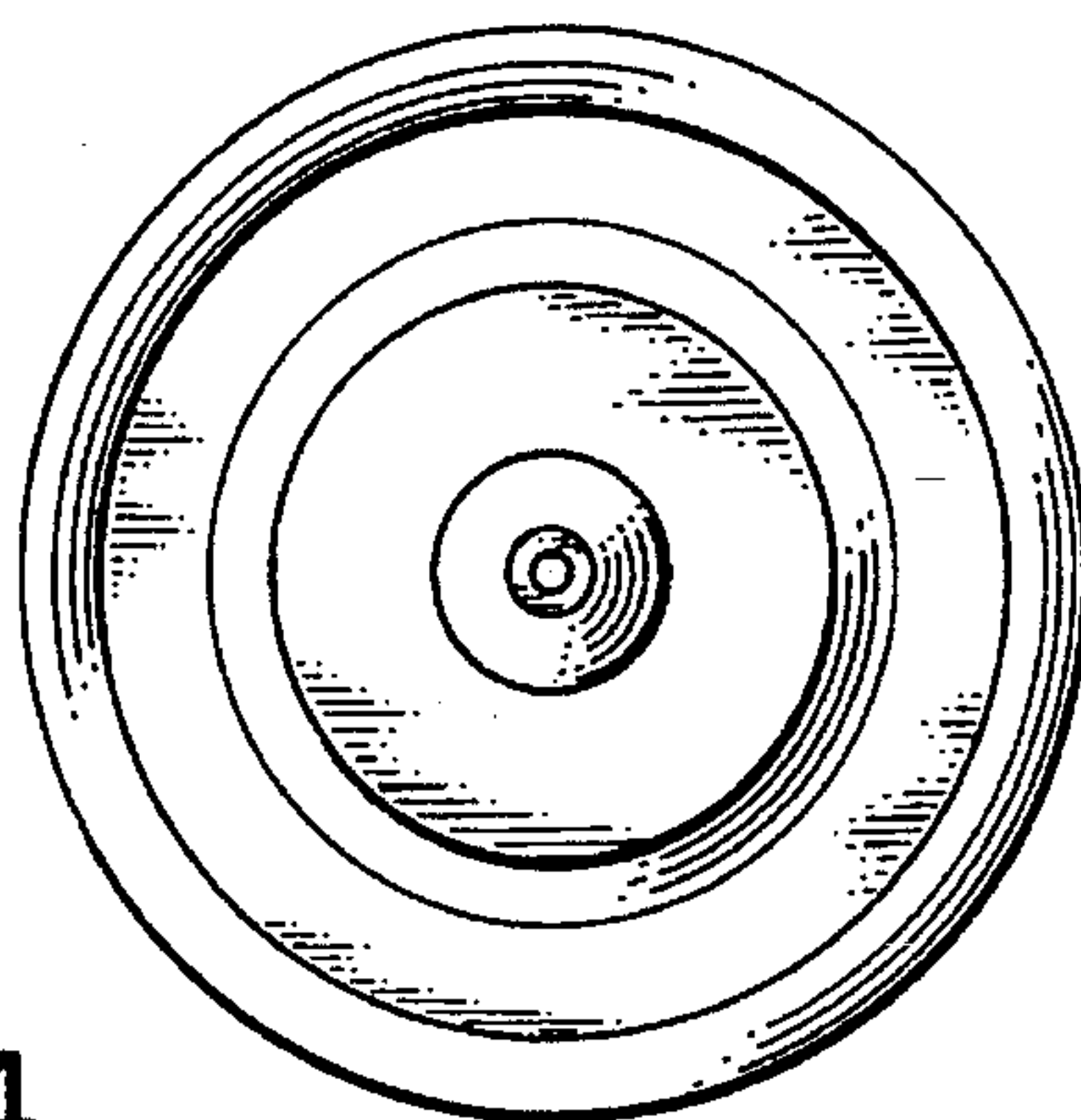


FIG.-4

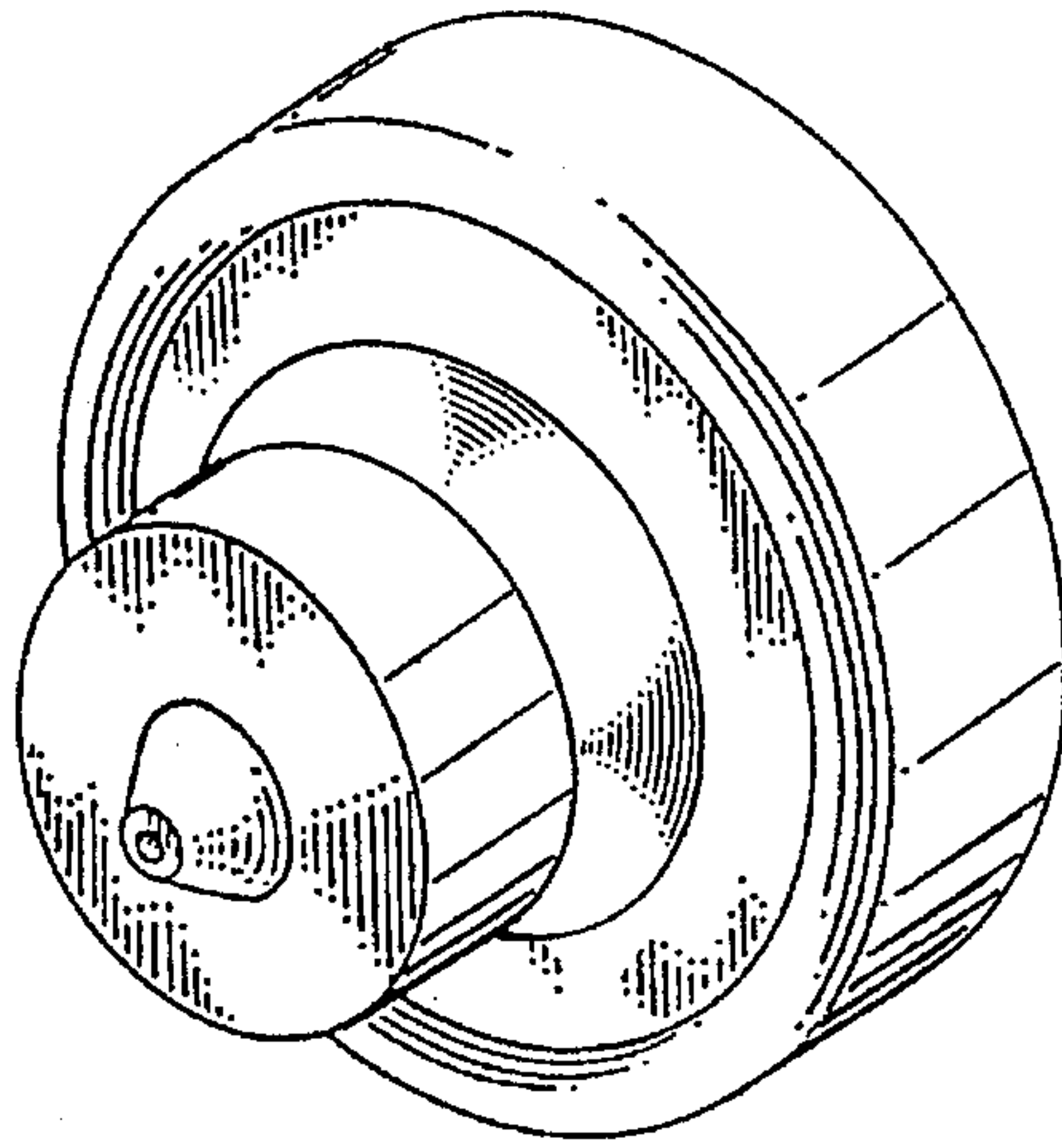


FIG. - 5

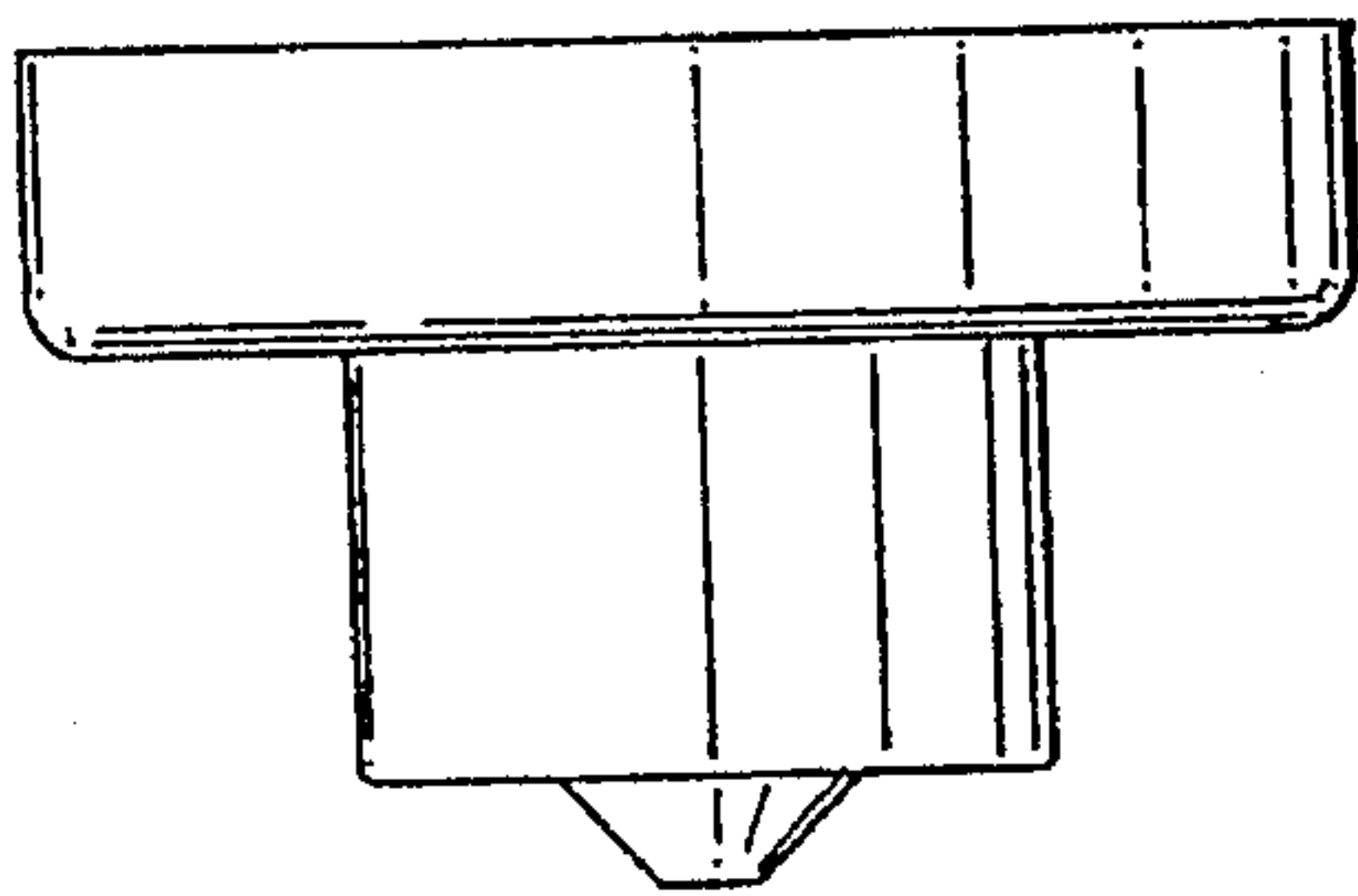


FIG. - 6

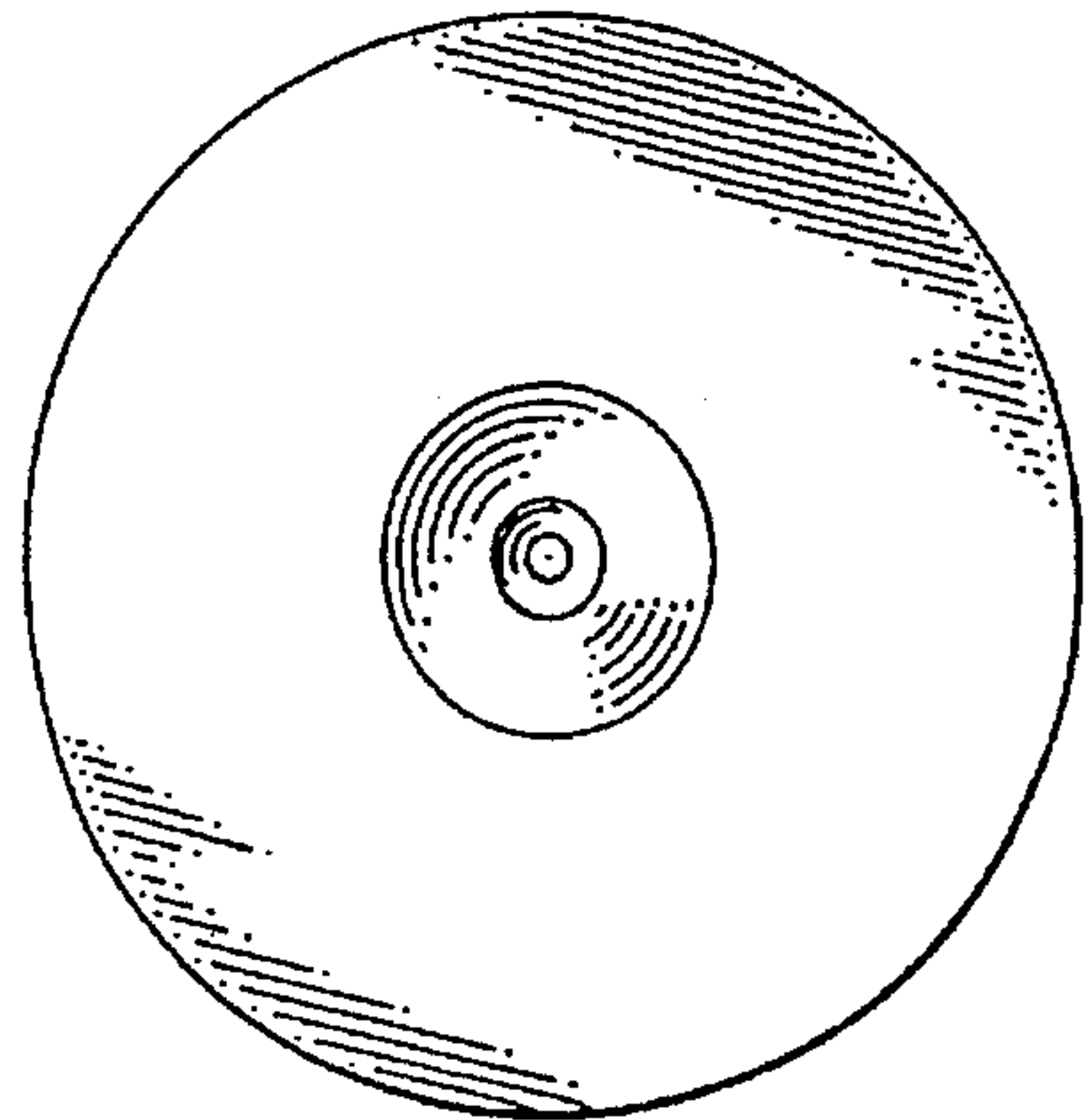


FIG. - 7

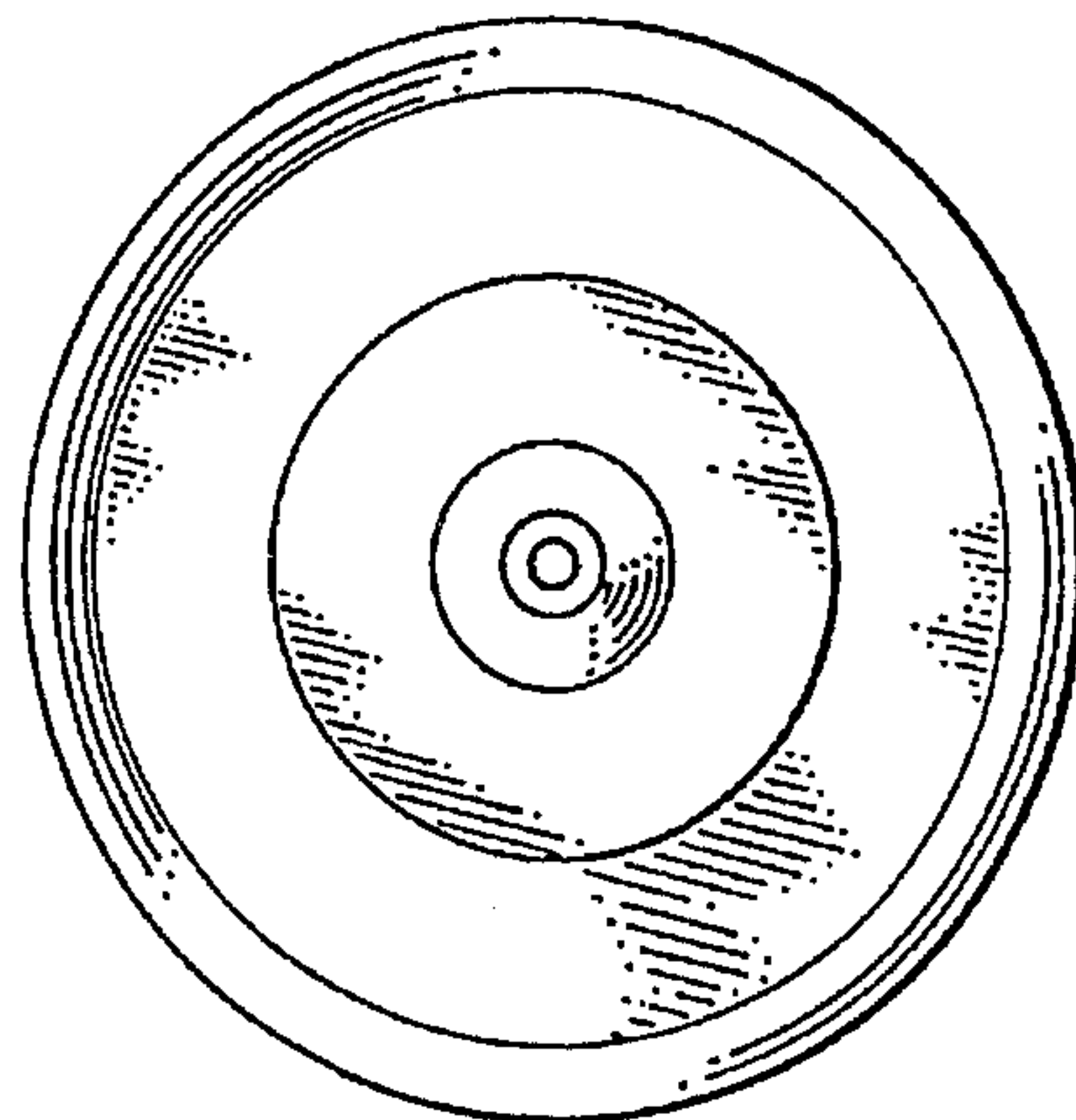


FIG. - 8