



US00D366050S

United States Patent [19]

[11] Patent Number: **Des. 366,050**

Hinds

[45] Date of Patent: ****Jan. 9, 1996**

[54] **EXTENDABLE MITER SAW TABLE TOP**

5,193,598 3/1993 Estrem 144/287

[76] Inventor: **Harvey E. Hinds**, 4502 Oxbow Trail,
Cottonwood, Ariz. 86326

Primary Examiner—Antoine Duval Davis

[**] Term: **14 Years**

[57] **CLAIM**

The ornamental design for an extendable miter saw table top, as shown and described.

[21] Appl. No.: **30,083**

DESCRIPTION

[22] Filed: **Oct. 21, 1994**

[52] U.S. Cl. **D15/133**

FIG. 1 is a front elevational view of the extendable miter saw table top showing my new design;

[58] Field of Search D15/133, 134;
83/432, 437, 477, 477.2, 581, 648, 477.1,
477.3; 144/286 R, 287; 269/290, 296, 901

FIG. 2 is a rear elevational view thereof;

FIG. 3 is a left side elevational view thereof;

FIG. 4 is a right side elevational view thereof;

FIG. 5 is a top plan view thereof;

FIG. 6 is a bottom plan view thereof; and,

FIG. 7 is a perspective view thereof.

[56] **References Cited**

U.S. PATENT DOCUMENTS

D. 234,902	4/1975	Marsh	D15/133
4,798,113	1/1989	Viazanko	144/287 X
5,040,443	8/1991	Price	144/287 X

1 Claim, 4 Drawing Sheets

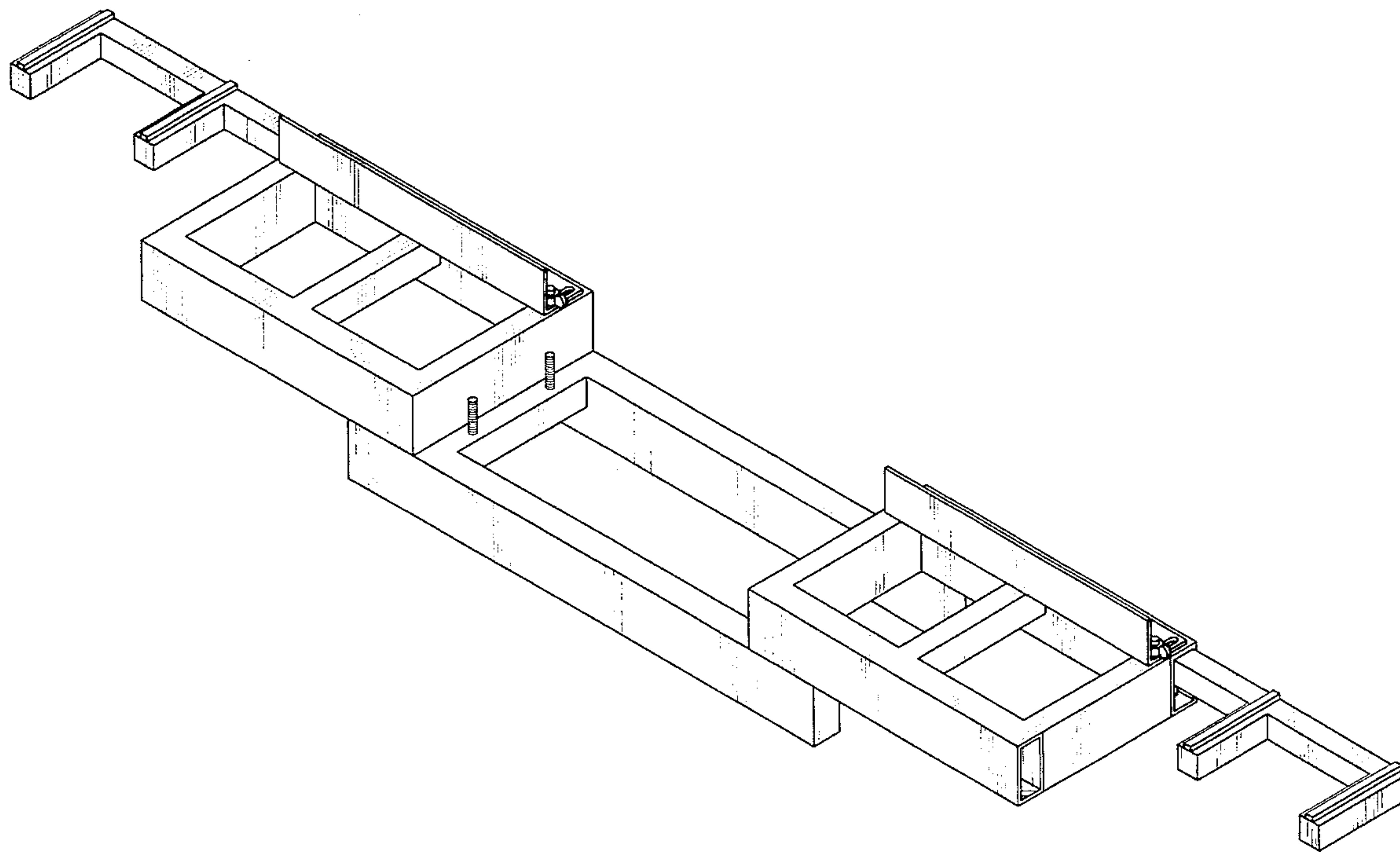


FIG. 1

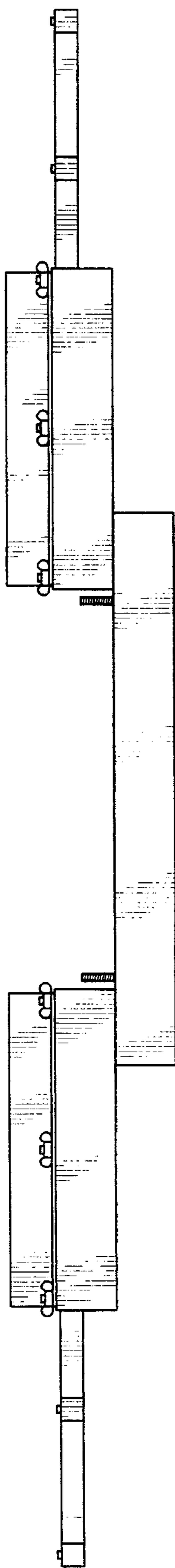


FIG. 2

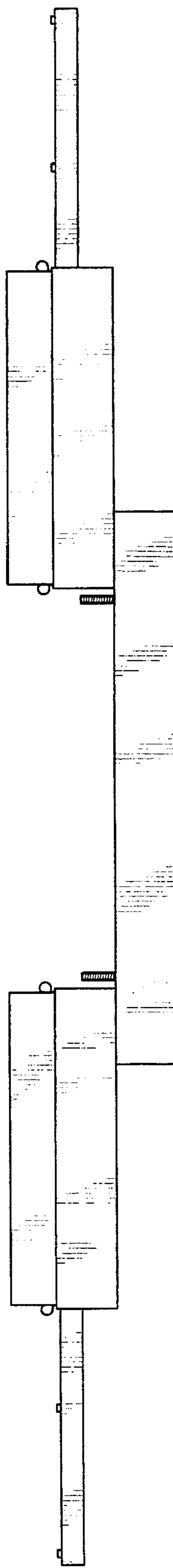


FIG. 3

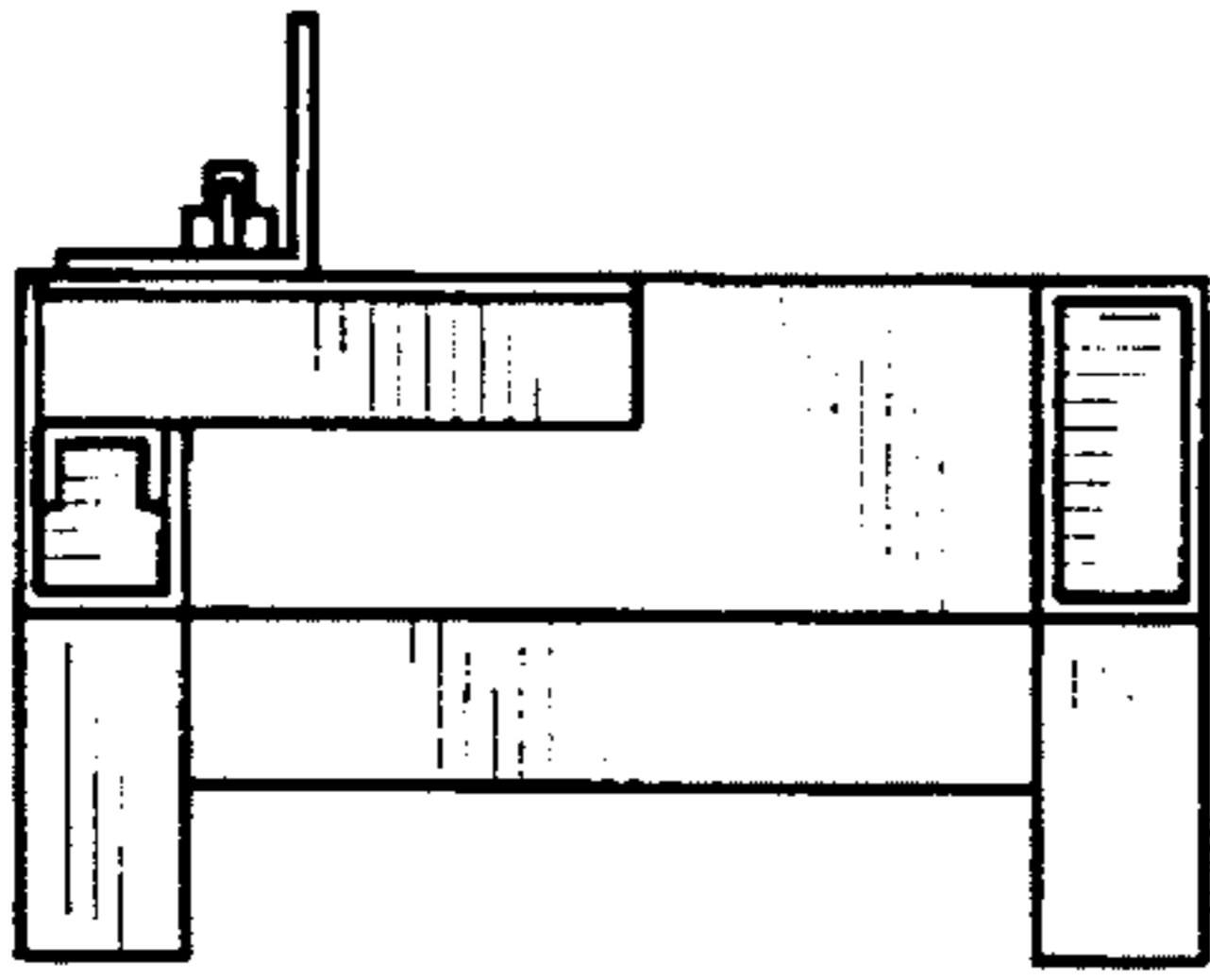


FIG. 4

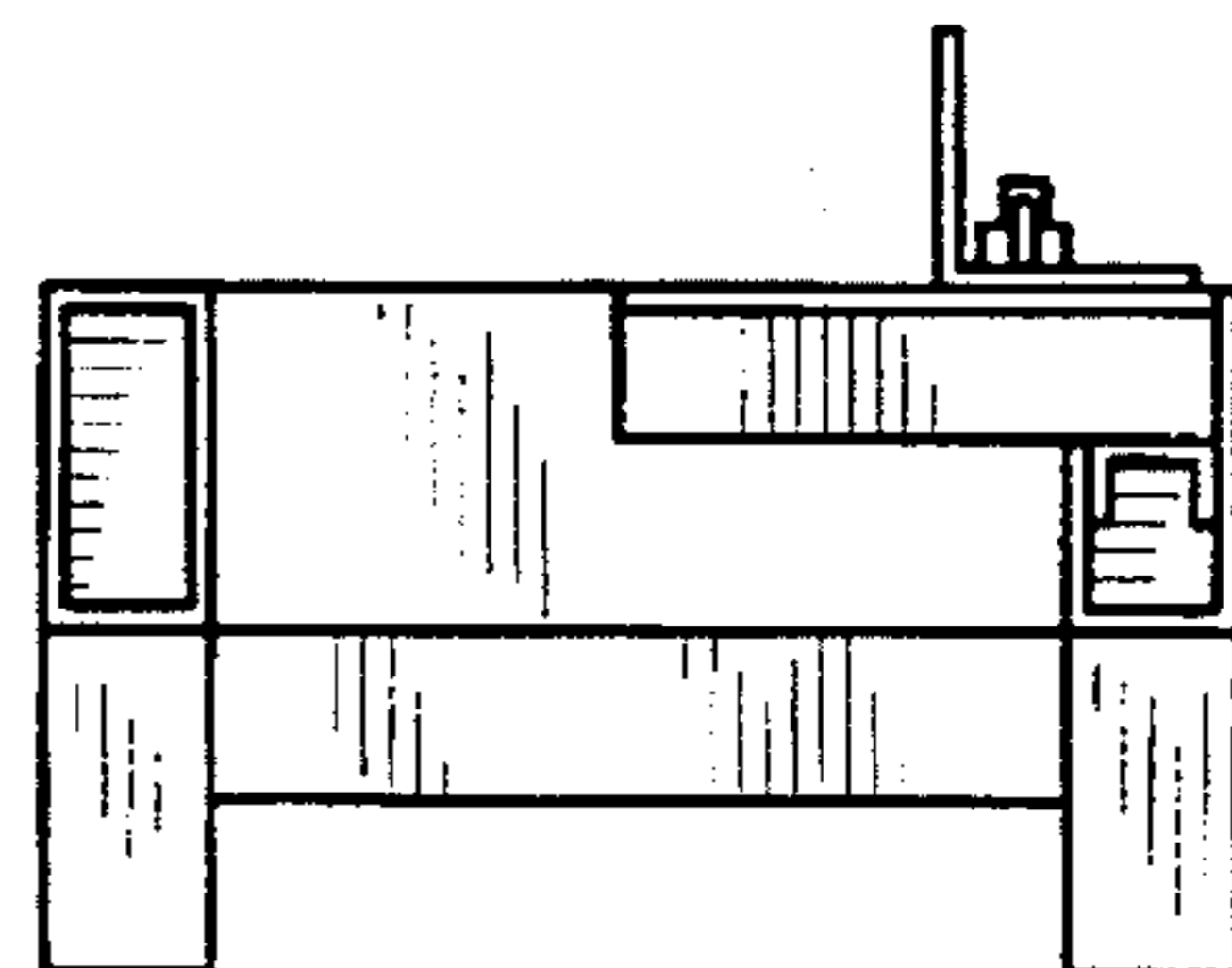


FIG. 5

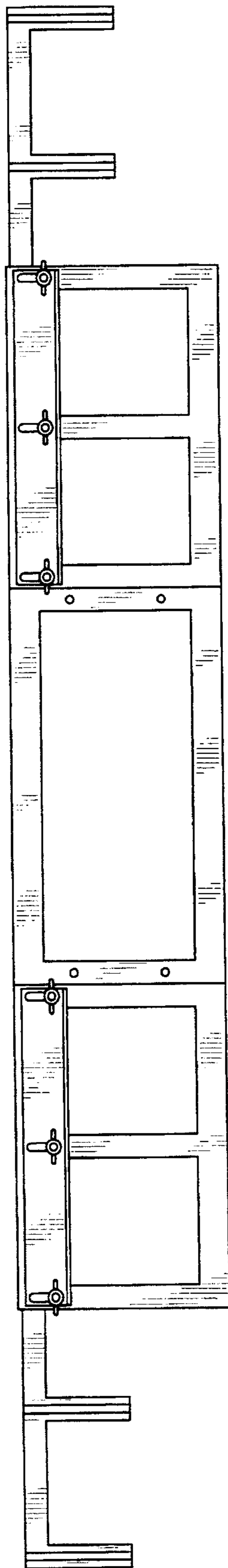
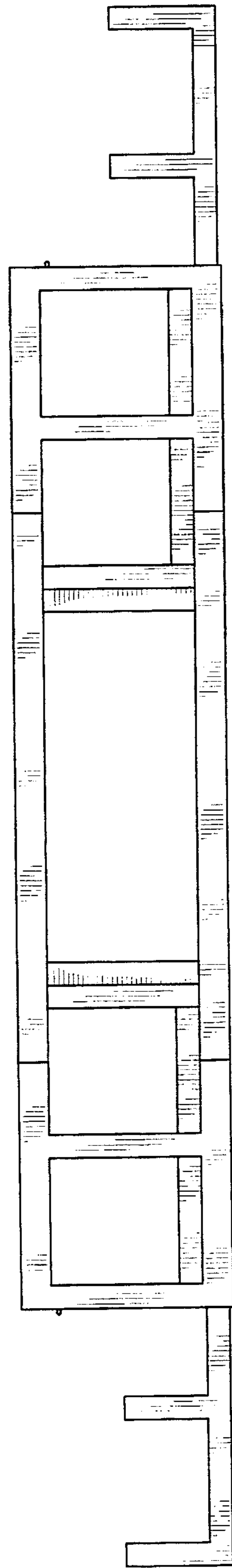


FIG. 6



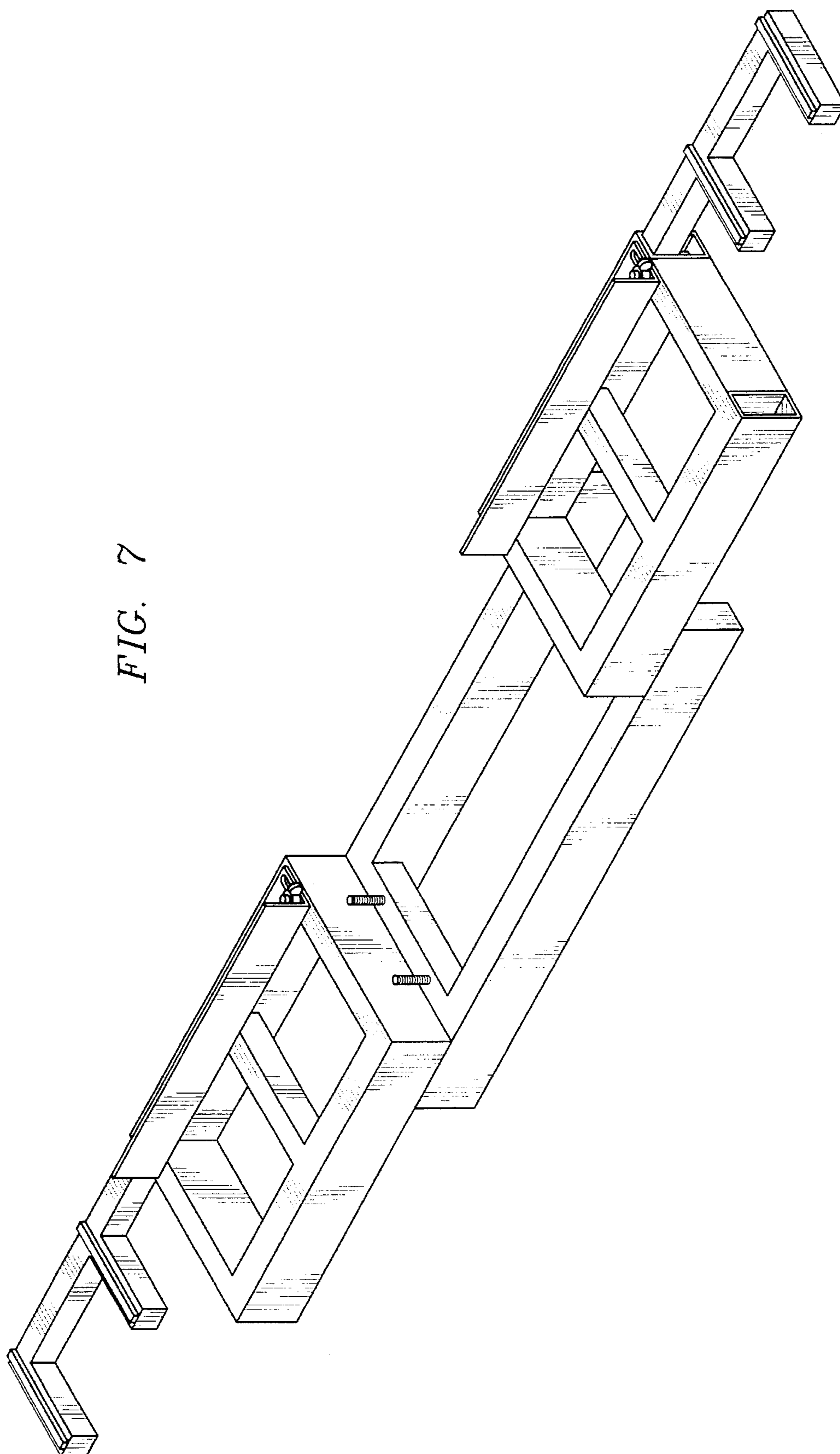


FIG. 7