



US00D366047S

# United States Patent [19]

[11] Patent Number: **Des. 366,047**

Rak et al.

[45] Date of Patent: **\*\*Jan. 9, 1996**

[54] **INTERFACE ACCESSORY FOR PCMCIA DEVICES**

[75] Inventors: **Roman P. Rak**, Delta; **William E. Fenton**, Coquitlam, both of Canada; **Teffy R. Chamoun**, Bloomingdale, Ill.

[73] Assignee: **Motorola Inc.**, Schaumburg, Ill.

[\*\*] Term: **14 Years**

[21] Appl. No.: **34,375**

[22] Filed: **Feb. 3, 1995**

[52] U.S. Cl. .... **D14/256**; D13/147; D14/107; D14/242

[58] **Field of Search** ..... D14/100, 107, D14/109, 114, 140, 240, 242, 256; D13/146, 147, 107, 108; 379/440, 441; 175/220; 361/681-686; 174/50, 52.1; 439/365, 304, 610, 620, 296

[56] **References Cited**

**U.S. PATENT DOCUMENTS**

D. 298,136 10/1988 Toth et al. .... D13/107 X

D. 333,460	2/1993	Huang	.....	D13/147
D. 355,173	2/1995	Fenton et al.	.....	D14/242 X
D. 359,852	7/1995	Wicks	.....	D14/109
4,939,623	7/1990	Equi et al.	.....	361/686 X
5,161,169	11/1992	Galano et al.	.....	361/684 X
5,186,646	2/1993	Pederson	.....	361/686 X
5,263,875	11/1993	Spicer et al.	.....	361/686 X
5,315,478	5/1994	Cadwell et al.	.....	361/684
5,337,220	8/1994	Granitz	.....	361/684 X
5,400,216	3/1995	Tsai	.....	361/684

*Primary Examiner*—Jeffrey Asch  
*Attorney, Agent, or Firm*—Charles W. Bethards

[57] **CLAIM**

The ornamental design for an interface accessory for PCMCIA devices, as shown and described.

**DESCRIPTION**

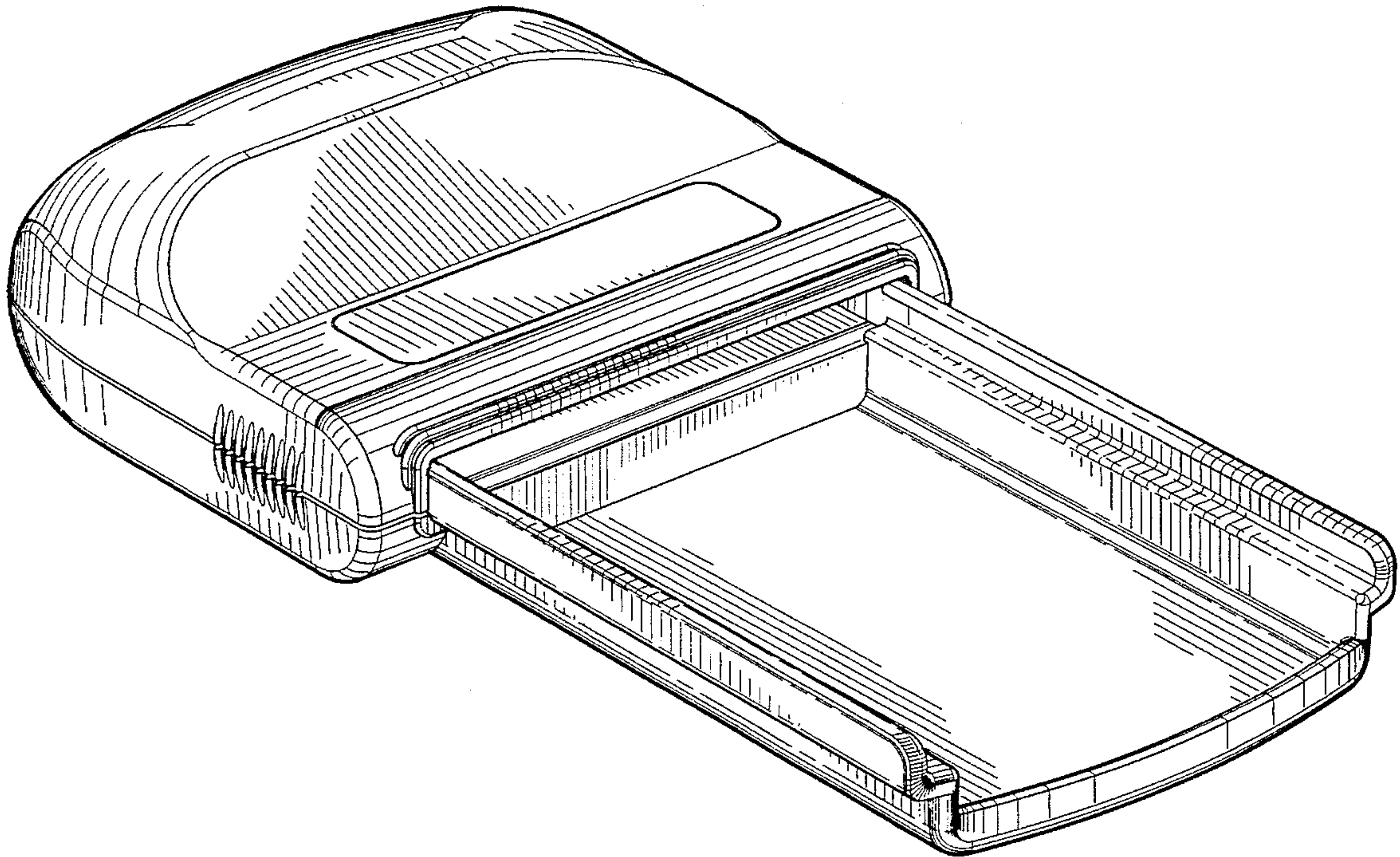
FIG. 1 is a top, front, and right side perspective view of an interface accessory for PCMCIA devices showing our new design;

FIG. 2 is a rear side elevational view thereof;

FIG. 3 is a bottom plan view thereof; and,

FIG. 4 is a left side elevational view thereof.

**1 Claim, 2 Drawing Sheets**



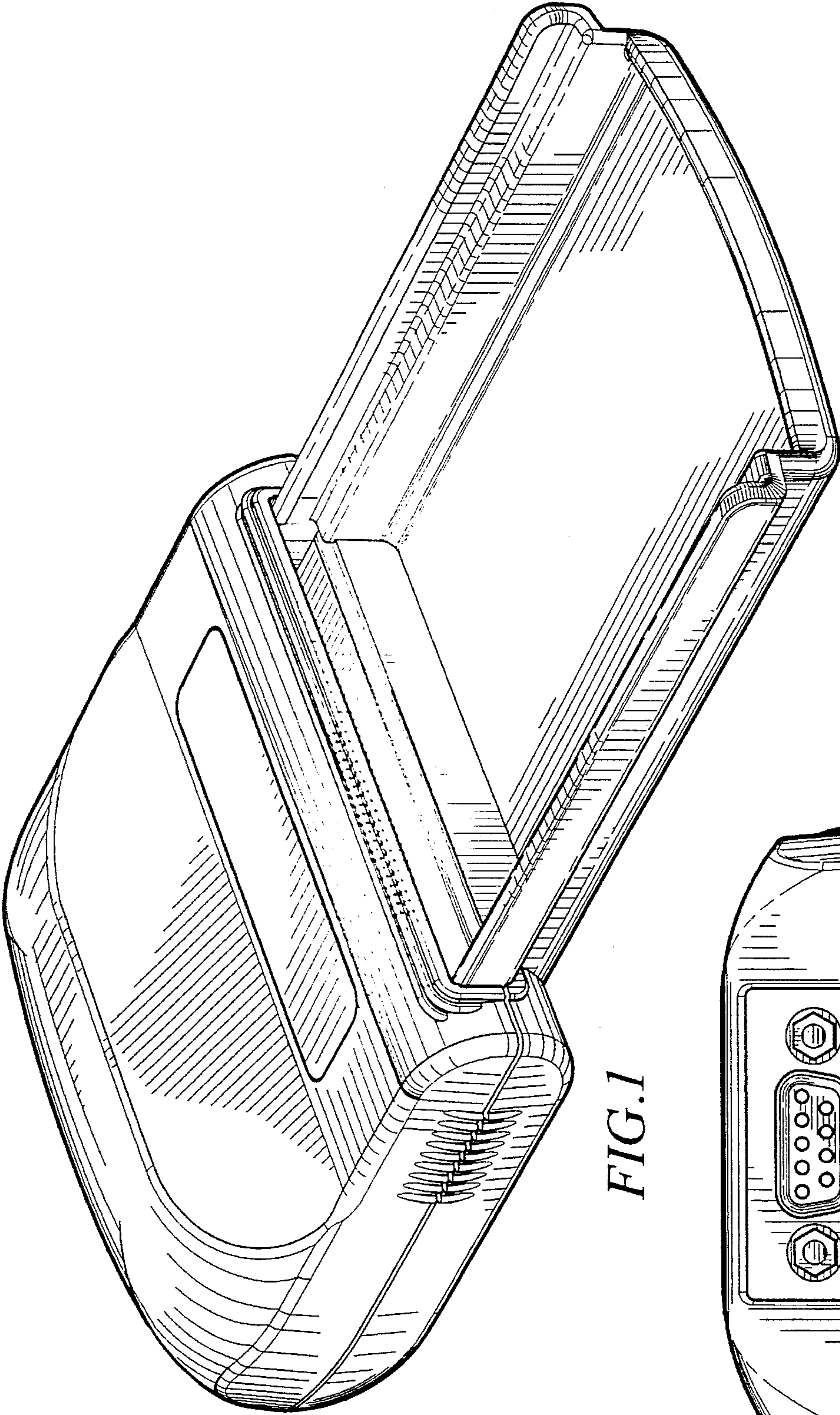


FIG. 1

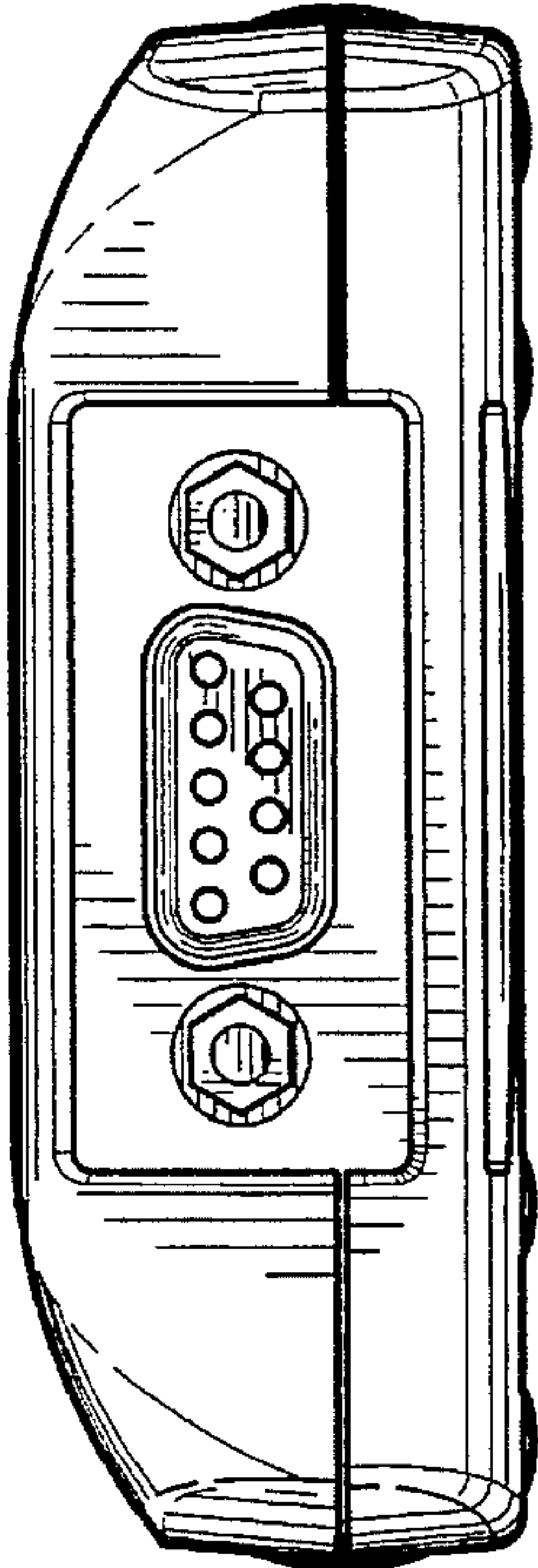


FIG. 2



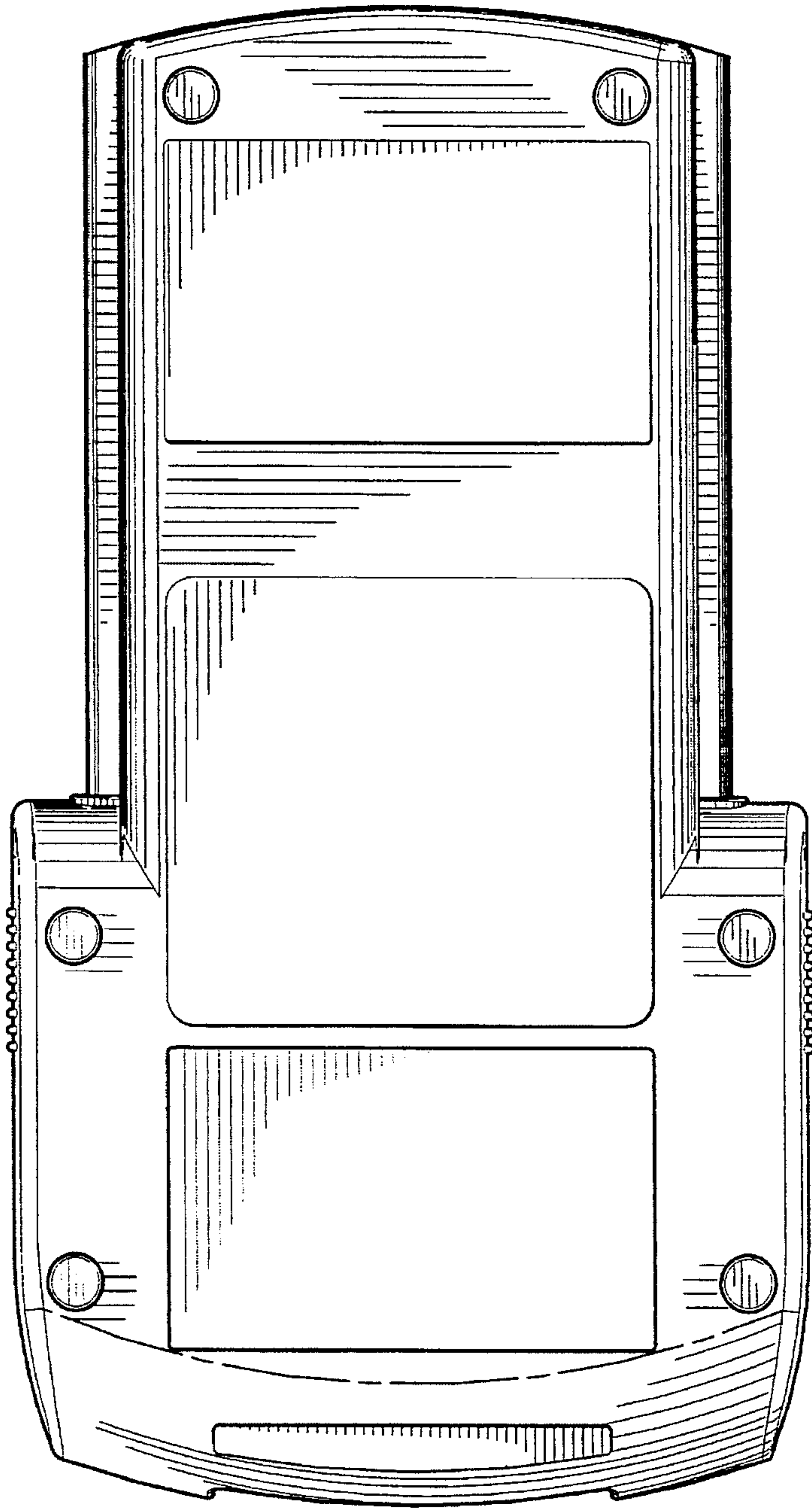


FIG. 3

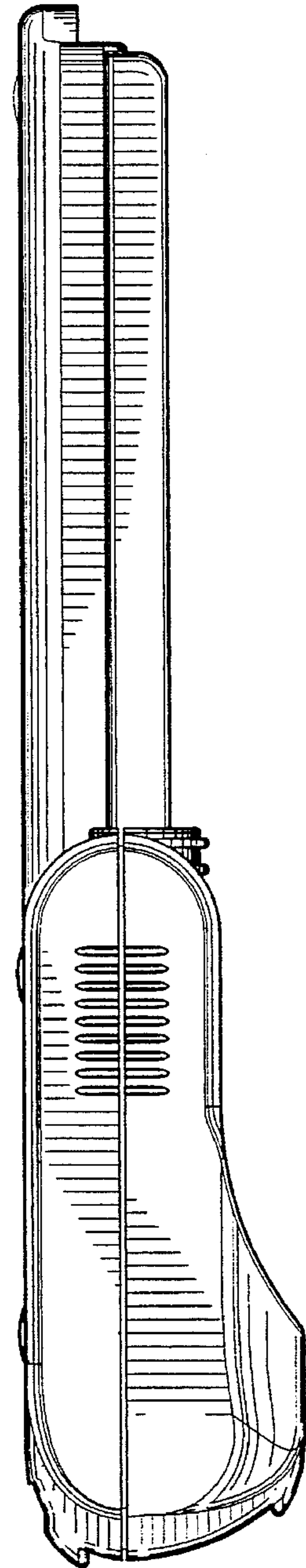


FIG. 4