



US00D366045S

**United States Patent** [19]  
**Hirschhorn**

[11] **Patent Number: Des. 366,045**

[45] **Date of Patent: \*\*Jan. 9, 1996**

[54] **PORTION OF A MICROPHONE WAND**

4,757,546 7/1988 Akino ..... 381/169  
4,991,220 2/1991 Wolf ..... 381/169

[76] Inventor: **Bruce D. Hirschhorn**, 156 Farber Hill Rd., Boonton, N.J. 07005

[\*\*] Term: **14 Years**

[21] Appl. No.: **36,767**

[22] Filed: **Mar. 27, 1995**

**OTHER PUBLICATIONS**

Video Review May, 1988 p. 53, Audio-Technica Microphone.

*Primary Examiner*—Ted Shooman  
*Assistant Examiner*—Nanda Bondade  
*Attorney, Agent, or Firm*—Michael J. Weins

**Related U.S. Application Data**

[62] Division of Ser. No. 3,322, Nov. 25, 1992, Pat. No. Des. 359,051.

[52] **U.S. Cl.** ..... **D14/228; D14/209**

[58] **Field of Search** ..... D14/204, 206, D14/209, 225–229, 299; 381/91, 122, 168–170

[57] **CLAIM**

The ornamental design for portion of a microphone wand, as shown and described.

**DESCRIPTION**

FIG. 1 is a perspective view of a portion of a microphone wand showing my new design, the broken line showing of the ceiling is for illustrative purpose only, and forms no part of the claimed design;

FIG. 2 is a top plan view thereof;

FIG. 3 is a front elevational view thereof, the rear view being identical;

FIG. 4 is a bottom plan view thereof; and,

FIG. 5 is an enlarged right side elevational view thereof.

[56] **References Cited**

**U.S. PATENT DOCUMENTS**

D. 238,185	12/1975	Wellward	.....	D14/209
D. 255,234	6/1980	Wellward et al.	.....	D14/209
D. 275,097	8/1984	Festa et al.	.....	D14/227
D. 278,625	4/1985	Mathiasen	.....	D14/228
D. 289,835	5/1987	Schoenig et al.	.....	D14/229
D. 296,435	6/1988	Kubota	.....	D14/228
3,459,902	8/1969	Warning	.....	381/170

**1 Claim, 3 Drawing Sheets**

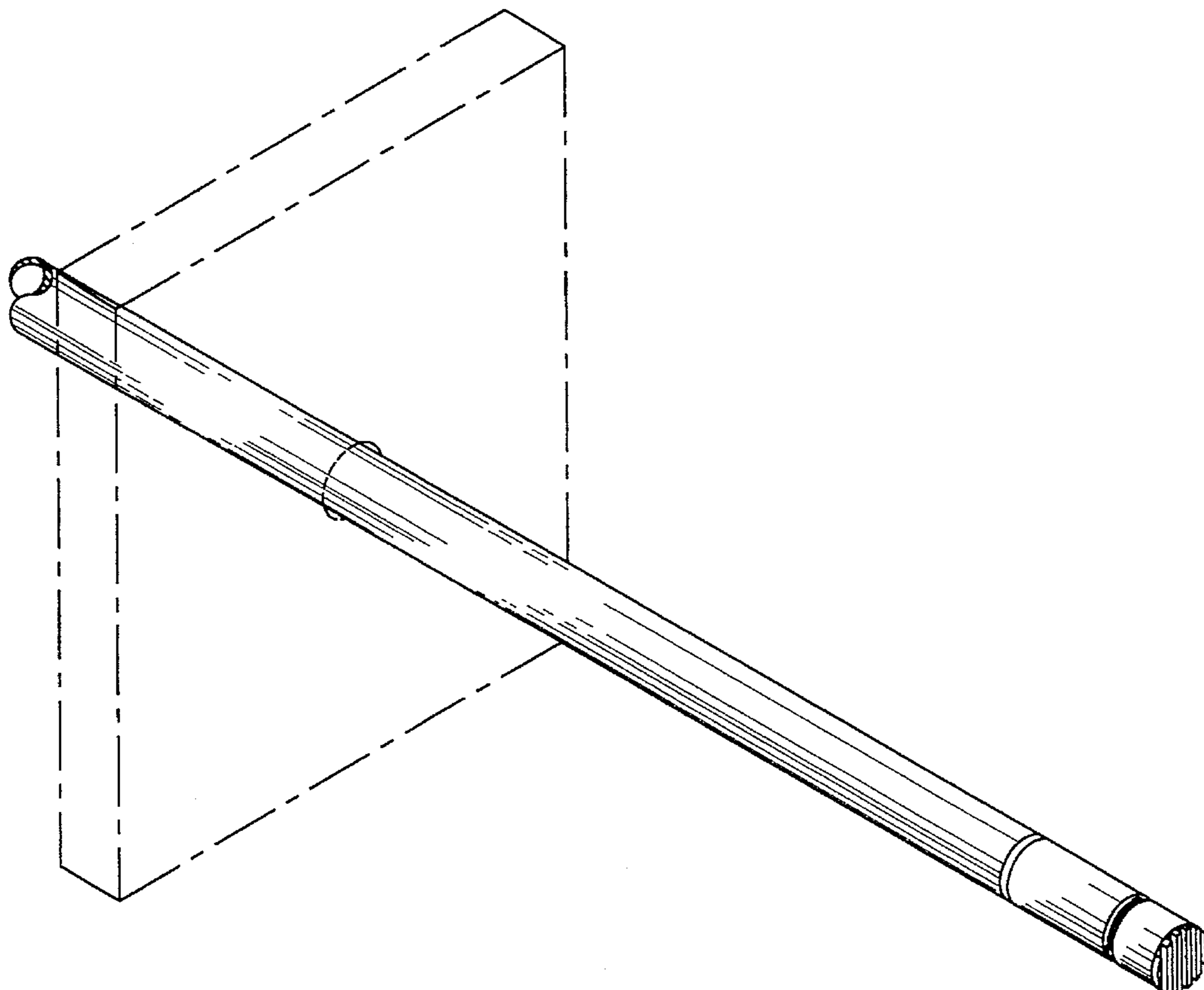
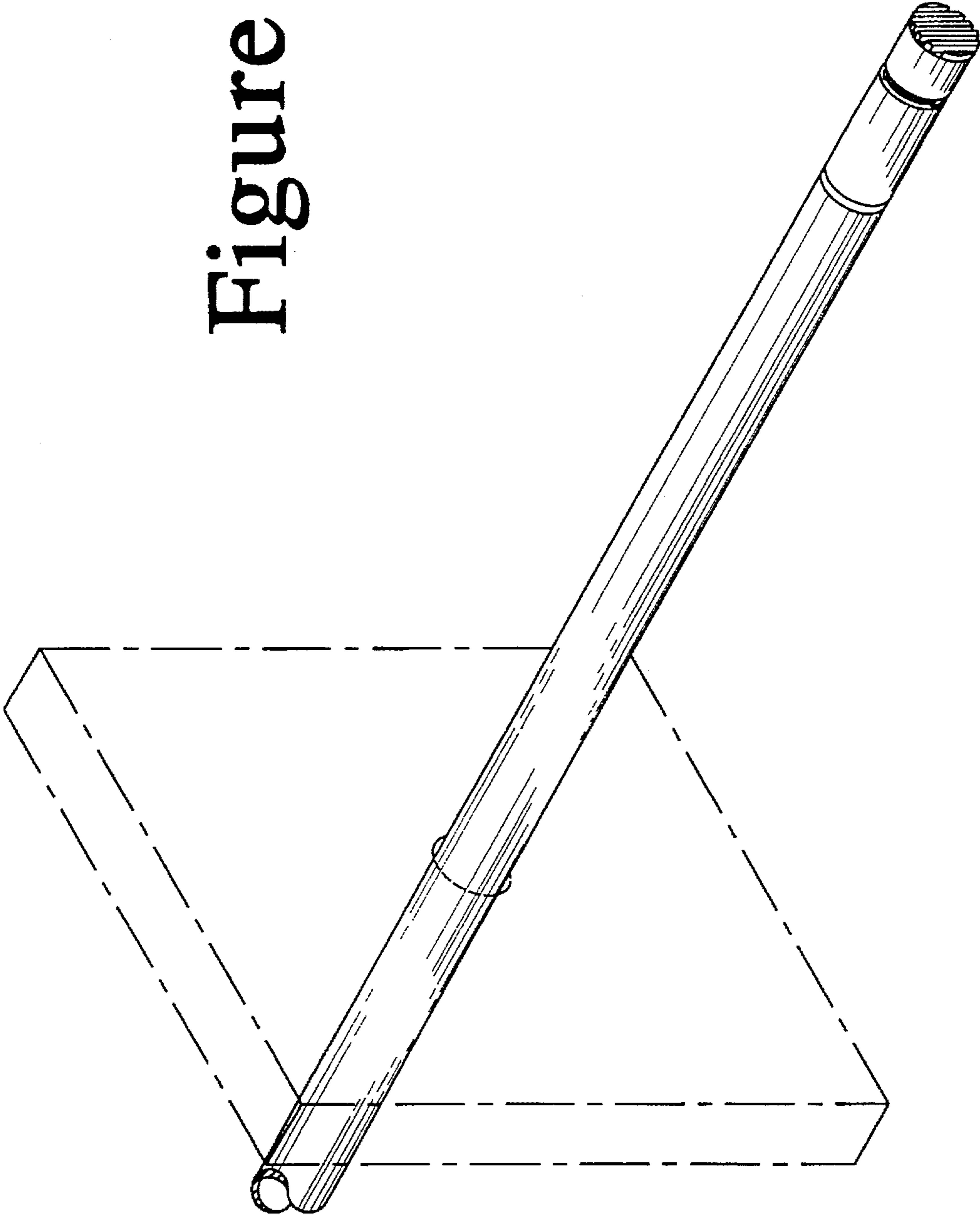


Figure 1



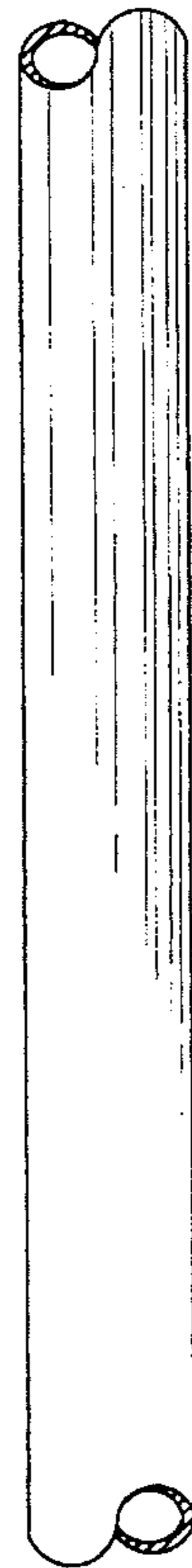
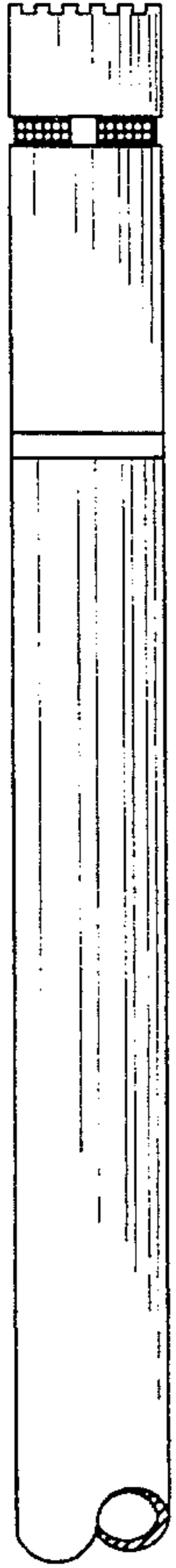


Figure 2

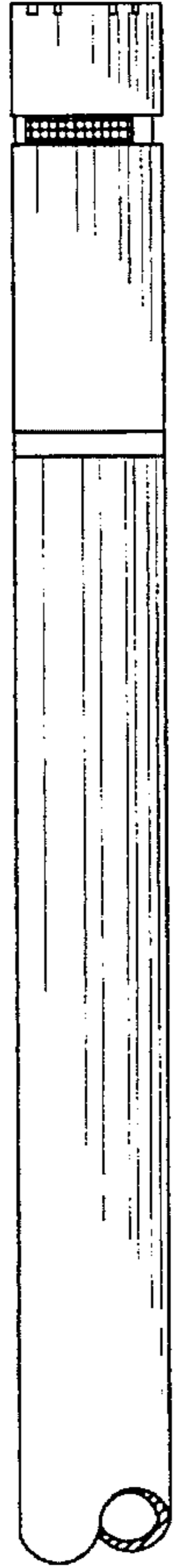


Figure 3

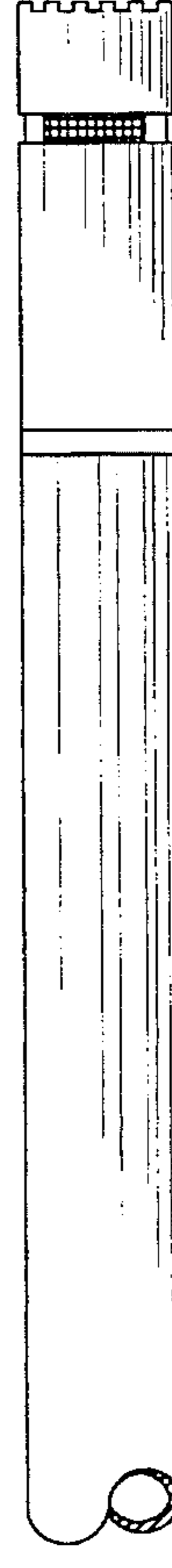
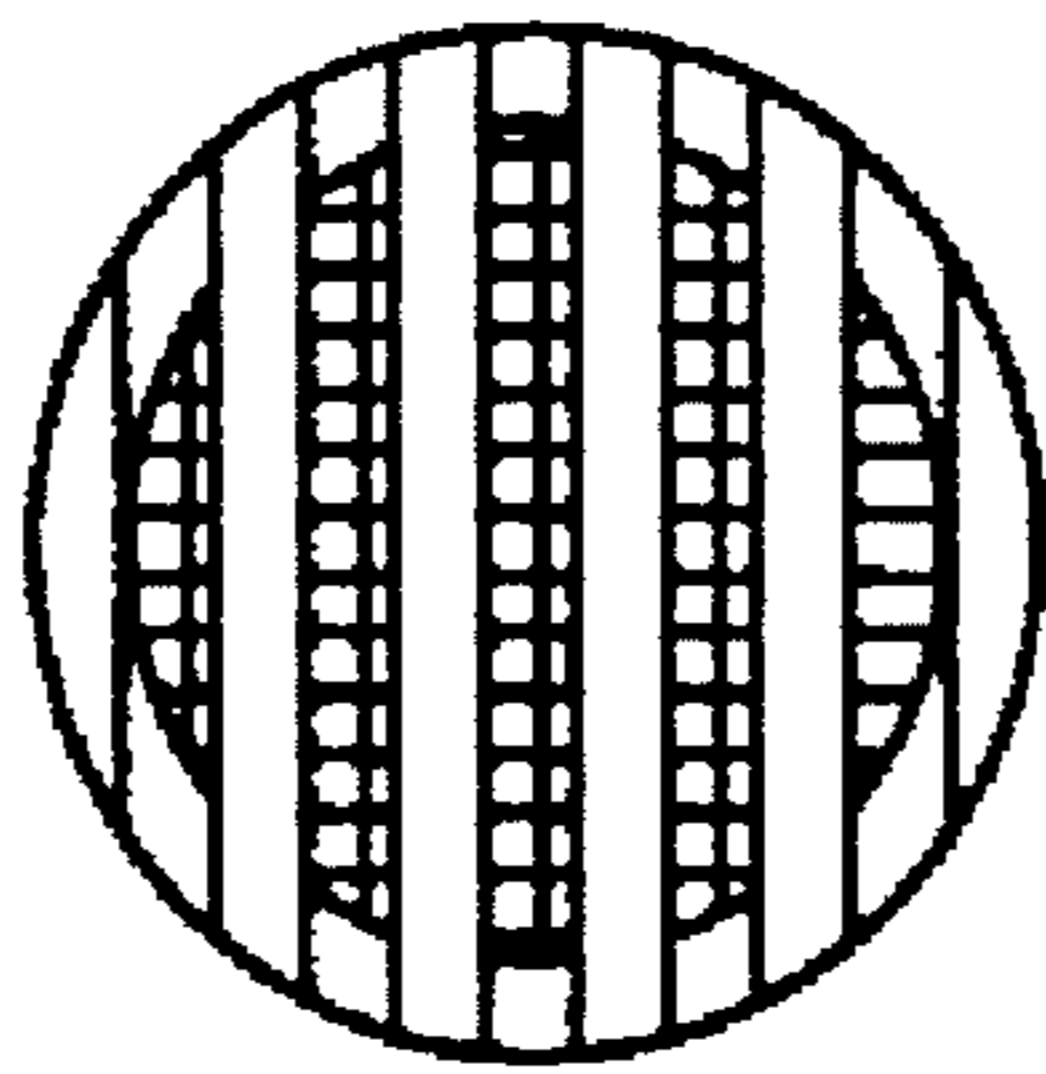


Figure 4



**Figure 5**