



US00D366038S

United States Patent [19]

Rogers

[11] Patent Number: **Des. 366,038**

[45] Date of Patent: ****Jan. 9, 1996**

[54] **WRIST CUSHION**

[76] Inventor: **Sydney M. Rogers**, 16 N. Chatsworth Ave., Larchmont, N.Y. 10538

[**] Term: **14 Years**

[21] Appl. No.: **35,130**

[22] Filed: **Feb. 21, 1995**

[52] U.S. Cl. **D14/114**

[58] Field of Search D14/100, 114;
D18/12; 248/118, 118.1, 118.3, 118.5, 346,
489, 917-924; 400/689-693, 715; D6/601;
5/448, 623

[56] **References Cited**

U.S. PATENT DOCUMENTS

D. 348,659 7/1994 Miller D14/114
4,976,407 12/1990 Schwartz et al. 248/118.3

5,386,956 2/1995 Hatcher 248/118
5,407,156 4/1995 Rossman et al. 248/118.1
5,435,508 7/1995 Deutch et al. 248/118

Primary Examiner—M. H. Tung
Attorney, Agent, or Firm—Charles E. Temko

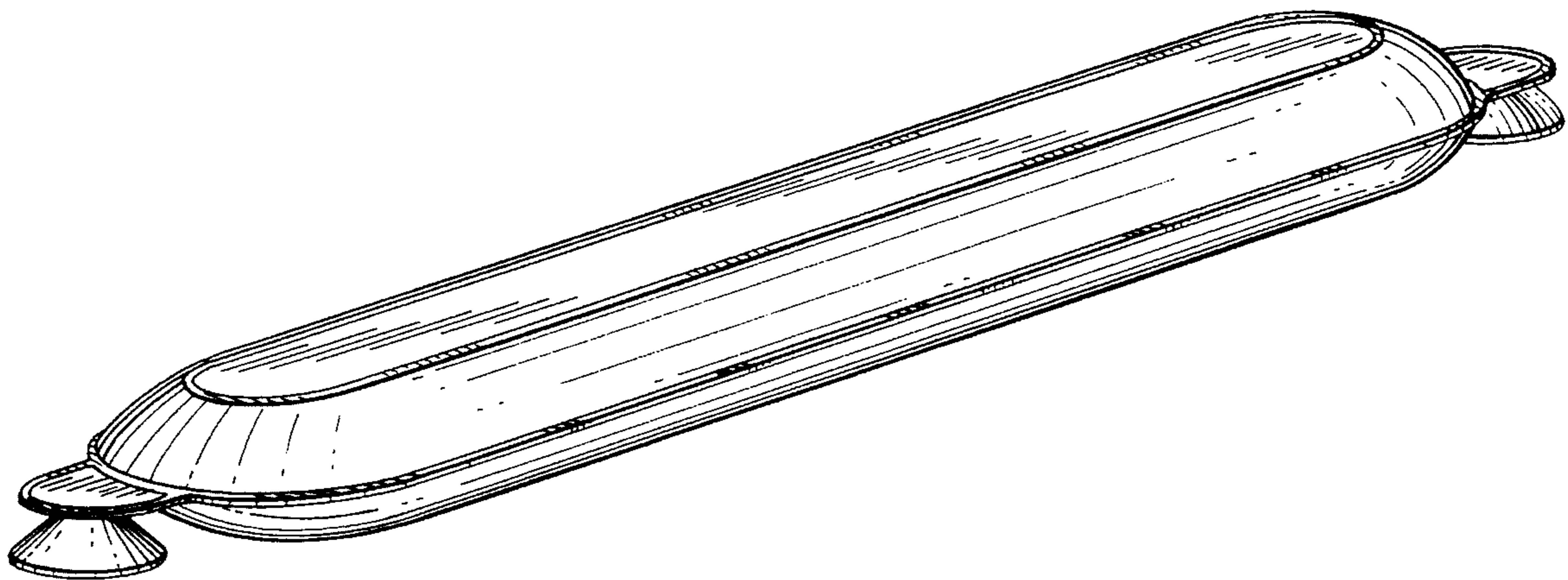
[57] **CLAIM**

The ornamental design for a wrist cushion, as shown and described.

DESCRIPTION

FIG. 1 is a front perspective view showing my new design; FIG. 2 is a front elevational view thereof; FIG. 3 is a left end elevational view thereof, the right end is a mirror image; FIG. 4 is a rear elevational view thereof; and, FIG. 5 is a bottom plan view.

1 Claim, 2 Drawing Sheets



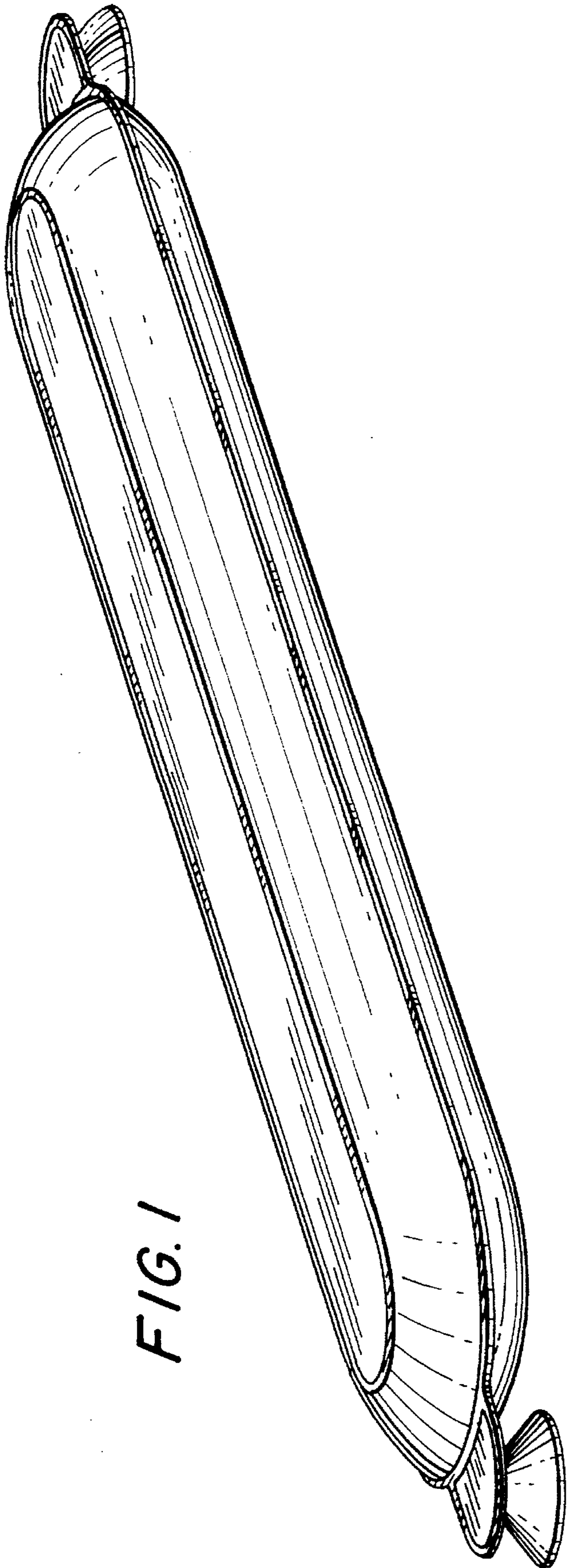
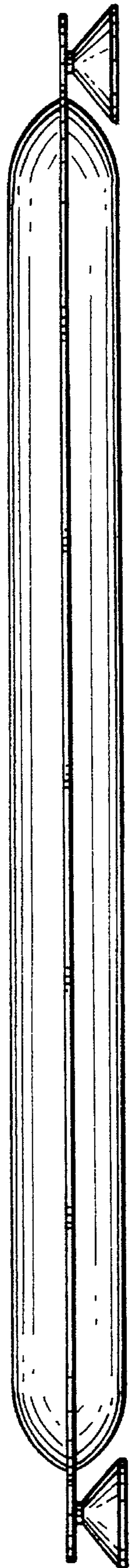


FIG. 1

FIG. 2



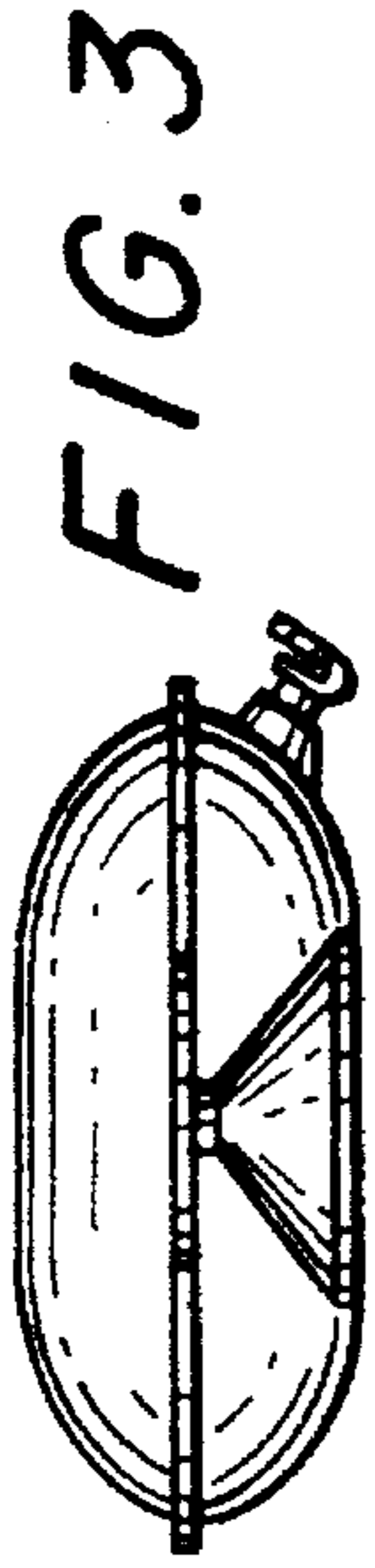


FIG. 4

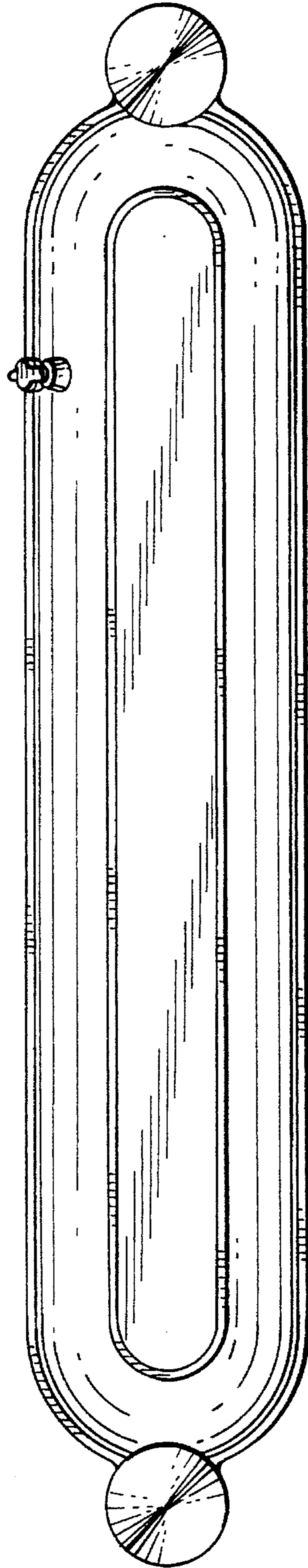
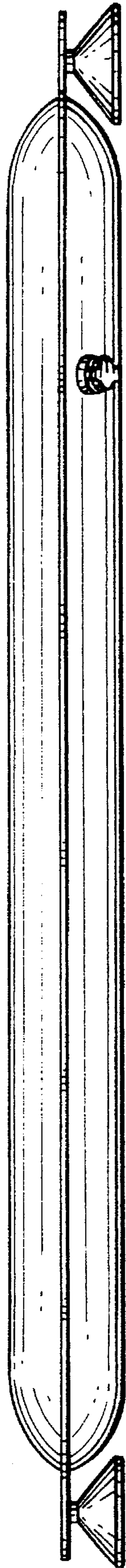


FIG. 5