



US00D366037S

United States Patent [19]

Kawauchi et al.

[11] Patent Number: **Des. 366,037**

[45] Date of Patent: ****Jan. 9, 1996**

[54] **FINGER ACTIVATED CURSOR CONTROL**

[75] Inventors: **Masahiko Kawauchi**, Sunnyvale; **J. Scott Petermann**, San Jose; **Tark Abed**, Palo Alto; **Jay Wilson**, Portola Valley, all of Calif.

[73] Assignee: **Alps Electric (USA) Inc.**, San Jose, Calif.

[**] Term: **14 Years**

[21] Appl. No.: **27,677**

[22] Filed: **Aug. 26, 1994**

[52] U.S. Cl. **D14/114**

[58] Field of Search D14/114; D13/158; D21/48; 178/18-19; 200/5 R, 5 A, 6 R, 6 A; 213/148 B; 273/148 B, 438; 345/156-167; 74/471 XY

[56] **References Cited**

U.S. PATENT DOCUMENTS

D. 336,899 6/1993 England D14/114

D. 340,041 10/1993 Kawashima et al. D14/114
4,927,986 5/1990 Daly D14/114 X
4,954,817 9/1990 Levine D14/114 X
5,045,842 9/1991 Galvin D14/114 X
5,122,654 6/1992 Koh et al. D14/114 X

Primary Examiner—M. H. Tung
Attorney, Agent, or Firm—Guy W. Shoup; Patrick T. Bever

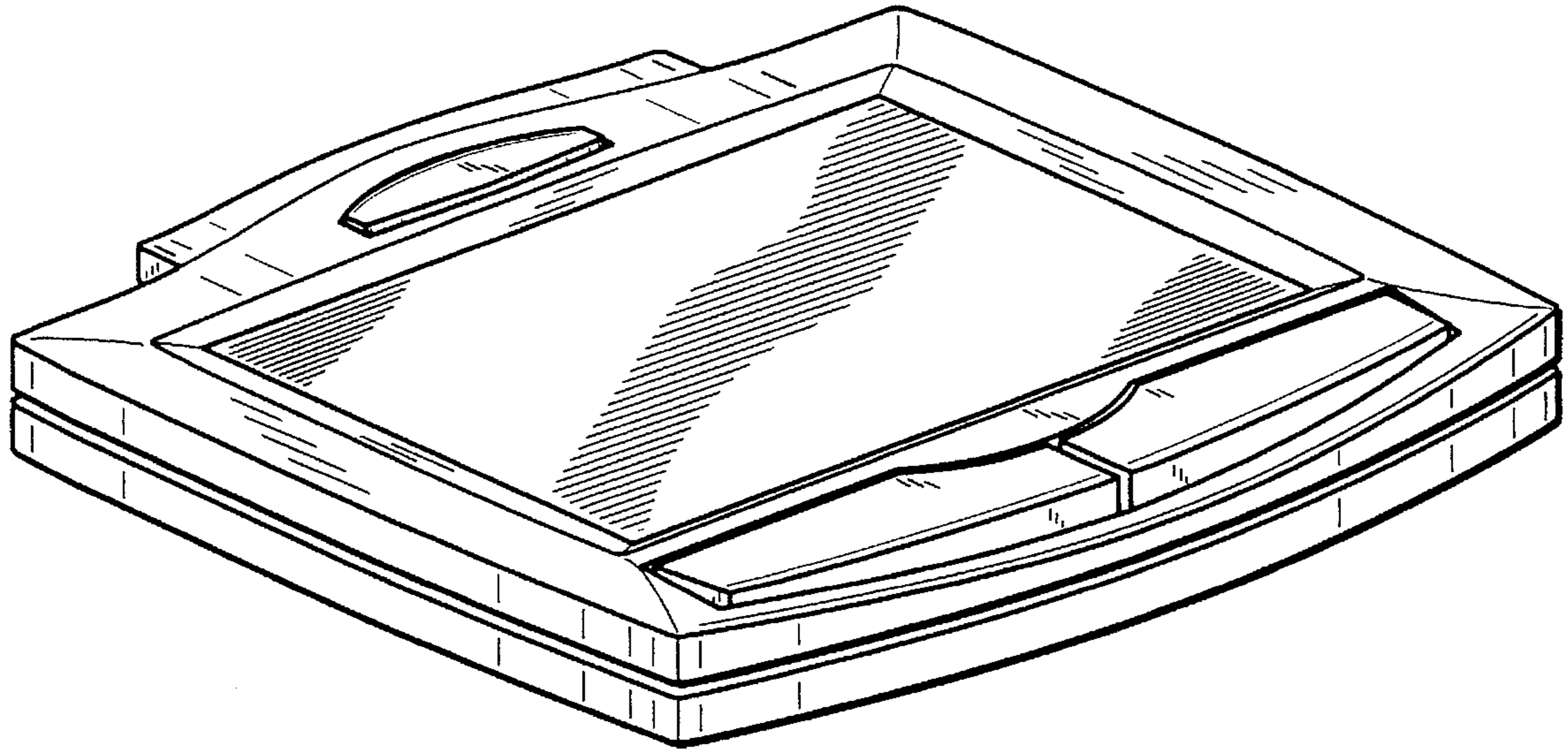
[57] **CLAIM**

The ornamental design for a finger activated cursor control, as shown and described.

DESCRIPTION

FIG. 1 is a perspective front view of a finger activated cursor control for computer;
FIG. 2 is a top plan view thereof;
FIG. 3 is a rear elevation view thereof;
FIG. 4 is a bottom plan view thereof;
FIG. 5 is a front elevation view thereof; and,
FIG. 6 is a right side elevational view, the left side is a mirror image thereof.

1 Claim, 2 Drawing Sheets



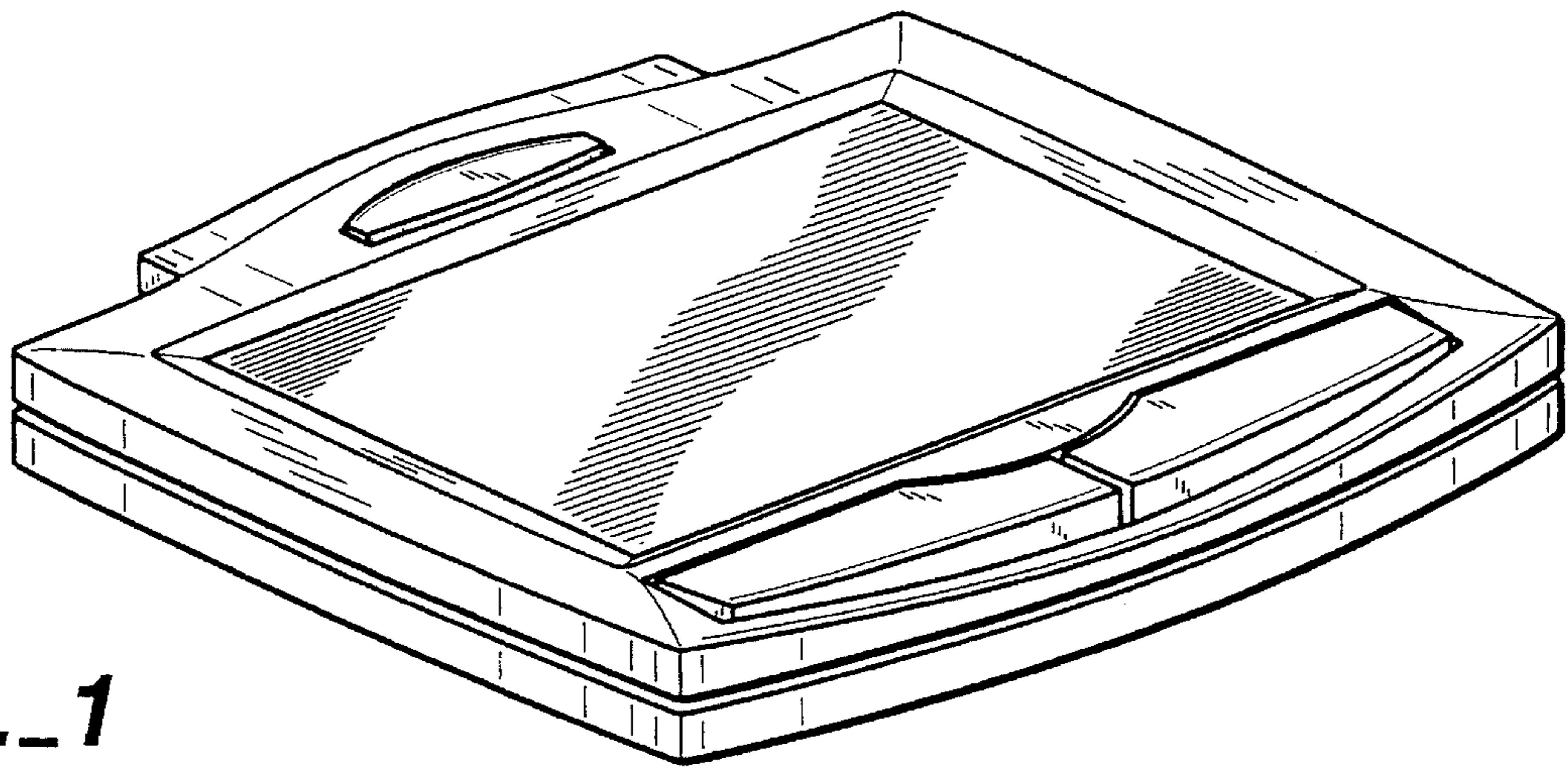


FIG. 1

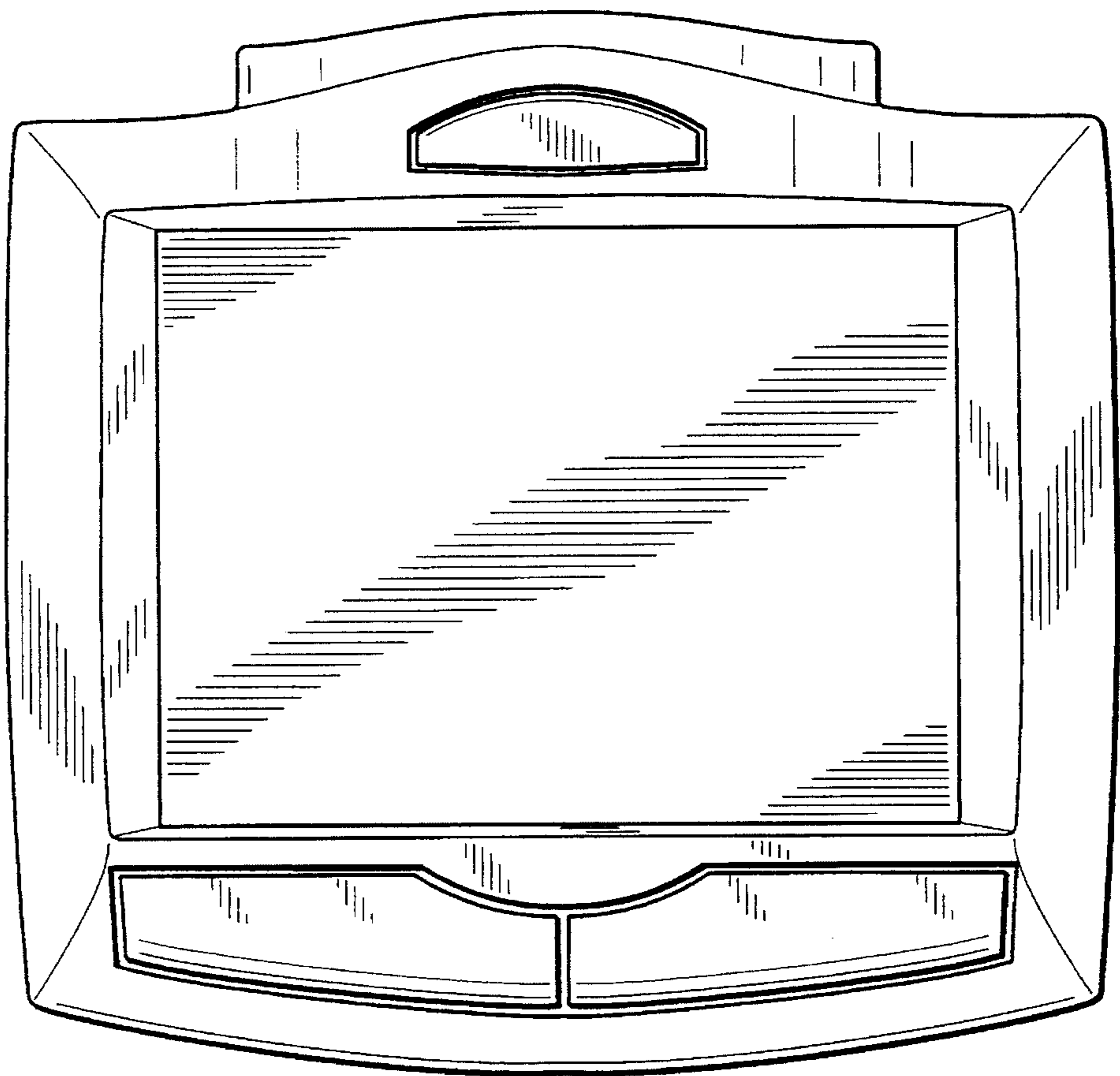


FIG. 2

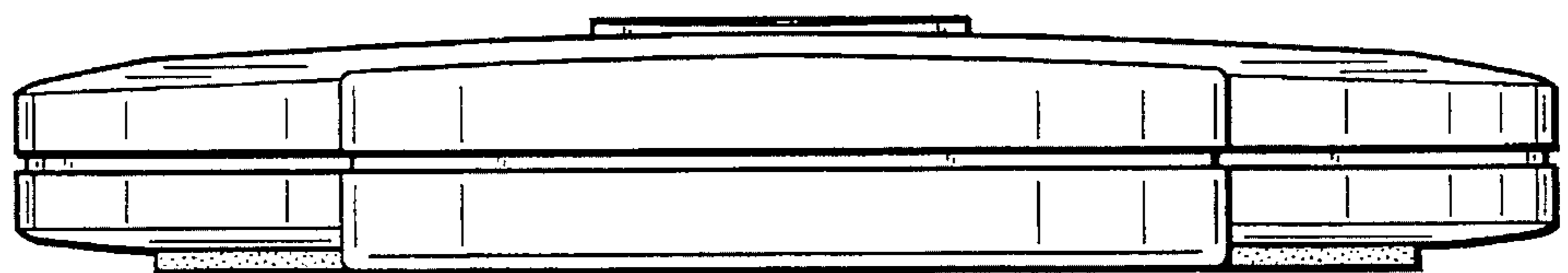


FIG. 3

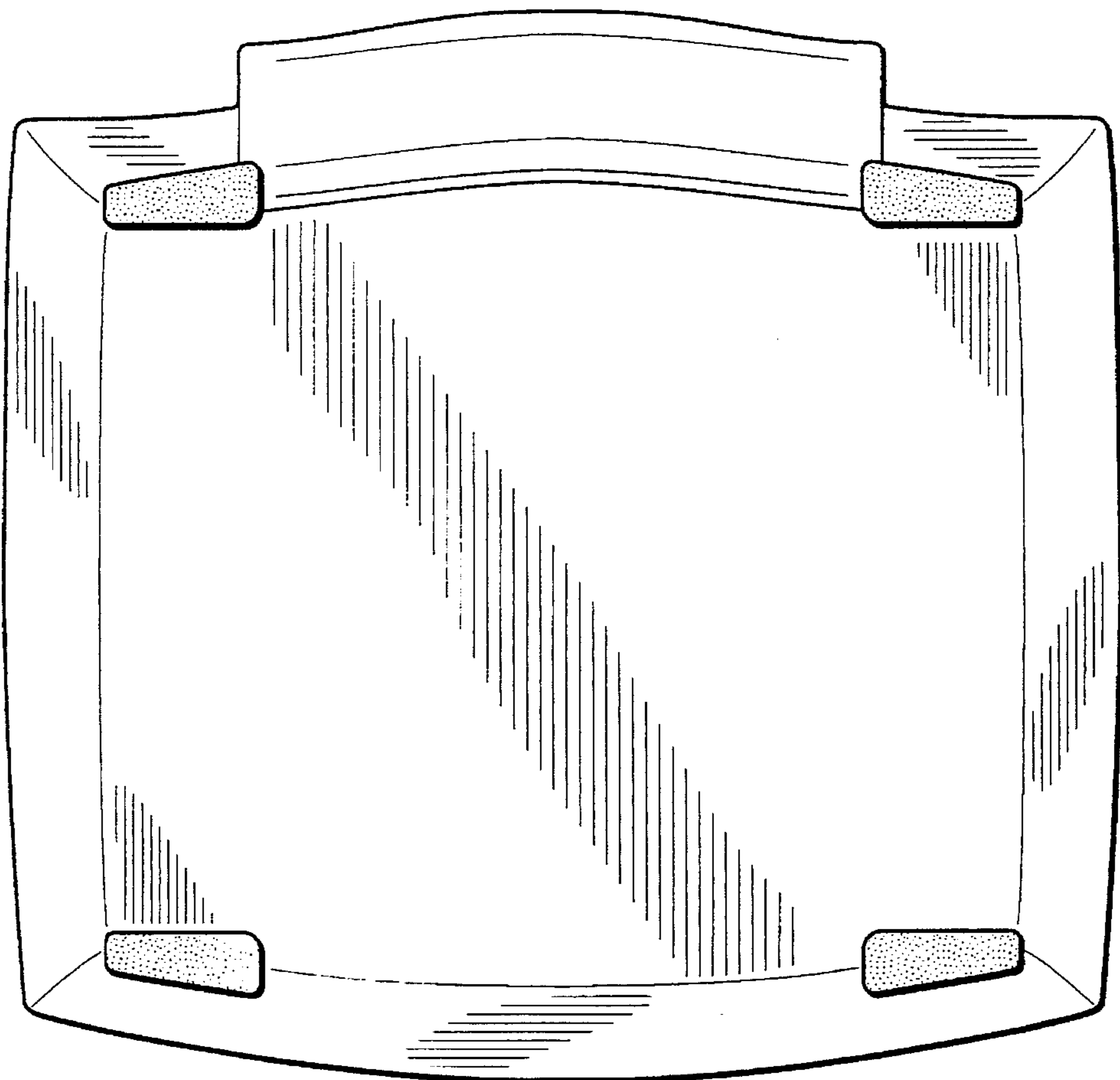


FIG._4

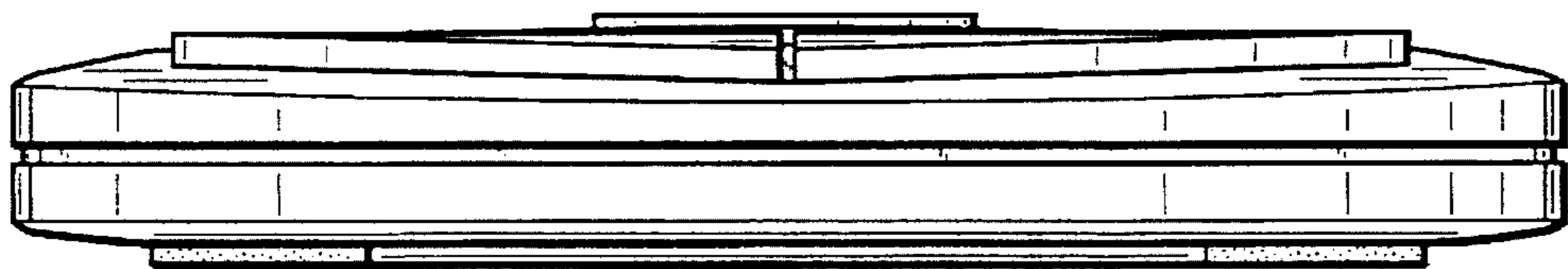


FIG._5

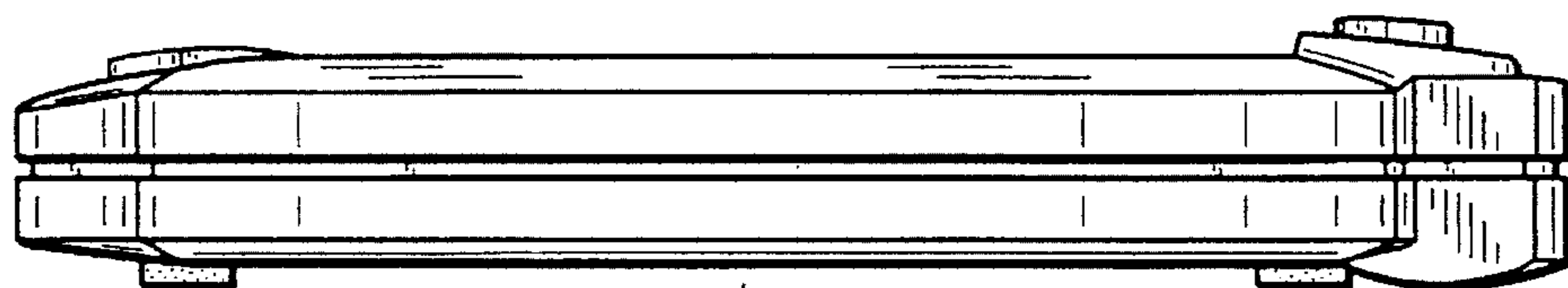


FIG._6