



US00D366034S

# United States Patent [19]

[11] Patent Number: **Des. 366,034**

**Youens et al.**

[45] Date of Patent: **\*\*Jan. 9, 1996**

[54] **EXPANSION BASE FOR A NOTEBOOK PERSONAL COMPUTER**

D. 356,782 3/1995 Leman .  
5,182,698 1/1993 Kobayashi et al. .... D14/107 X

[75] Inventors: **John E. Youens**, Tomball, Tex.; **John Von Buelow**, Oak Park, Calif.; **Stanley H. Wada**, Arleta, Calif.; **Brian R. Heidsiek**, Mar Vista, Calif.

*Primary Examiner*—Freda Nunn  
*Attorney, Agent, or Firm*—L. Jon Lindsay

[73] Assignee: **Compaq Computer Corporation**, Houston, Tex.

[57] **CLAIM**

The ornamental design for an expansion base for a notebook personal computer, as shown and described.

[\*\*] Term: **14 Years**

**DESCRIPTION**

[21] Appl. No.: **24,925**

FIG. 1 is a front, right side, top perspective view of an expansion base for a notebook personal computer showing our new design with a notebook computer being shown in its operative position in broken lines for illustrative purposes only and forming no part of the claimed design;

[22] Filed: **Jun. 23, 1994**

[52] U.S. Cl. .... **D14/107**

FIG. 2 is a front, right side, top perspective view of the expansion base for a notebook personal computer showing our new design;

[58] **Field of Search** ..... D14/100, 107, D14/114; D13/184, 199; 361/683-686; 364/708.1; 439/95, 284, 357, 372

FIG. 3 is a top plan view thereof;

FIG. 4 is a front elevational view thereof;

FIG. 5 is a left side elevational view thereof;

FIG. 6 is a right side elevational view thereof;

FIG. 7 is a bottom plan view thereof; and,

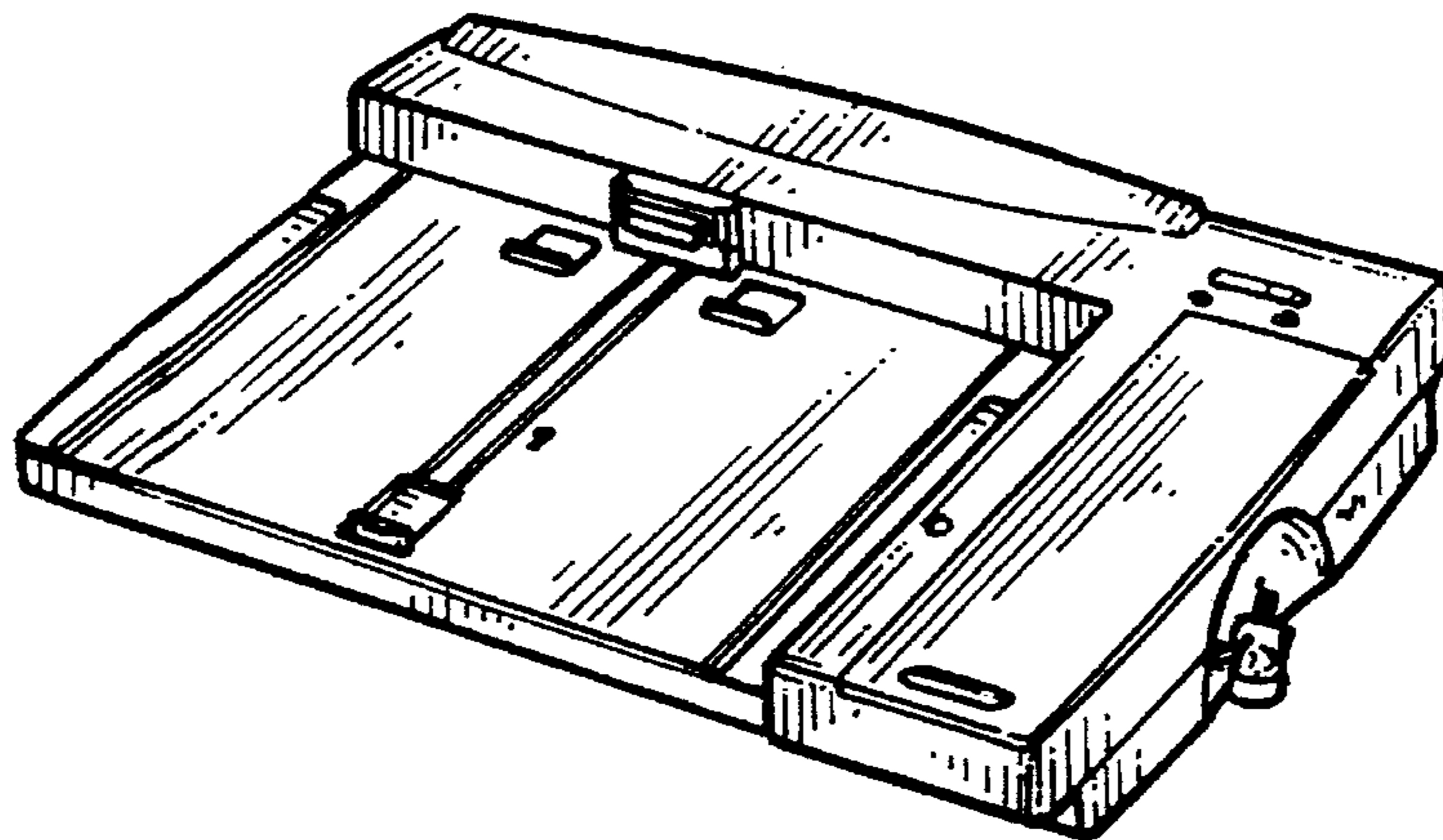
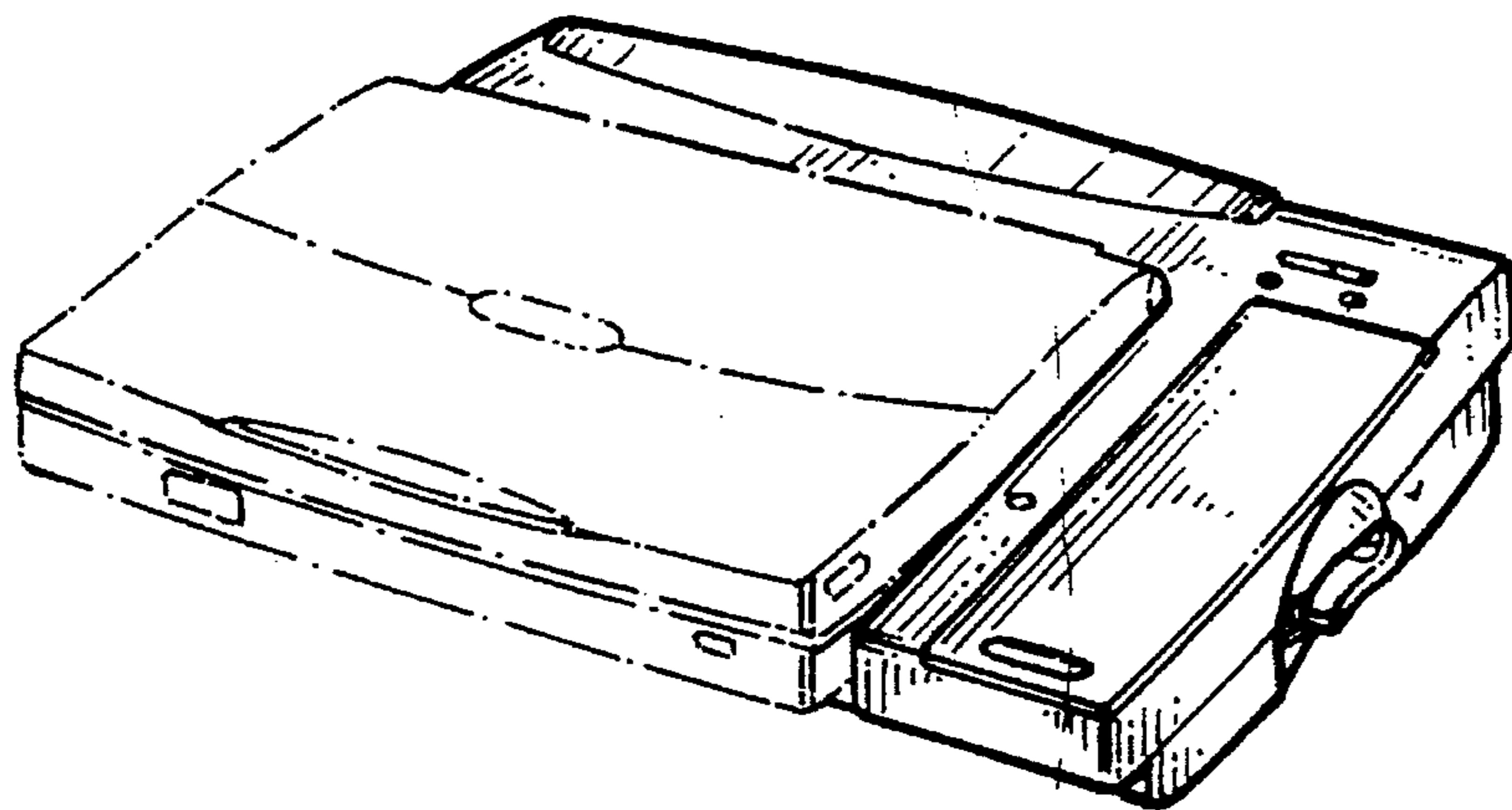
FIG. 8 is a rear elevational view thereof.

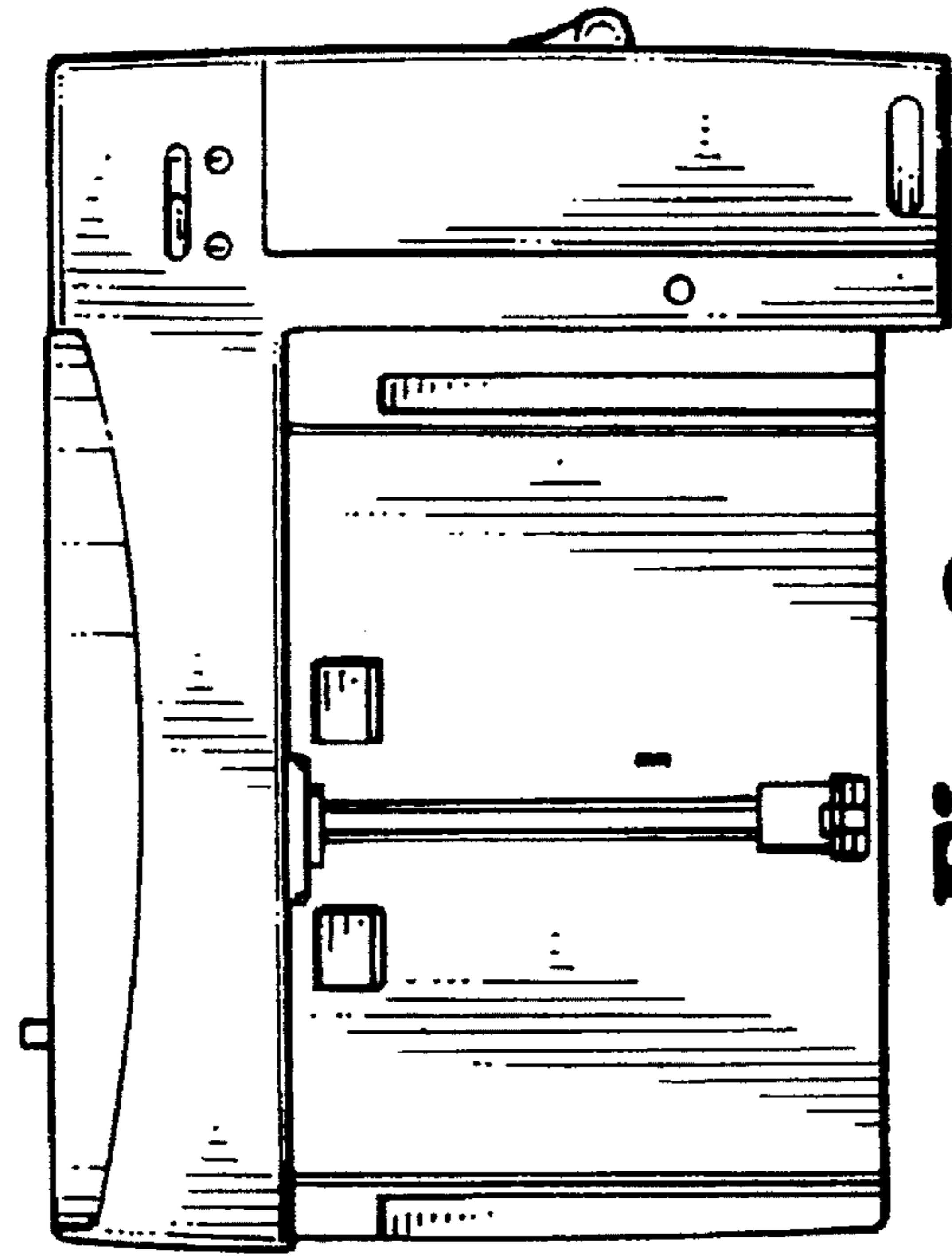
[56] **References Cited**

**U.S. PATENT DOCUMENTS**

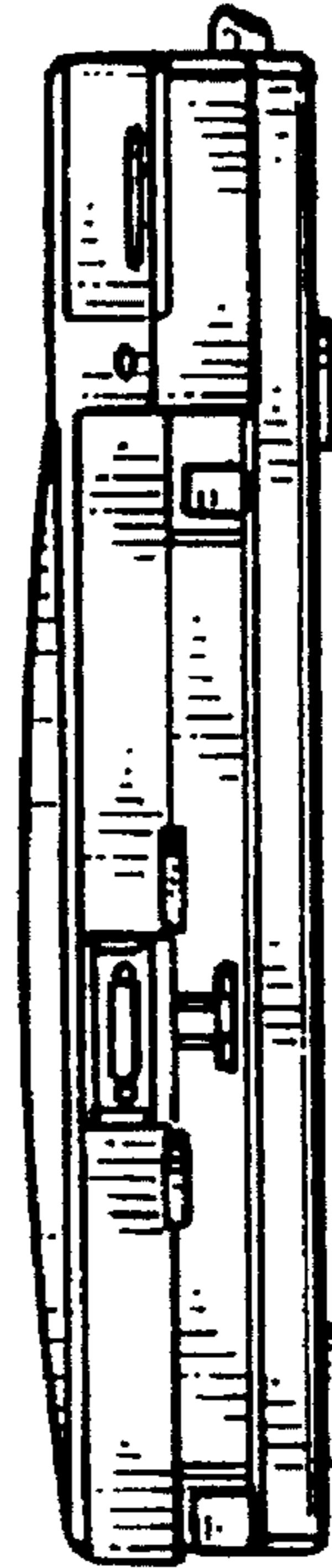
D. 320,196 9/1991 Carter et al. .... D14/107  
D. 335,490 5/1993 Mesfin et al. .... D14/107  
D. 355,490 2/1995 Mesfin et al. .... D14/107

**1 Claim, 2 Drawing Sheets**

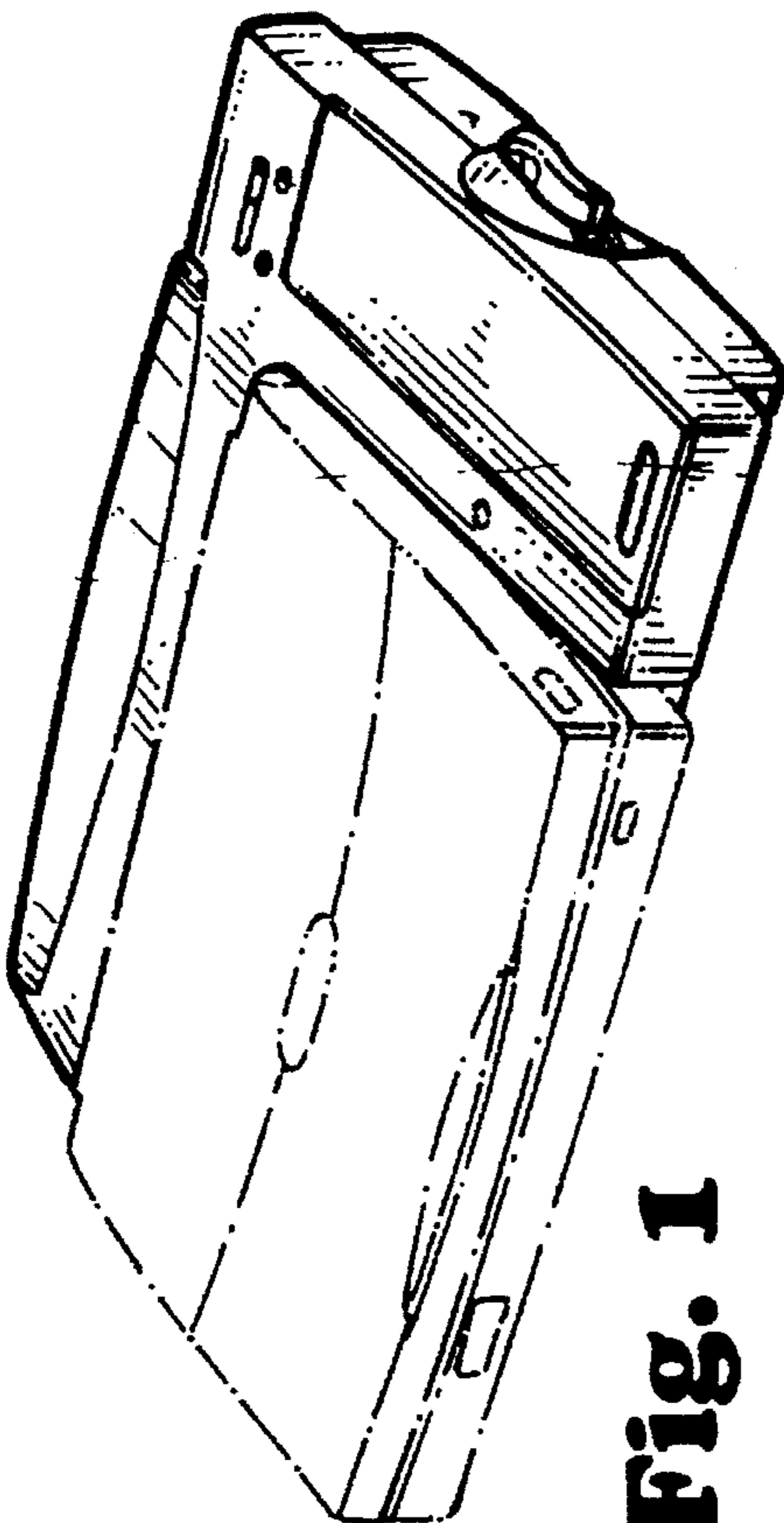




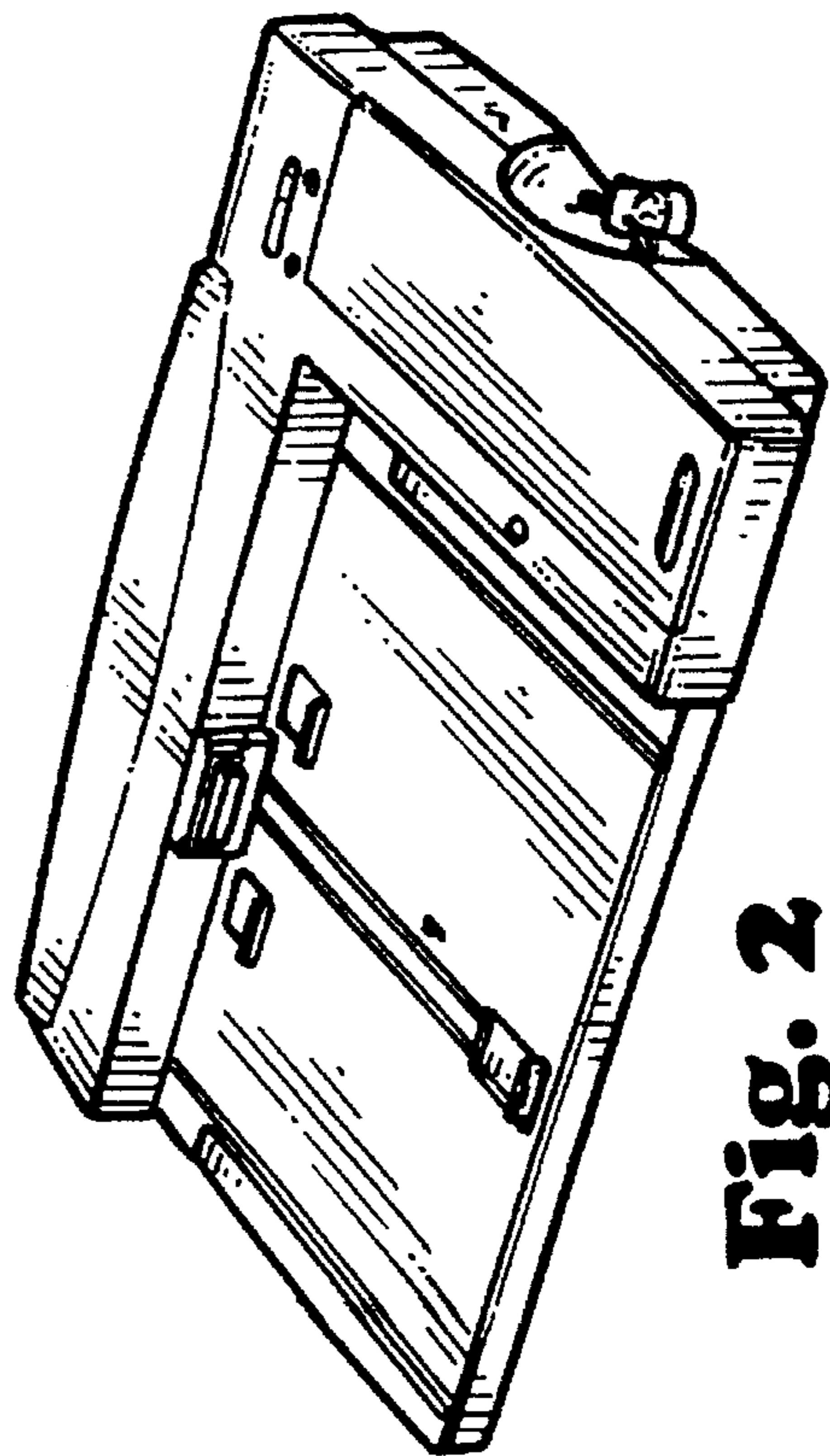
**Fig. 3**



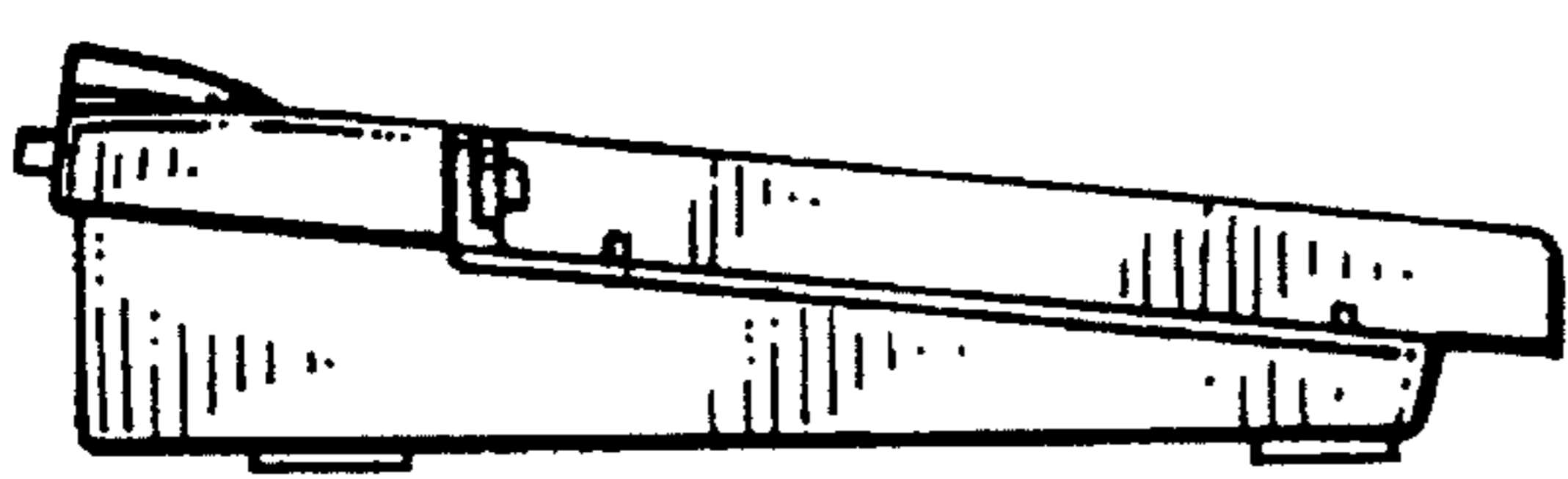
**Fig. 4**



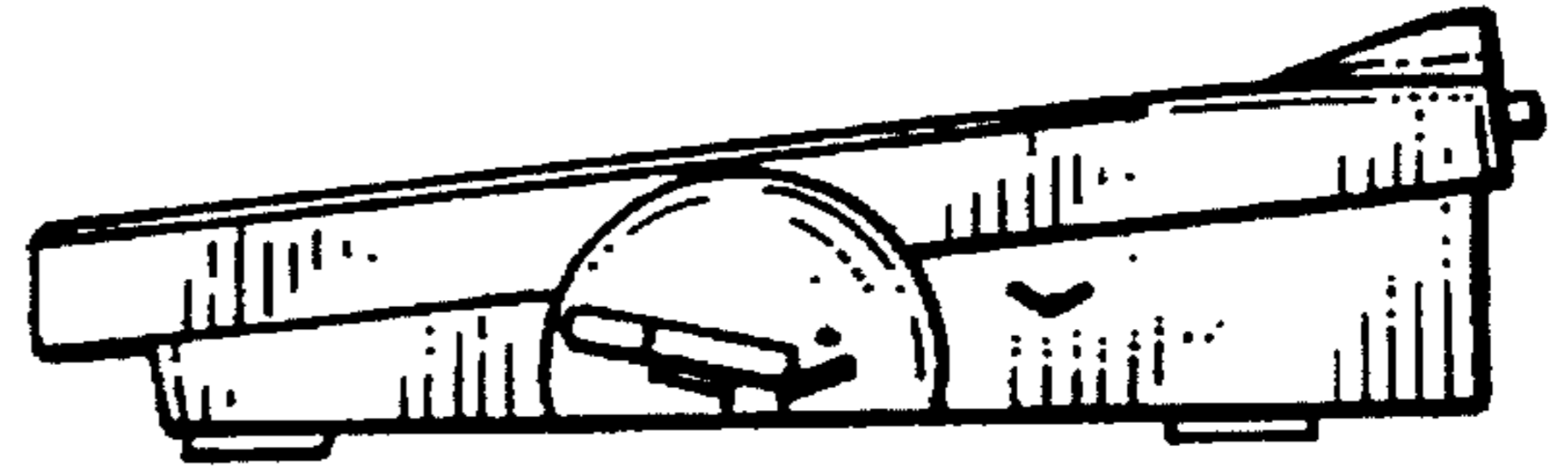
**Fig. 1**



**Fig. 2**

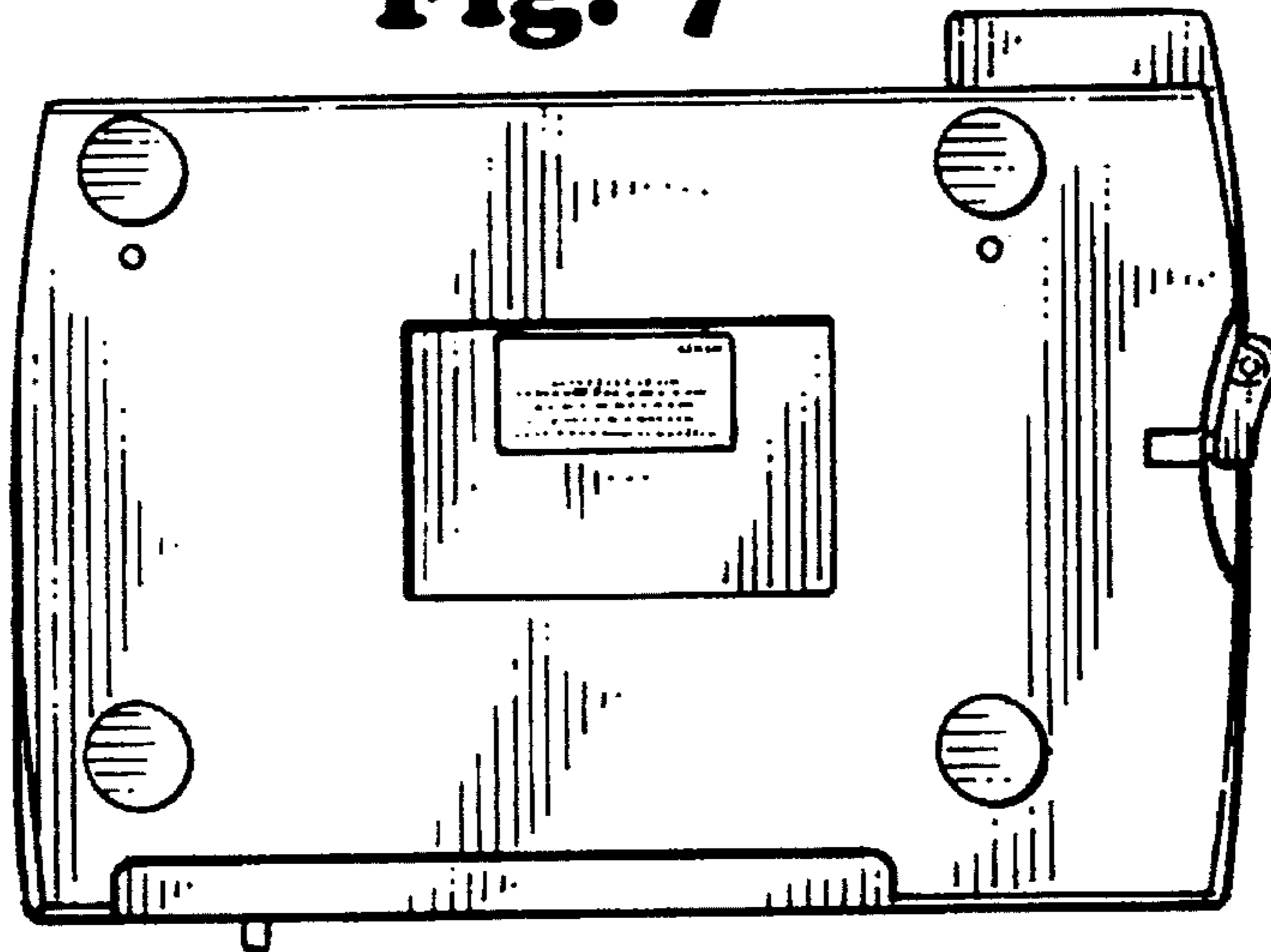


**Fig. 5**



**Fig. 6**

**Fig. 7**



**Fig. 8**

