



US00D366030S

# United States Patent [19]

[11] Patent Number: **Des. 366,030**

Tinsley, Jr. et al.

[45] Date of Patent: **\*\*Jan. 9, 1996**

[54] **PERSONAL COMPUTER HOUSING**

[75] Inventors: **Edwin C. Tinsley, Jr.**, Austin; **James H. Quiggins**, Houston, both of Tex.

[73] Assignee: **Compuadd Corporation**, Austin, Tex.

[\*\*] Term: **14 Years**

[21] Appl. No.: **12,788**

[22] Filed: **Sep. 10, 1993**

[52] U.S. Cl. .... **D14/102**

[58] Field of Search ..... D14/100, 102, D14/107-109; D13/162, 184, 199; 312/208.1, 223.2, 223.3, 194; 360/97.01, 97.04, 98.01, 99.01, 99.12; 361/600, 622, 724-728

[56] **References Cited**

**U.S. PATENT DOCUMENTS**

- D. 294,355 2/1988 Giannotti, Jr. et al. .... D14/102
- D. 321,864 11/1991 Tedham ..... D14/102 X

- D. 335,655 5/1993 Hill ..... D14/102
- D. 342,488 12/1993 Kuzumoto et al. .... D14/109
- D. 345,964 4/1994 Hultgren et al. .... D14/100

*Primary Examiner*—Freda S. Nunn  
*Attorney, Agent, or Firm*—Baker & Botts

[57] **CLAIM**

The ornamental design for a personal computer housing, as shown and described.

**DESCRIPTION**

FIG. 1 is a reduced perspective view of a personal computer housing showing our new design; FIG. 2 is a front elevational view thereof; FIG. 3 is a left side elevational view thereof; FIG. 4 is a right side elevational view thereof; FIG. 5 is a rear elevational view thereof; and, FIG. 6 is a top plan view thereof. The bottom view, not shown, is plain and unadorned.

**1 Claim, 3 Drawing Sheets**

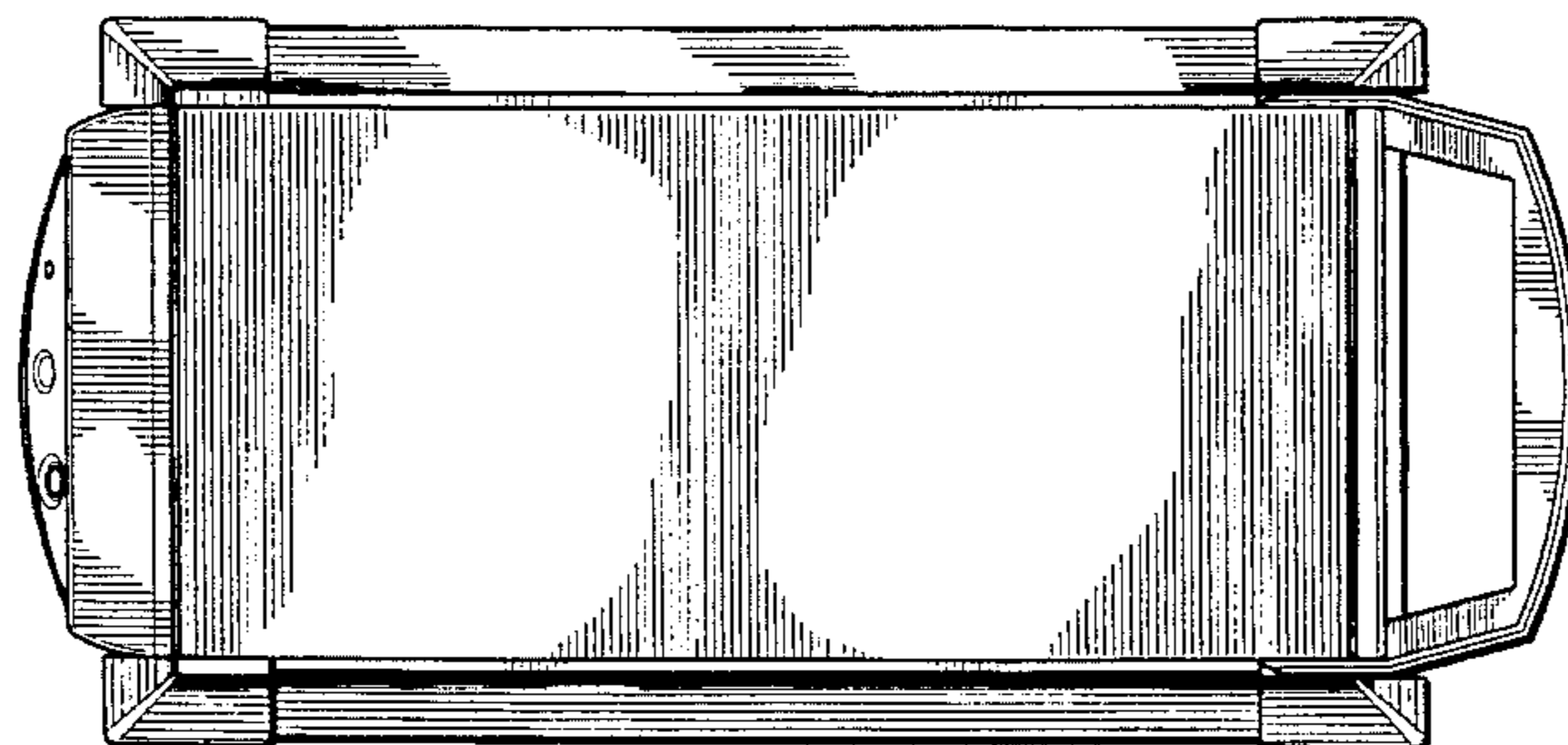
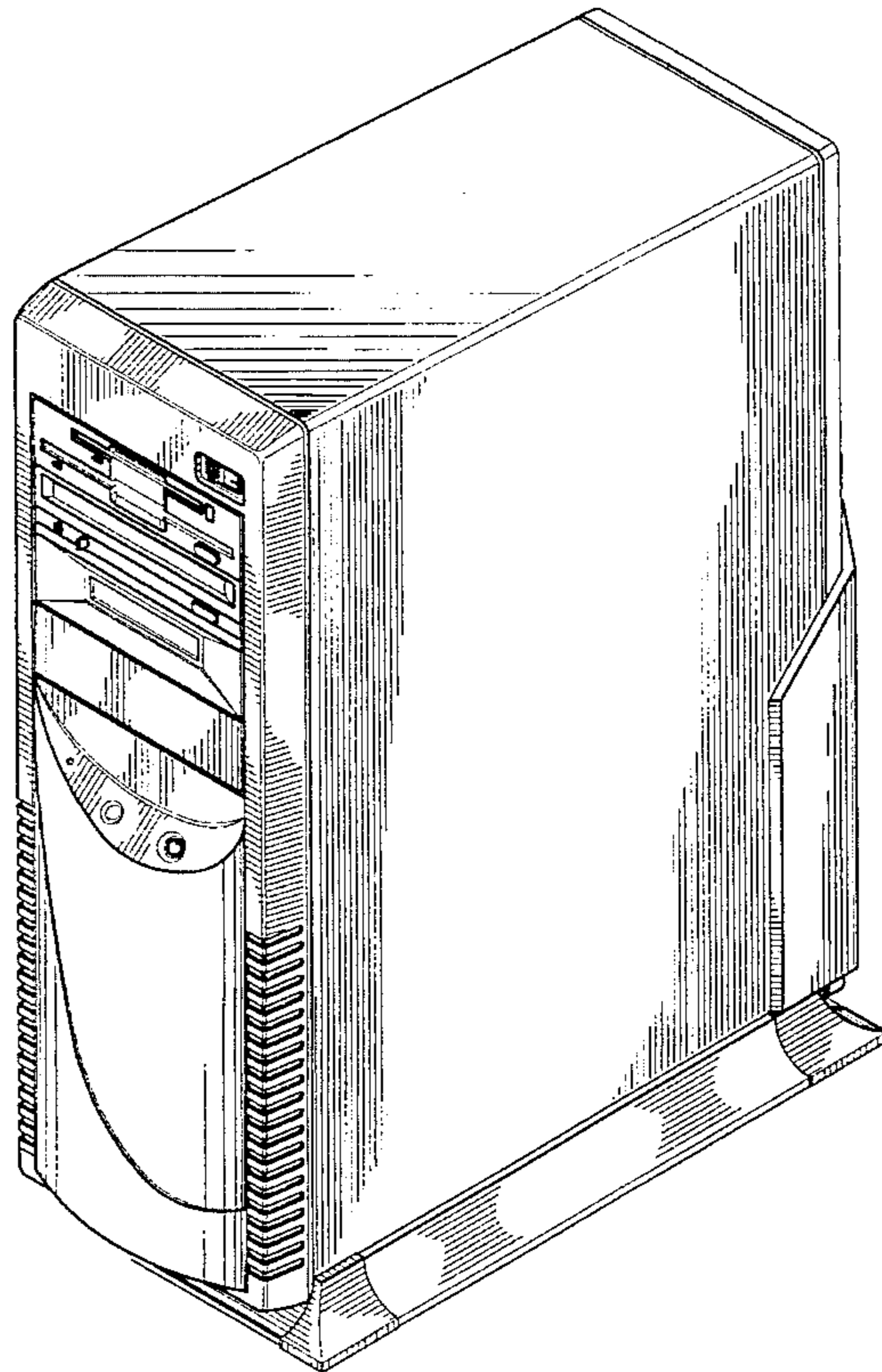


FIG. 1

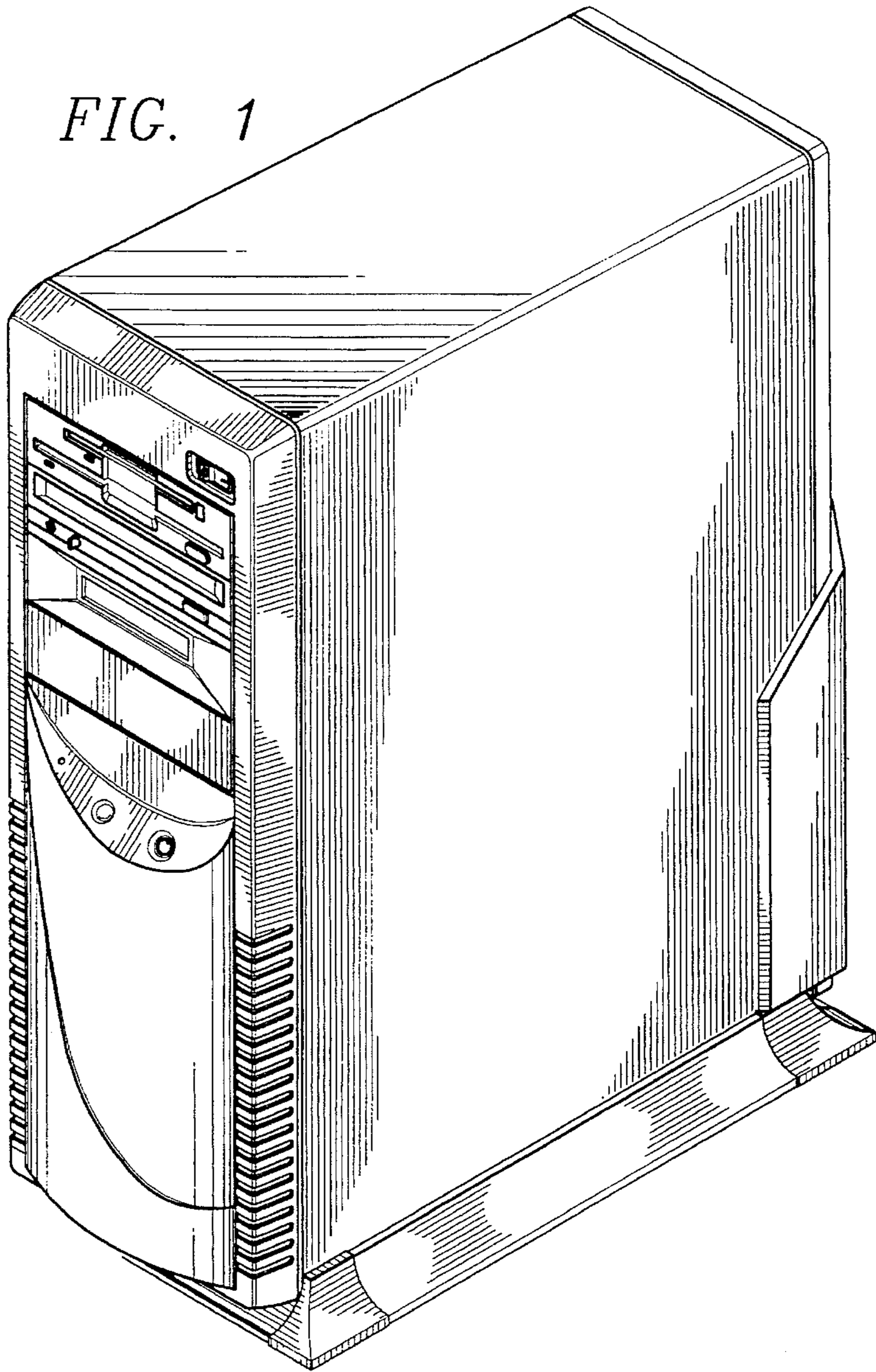
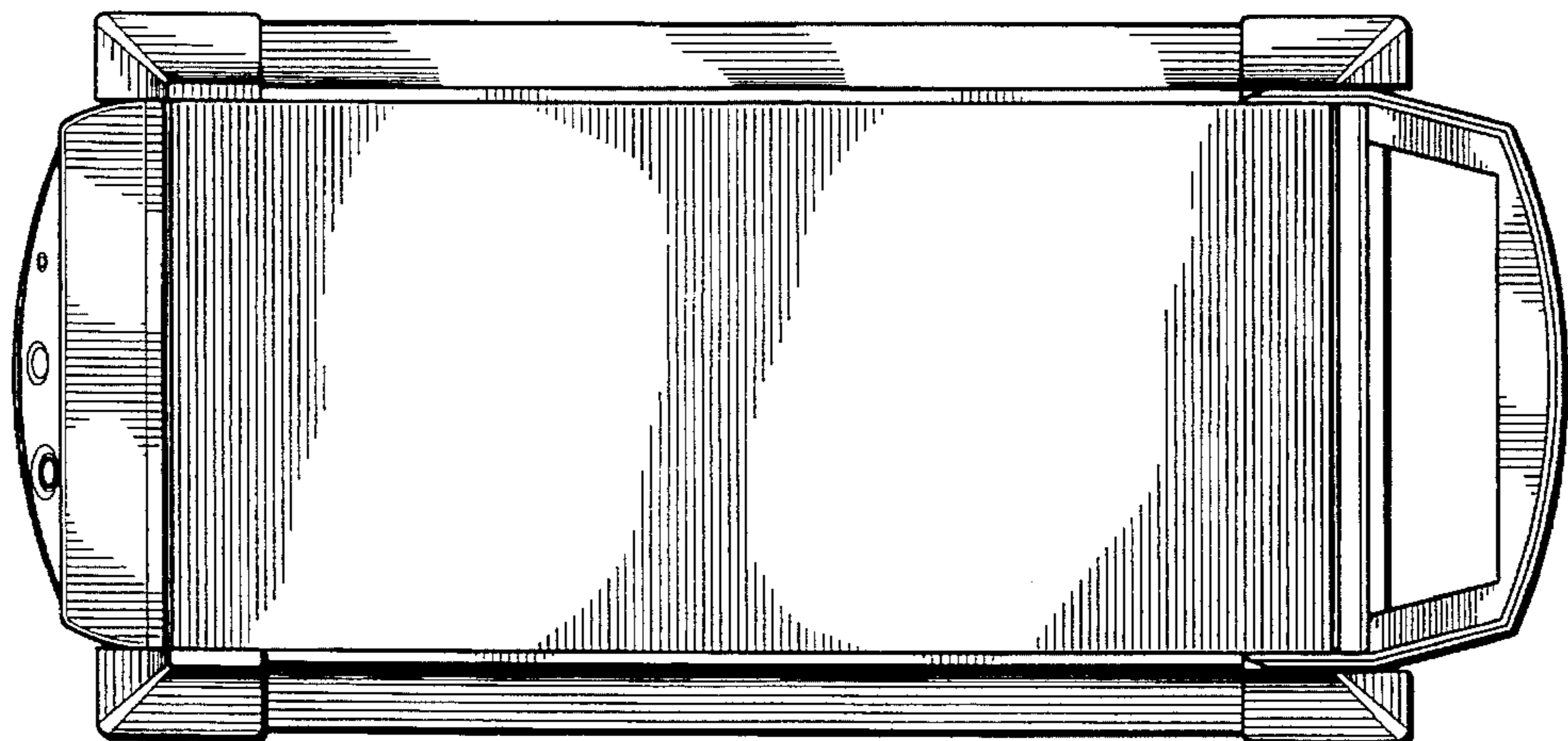


FIG. 6



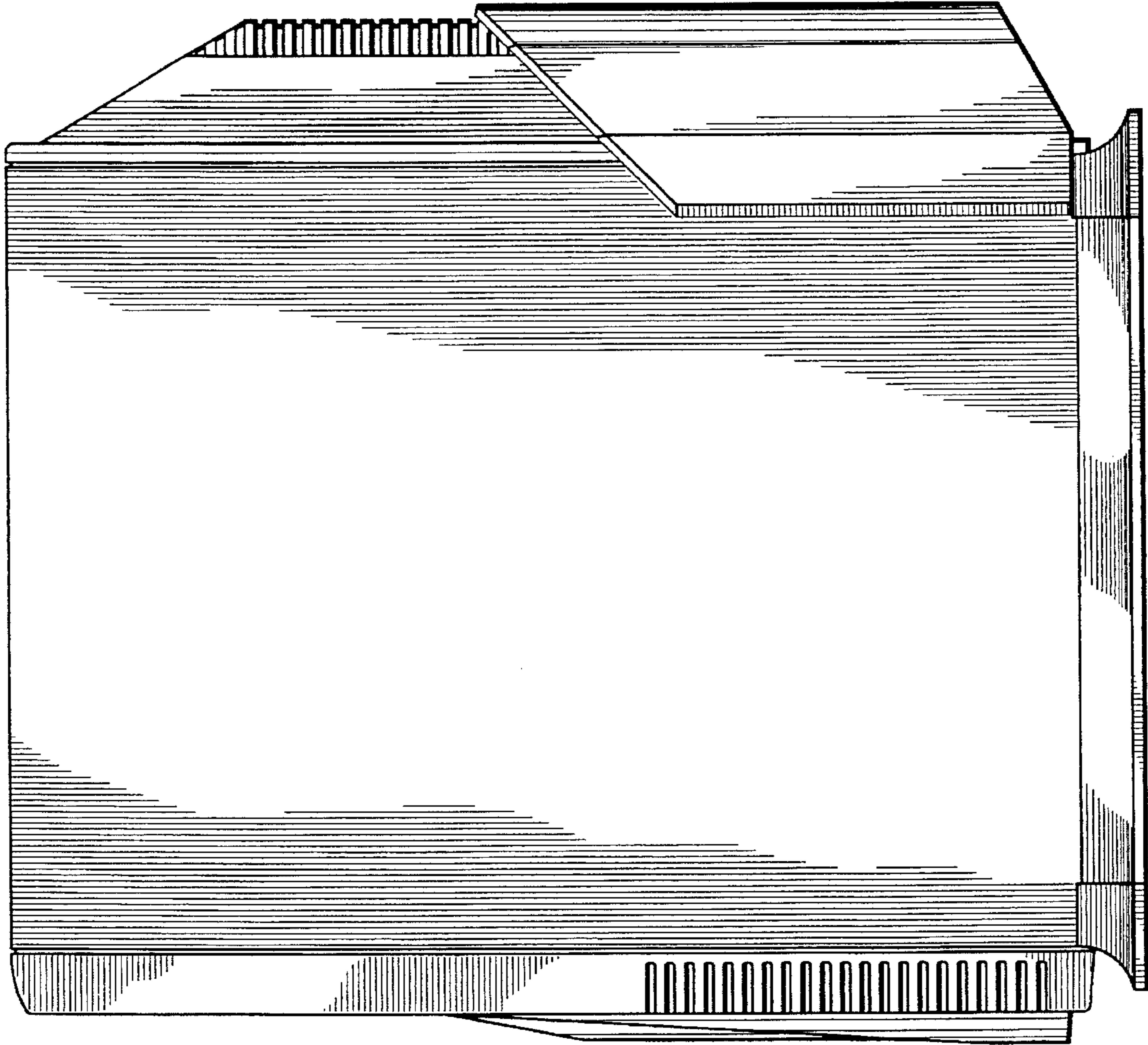


FIG. 3

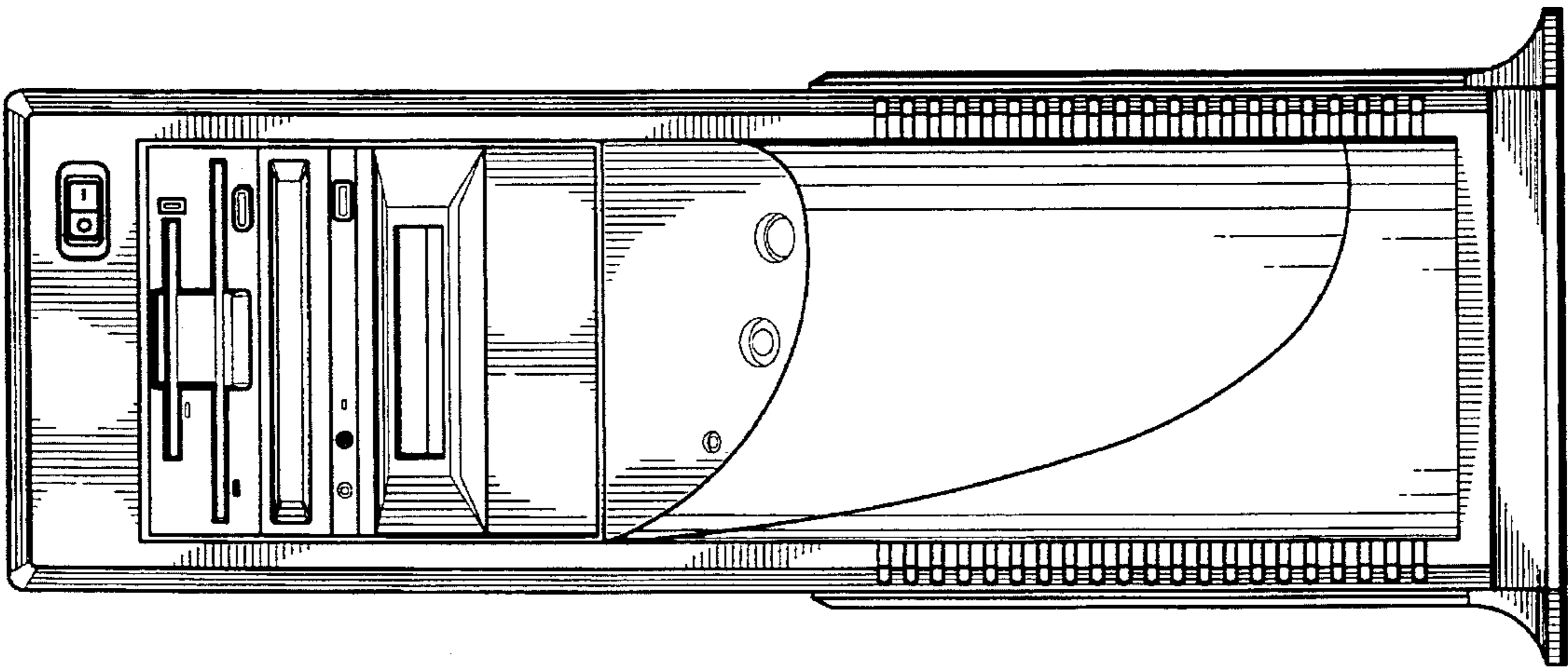


FIG. 2

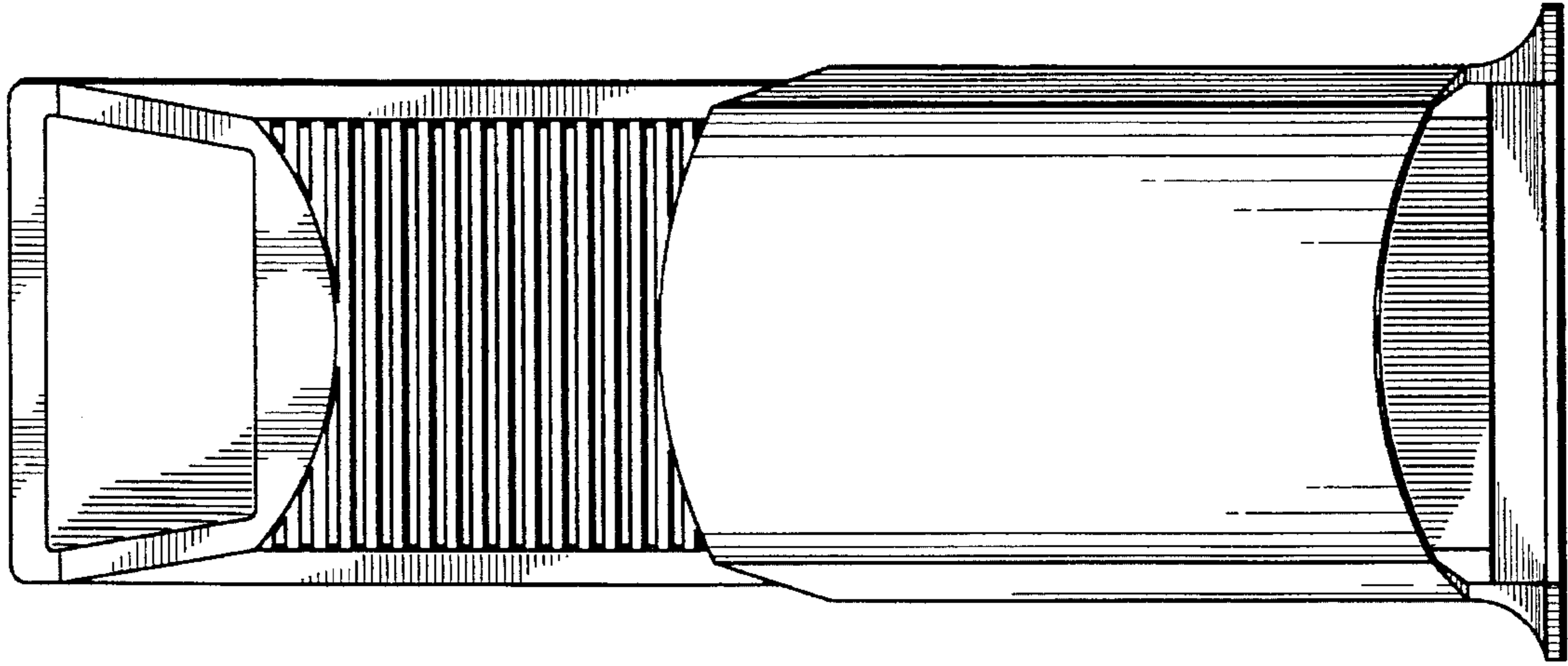


FIG. 5

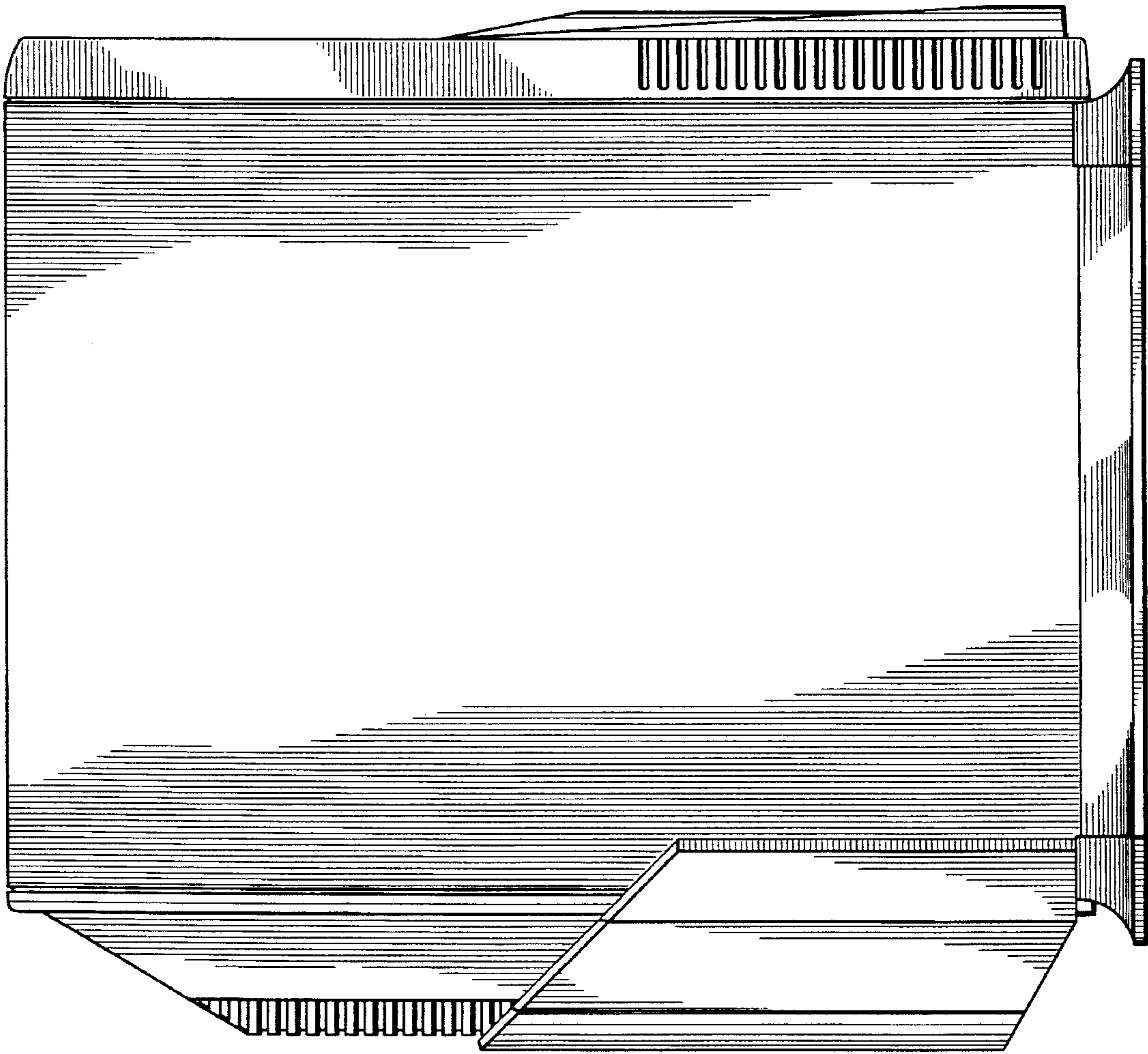


FIG. 4