



US00D366025S

United States Patent [19]

Siemon et al.

[11] Patent Number: **Des. 366,025**

[45] Date of Patent: ****Jan. 9, 1996**

[54] **PANEL YOKE**

[75] Inventors: **John A. Siemon**, Woodbury; **Randall J. Below**, Cheshire, both of Conn.

[73] Assignee: **The Siemon Company**, Watertown, Conn.

[**] Term: **14 Years**

[21] Appl. No.: **26,964**

[22] Filed: **Aug. 10, 1994**

Related U.S. Application Data

[60] Continuation-in-part of Ser. No. 121,167, Sep. 14, 1993, Pat. No. 5,362,254, which is a division of Ser. No. 993,480, Dec. 18, 1992, Pat. No. 5,295,869.

[52] **U.S. Cl.** **D13/154**

[58] **Field of Search** D13/154, 146, D13/147, 133, 177; 439/536, 142, 557; 174/48, 52.1, 59, 65 R, 66

[56] References Cited

U.S. PATENT DOCUMENTS

D. 347,825	6/1994	Zarnowitz et al.	D13/177
4,489,419	12/1984	Wang	174/66 X
4,778,399	10/1988	Schenk	174/48 X
4,922,056	5/1990	Larsson	174/65 R
4,950,840	8/1990	Zetena	174/66
5,186,337	2/1993	Foster et al.	211/26
5,228,869	7/1993	Below	439/536
5,362,254	11/1994	Siemon et al.	439/142 X

FOREIGN PATENT DOCUMENTS

592909 4/1994 European Pat. Off. 174/48

Primary Examiner—Joel Sincavage
Attorney, Agent, or Firm—Fishman, Dionne & Cantor

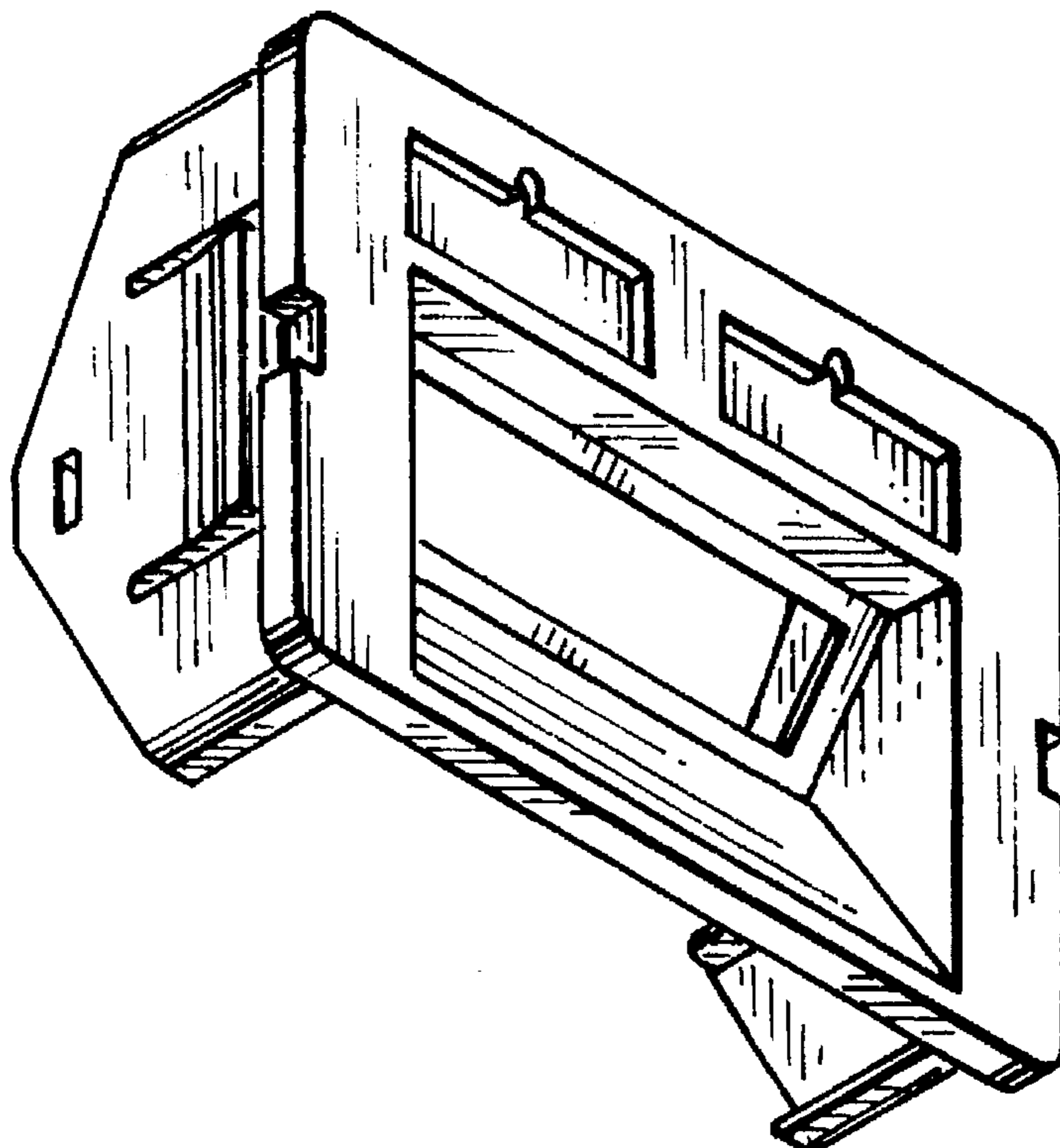
[57] CLAIM

The ornamental design for a panel yoke, as shown and described.

DESCRIPTION

FIG. 1 shows a front elevation view of a first embodiment of our new design;
 FIG. 2 shows a top plan view thereof;
 FIG. 3 shows a bottom plan view thereof;
 FIG. 4 shows a right side elevation view thereof with the left side elevation view thereof being a mirror image of FIG. 4;
 FIG. 5 shows a rear elevation view thereof;
 FIG. 6 shows a front elevation view of a second embodiment of our new design;
 FIG. 7 shows a top plan view thereof;
 FIG. 8 shows a bottom plan view thereof;
 FIG. 9 shows a right side elevation view thereof with the left side elevation view thereof being a mirror image of FIG. 9;
 FIG. 10 shows a rear elevation view thereof;
 FIG. 11 shows a front and lower left perspective view thereof; and,
 FIG. 12 shows a rear and upper right perspective view thereof.

1 Claim, 3 Drawing Sheets



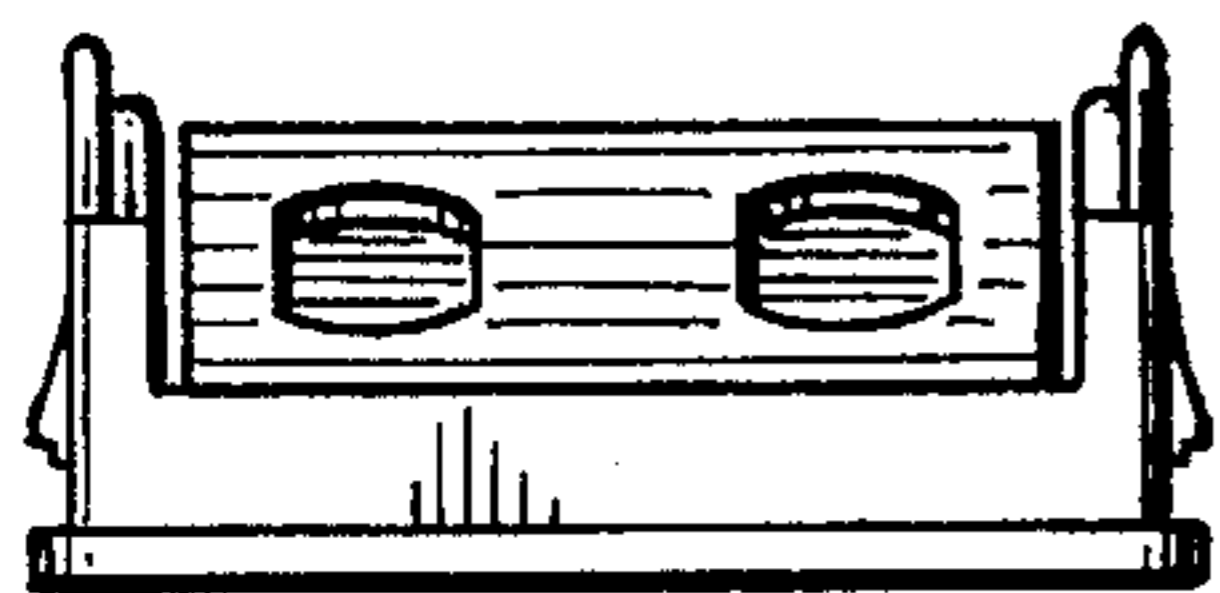


FIG. 2

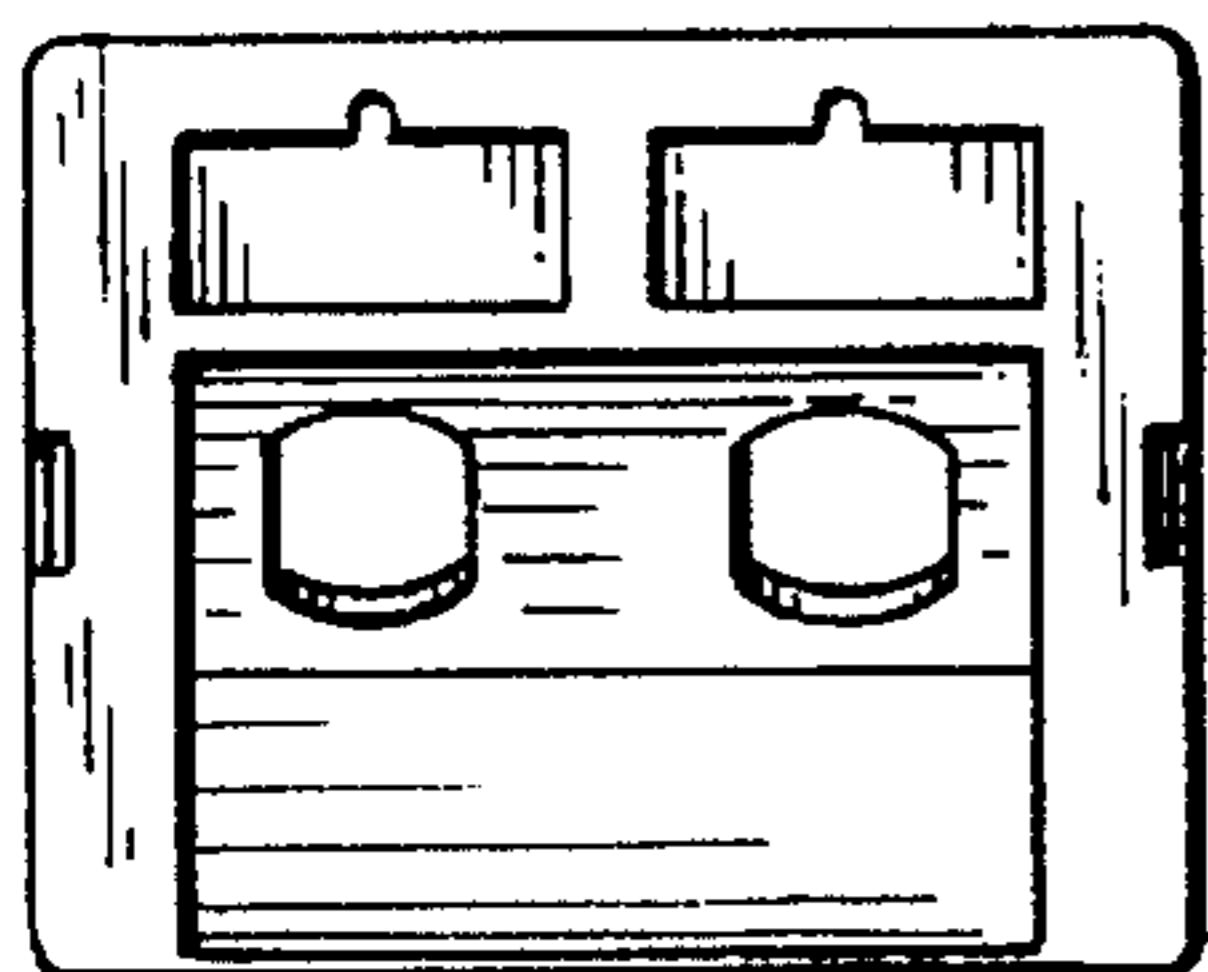


FIG. 1

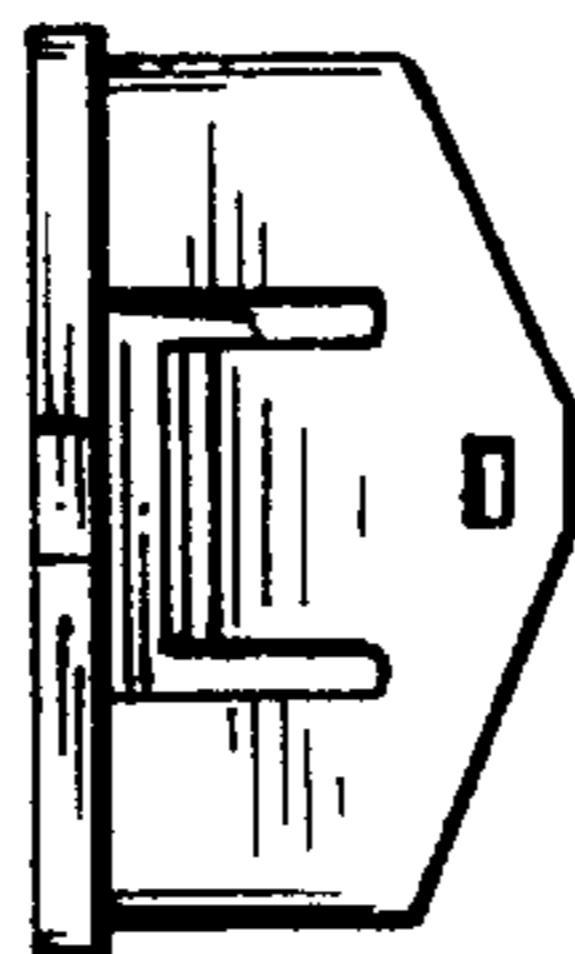


FIG. 4

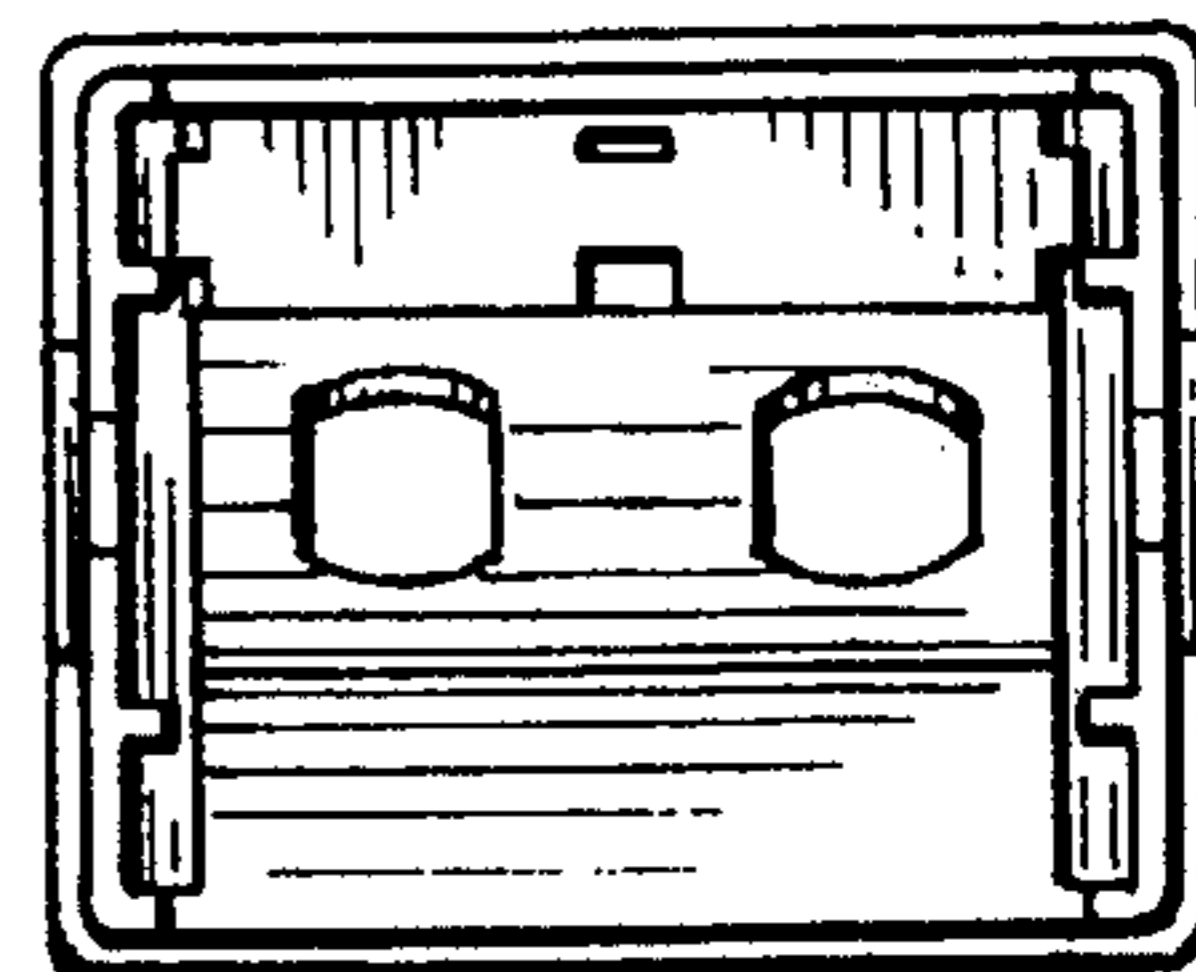


FIG. 5

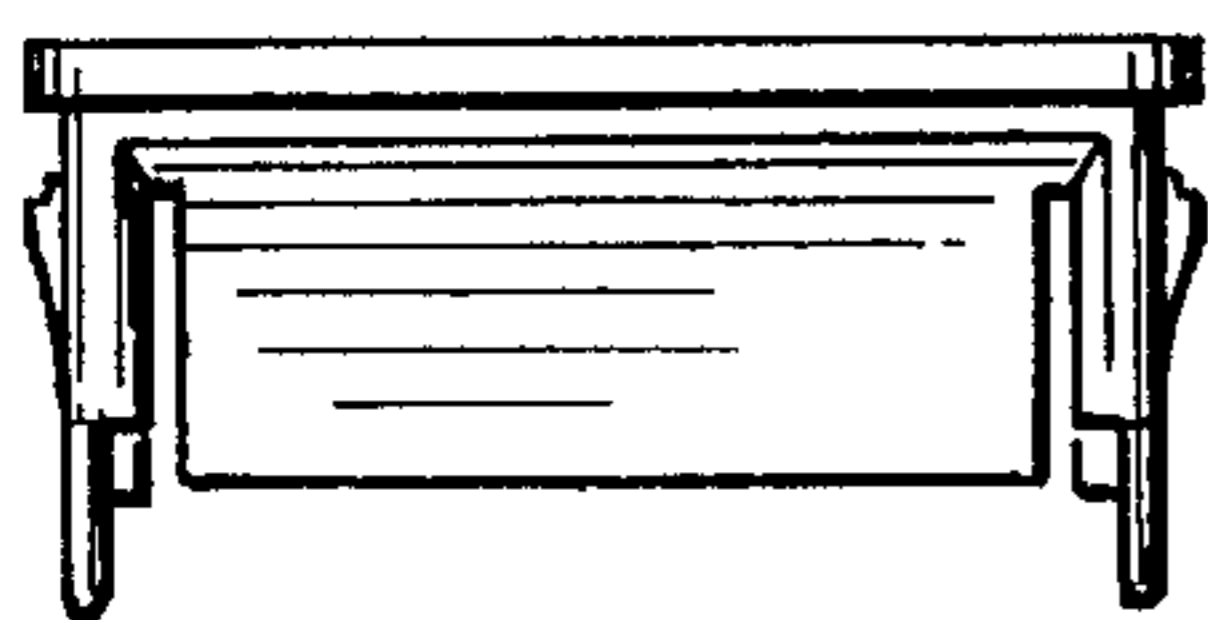


FIG. 3

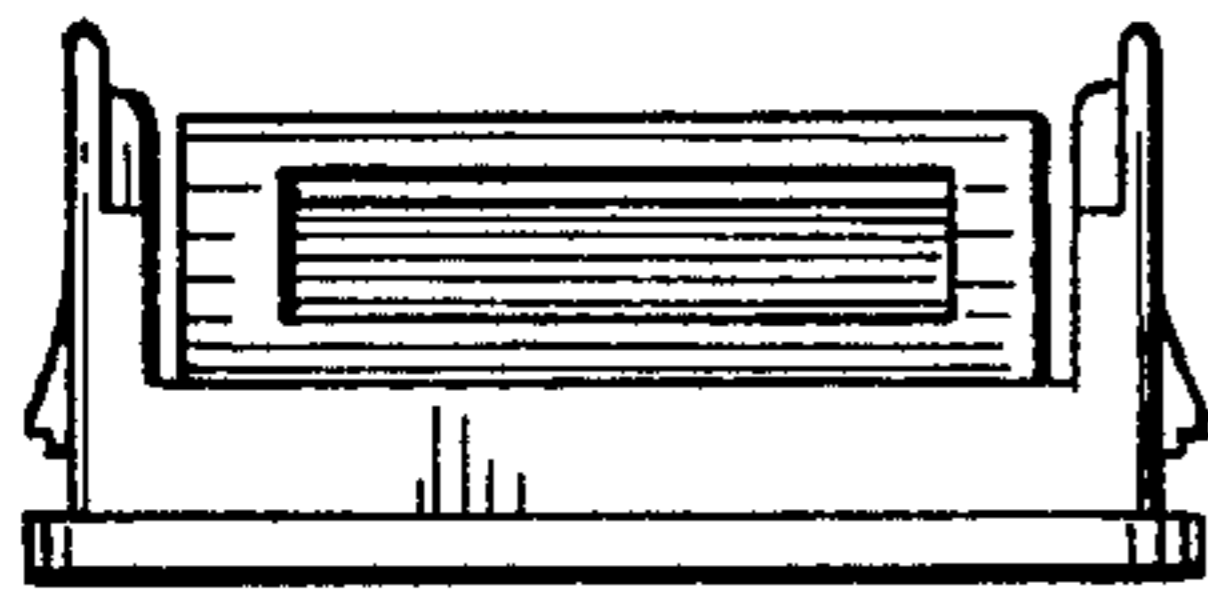


FIG. 7

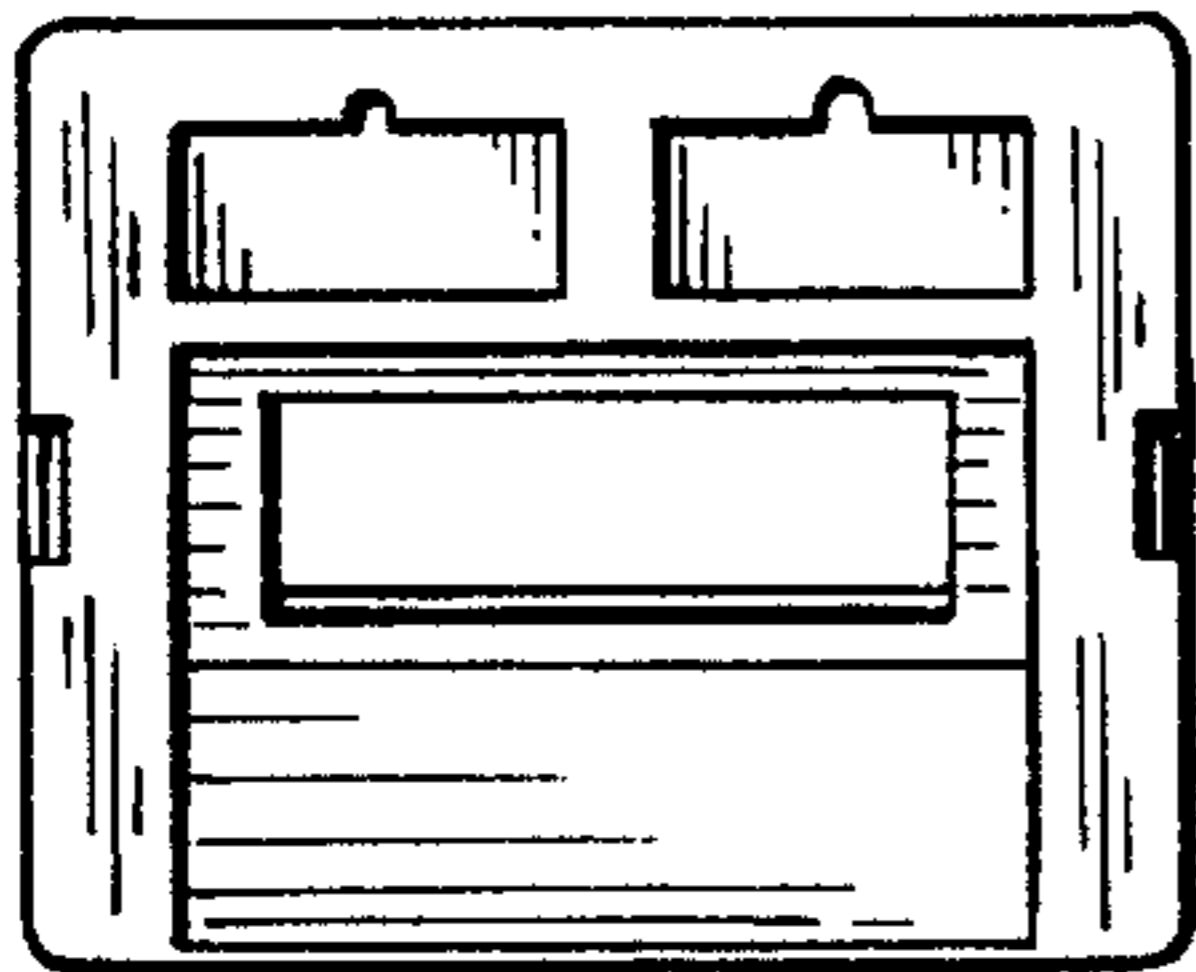


FIG. 6

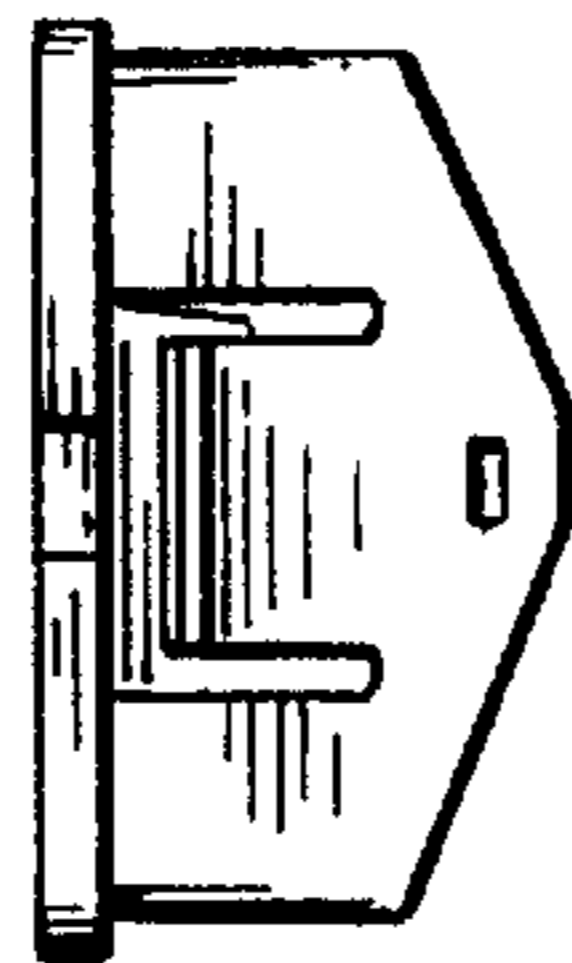


FIG. 9

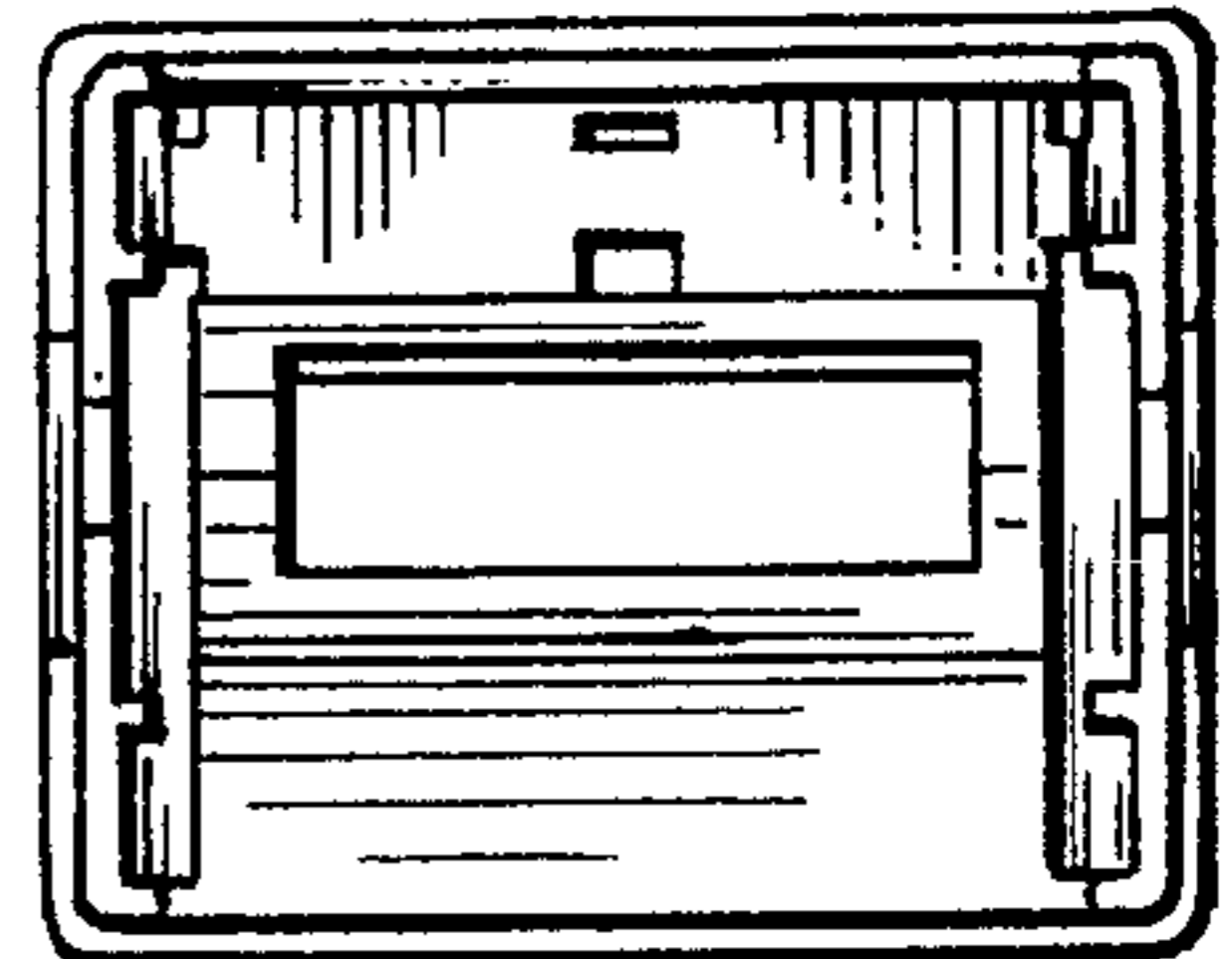


FIG. 10

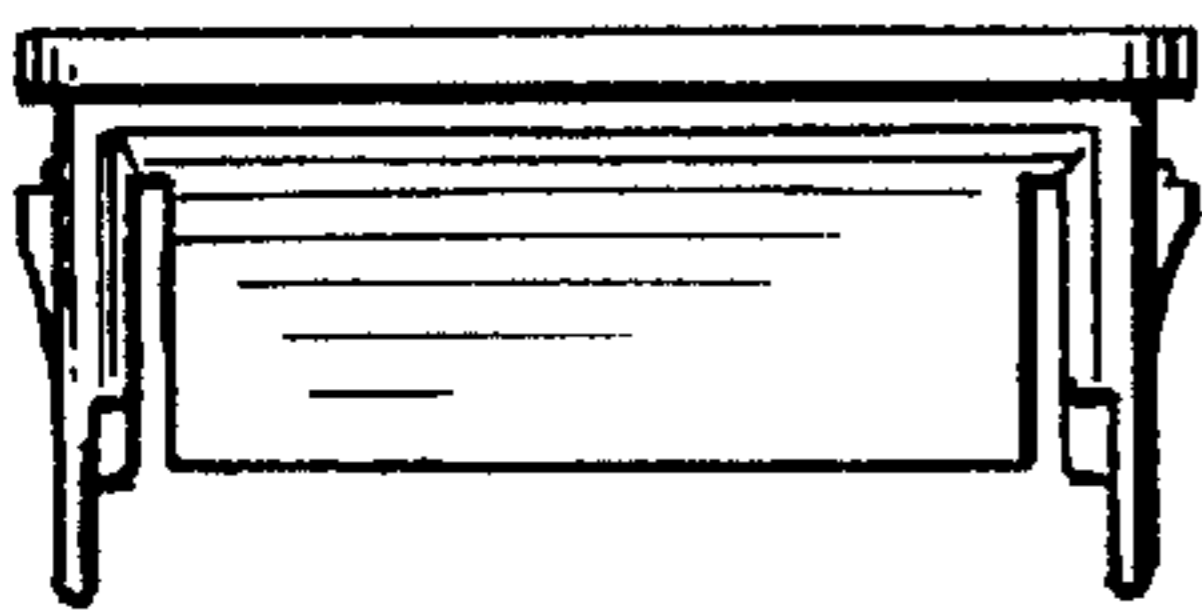


FIG. 8

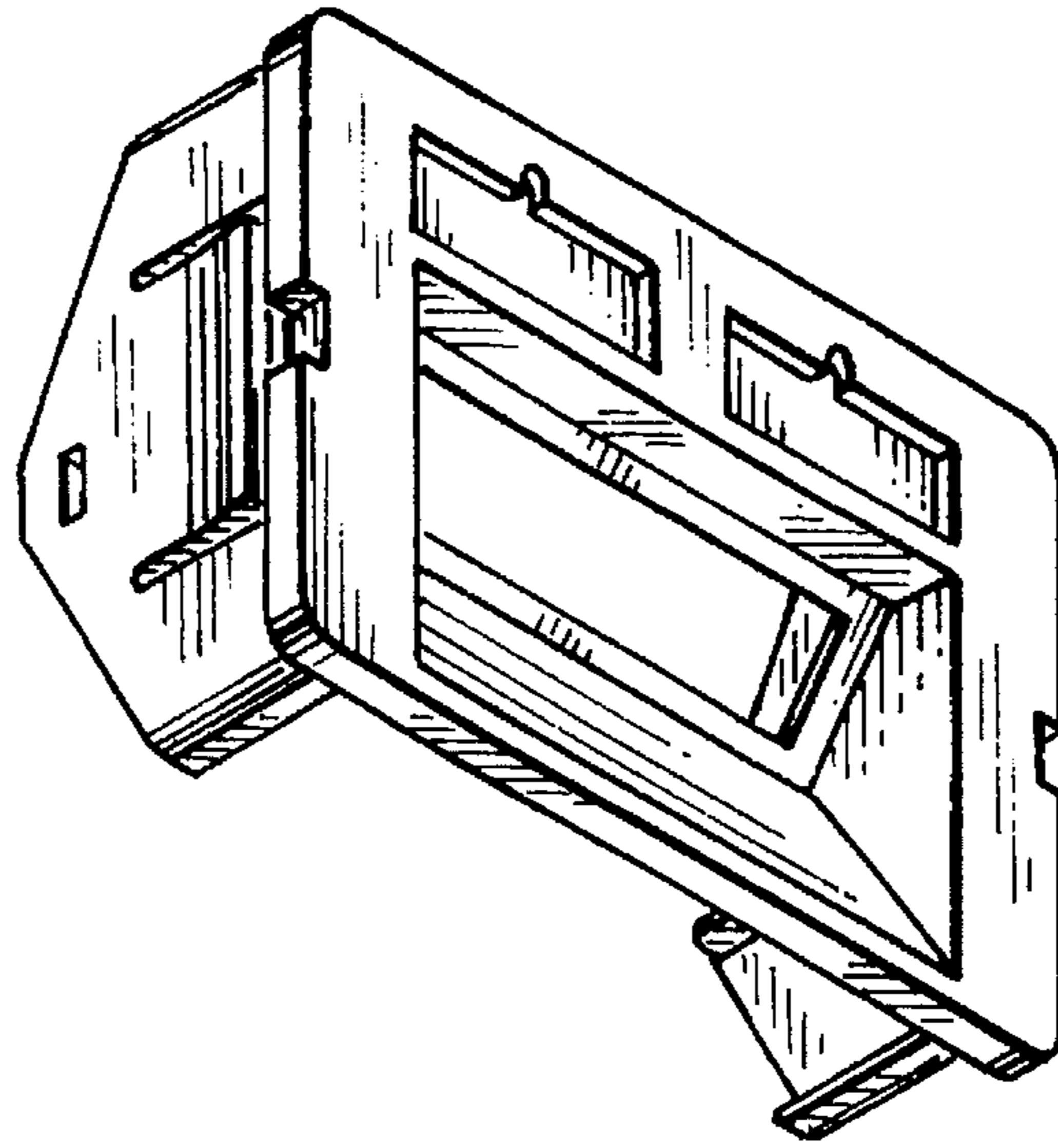


FIG. 11

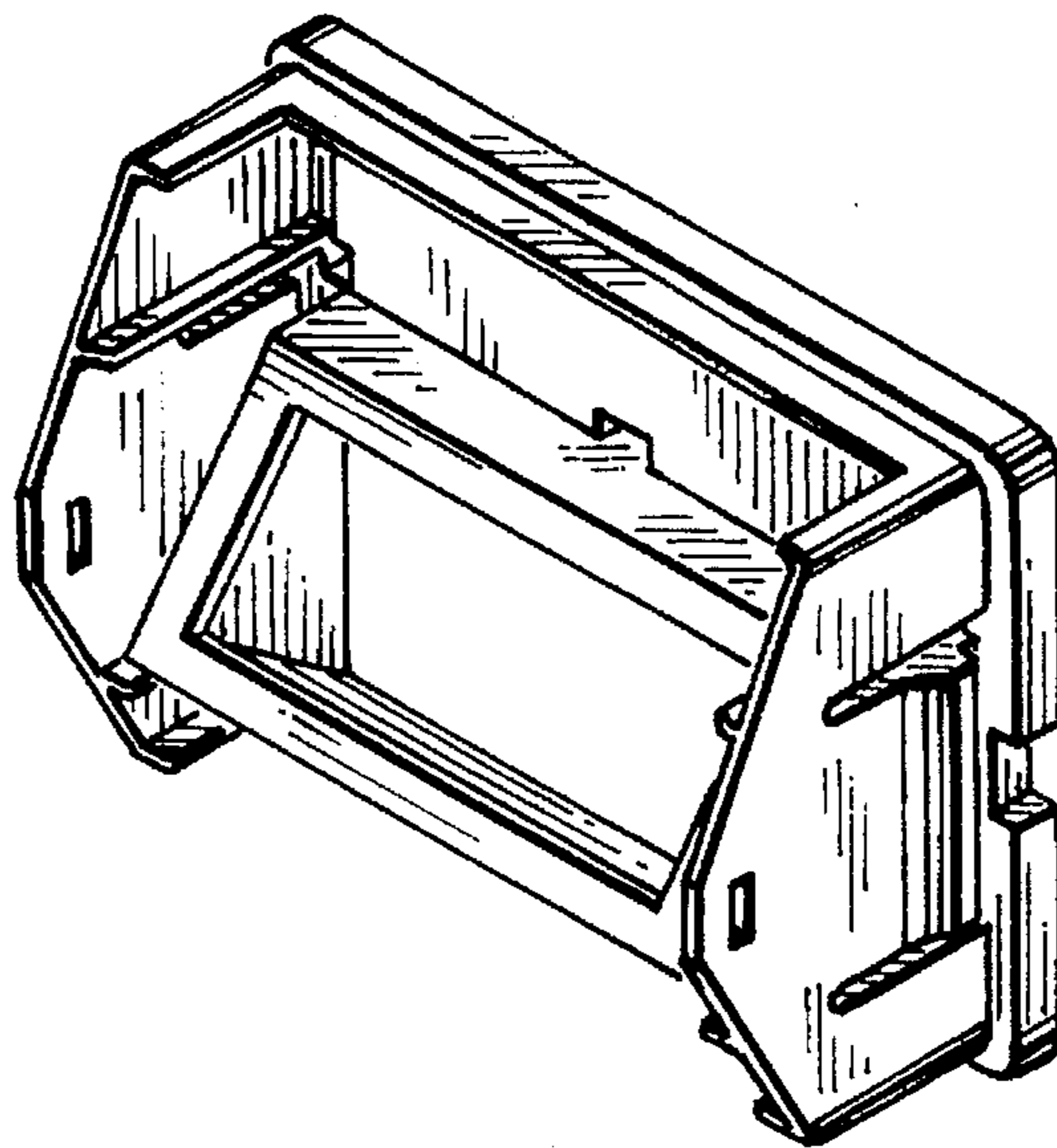


FIG. 12