



US00D366015S

United States Patent [19]
McCormack

[11] **Patent Number: Des. 366,015**
[45] **Date of Patent: **Jan. 9, 1996**

[54] **SET OF BICYCLE BAR ENDS**

[76] Inventor: **Lance McCormack**, P.O. Box 7561,
Trenton, N.J. 08628

[**] Term: **14 Years**

[21] Appl. No.: **33,943**

[22] Filed: **Jan. 24, 1995**

[52] U.S. Cl. **D12/114**

[58] Field of Search D12/178, 114,
D12/111; 74/551.1, 551.8, 551.9

[56] **References Cited**

U.S. PATENT DOCUMENTS

D. 340,432 10/1993 Osborne D12/114

OTHER PUBLICATIONS

Bike Nashbar, Spring 1994, p. 33, the Control Tech Bar Ends (E & F).

Performance Bicycle Shop, 1993 p. 49, the Onza RCR & OZ Bar Ends.

Mountain Bike Action Accessories Guide/Spring 1994 (6 pages) 60, 62-66.

Primary Examiner—A. Hugo Word

Assistant Examiner—M. Brown

Attorney, Agent, or Firm—Mathews, Woodbridge & Collins

[57] **CLAIM**

The ornamental design for a set of bicycle bar ends, as shown and described.

DESCRIPTION

FIG. 1 is a front perspective view of a set of bicycle bar ends showing my new design, the bicycle handle bar shown in broken lines are for illustrative purposes only and form no part of the claimed design;

FIG. 2 is a front elevational view of the bar ends;

FIG. 3 is a rear elevational view of the bar ends;

FIG. 4 is a right side view of the right bar end;

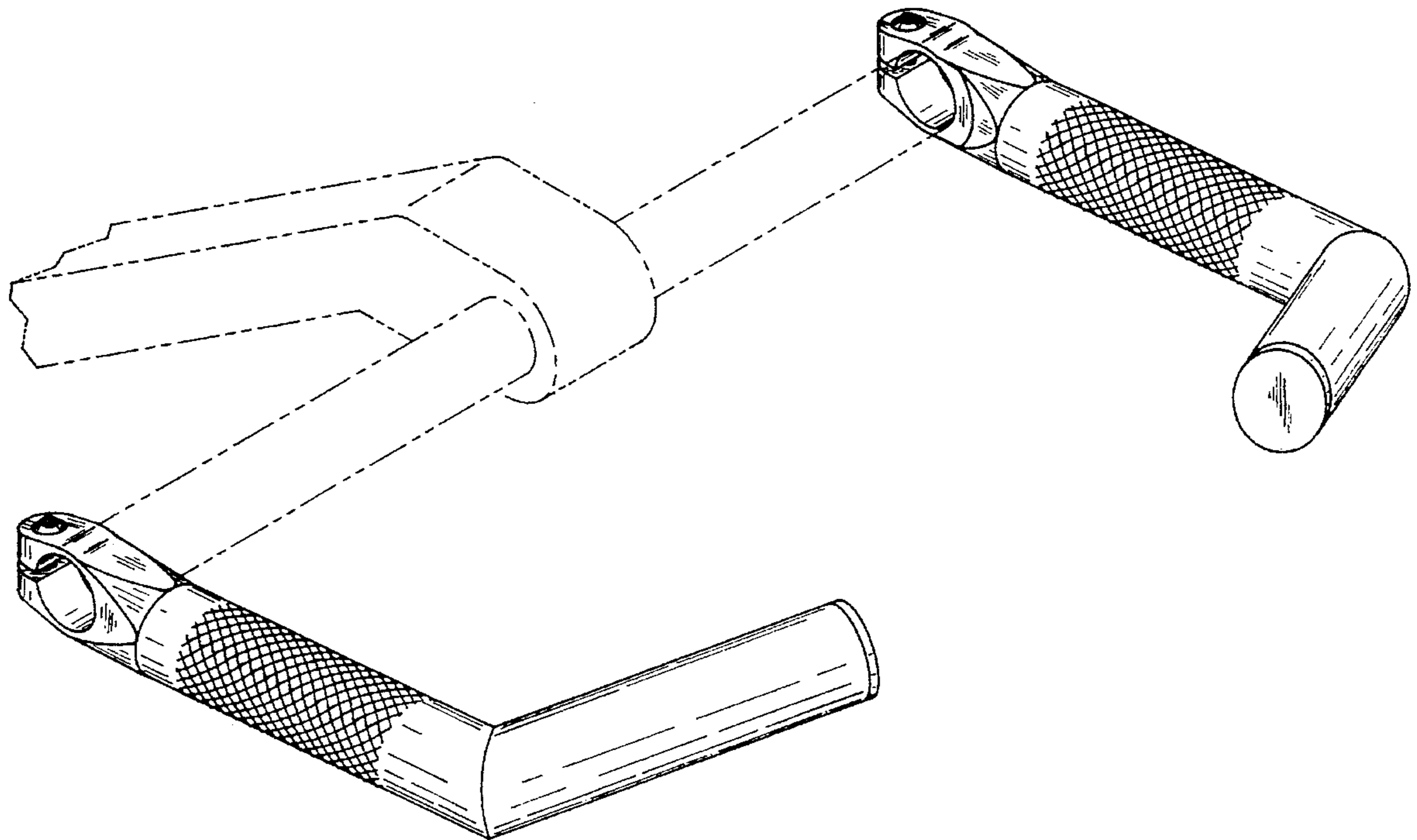
FIG. 5 is a right side view of the left bar end;

FIG. 6 is a top view of the bar ends;

FIG. 7 is a bottom view of the bar ends; and,

FIG. 8 is an enlarged detailed fragmentary perspective view of the opening in the right side bar end.

1 Claim, 3 Drawing Sheets



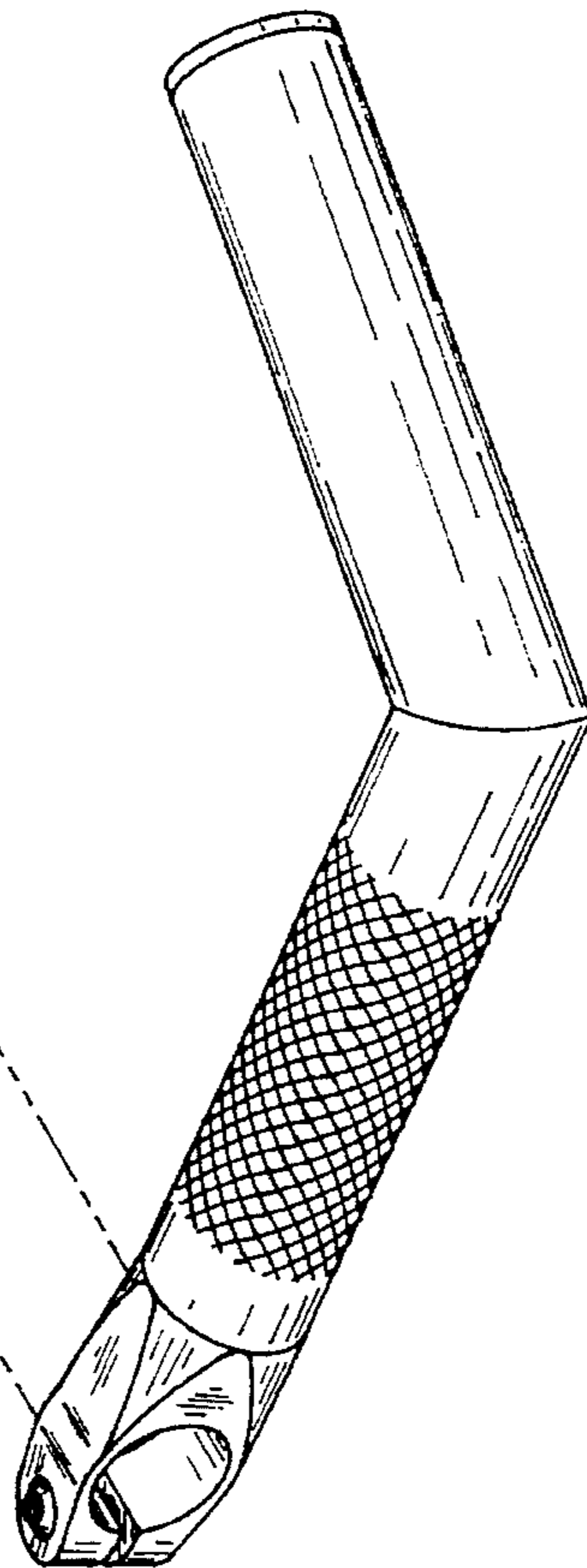
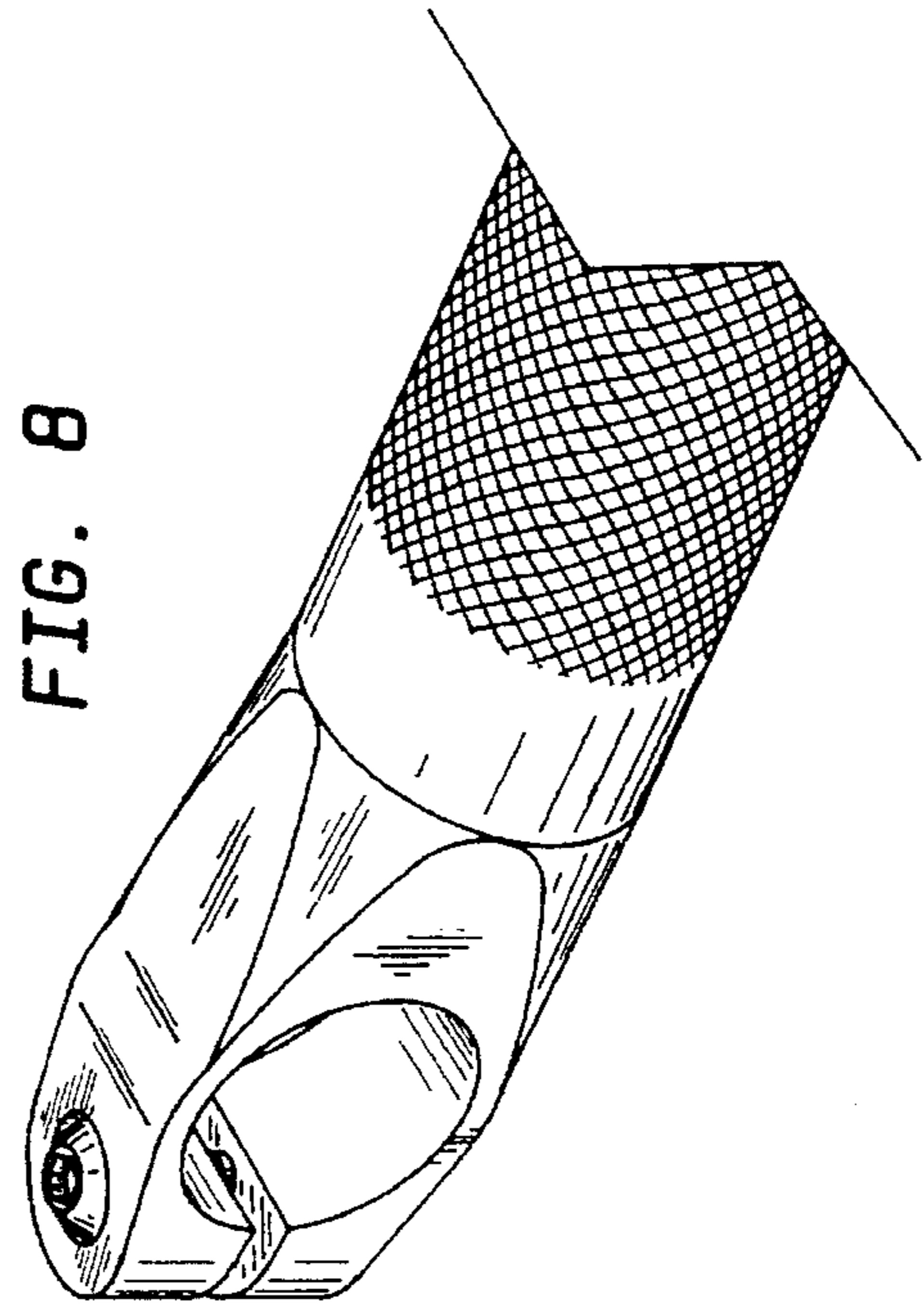
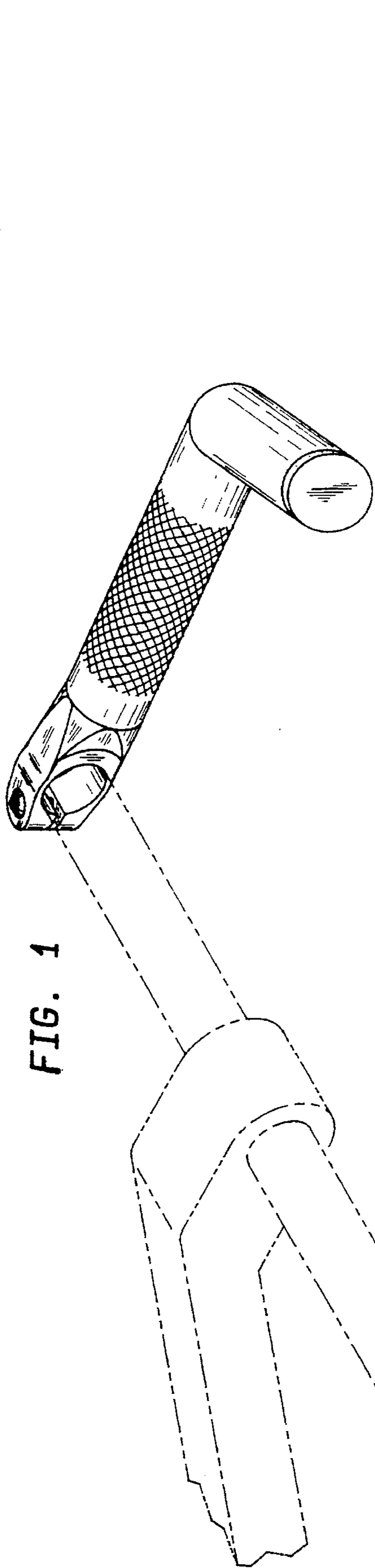


FIG. 2

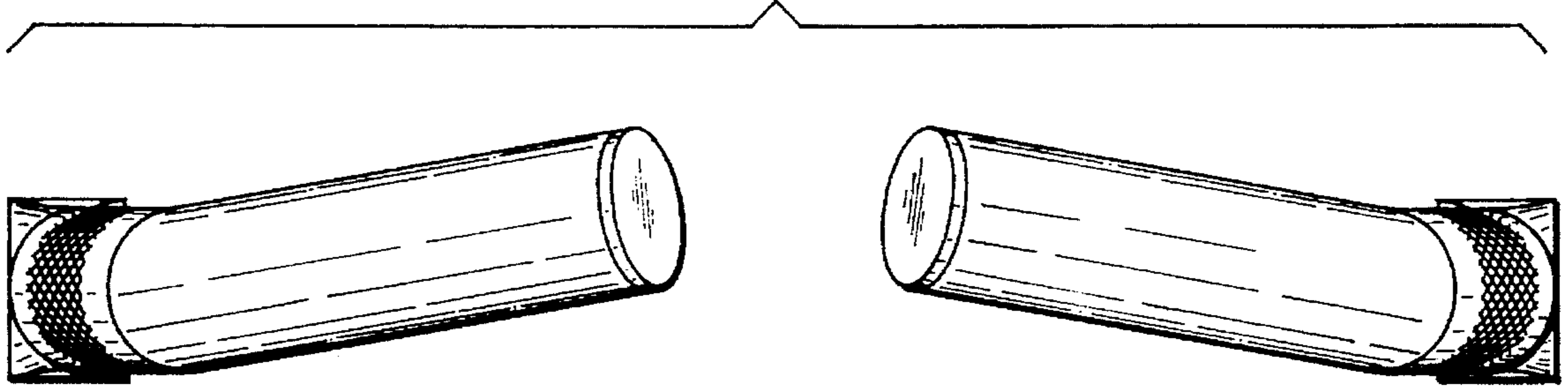


FIG. 3

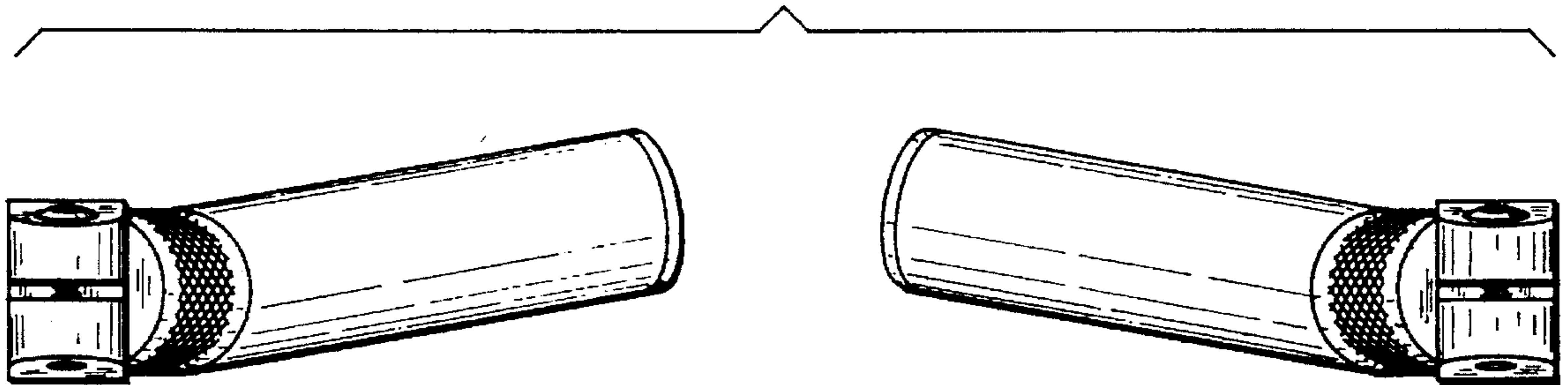


FIG. 4

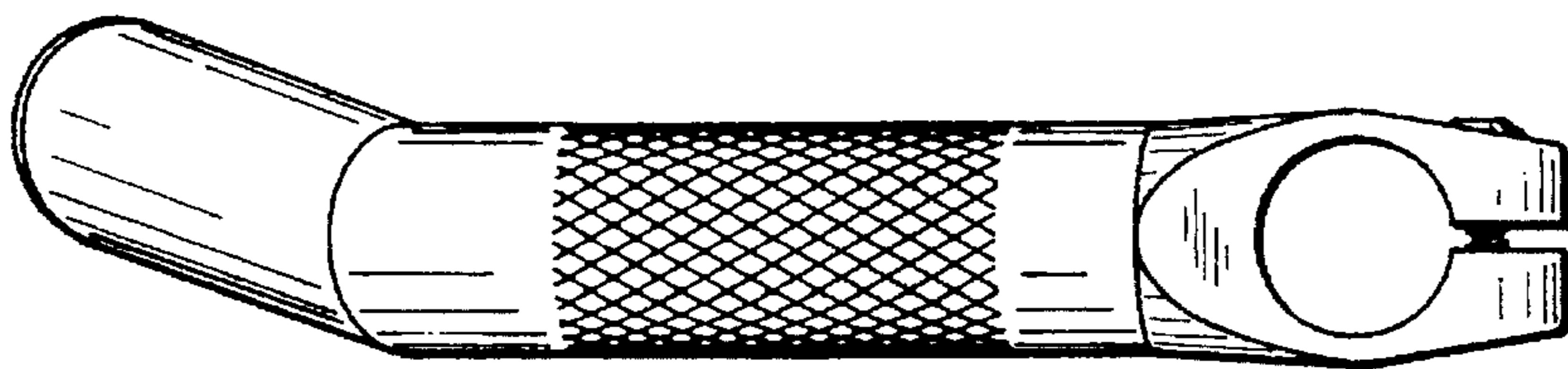


FIG. 5

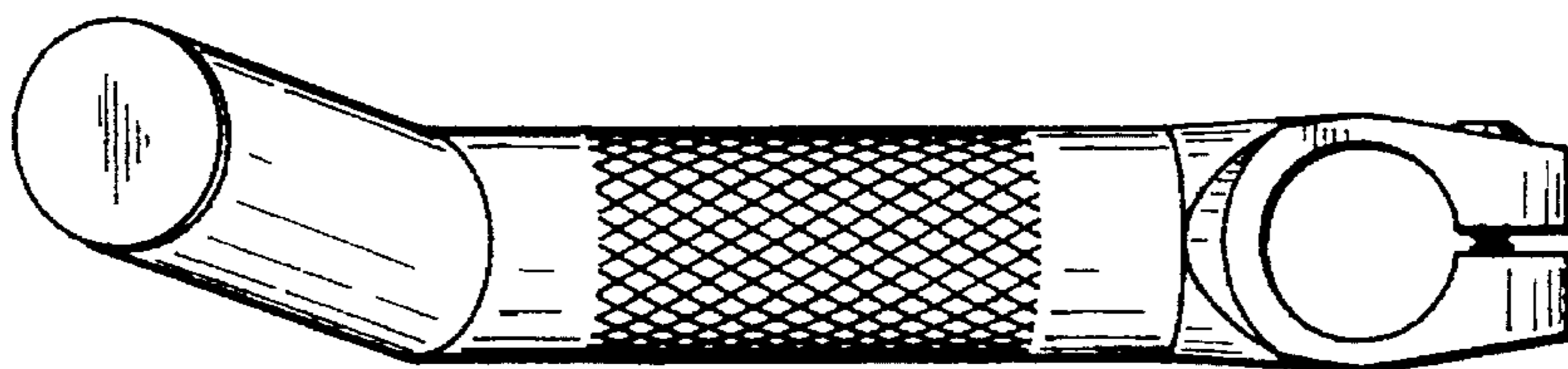


FIG. 6

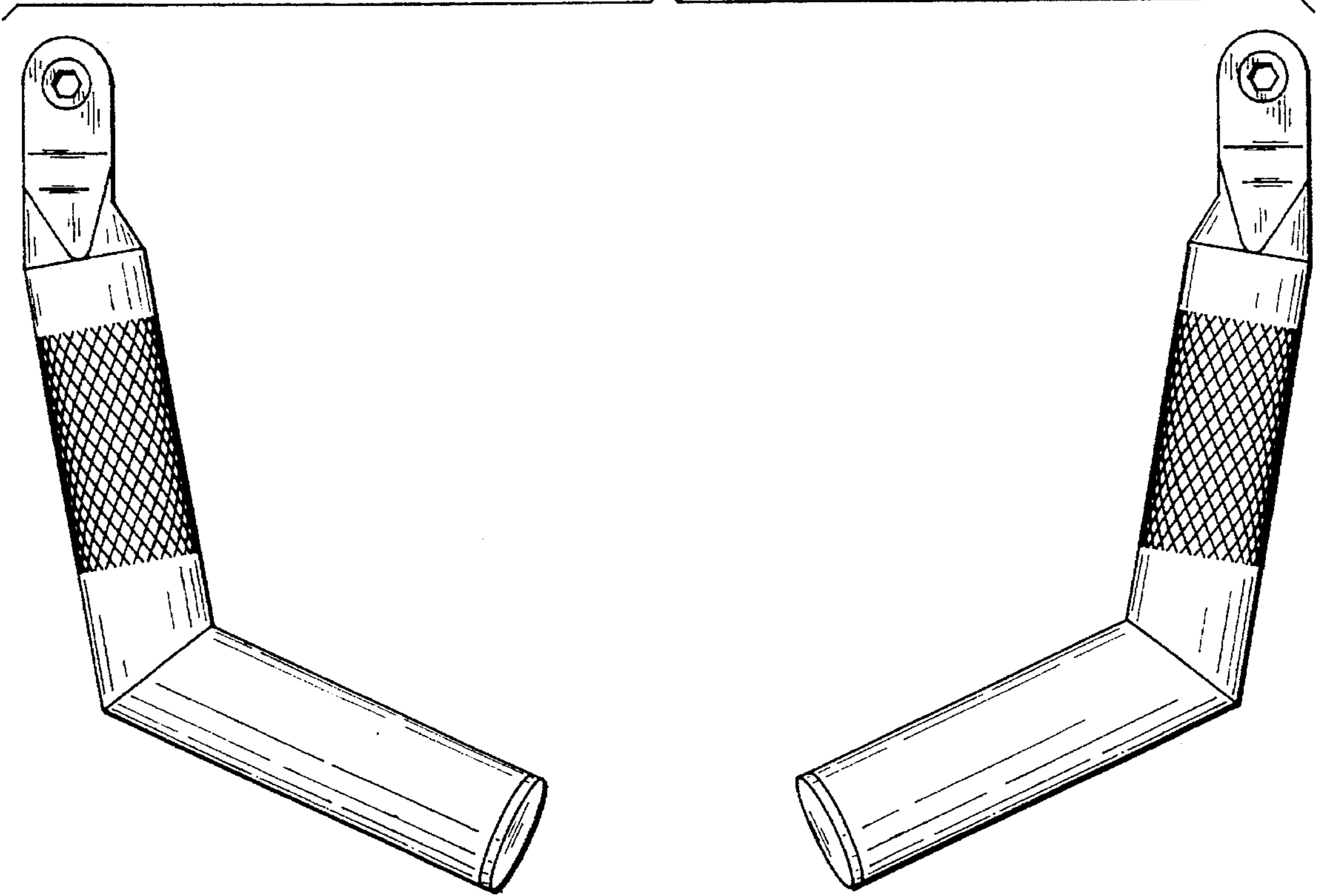


FIG. 7

