



US00D366014S

United States Patent [19]

[11] Patent Number: **Des. 366,014**

Lindquist et al.

[45] Date of Patent: ****Jan. 9, 1996**

[54] **SNOWMOBILE SKI**

[76] Inventors: **David T. Lindquist**, 19 E. 1110 South, Kaysville, Utah 84037; **Ryan B. Packard**, 1418 Maple Hills Dr., Bountiful, Utah 84010

[**] Term: **14 Years**

[21] Appl. No.: **38,879**

[22] Filed: **May 12, 1995**

[52] U.S. Cl. **D12/7**

[58] Field of Search D12/7; 280/12.1, 280/13, 22, 28, 607; 180/180-184, 190

4,105,217 8/1978 Metelow et al. 280/28
 4,108,453 8/1978 Lavalier 280/28
 4,180,275 12/1979 Montoya 280/28
 4,194,753 3/1980 Schushuhn, Jr. 280/13
 4,221,394 9/1980 Campbell 280/12.1
 4,305,603 12/1981 Miller et al. 280/607
 4,413,832 11/1983 Pendleton 280/12.1
 4,491,333 1/1985 Wamke 280/28
 4,595,211 6/1986 Fitzpatrick 280/28
 4,778,190 10/1988 Meredith 280/13
 5,141,243 8/1992 Meatto 280/602
 5,145,201 9/1992 Metheny 280/609
 5,165,709 11/1992 Jacques 280/28
 5,344,168 9/1994 Olson et al. 280/28

[56] References Cited

U.S. PATENT DOCUMENTS

D. 255,893 7/1980 Fritz D12/7
 D. 256,224 8/1980 Fritz 280/28
 3,321,211 5/1967 Bryant et al. 280/13
 3,643,979 2/1972 Richards 280/28
 3,675,939 7/1972 Vik 280/28
 3,732,939 5/1973 Samson 280/28
 3,774,926 11/1973 Chase 280/13
 3,778,074 12/1973 Kozlow 280/28
 3,844,367 10/1974 Flohr 280/28
 3,850,440 11/1974 Reedy et al. 280/28
 3,866,933 2/1975 Mollring 280/28
 3,871,675 3/1975 Lund 280/28
 3,897,839 8/1975 Brisebois 180/190
 3,942,812 3/1976 Kozlow 280/28
 4,077,639 3/1978 Reedy 280/28

Primary Examiner—A. Hugo Word
Assistant Examiner—M. Brown
Attorney, Agent, or Firm—Workman, Nydegger & Seeley

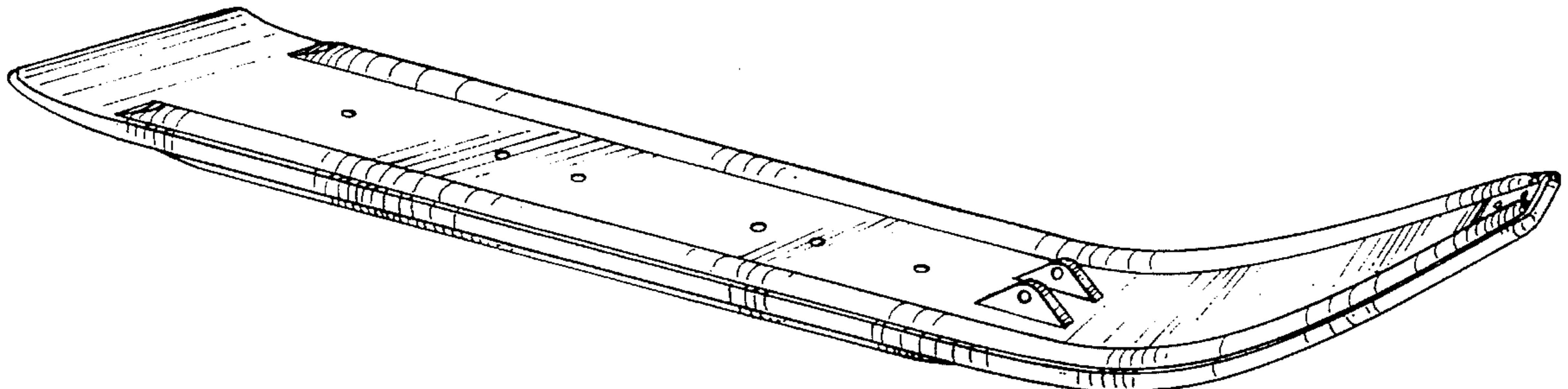
[57] CLAIM

The ornamental design for a snowmobile ski, as shown and described.

DESCRIPTION

FIG. 1 is a perspective view of a snowmobile ski showing our design;
 FIG. 2 is a top plan view thereof;
 FIG. 3 is a side elevational view thereof;
 FIG. 4 is a bottom plan view thereof;
 FIG. 5 is a front end elevational view thereof; and,
 FIG. 6 is a rear end elevational view thereof.

1 Claim, 3 Drawing Sheets



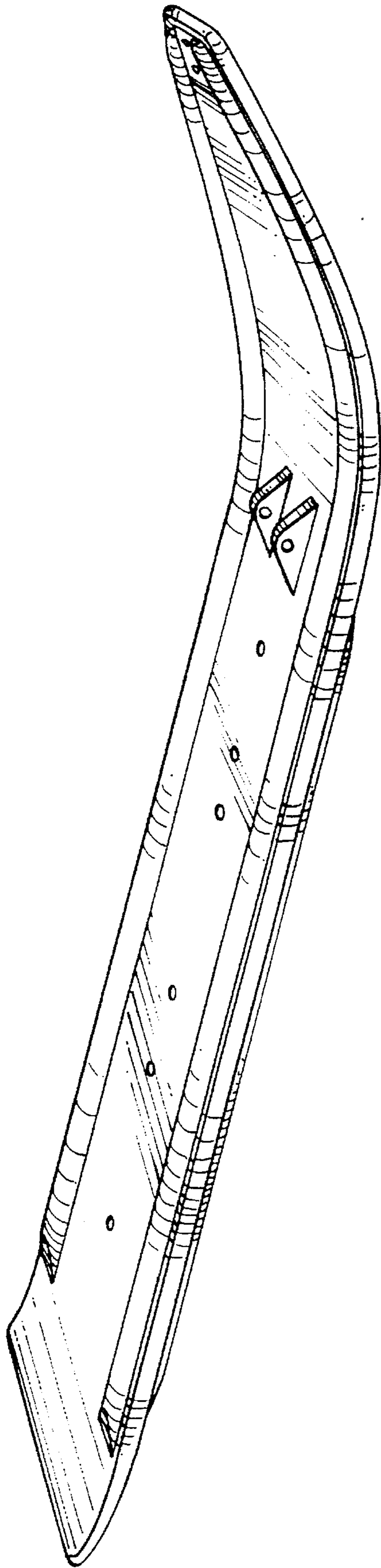


FIG. 1

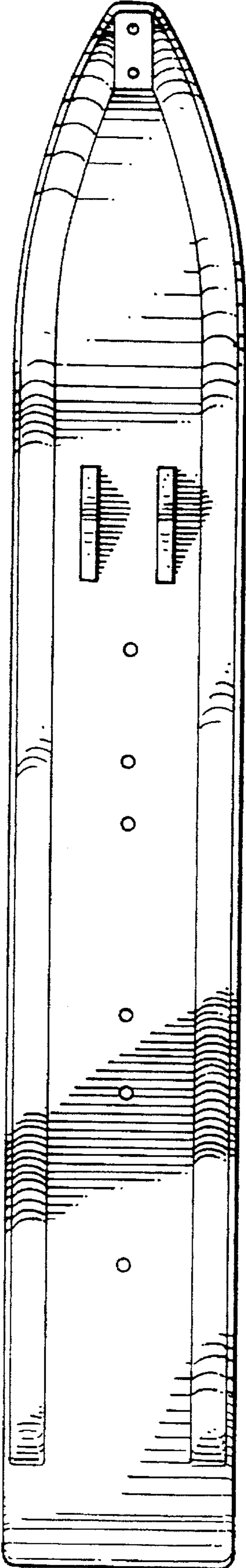


FIG. 2

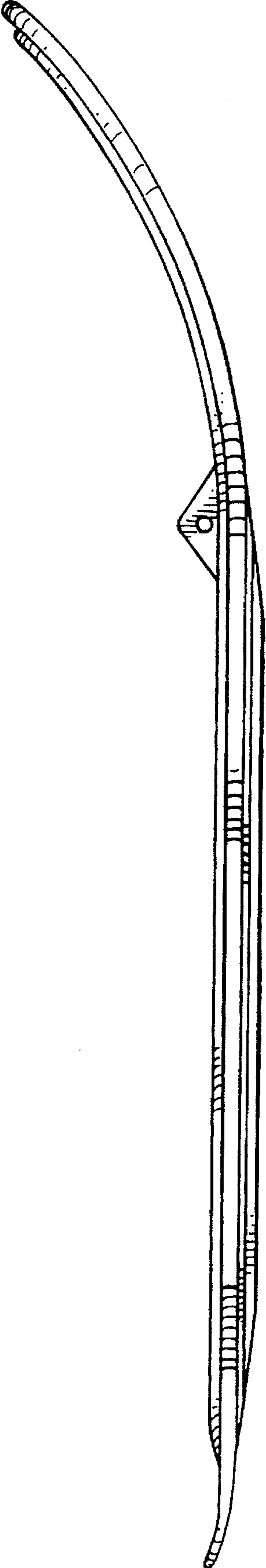


FIG. 3

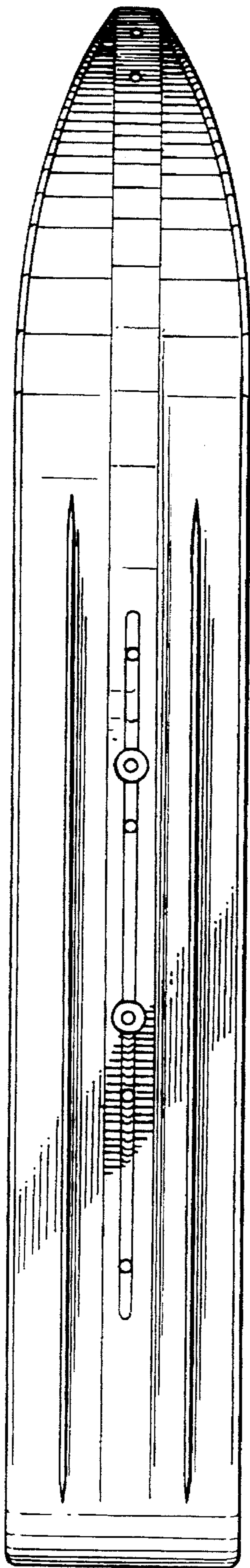


FIG. 4

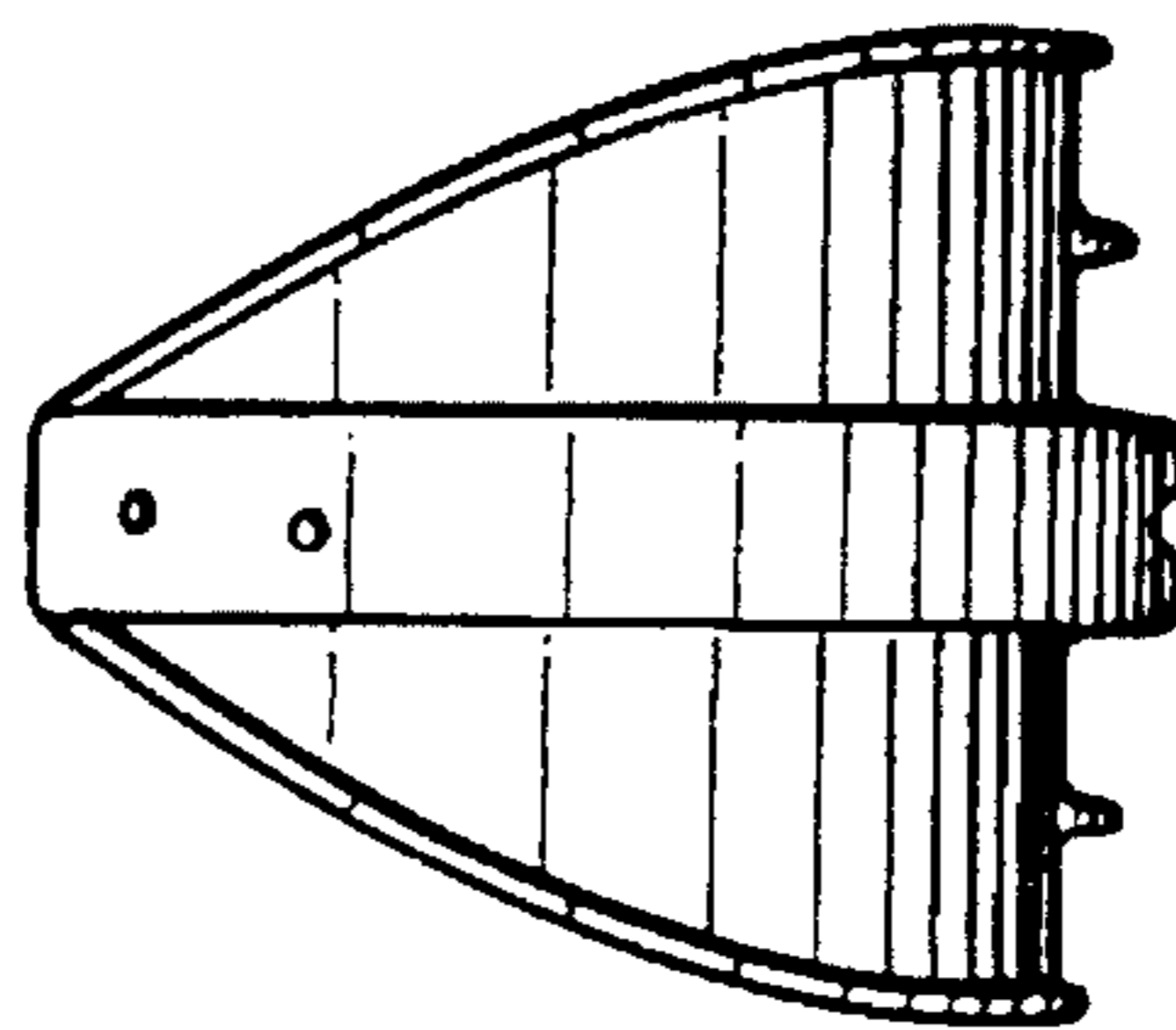


FIG. 5

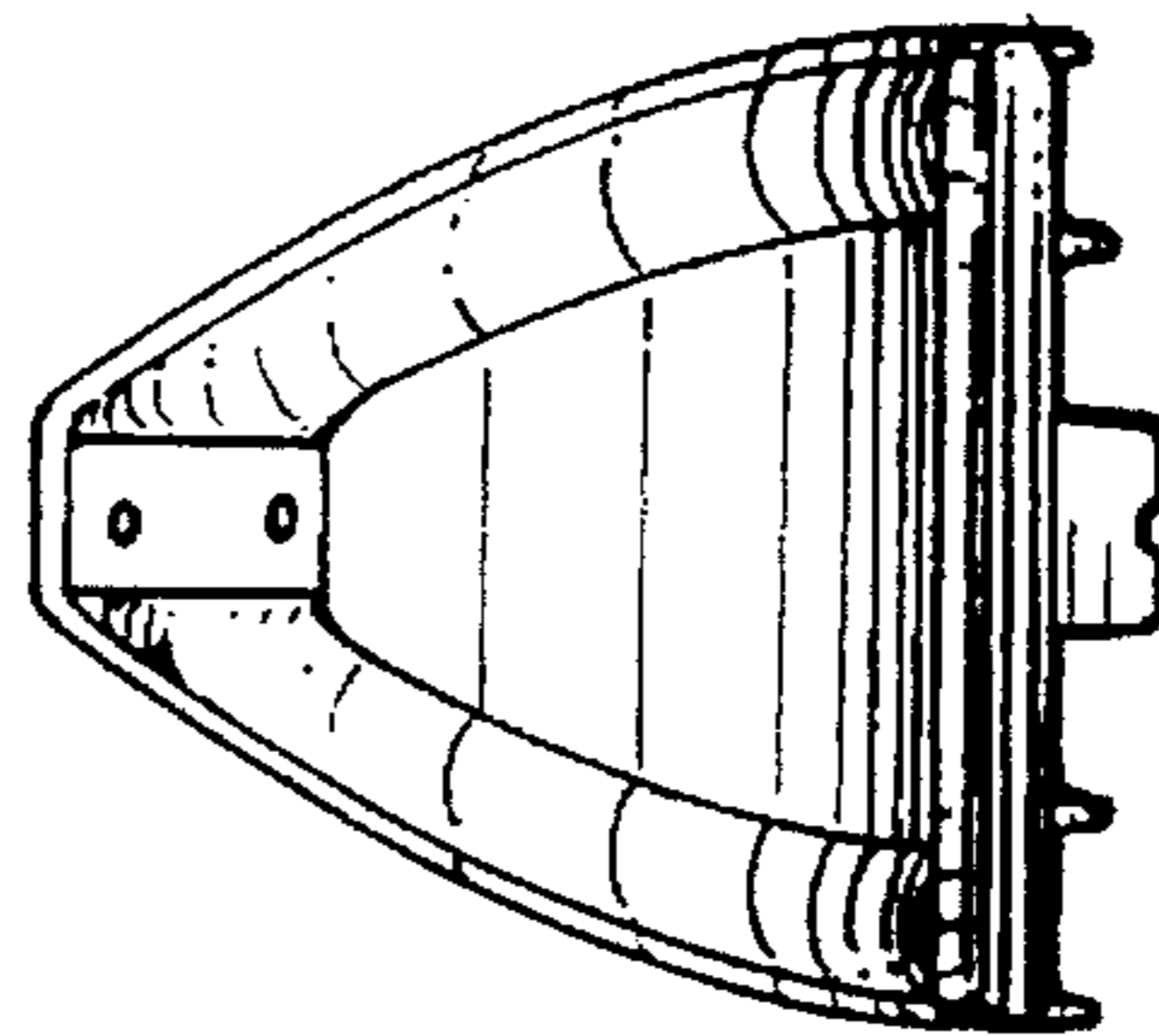


FIG. 6