



US00D366008S

# United States Patent [19]

Newcomer

[11] Patent Number: **Des. 366,008**

[45] Date of Patent: **\*\*Jan. 9, 1996**

## [54] TREESTAND

[76] Inventor: **Charles H. Newcomer**, P.O. Box 134,  
Grants Pass, Oreg. 97526

[\*\*] Term: **14 Years**

[21] Appl. No.: **29,846**

[22] Filed: **Oct. 17, 1994**

[52] U.S. Cl. .... **D11/130.1**

[58] Field of Search ..... D11/130.1; 47/40.5;  
248/519, 527

## [56] References Cited

### U.S. PATENT DOCUMENTS

D. 123,889	12/1940	Moldowon	.....	D11/130.1
D. 172,007	4/1954	Cousland	.....	D11/130.1
D. 287,476	12/1986	Craft et al.	.....	D11/130.1
2,847,175	8/1958	Farley et al.	.....	47/40.5
5,301,462	4/1994	Hronyetz	.....	47/40.5

## OTHER PUBLICATIONS

Playthings Magazine; Sep. 1960; p. 117; Revolving Tree Stand (lower center).

*Primary Examiner*—Dominic Simone  
*Attorney, Agent, or Firm*—Jerry T. Kearns

## [57] CLAIM

The ornamental design for a treestand, as shown and described.

## DESCRIPTION

FIG. 1 is a front top perspective view of a treestand showing my new design;

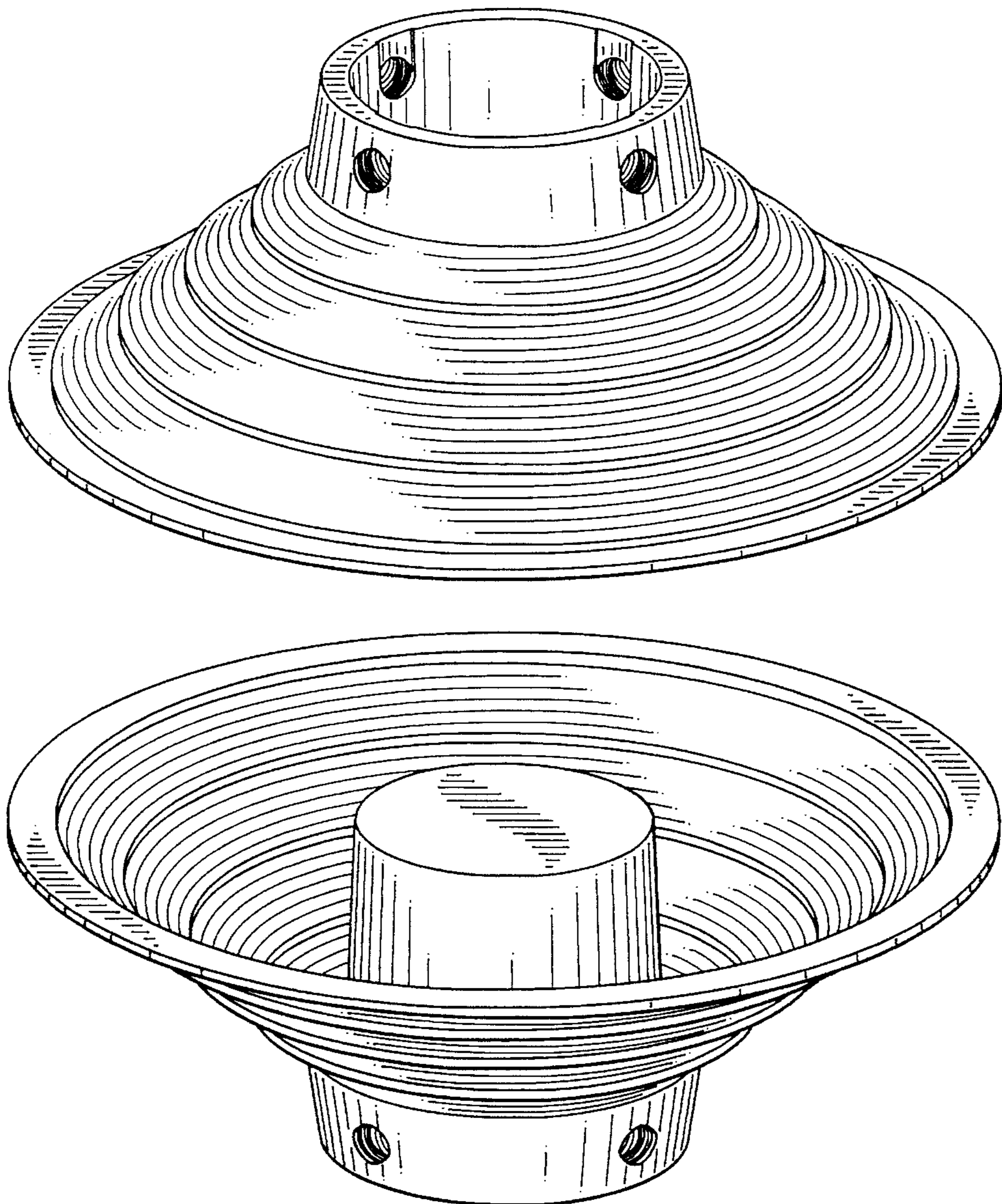
FIG. 2 is an inverted bottom perspective view thereof;

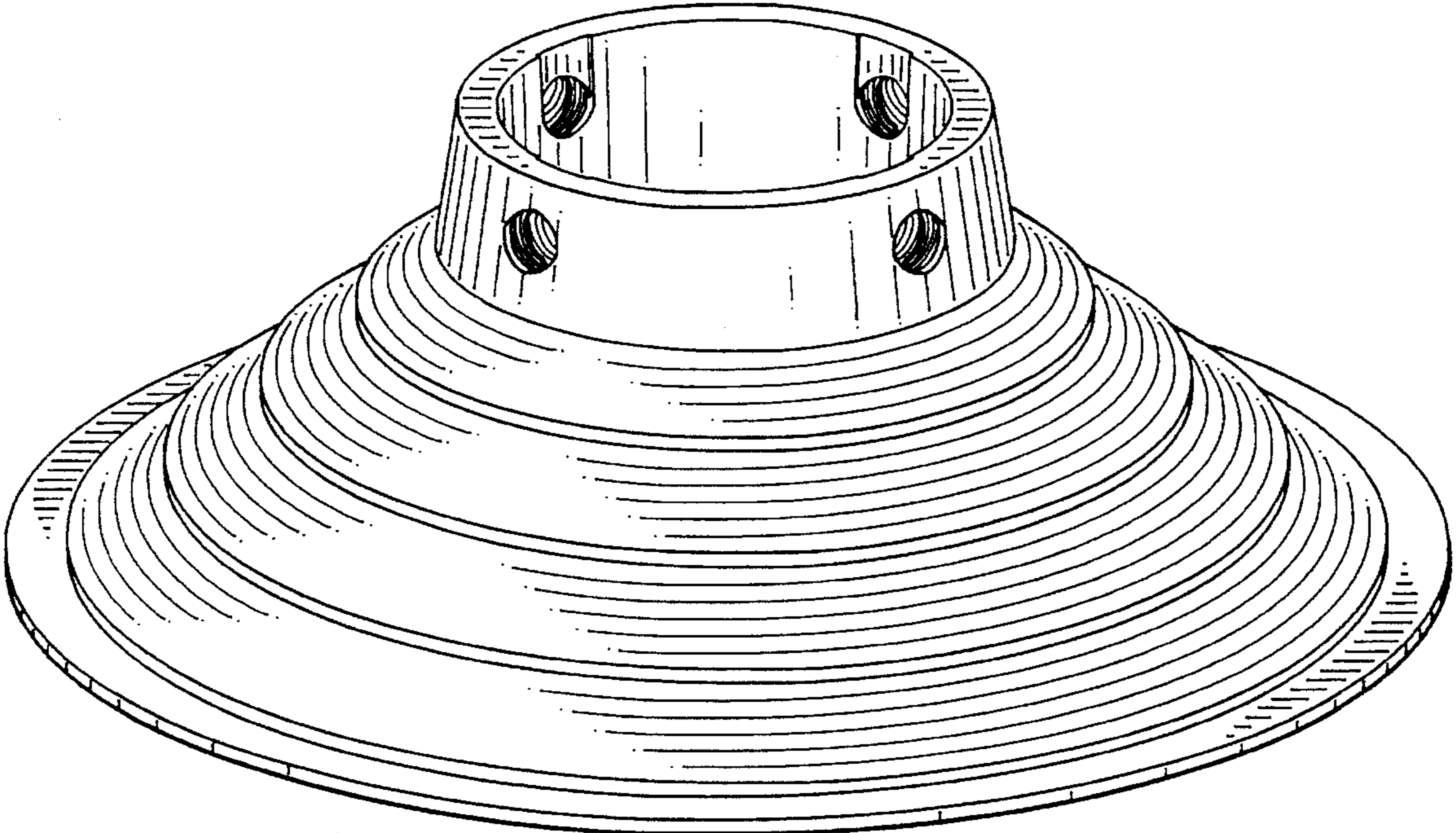
FIG. 3 is a representative side elevational view thereof;

FIG. 4 is a top plan view thereof; and,

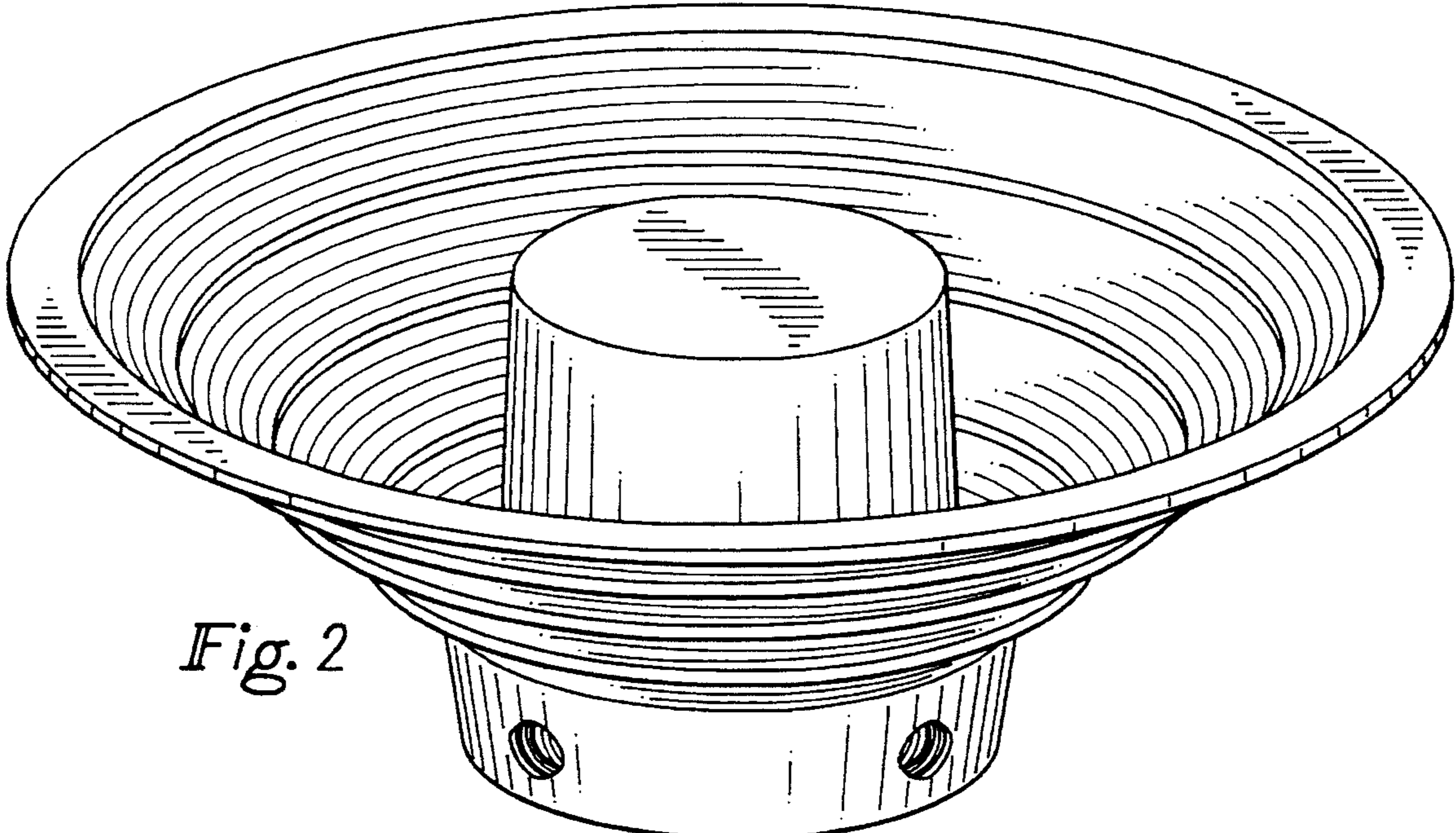
FIG. 5 is a bottom plan view thereof.

**1 Claim, 3 Drawing Sheets**



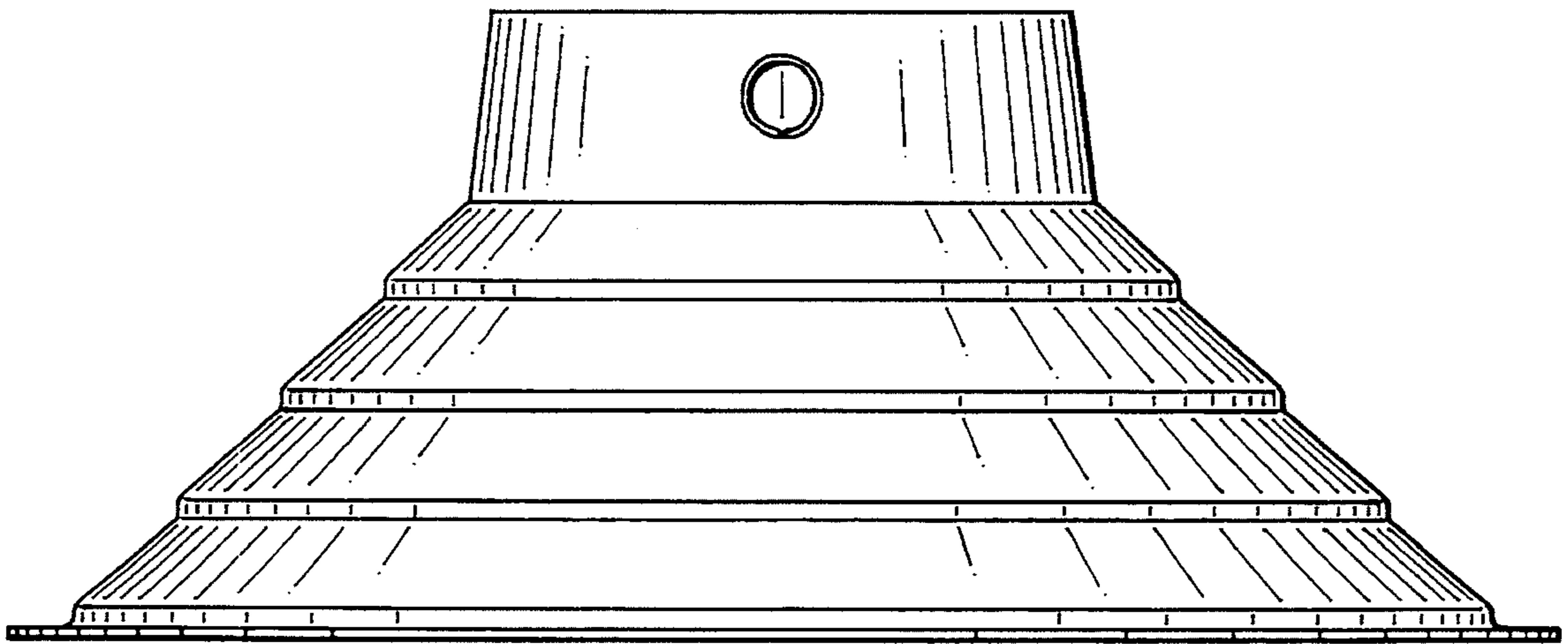


*Fig. 1*

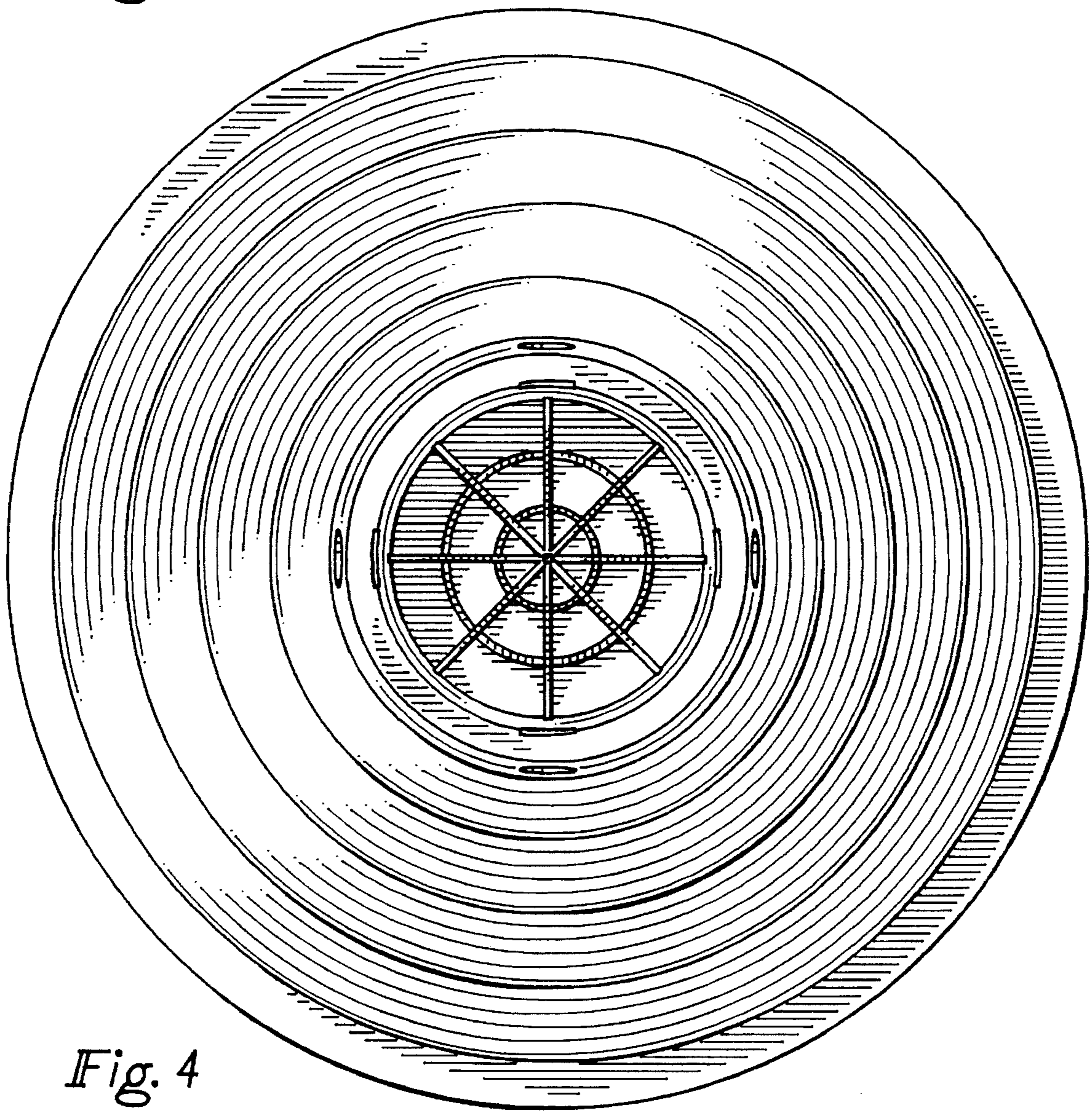


*Fig. 2*

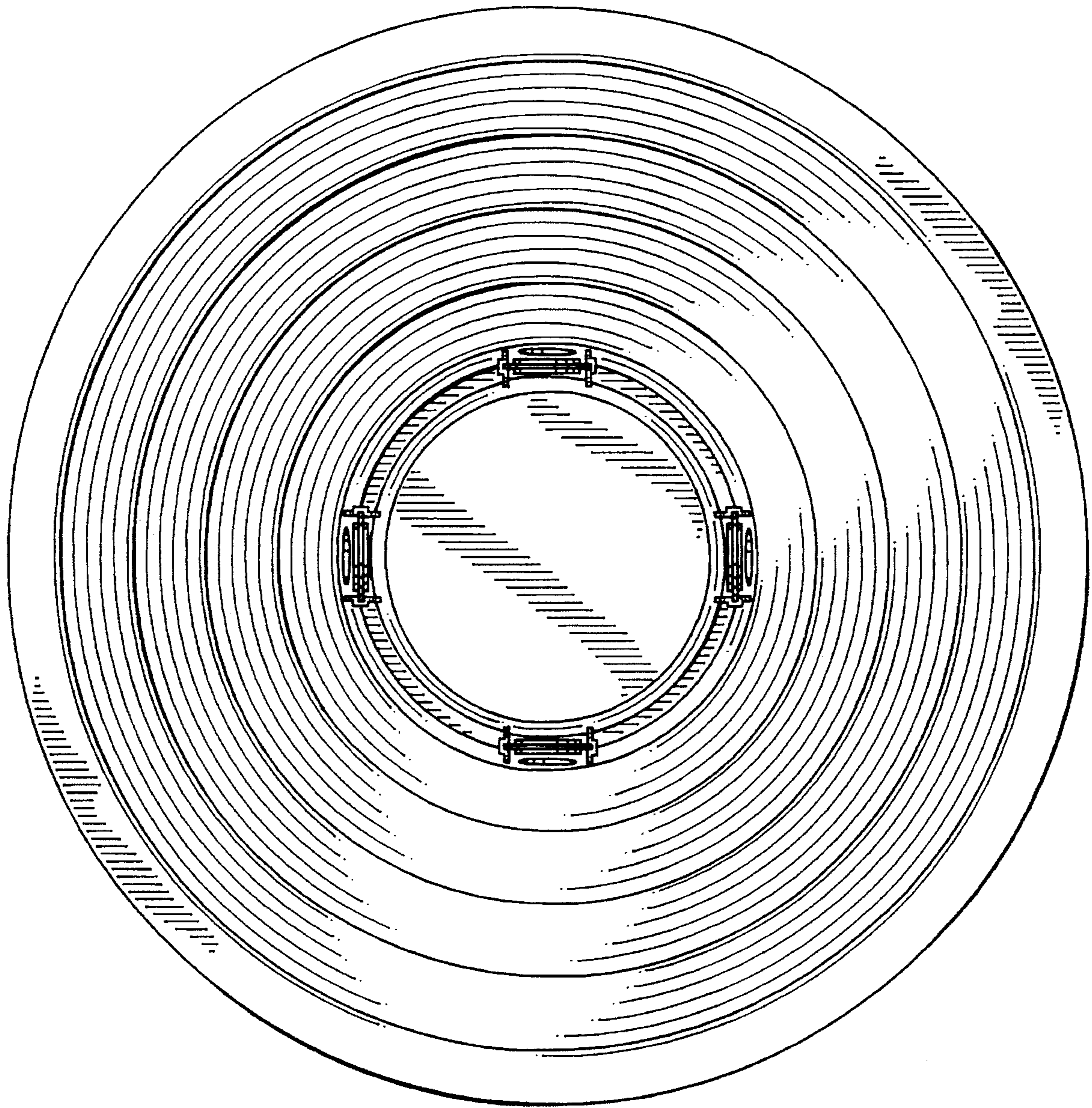




*Fig. 3*



*Fig. 4*



*Fig. 5*