



US00D366004S

United States Patent [19]
Poliah

[11] **Patent Number:** **Des. 366,004**
[45] **Date of Patent:** ****Jan. 9, 1996**

[54] **SWIMMING POOL PERIMETER ALARM**

[76] Inventor: **Carl Poliah**, 1351 Euclid Ave. #6,
Miami Beach, Fla. 33139-3935

[**] Term: **14 Years**

[21] Appl. No.: **33,074**

[22] Filed: **Jan. 4, 1995**

[52] **U.S. Cl.** **D10/106**

[58] **Field of Search** D10/104, 106,
D10/116, 121; 340/540, 541, 542, 546,
547, 549, 550, 552, 561, 565, 568, 571,
572

[56] **References Cited**

U.S. PATENT DOCUMENTS

| | | | | |
|------------|---------|---------|-------|---------|
| D. 261,242 | 10/1981 | Lorist | | D10/106 |
| D. 281,866 | 12/1985 | Abel | | D10/106 |
| D. 285,665 | 9/1986 | Green | | D10/106 |
| D. 325,178 | 4/1992 | Corneal | | D10/106 |

Primary Examiner—A. Hugo Word
Assistant Examiner—Marcus Jackson
Attorney, Agent, or Firm—Harpman & Harpman

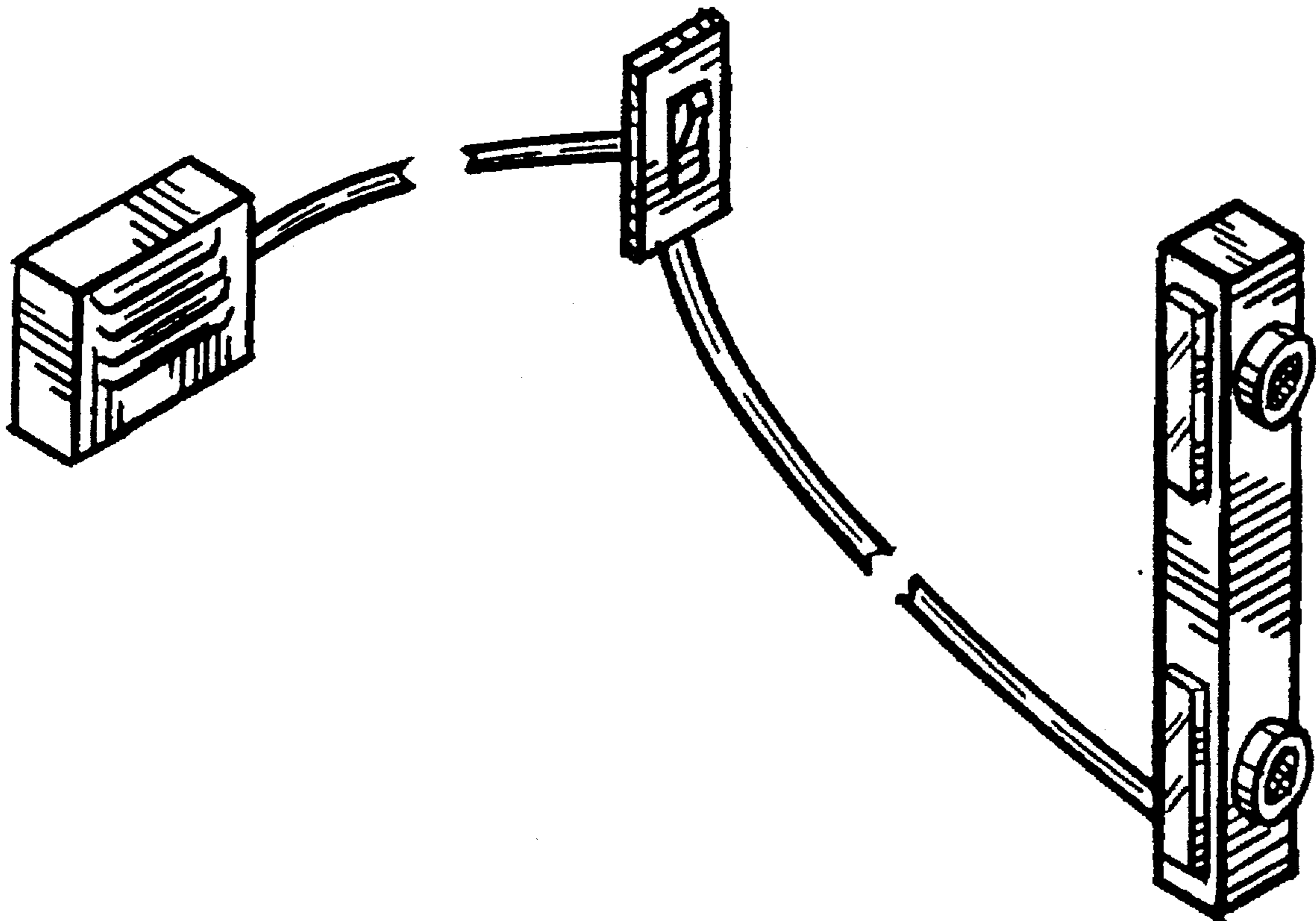
[57] **CLAIM**

The ornamental design for a swimming pool perimeter alarm, as shown and described.

DESCRIPTION

FIG. 1 is a front, top and side perspective view of the swimming pool perimeter alarm embodying the design of the present invention, with the cords broken away in the center to indicate indeterminate length;
FIG. 2 is a front elevational view thereof;
FIG. 3 is a rear elevational view thereof;
FIG. 4 is a right side elevational view thereof;
FIG. 5 is a left side elevational view thereof;
FIG. 6 is a top plan view thereof; and,
FIG. 7 is a bottom plan view thereof.

1 Claim, 3 Drawing Sheets



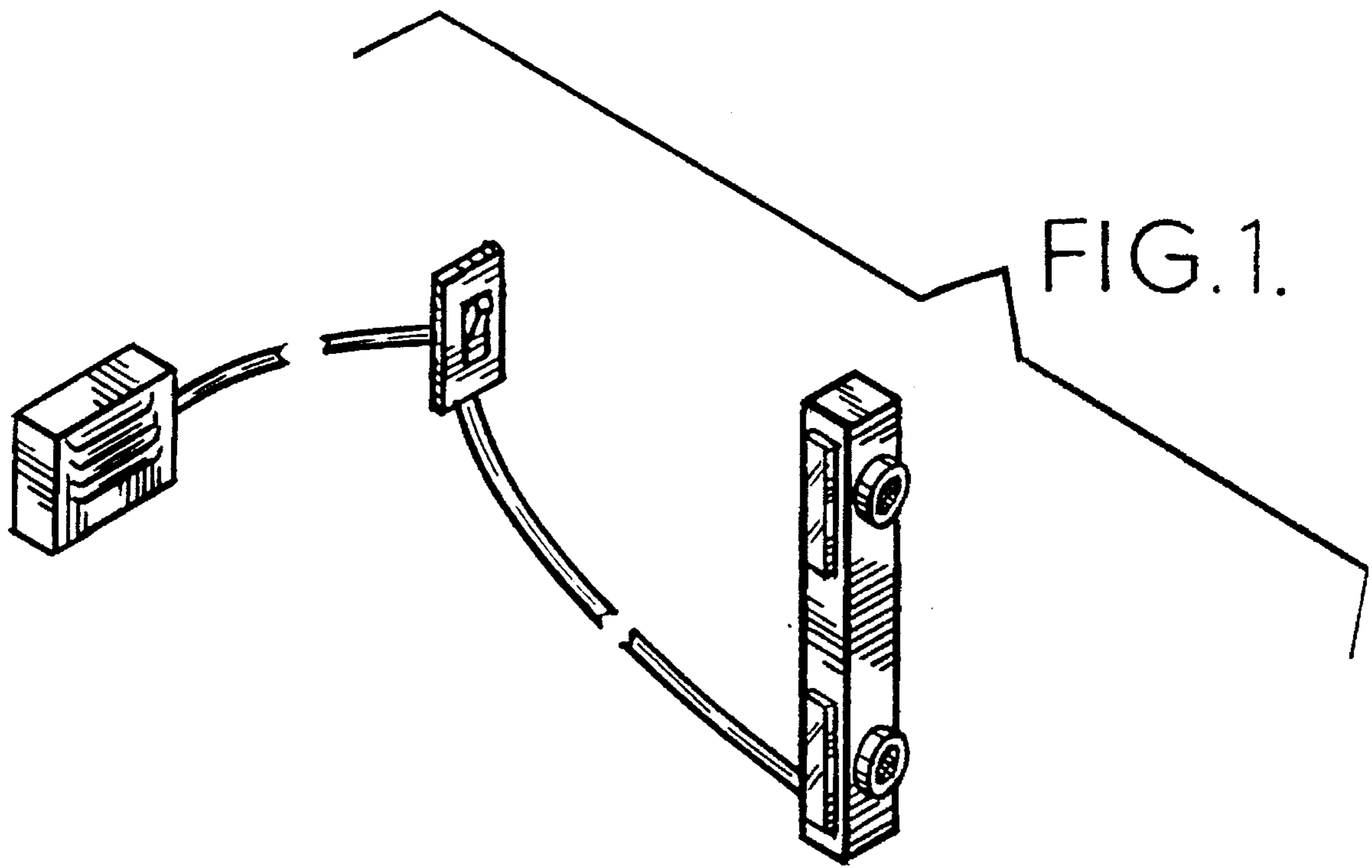


FIG. 2.

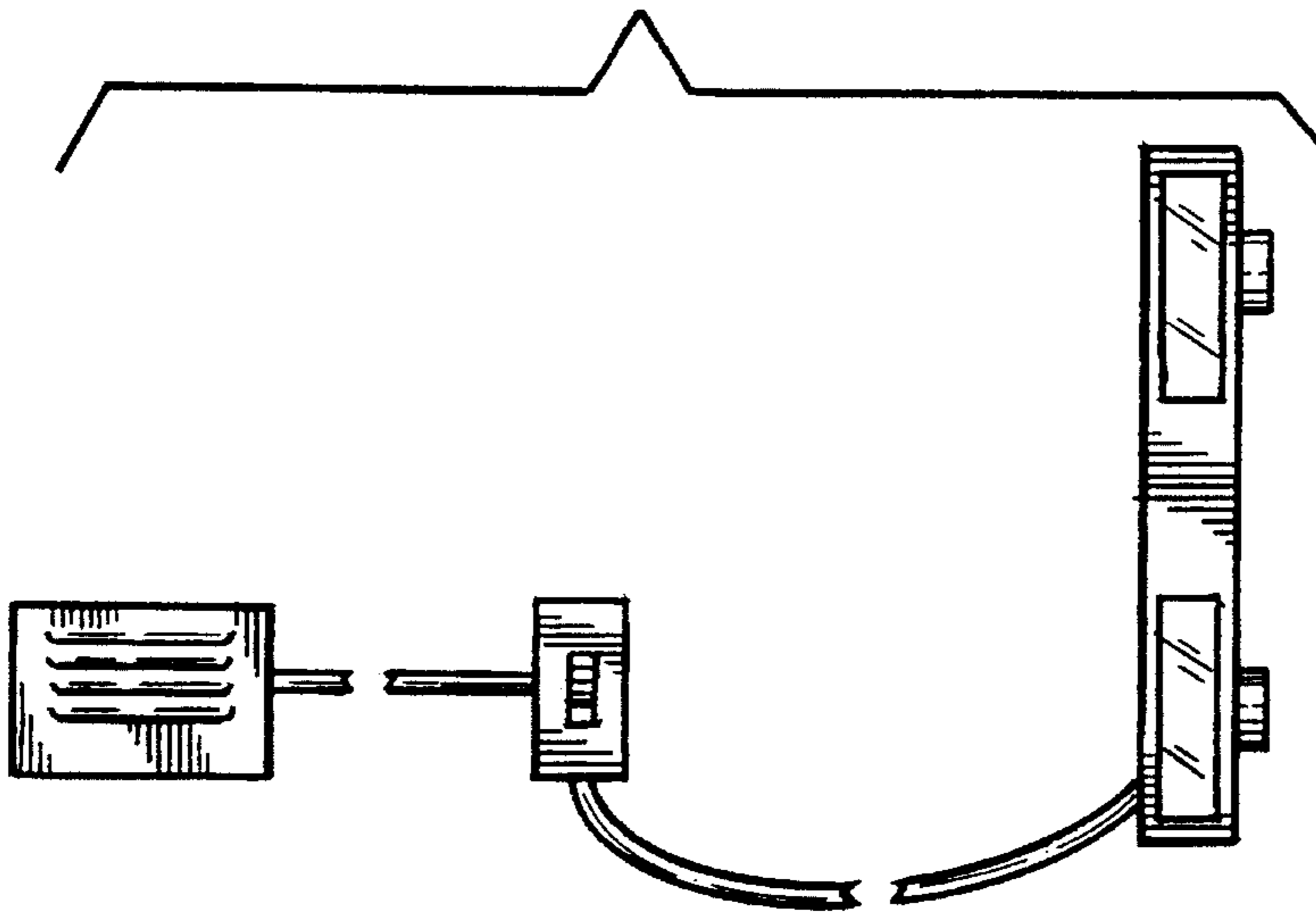


FIG. 5.

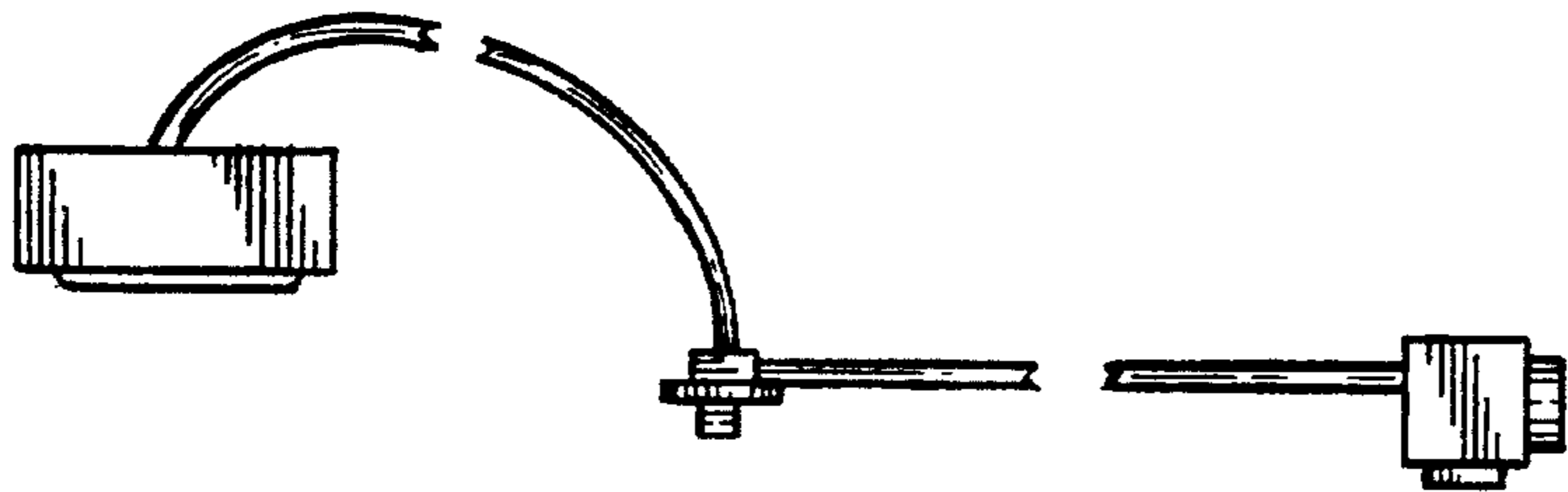
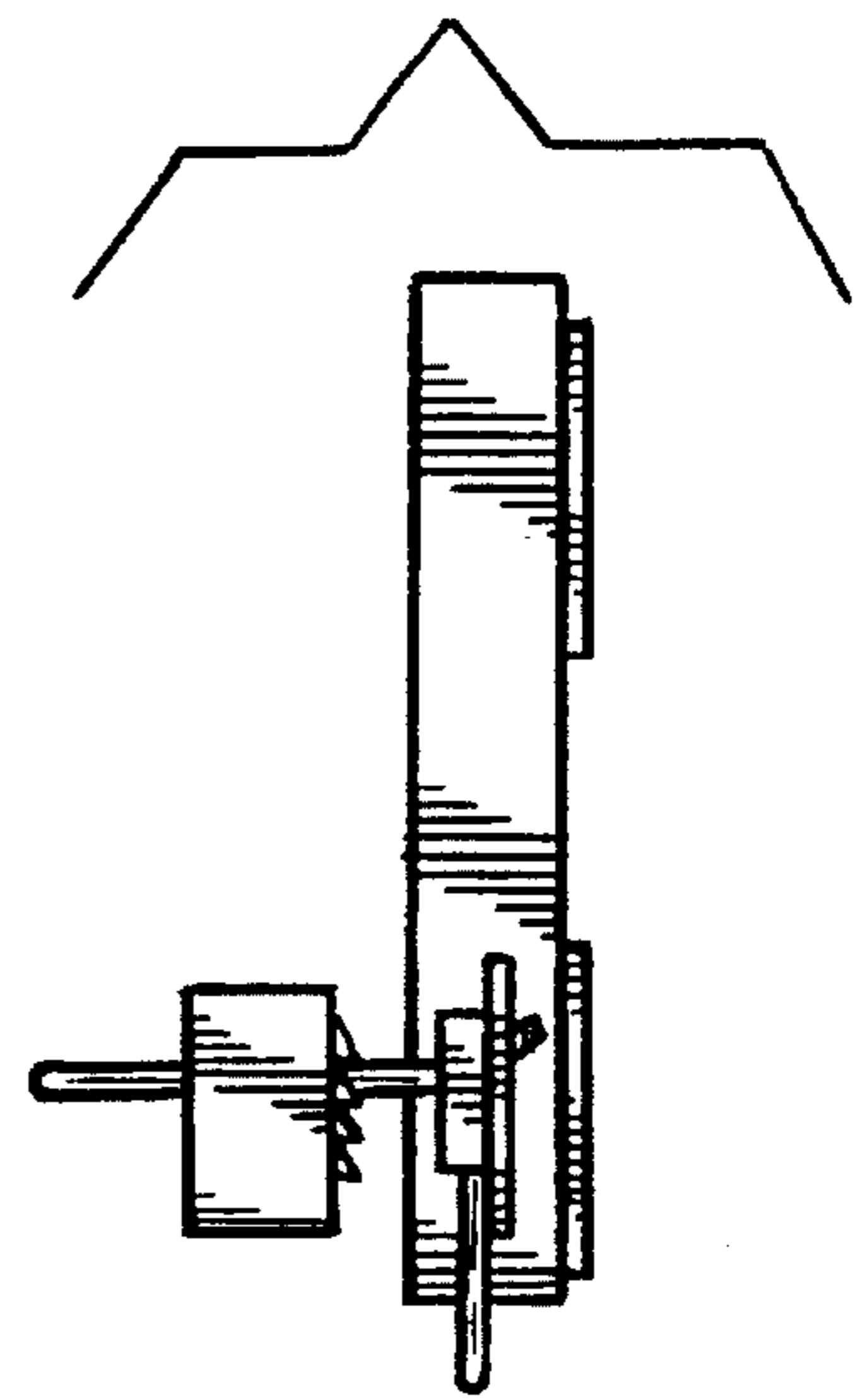


FIG. 6.

