



US00D366001S

# United States Patent [19]

[11] Patent Number: **Des. 366,001**

Mimoto

[45] Date of Patent: **\*\*Jan. 9, 1996**

[54] **ELECTRONIC SCALE WITH PRINTER**

4,589,505 5/1986 Takahashi ..... 177/2

4,601,355 7/1986 Takahashi ..... 177/2

4,700,791 10/1987 Iwasaki et al. .... 177/2

[75] Inventor: **Osamu Mimoto**, Sagamihara, Japan

[73] Assignee: **Tokyo Electric Co.**, Tokyo, Japan

[\*\*] Term: **14 Years**

*Primary Examiner*—Antoine Duval Davis  
*Attorney, Agent, or Firm*—Peter Jon Gluck; Thomas R. Morrison

[21] Appl. No.: **28,382**

### [57] CLAIM

[22] Filed: **Sep. 13, 1994**

The ornamental design for an electronic scale with printer, as shown and described.

### [30] Foreign Application Priority Data

### DESCRIPTION

Apr. 22, 1994 [JP] Japan ..... 6-11726

[52] U.S. Cl. .... **D10/91**

[58] Field of Search ..... D10/91; 101/35, 101/43; 177/2, 25.13, 25.14–25.18, 50, 238–245; 235/375–380; 346/143; 364/464.03, 466, 478, 567

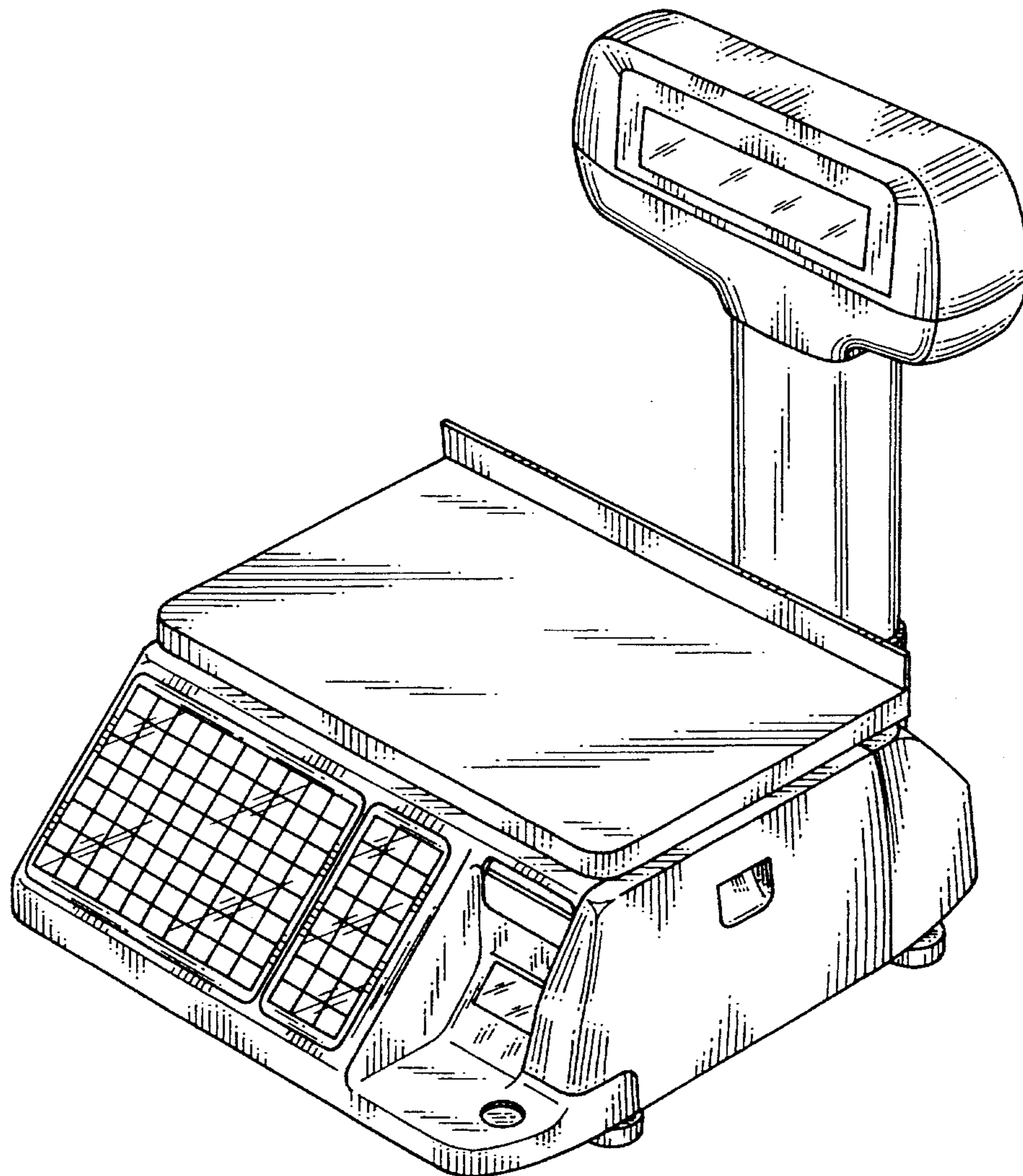
FIG. 1 is a perspective view of an electronic scale with printer showing my design;  
FIG. 2 is a front elevational view thereof;  
FIG. 3 is a rear elevational view thereof;  
FIG. 4 is a top view thereof;  
FIG. 5 is a bottom plan view thereof;  
FIG. 6 is a left side elevational view thereof;  
FIG. 7 is a right side elevational view thereof; and,  
FIG. 8 is a cross-sectional view thereof taken through line 8—8 of FIG. 4.

### [56] References Cited

#### U.S. PATENT DOCUMENTS

D. 260,376 8/1981 Lawing ..... D10/91  
D. 350,295 9/1994 Reeder ..... D10/91

**1 Claim, 8 Drawing Sheets**



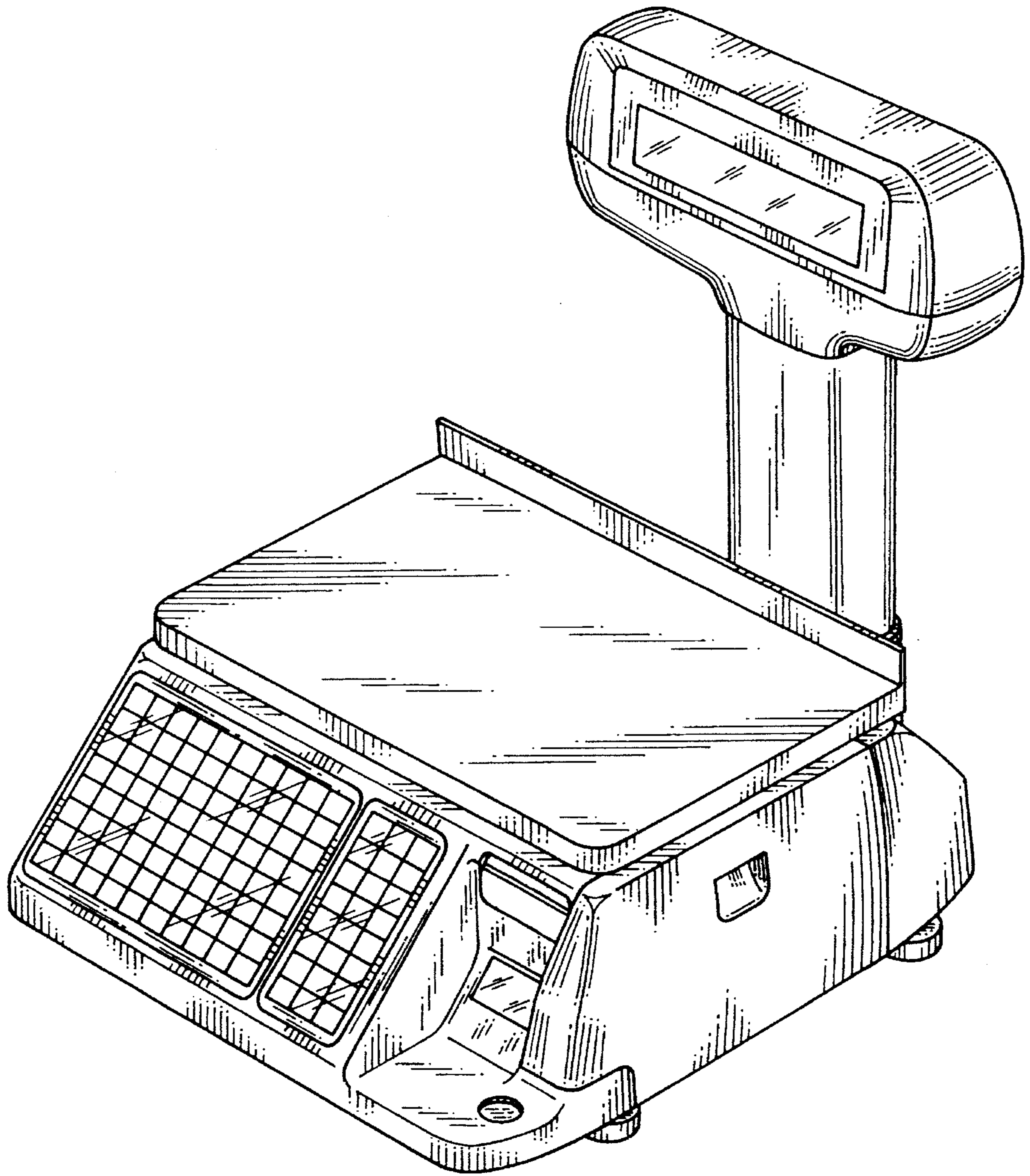


FIG. 1

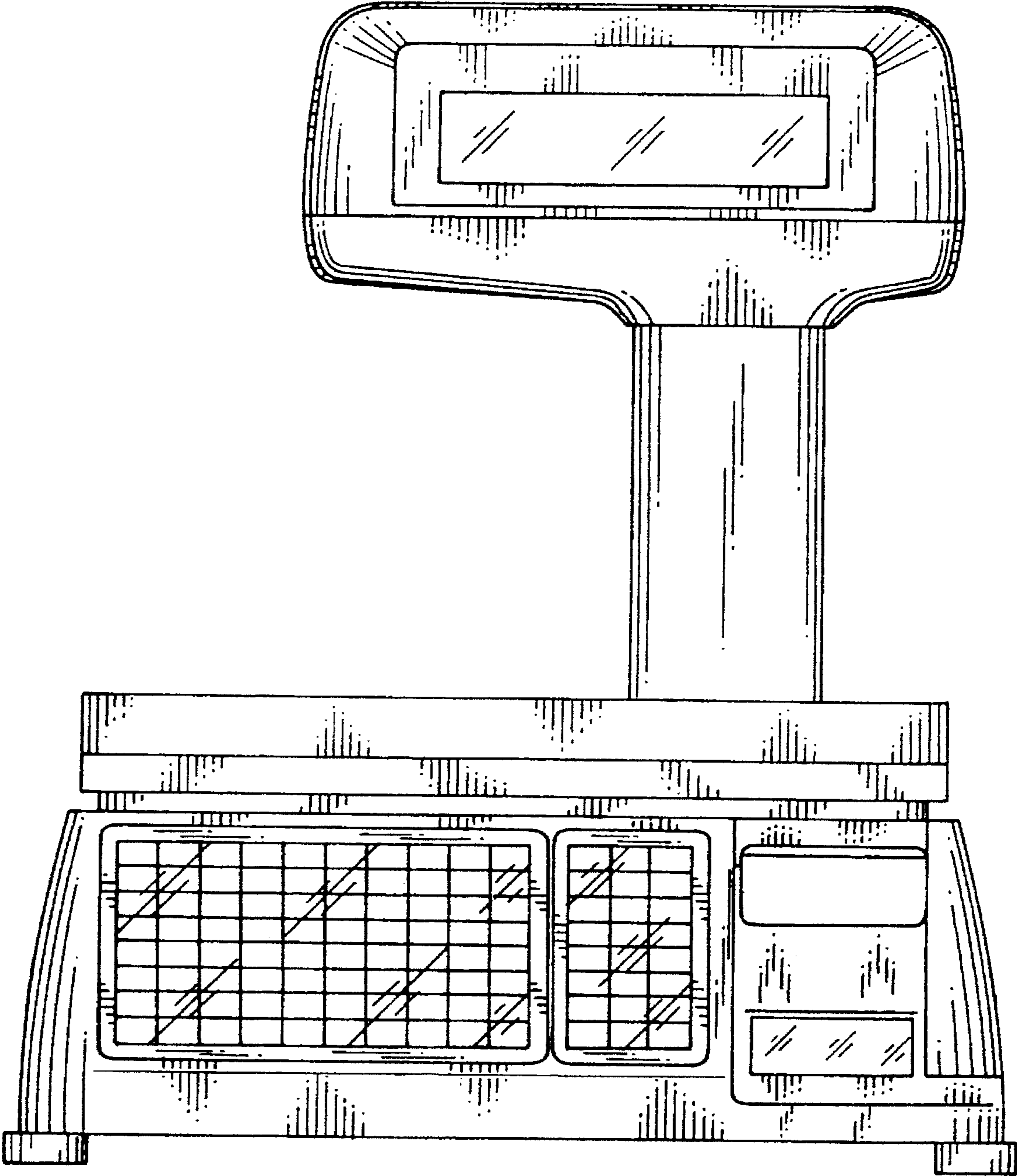


FIG. 2

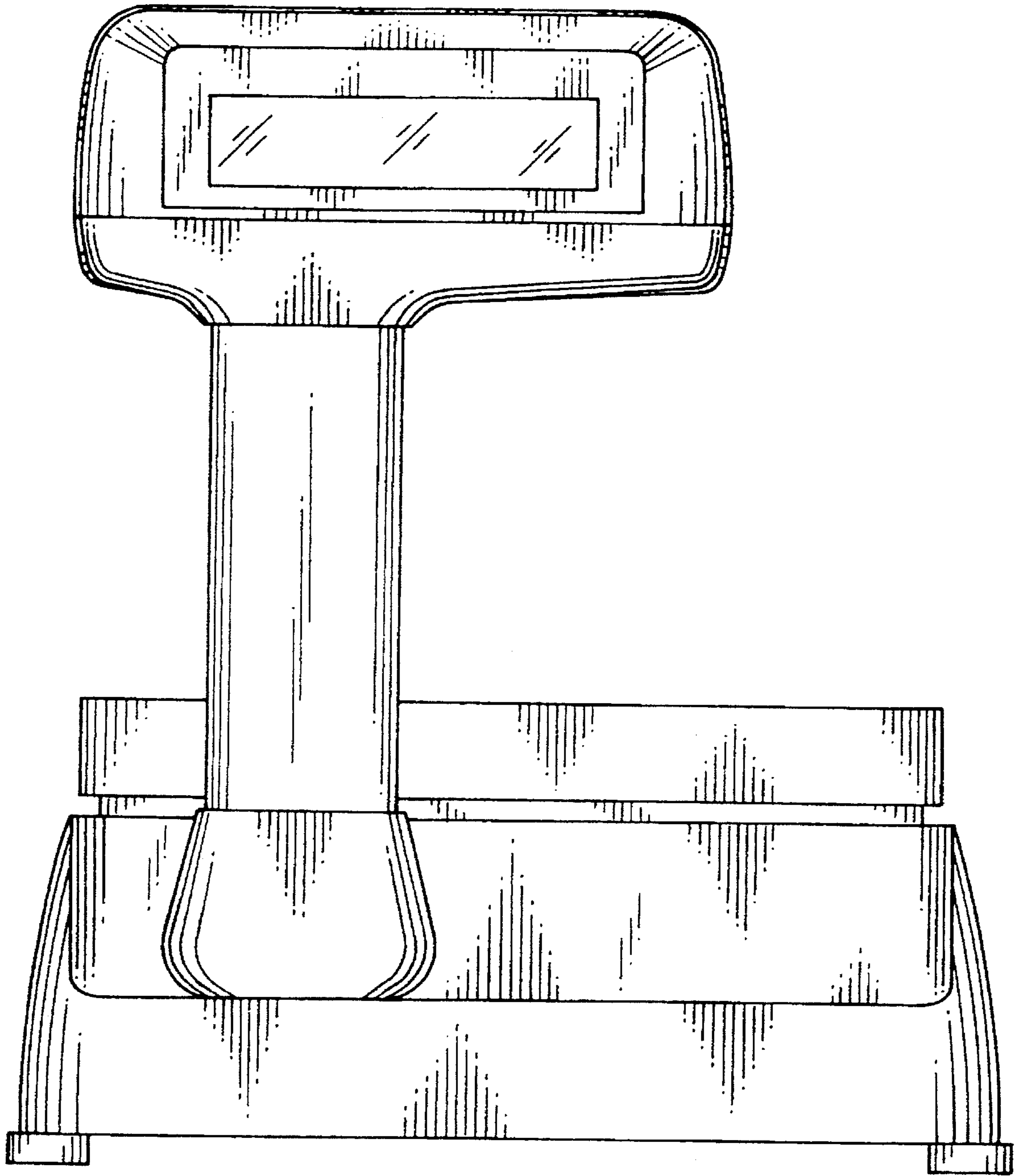


FIG. 3

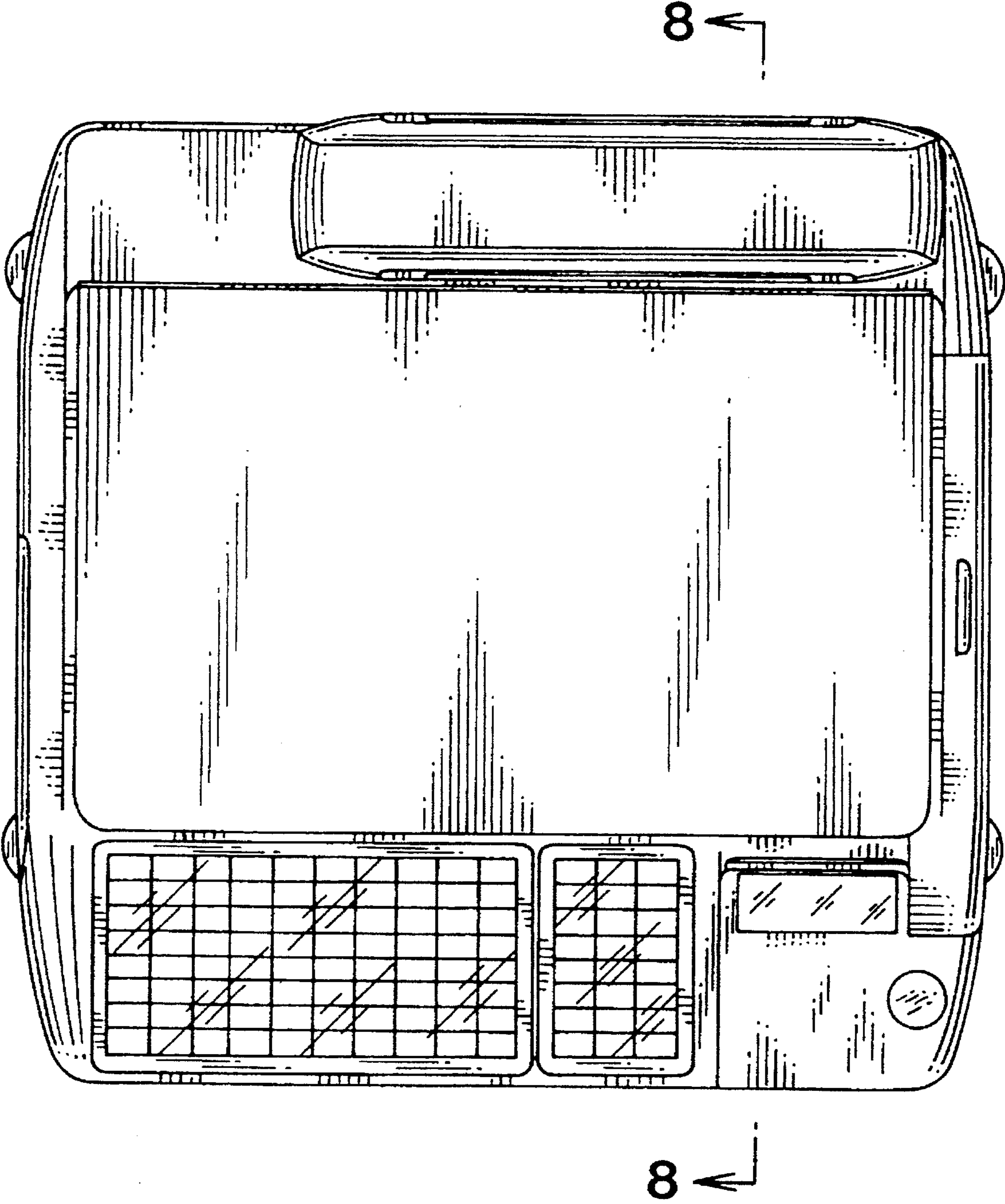


FIG. 4

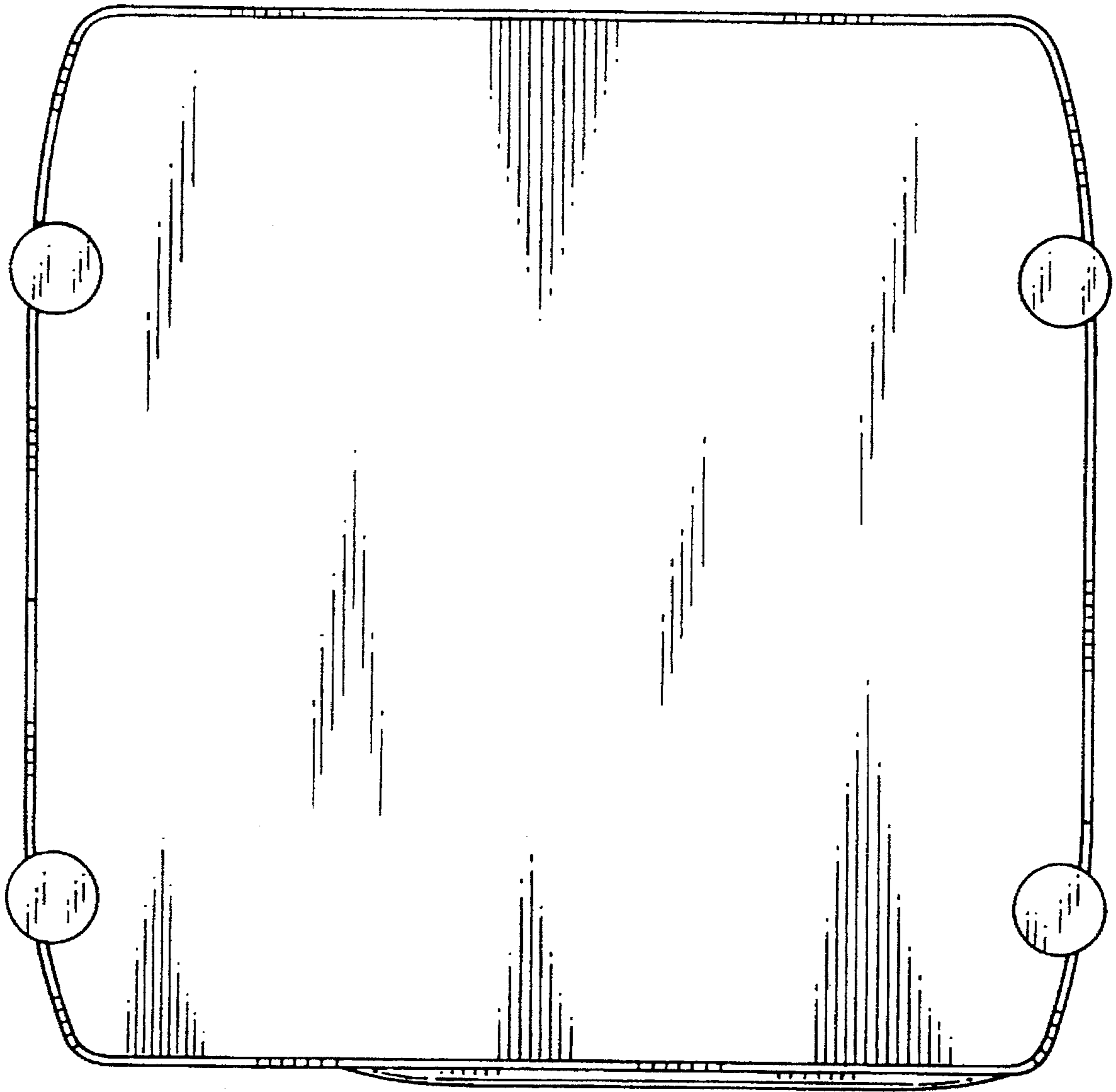


FIG. 5

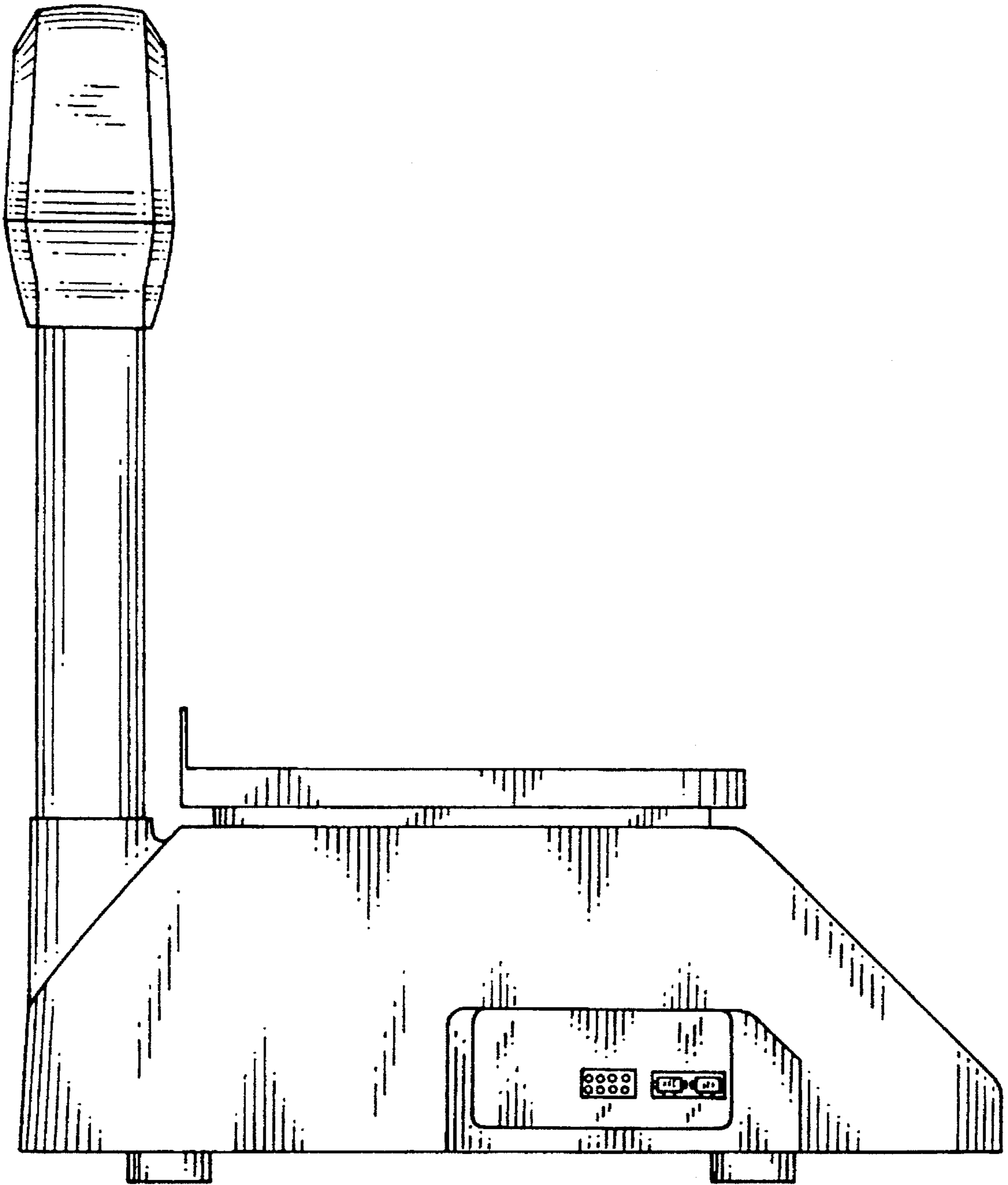


FIG. 6

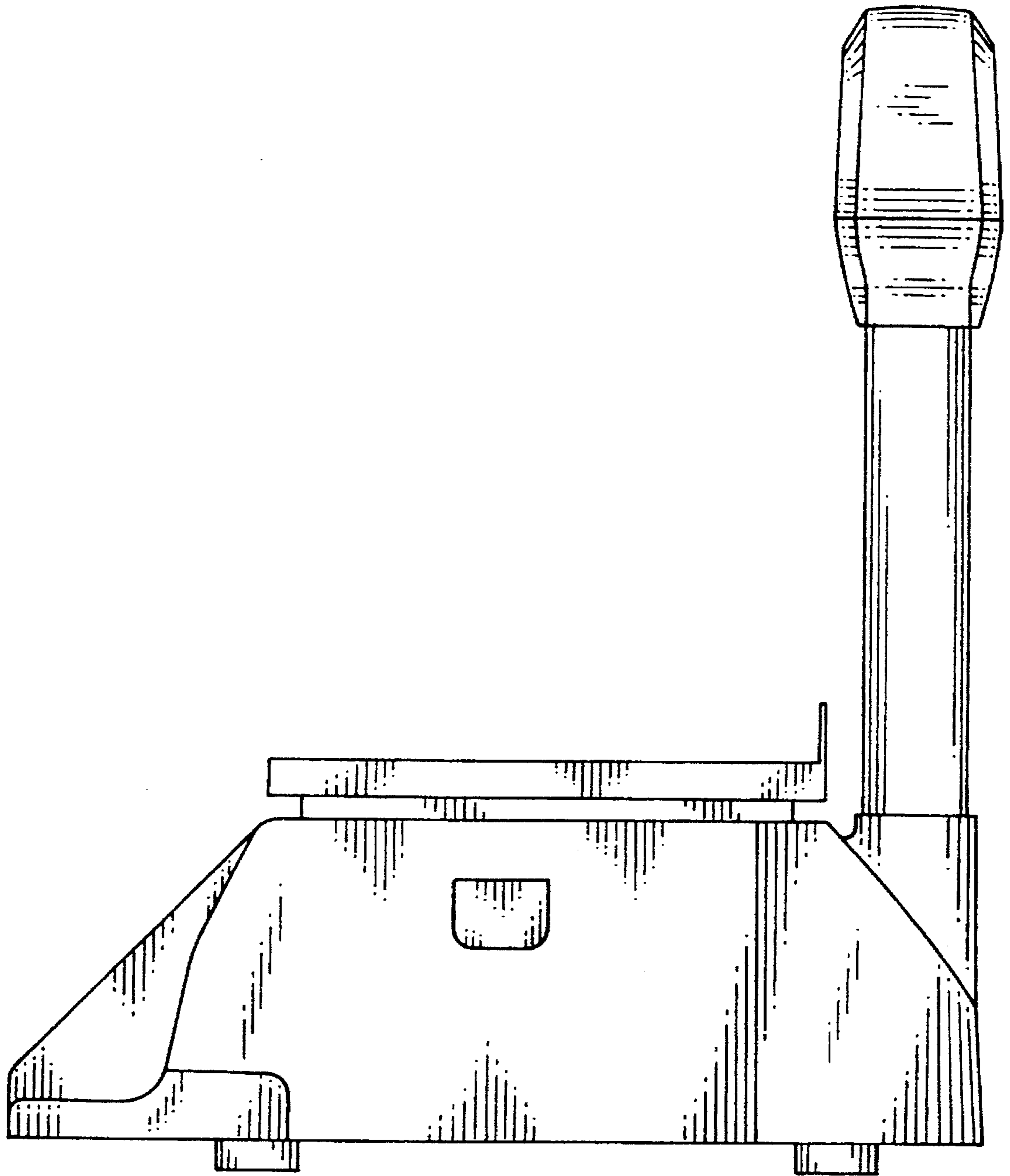


FIG. 7



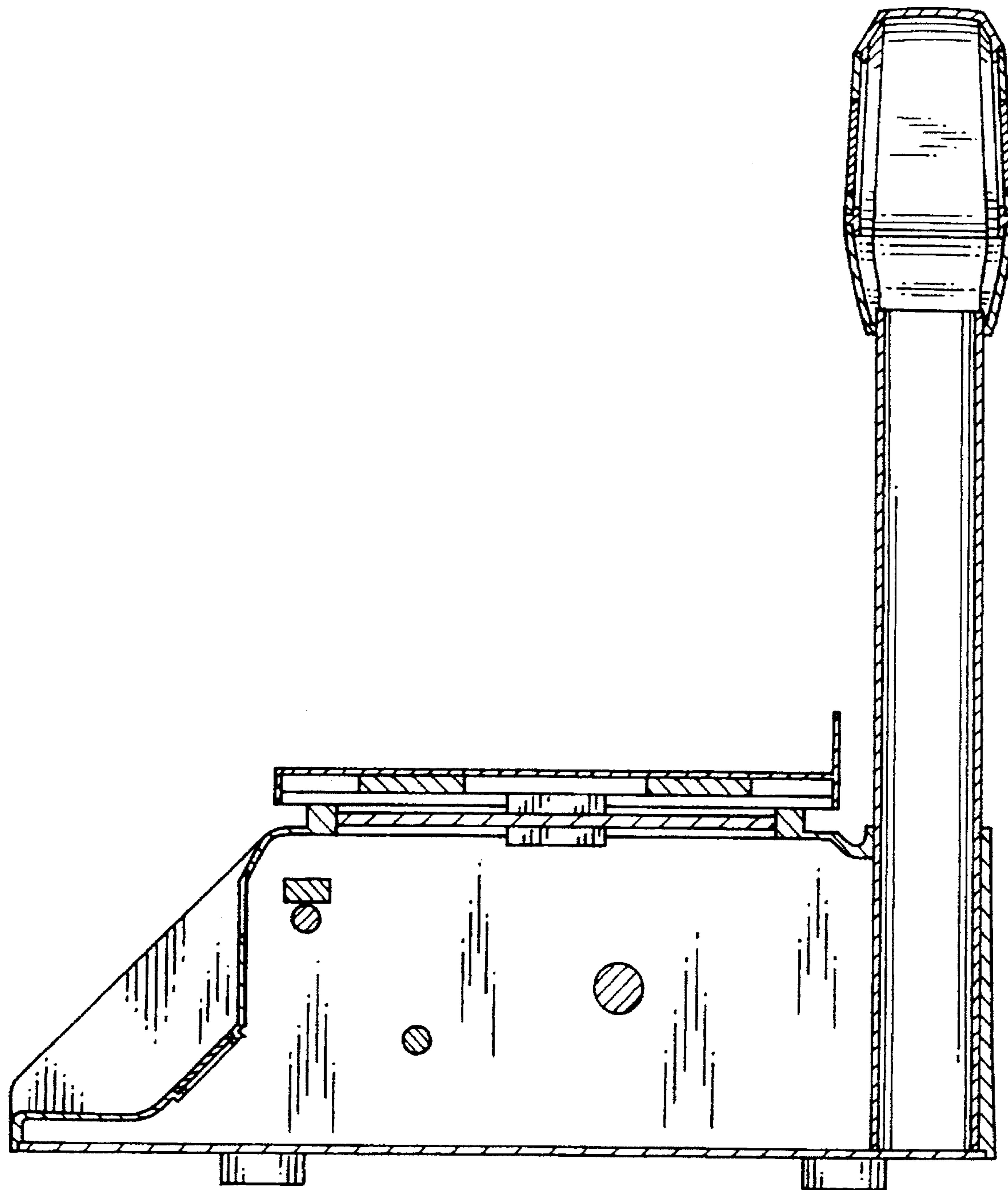


FIG. 8