



US00D366000S

United States Patent [19]

[11] **Patent Number: Des. 366,000**

Karas et al.

[45] **Date of Patent: **Jan. 9, 1996**

[54] **PRESSURE TRANSMITTER HOUSING**

D. 317,269 6/1991 Selg D10/52
D. 341,095 11/1993 Alden et al. D10/85
5,331,857 7/1994 Levine et al. 73/756

[76] Inventors: **Edwin L. Karas**, 475 Ware St.,
Mansfield, Mass. 02048; **Roger E. Powell, II**, 31 Warren Ave., North
Smithfield, R.I. 02895; **John P. Angelosanto**, 426 Kelley Blvd., North
Attleboro, Mass. 02760; **Steven D. Lantagne**, 40 Maynard Ave., Seekonk,
Mass. 02771

Primary Examiner—Antoine Duval Davis
Attorney, Agent, or Firm—Jules Jay Morris

[57] **CLAIM**

The ornamental design for a pressure transmitter housing, as shown and described.

[**] Term: **14 Years**

DESCRIPTION

[21] Appl. No.: **32,041**

FIG. 1 is a perspective view of a pressure transmitter housing embodying our new design;
FIG. 2 is a right side elevational view thereof;
FIG. 3 is a front elevational view thereof;
FIG. 4 is a top plan view thereof;
FIG. 5 is a left side elevational view thereof;
FIG. 6 is a rear elevational view thereof; and,
FIG. 7 is a bottom plan view thereof.

[22] Filed: **Dec. 6, 1994**

[52] **U.S. Cl.** **D10/85**

[58] **Field of Search** D10/85; 73/700-756

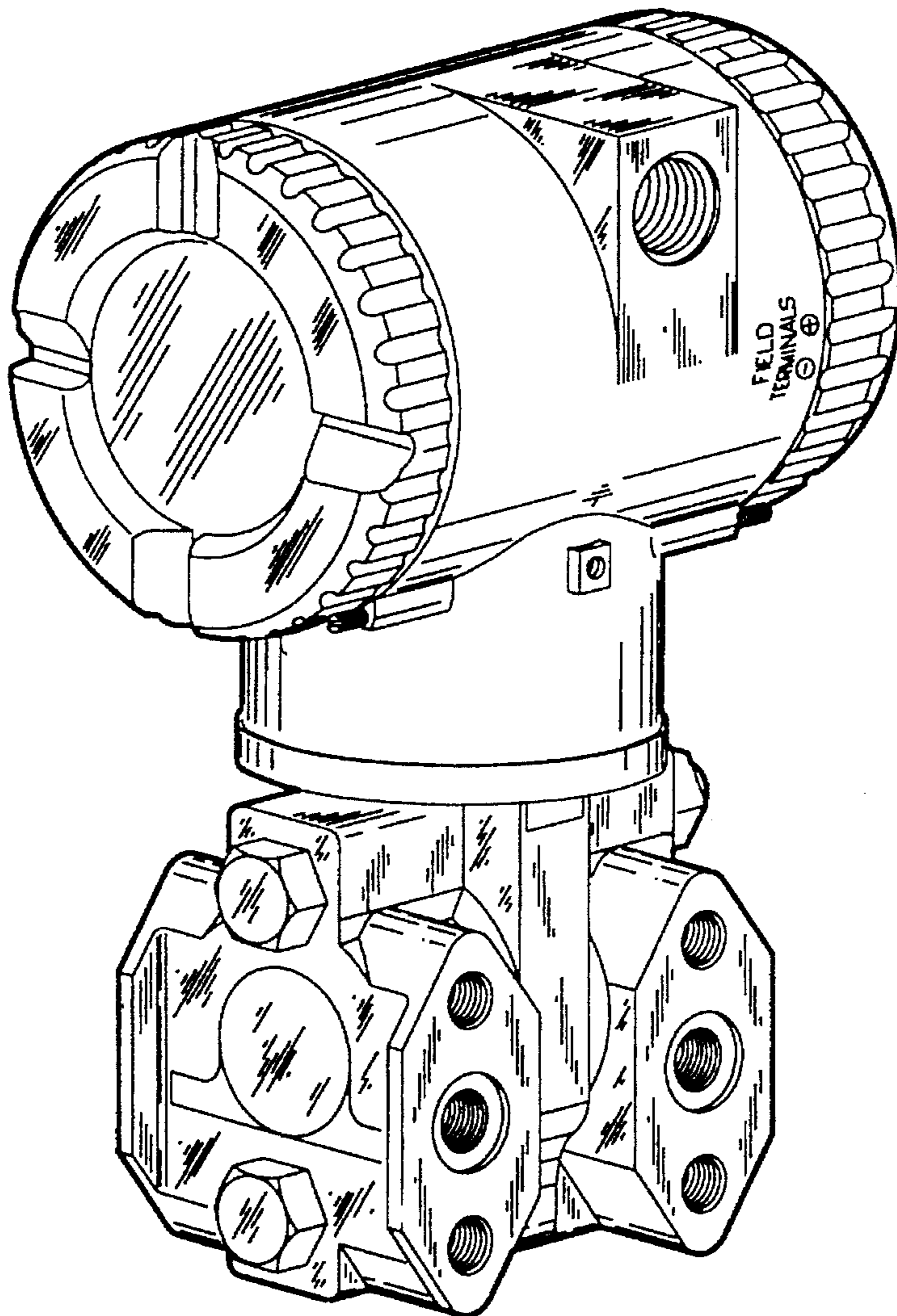
The broken line showing in the drawings are for illustrative purposes only and forms no part of the claimed design.

[56] **References Cited**

U.S. PATENT DOCUMENTS

D. 316,975 5/1991 Brown et al. D10/85 X
D. 317,266 6/1991 Broden et al. D10/46

1 Claim, 3 Drawing Sheets



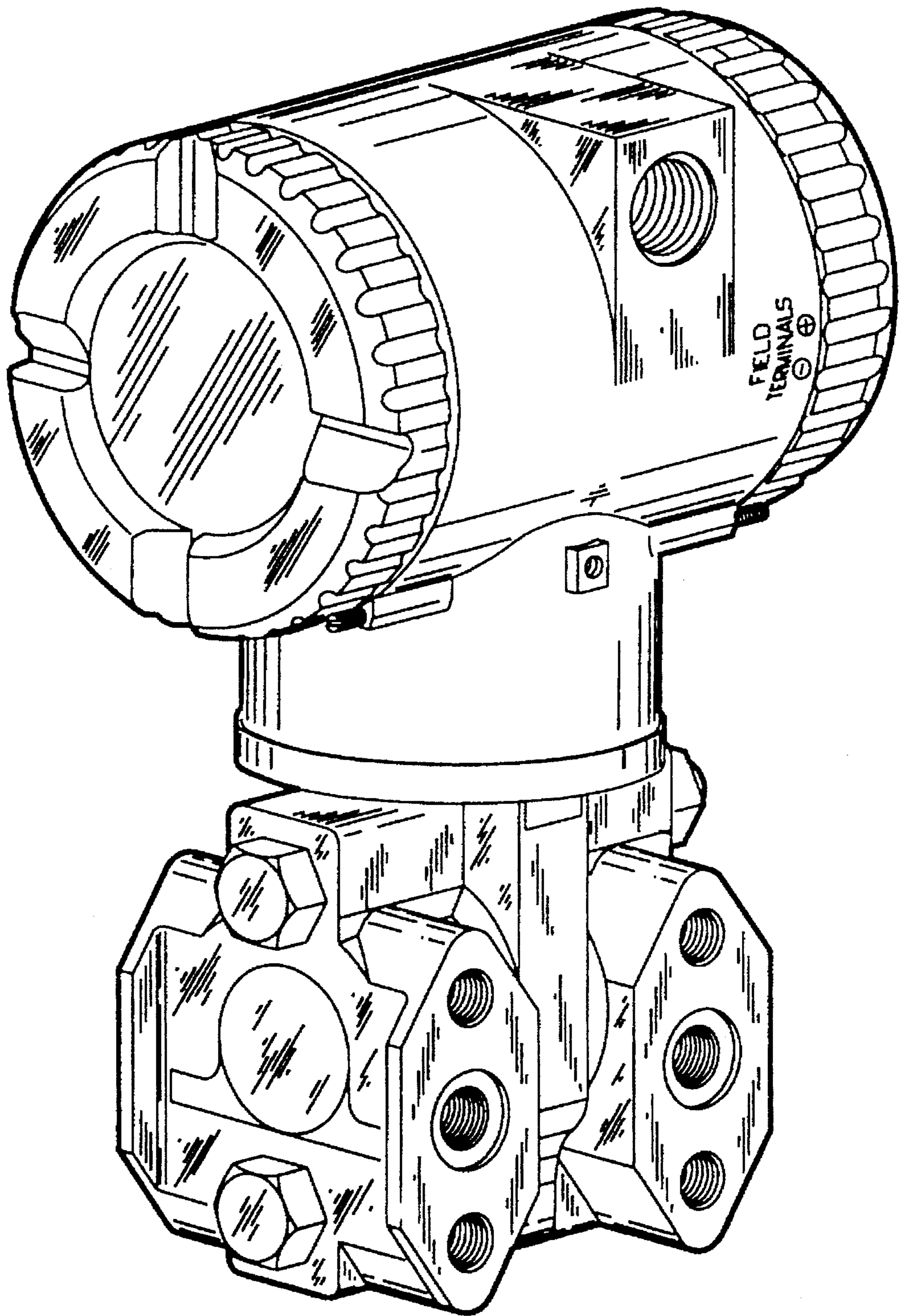


Fig. 1

Fig. 4

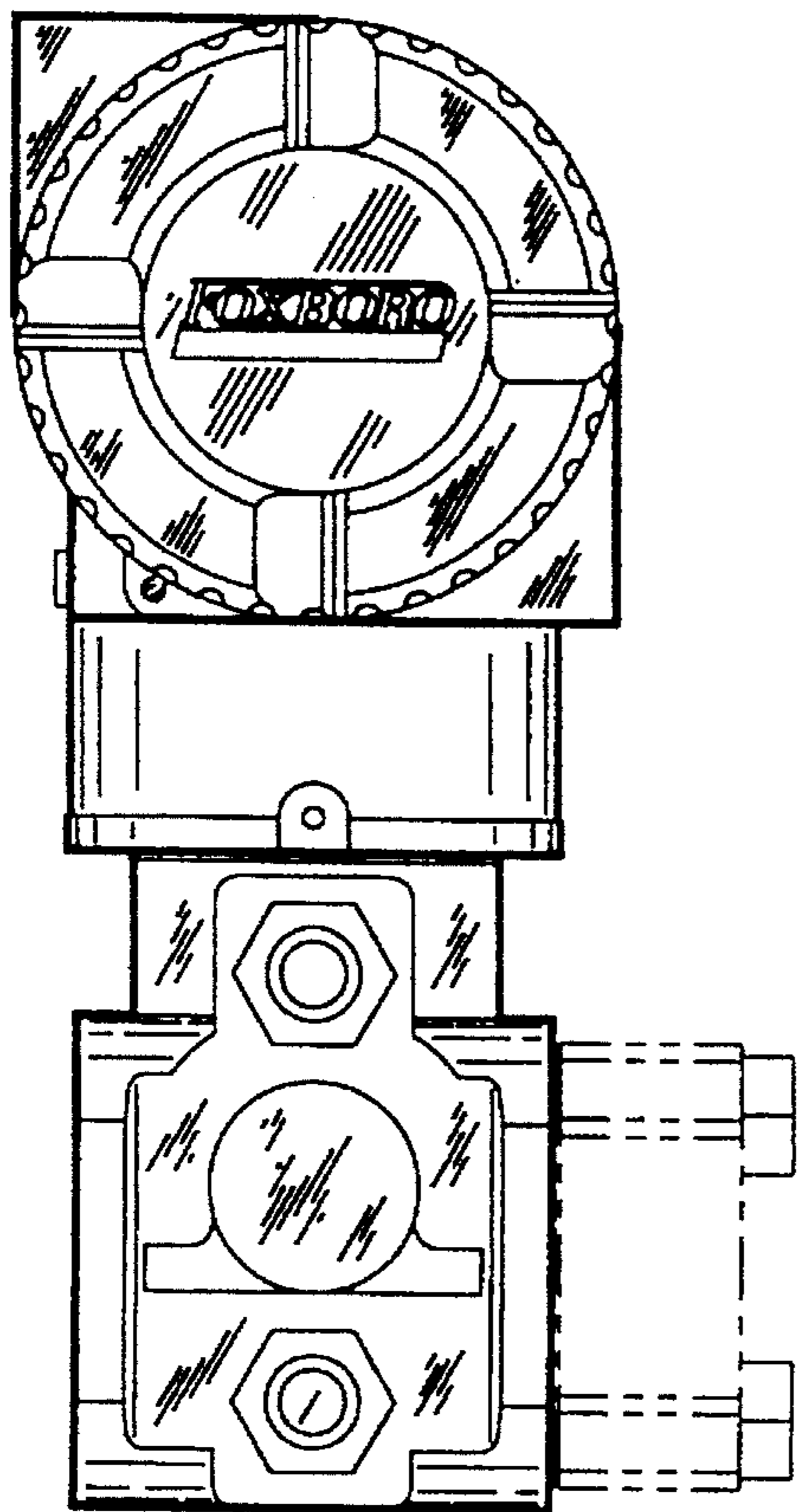
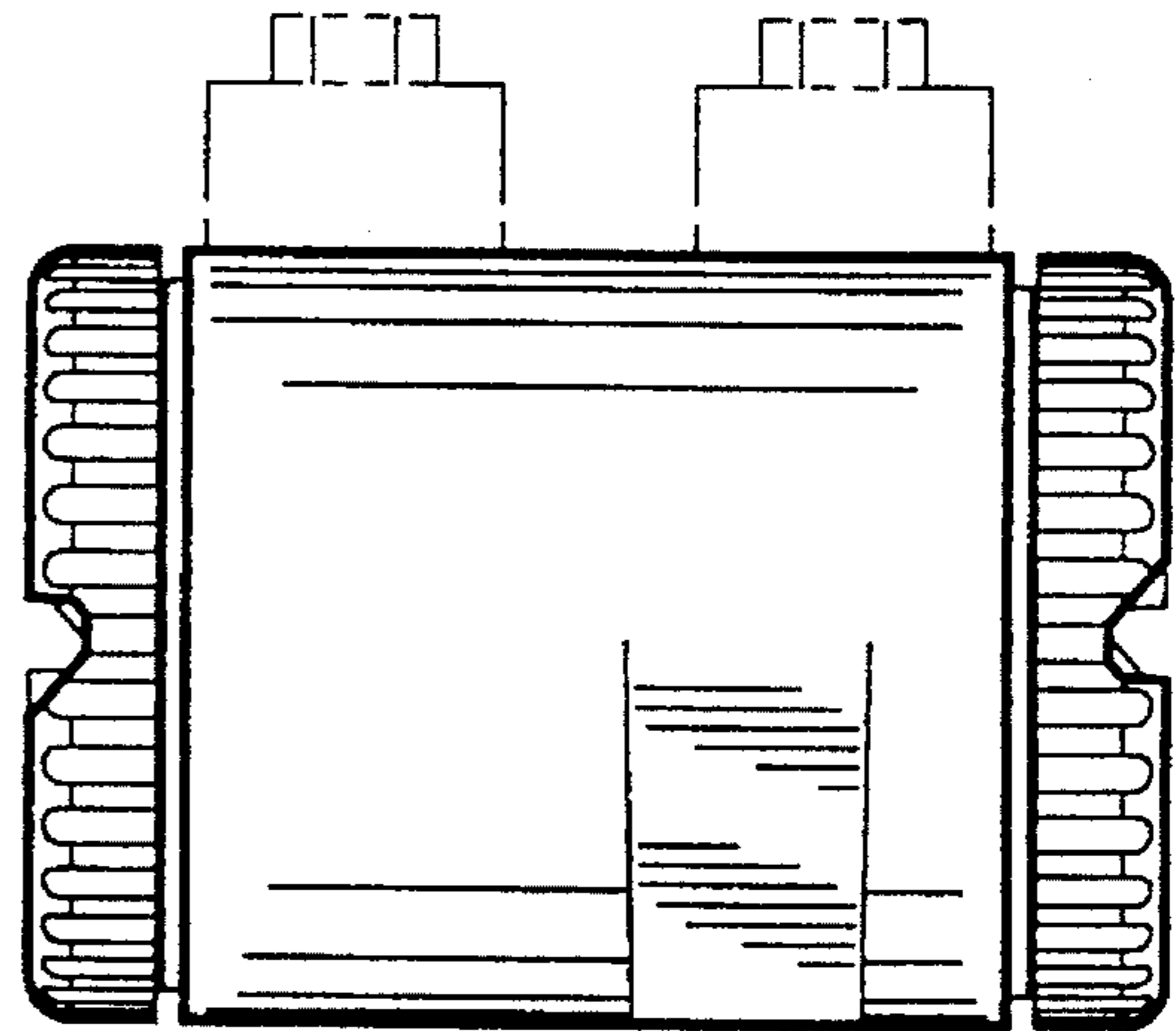


Fig. 2

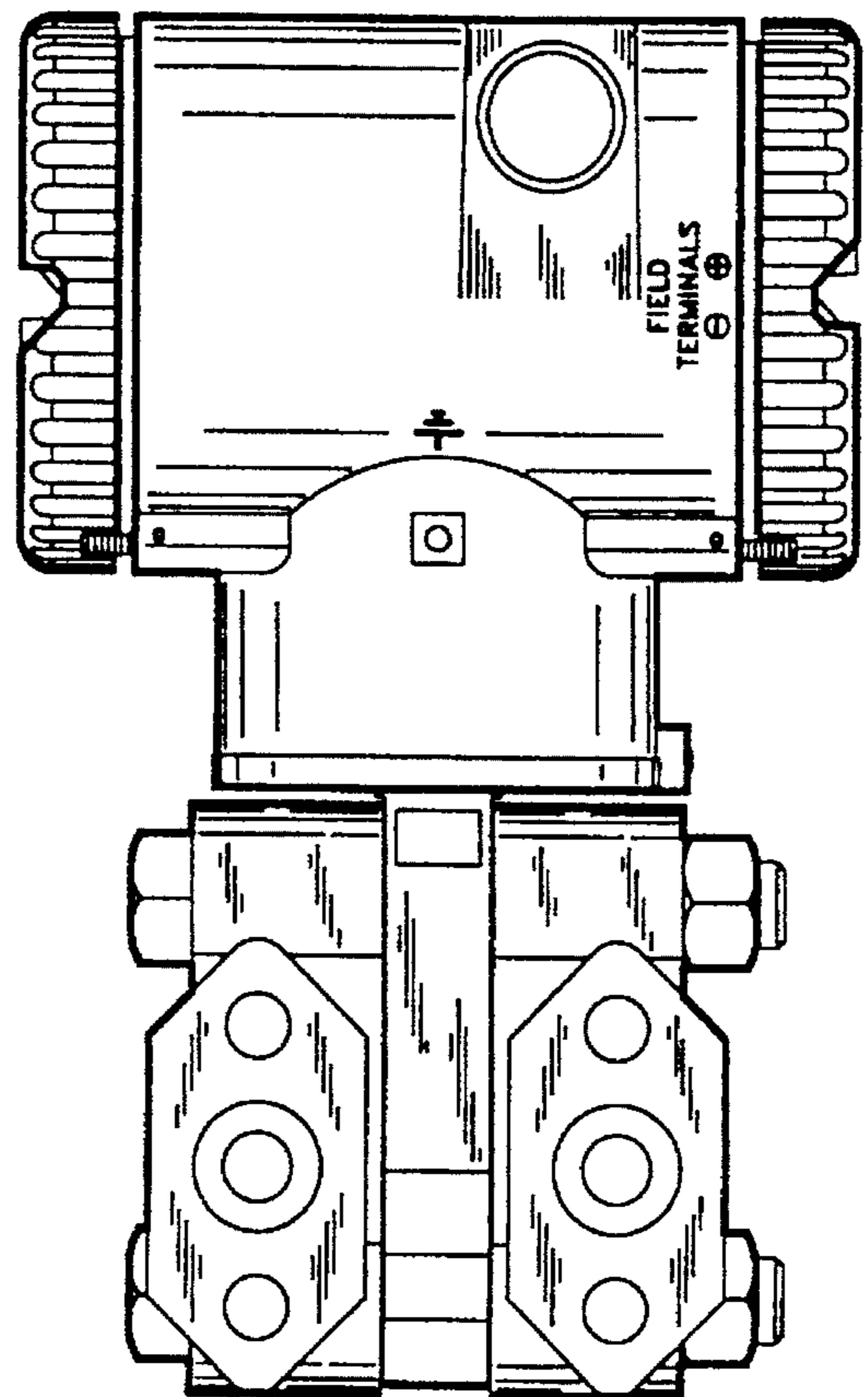


Fig. 3

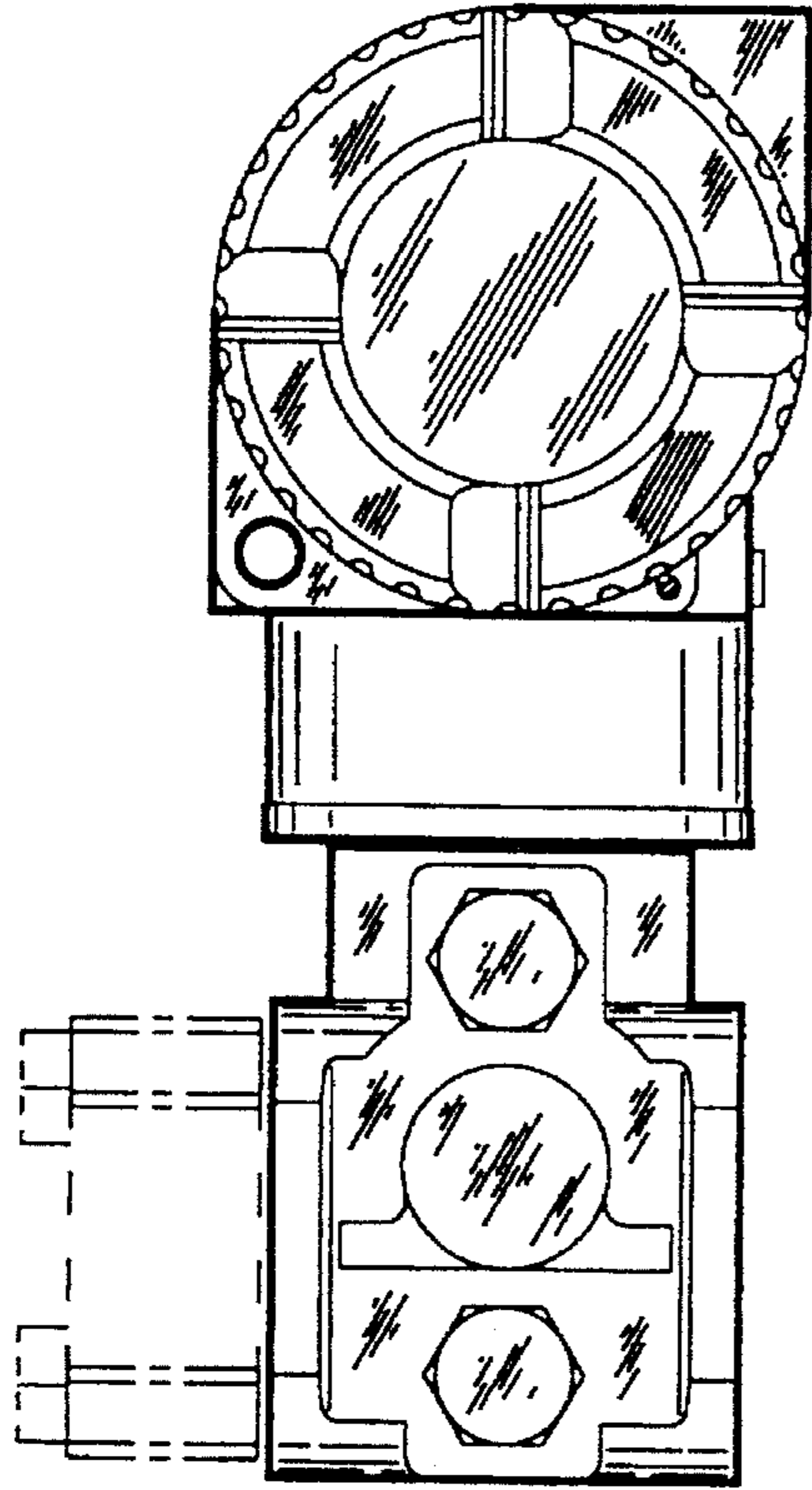


Fig. 5

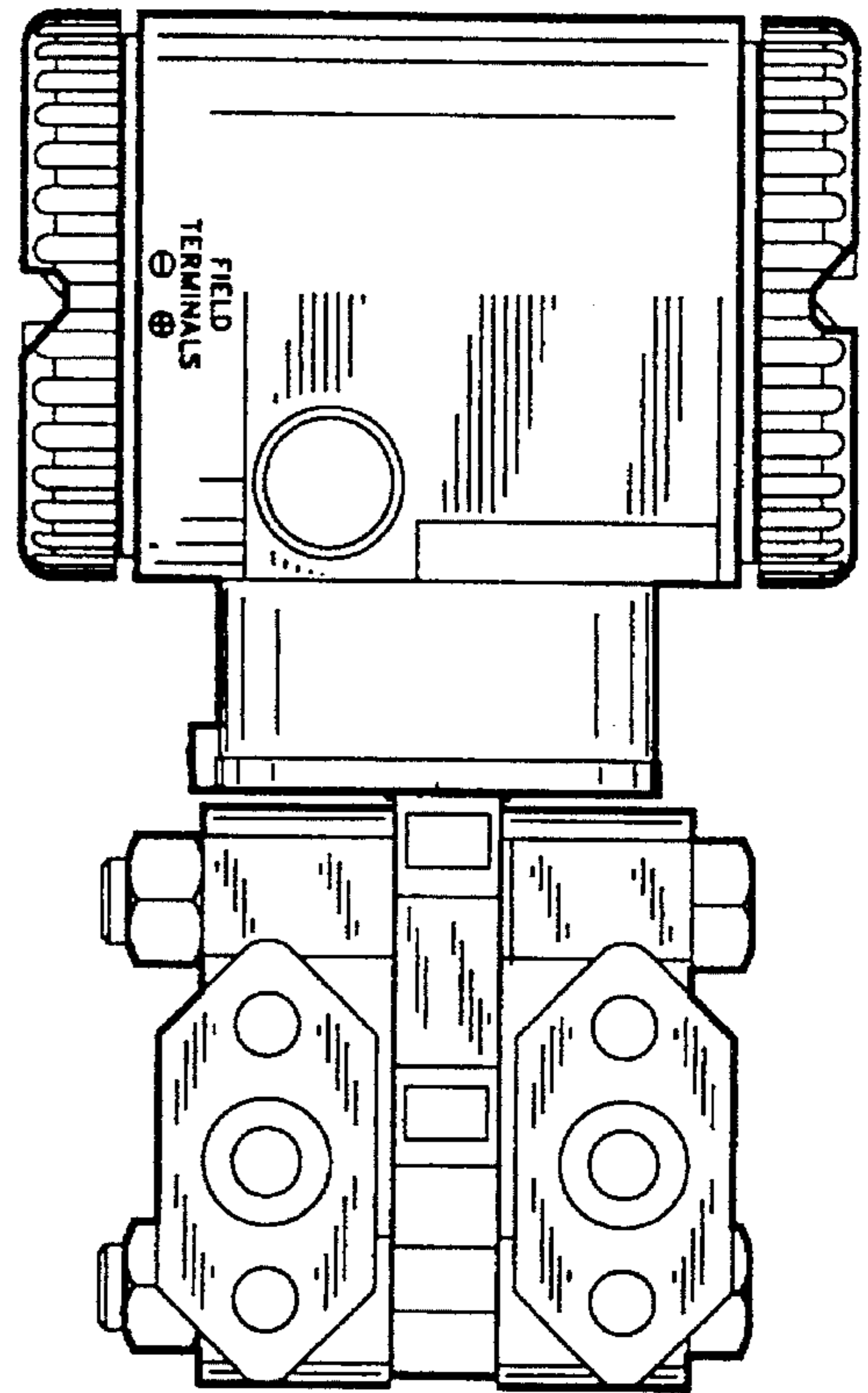


Fig. 6

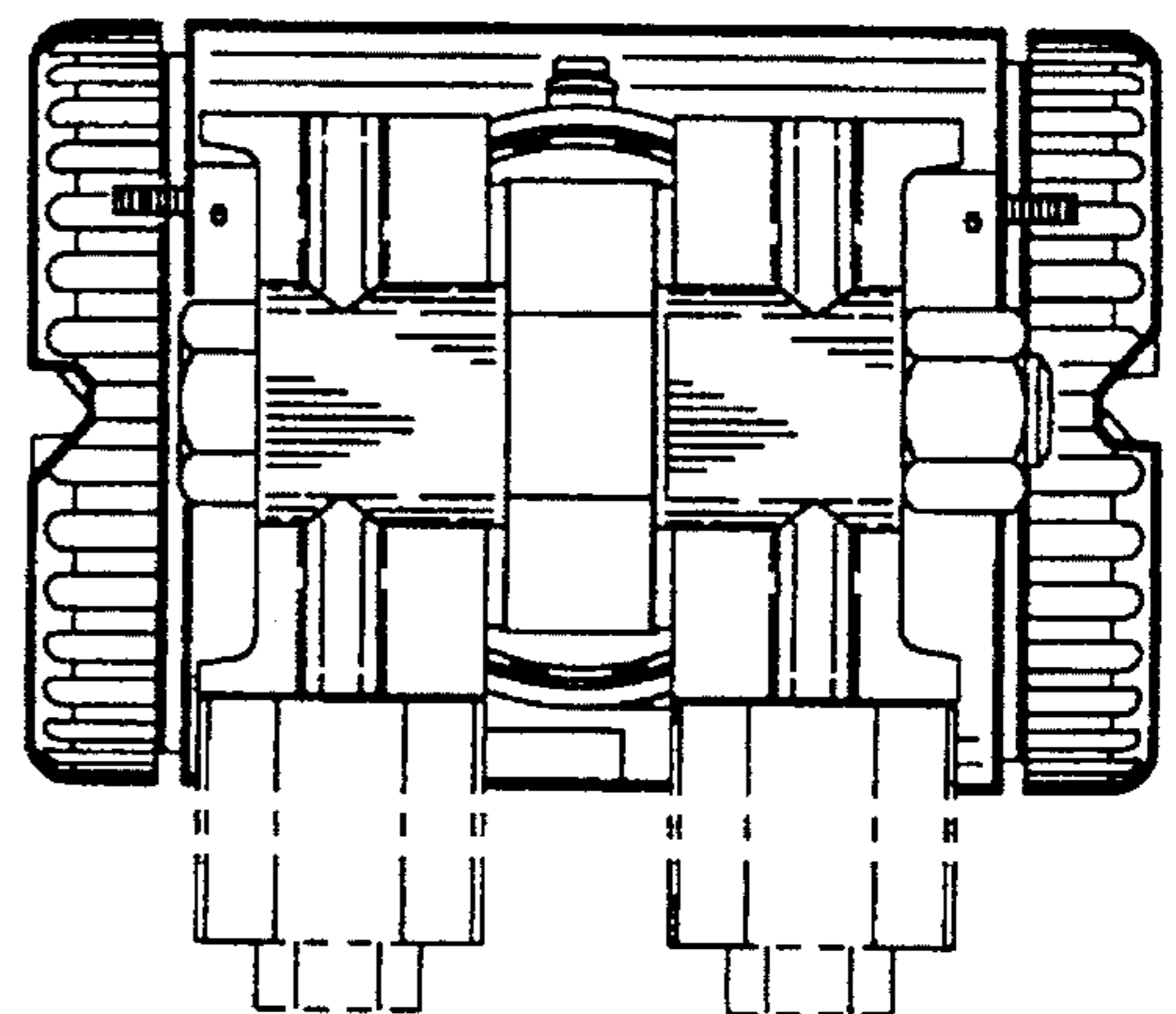


Fig. 7