



US00D365994S

United States Patent [19]
Brennan

[11] **Patent Number: Des. 365,994**
[45] **Date of Patent: **Jan. 9, 1996**

[54] **WRISTWATCH**

[75] Inventor: **Carl A. Brennan**, Toronto, Canada

[73] Assignee: **Bern Chronometer Works, Inc.**,
Canada

[**] Term: **14 Years**

[21] Appl. No.: **11,863**

[22] Filed: **Aug. 16, 1993**

[30] **Foreign Application Priority Data**

Feb. 17, 1993 [NL] Netherlands DM/025250

[52] **U.S. Cl.** **D10/32**

[58] **Field of Search** D10/32, 39, 30,
D10/122-126; D11/3, 5, 19-25, 93, 94;
63/3, 4, 9

[56] **References Cited**

U.S. PATENT DOCUMENTS

- D. 147,601 9/1947 Stern D10/126
- D. 327,023 6/1992 St. Dizier D10/30 X
- D. 350,071 8/1994 Giardiello D10/32

Primary Examiner—Alan P. Douglas
Assistant Examiner—Cathron B. Matta
Attorney, Agent, or Firm—Ladas & Parry

[57] **CLAIM**

The ornamental design for a wristwatch, as shown and described.

DESCRIPTION

FIG. 1 is a perspective view of the wristwatch showing my new design;

FIG. 2 is a top plan view thereof;

FIG. 3 is a bottom plan view of the upper portion thereof;

FIG. 4 is a right side elevational view thereof;

FIG. 5 is a left side elevational view thereof;

FIG. 6 is a front elevational view thereof, only the upper portion of the bracelet being shown;

FIG. 7 is a rear elevational view thereof, only the upper portion of the bracelet being shown;

FIG. 8 is a perspective view of a second embodiment of the wristwatch showing my new design;

FIG. 9 is a top plan view thereof;

FIG. 10 is a bottom plan view thereof, only the upper portion of the bracelet being shown;

FIG. 11 is a right side elevational view thereof;

FIG. 12 is a left side elevational view thereof;

FIG. 13 is a front elevational view thereof, only the upper portion of the bracelet being shown;

FIG. 14 is a rear elevational view thereof, only the upper portion of the bracelet being shown;

FIG. 15 is a perspective view of a third embodiment of the wristwatch showing my new design;

FIG. 16 is a top plan view thereof;

FIG. 17 is a bottom plan view thereof, only the upper portion of the bracelet being shown;

FIG. 18 is a right side elevational view thereof;

FIG. 19 is a left side elevational view thereof;

FIG. 20 is a front elevational view thereof, only the upper portion of the bracelet being shown;

FIG. 21 is a rear elevational view thereof, only the upper portion of the bracelet being shown;

FIG. 22 is an enlarged perspective view of the rear of the bracelet of the embodiment of FIGS. 1-7, the embodiment of FIGS. 8-14, and the embodiment of FIGS. 15-21;

FIG. 23 is a top plan view of an enlarged detail of the wristwatch, illustrating a special design of the minute and second hands and the hour marker;

FIG. 24 is a perspective view thereof showing the minute hand and the hour marker; and,

FIG. 25 is a right side elevational view of FIG. 23.

1 Claim, 16 Drawing Sheets





FIG.1.

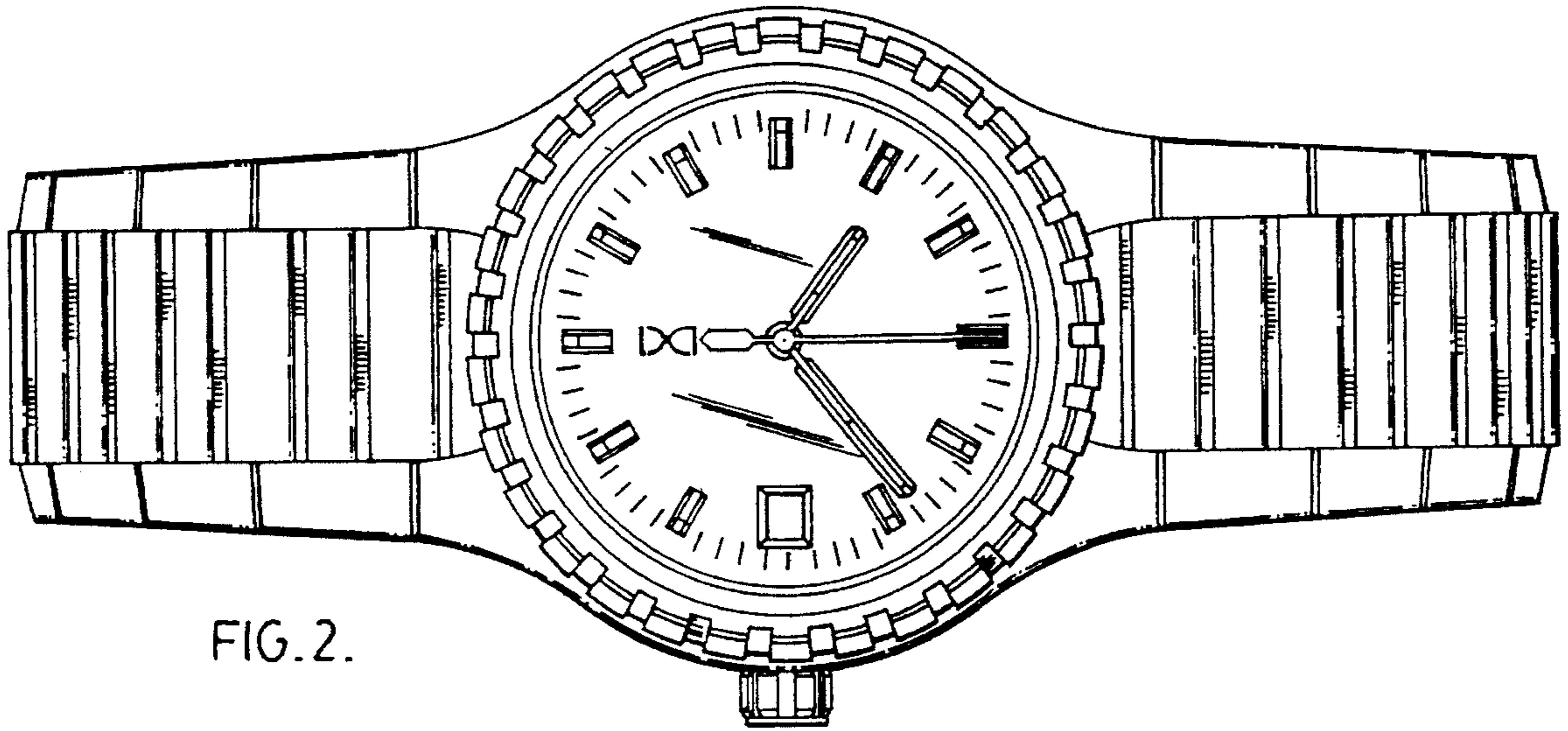


FIG. 2.

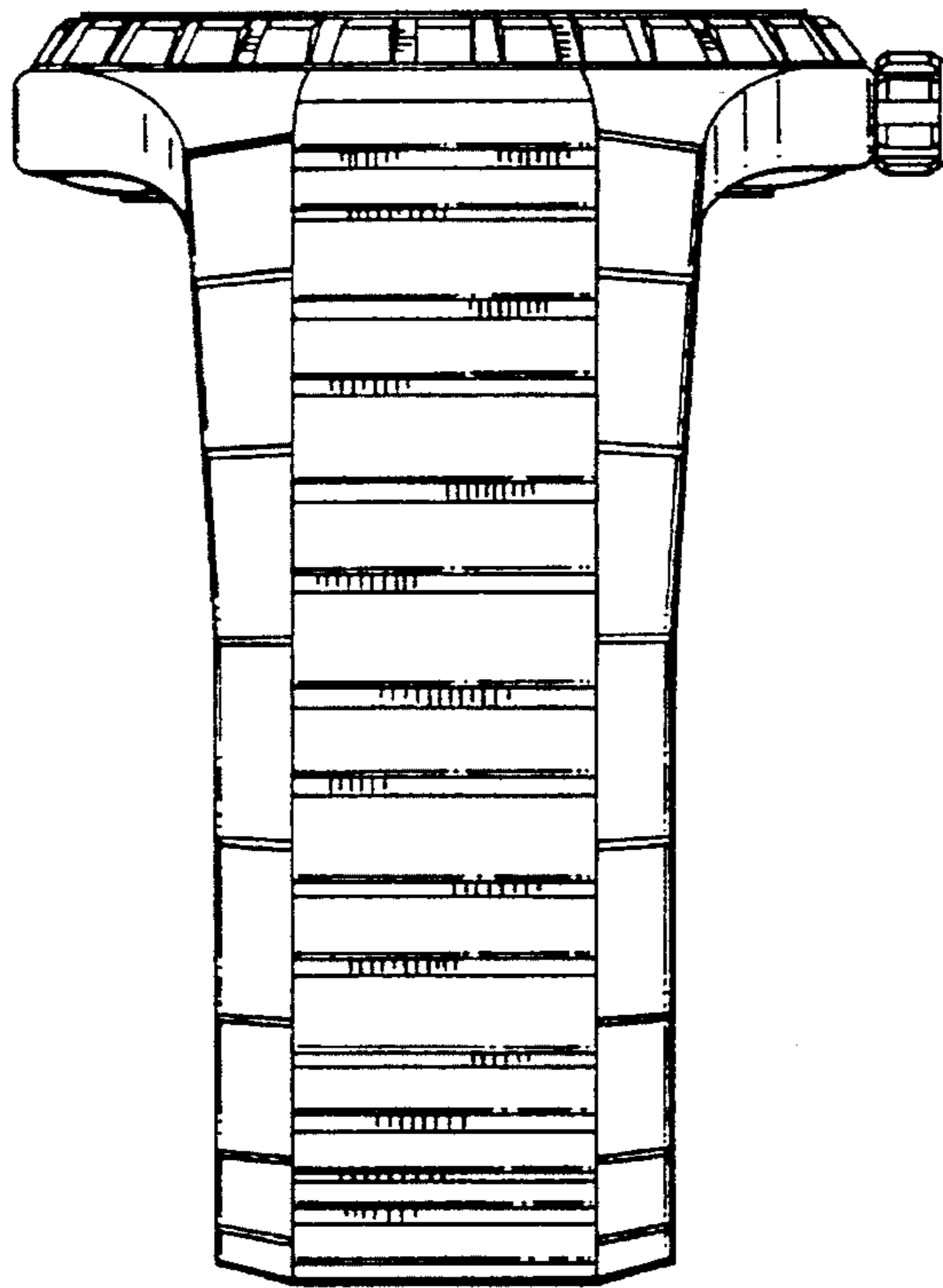


FIG. 6.

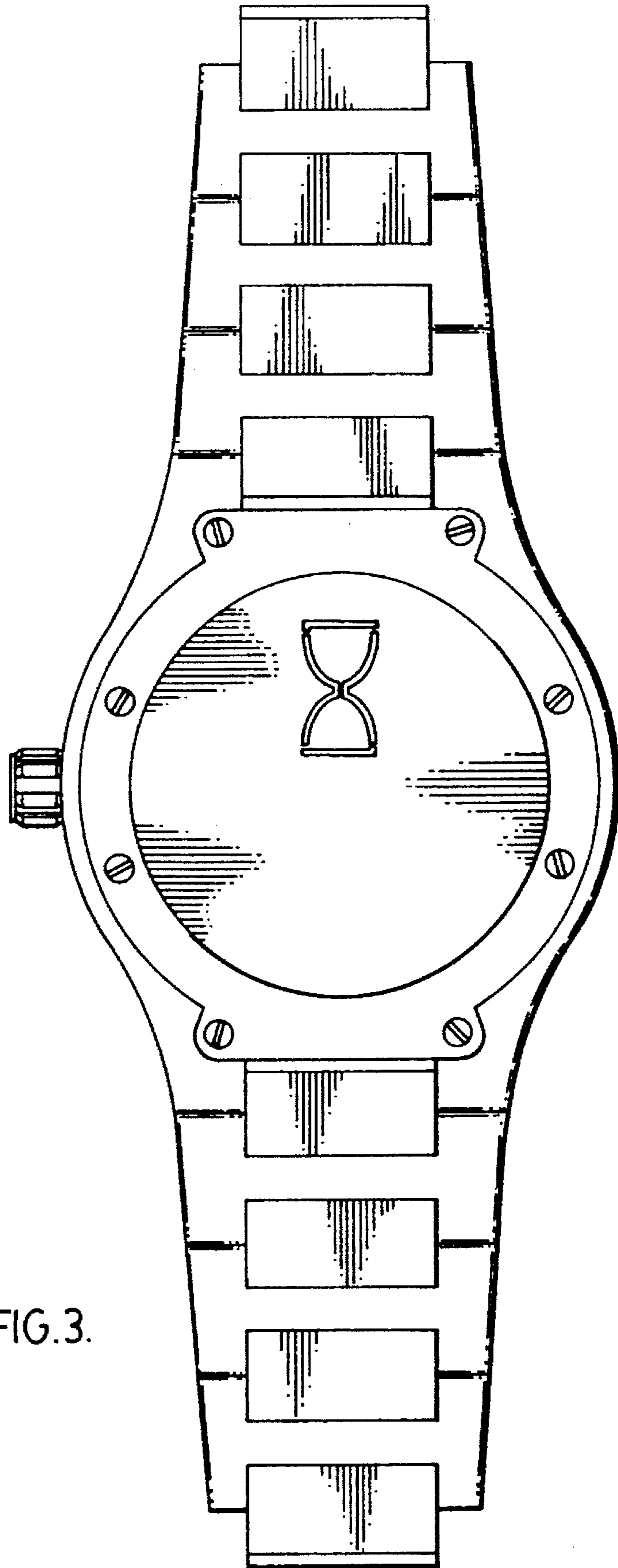


FIG. 3.

FIG. 4.

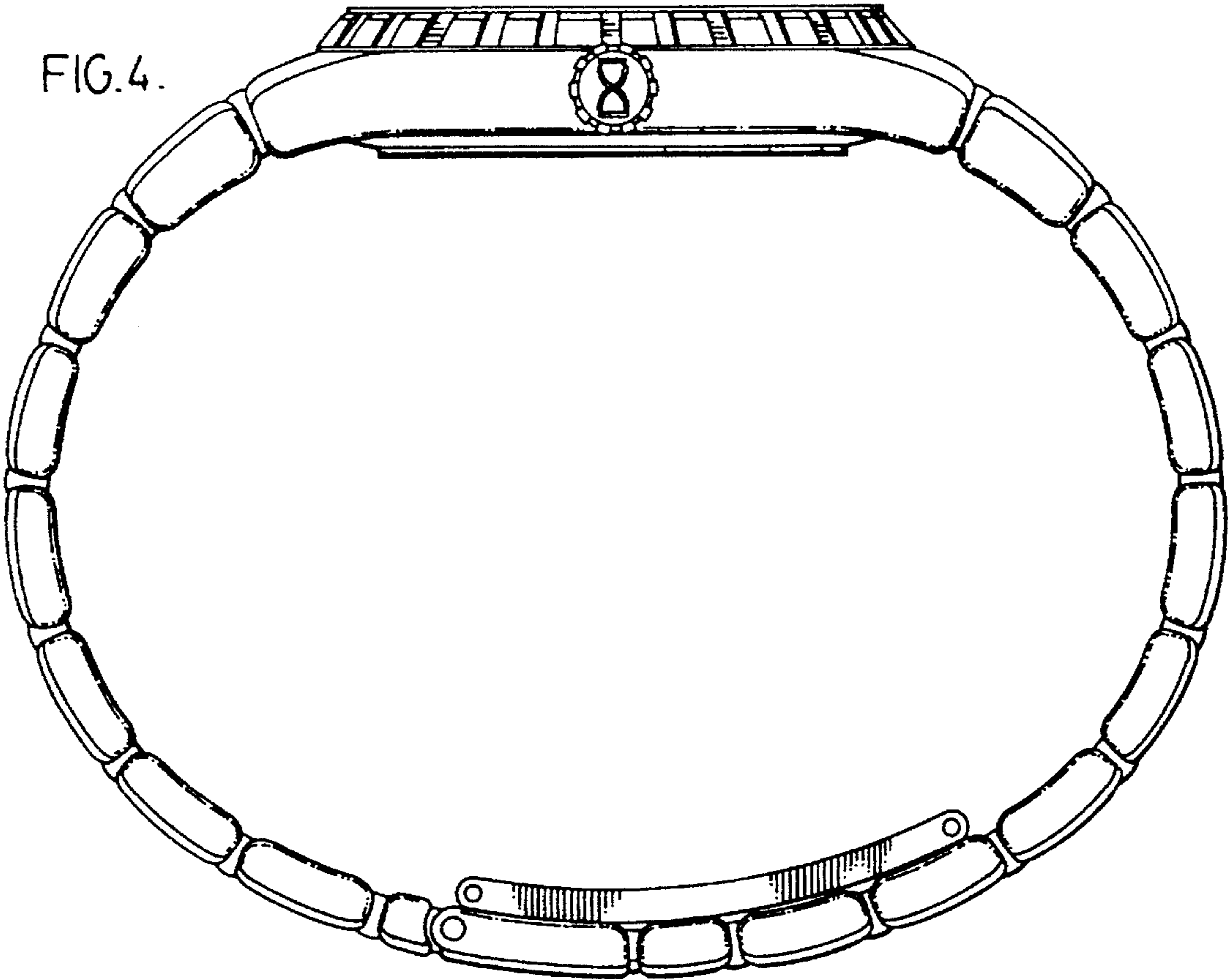
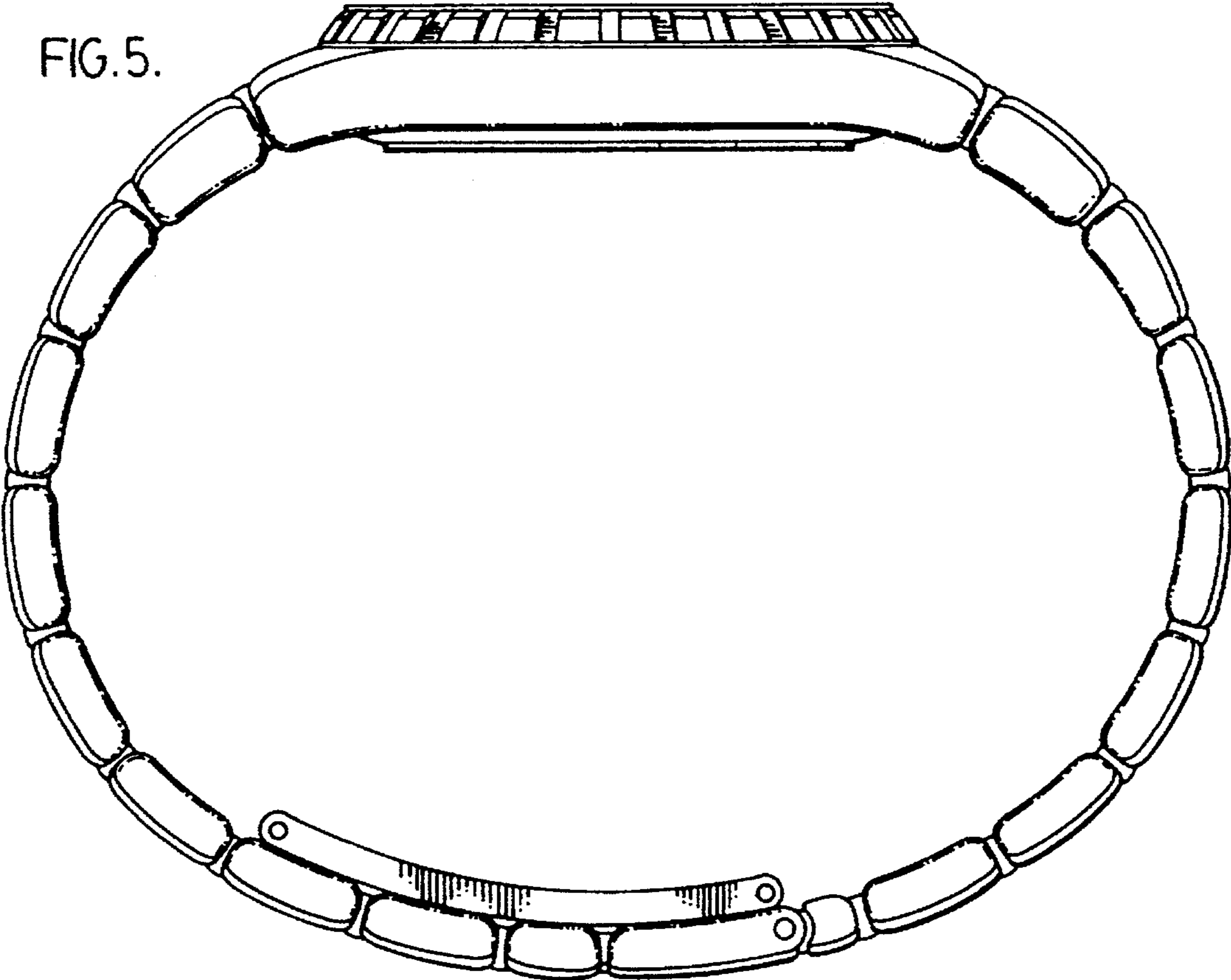


FIG. 5.



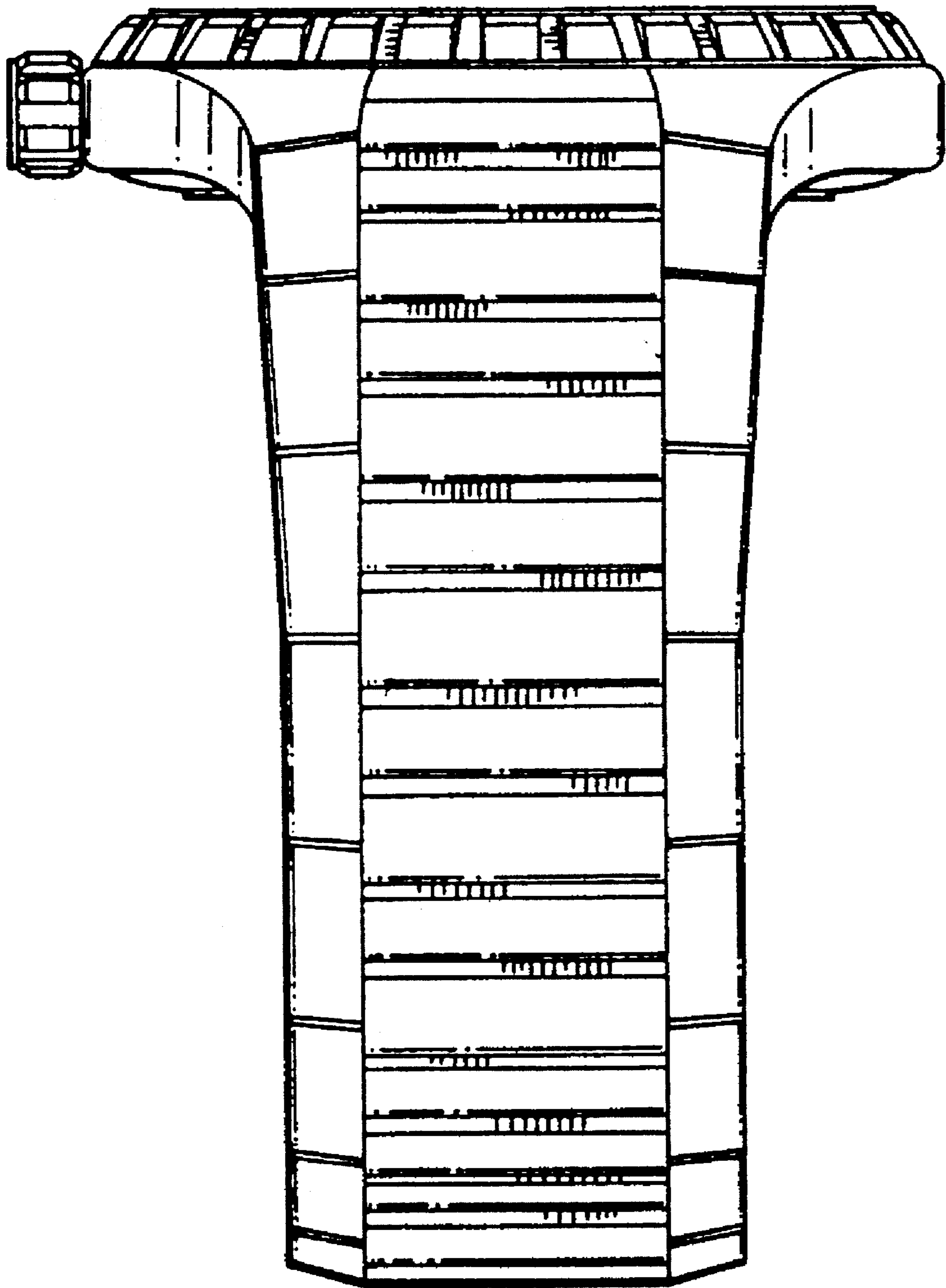


FIG. 7.



FIG. 8.

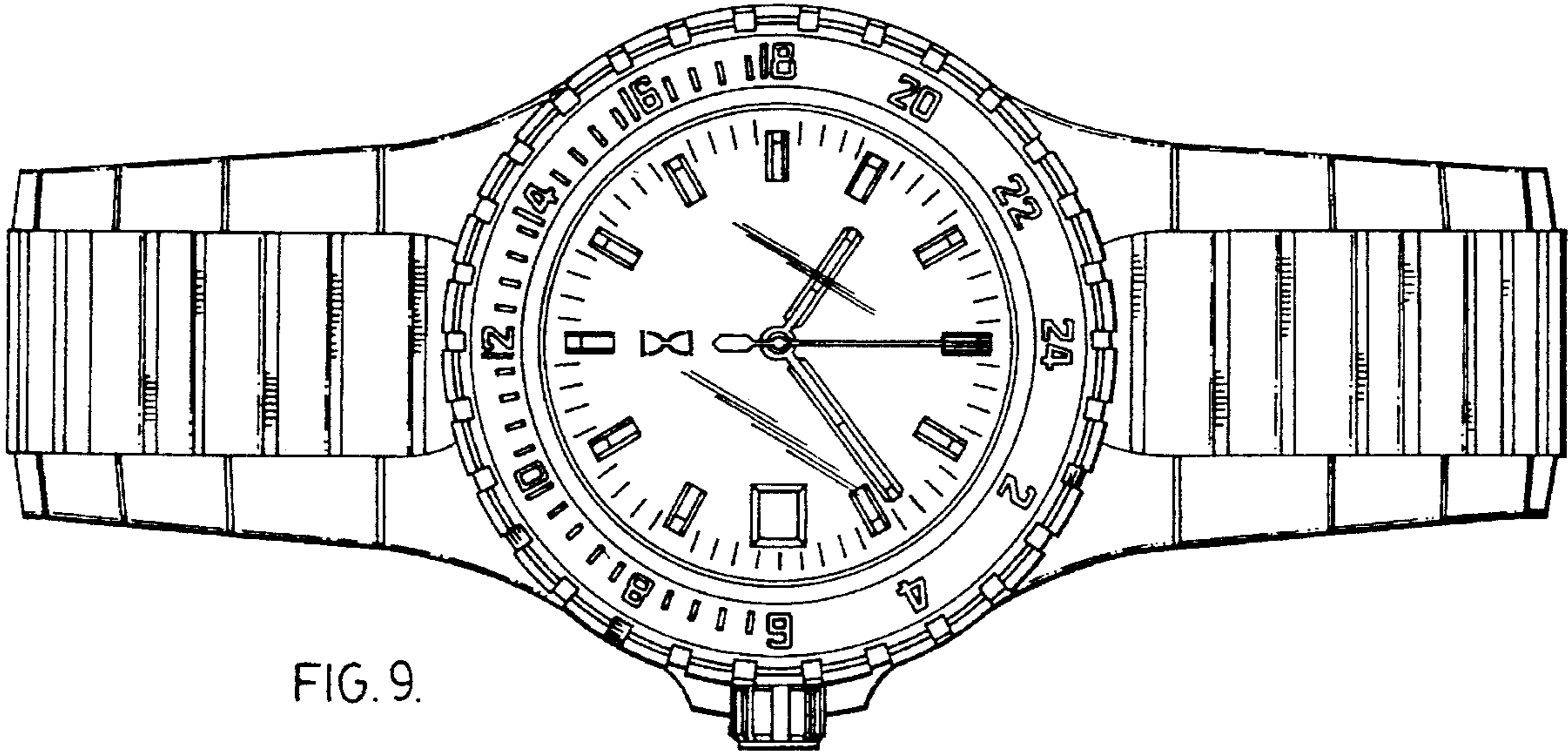


FIG. 9.

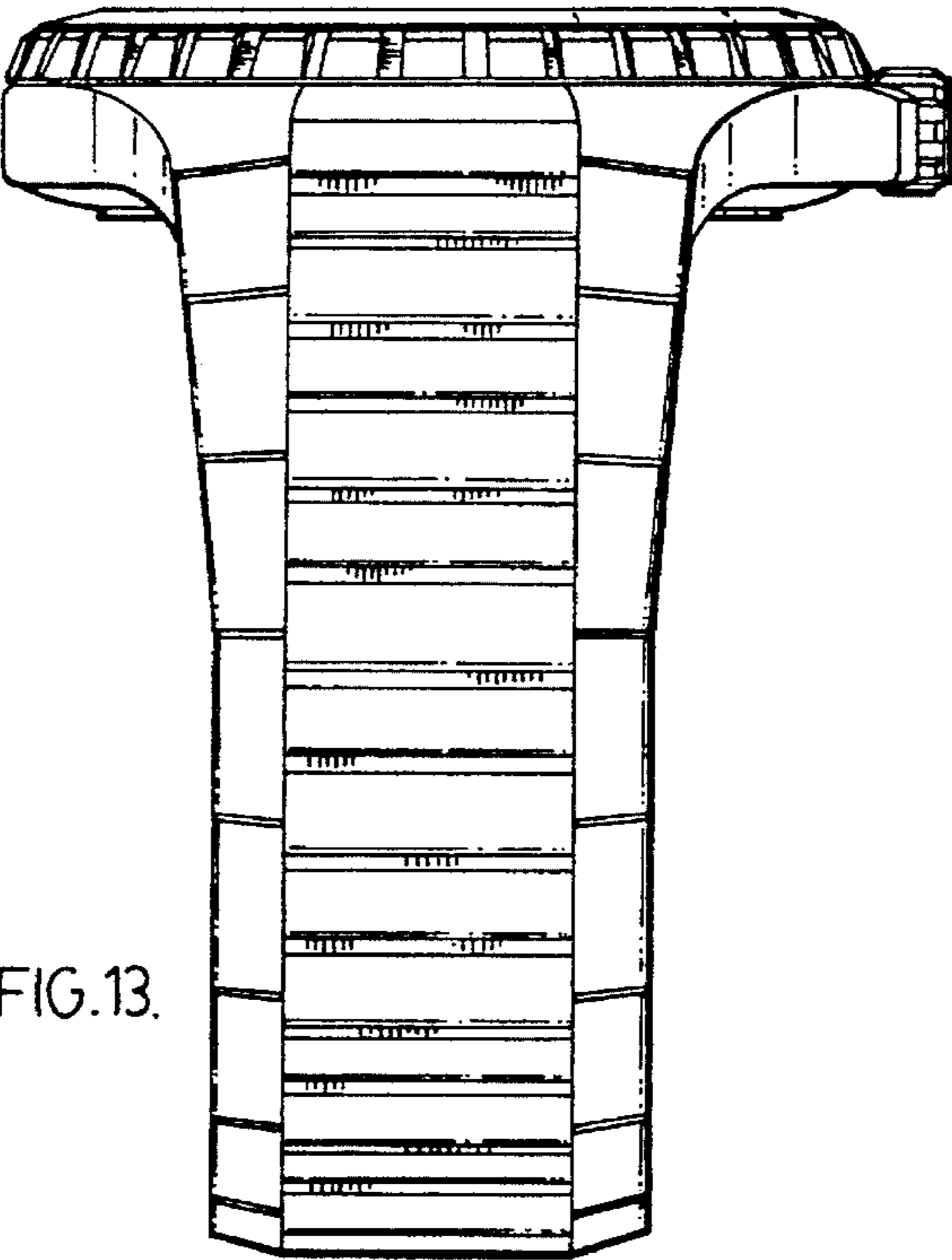


FIG. 13.

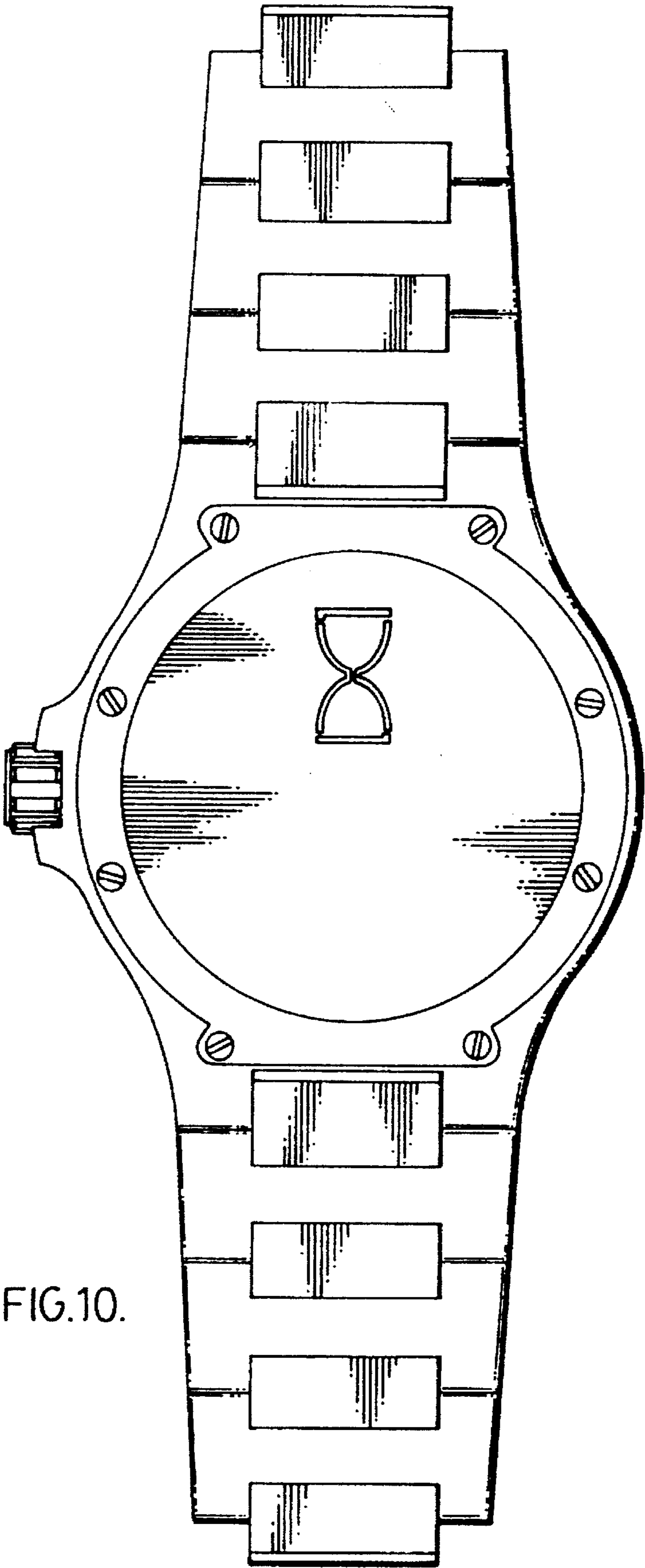
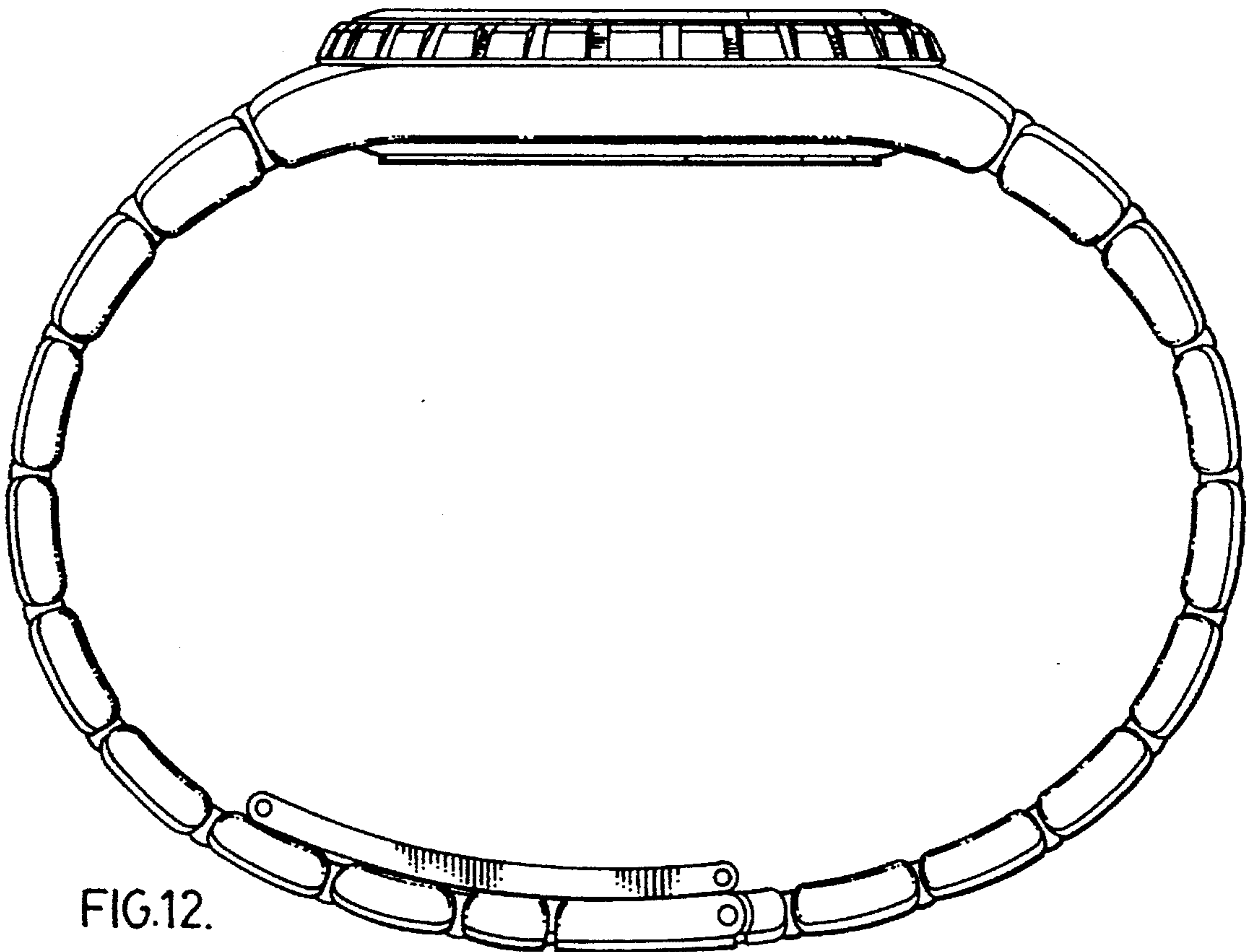
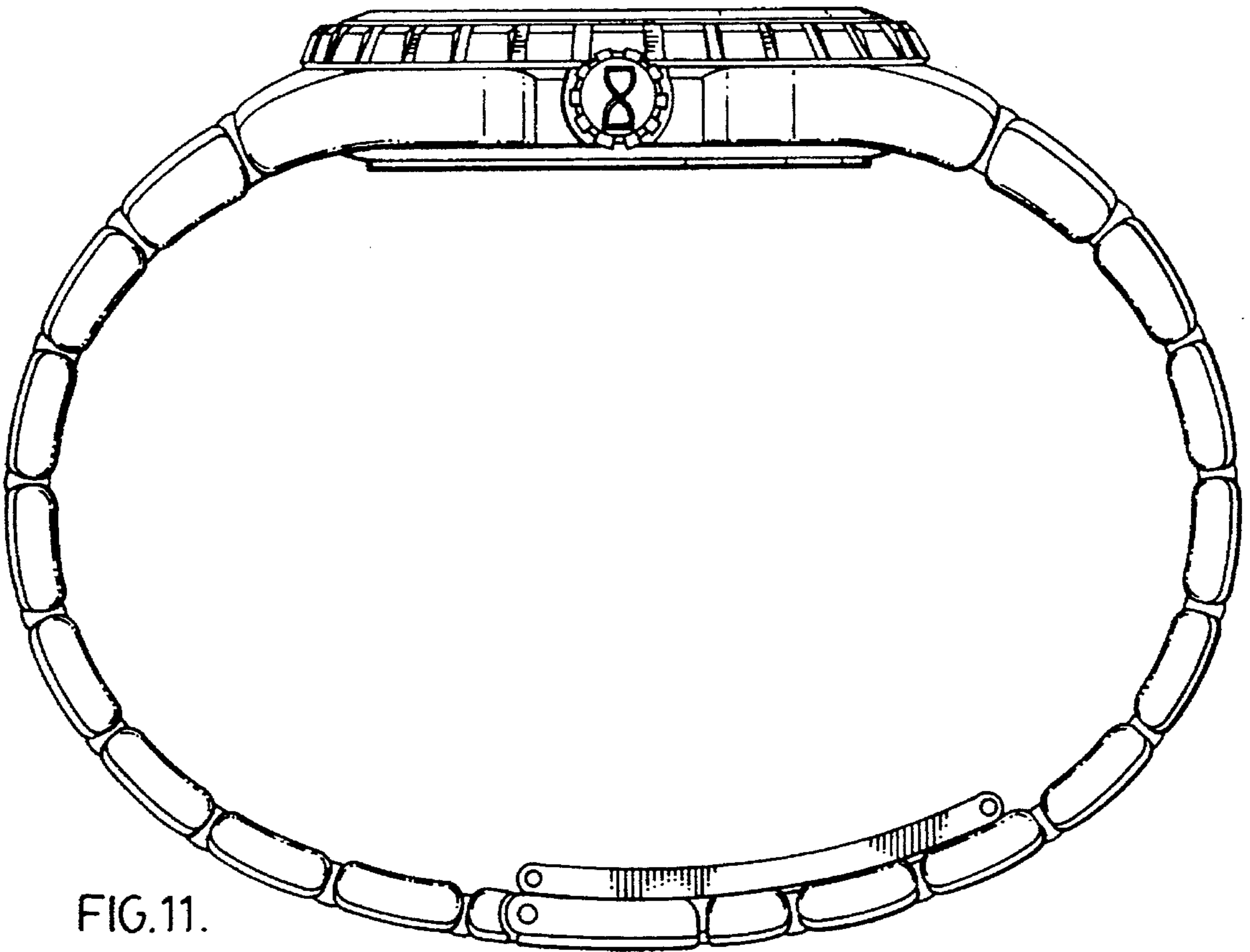


FIG.10.



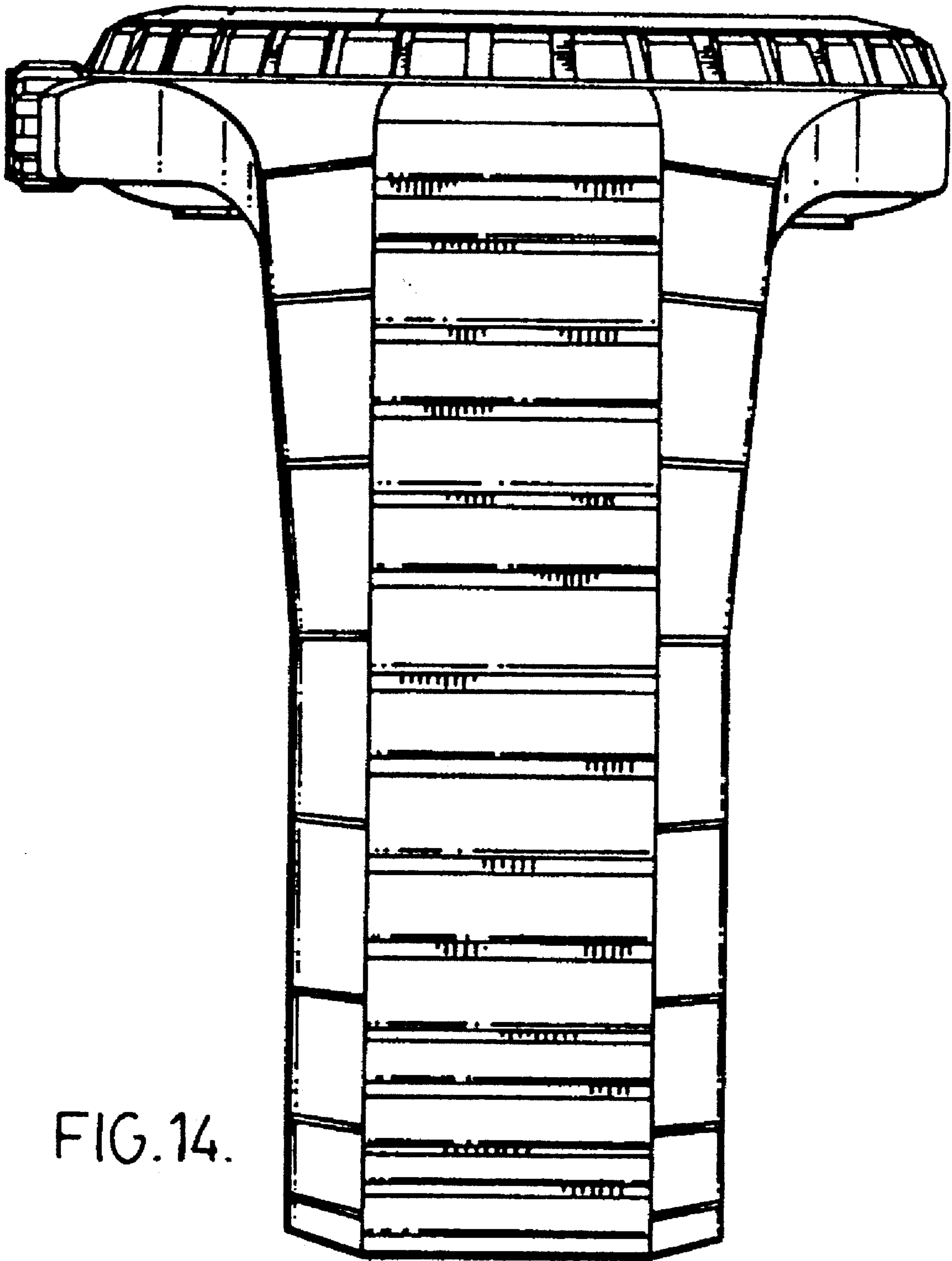


FIG. 14.

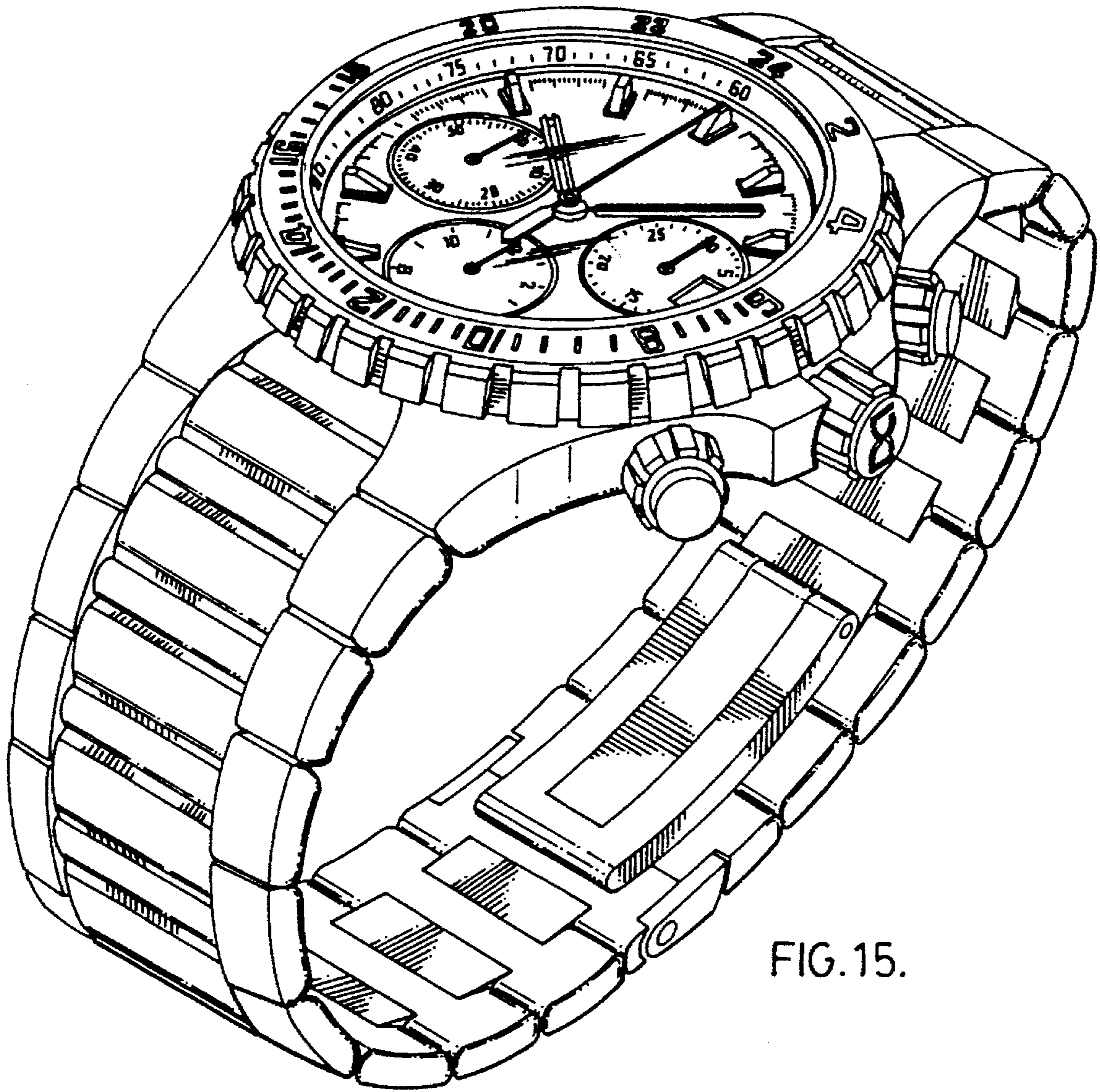


FIG. 15.



FIG. 16.

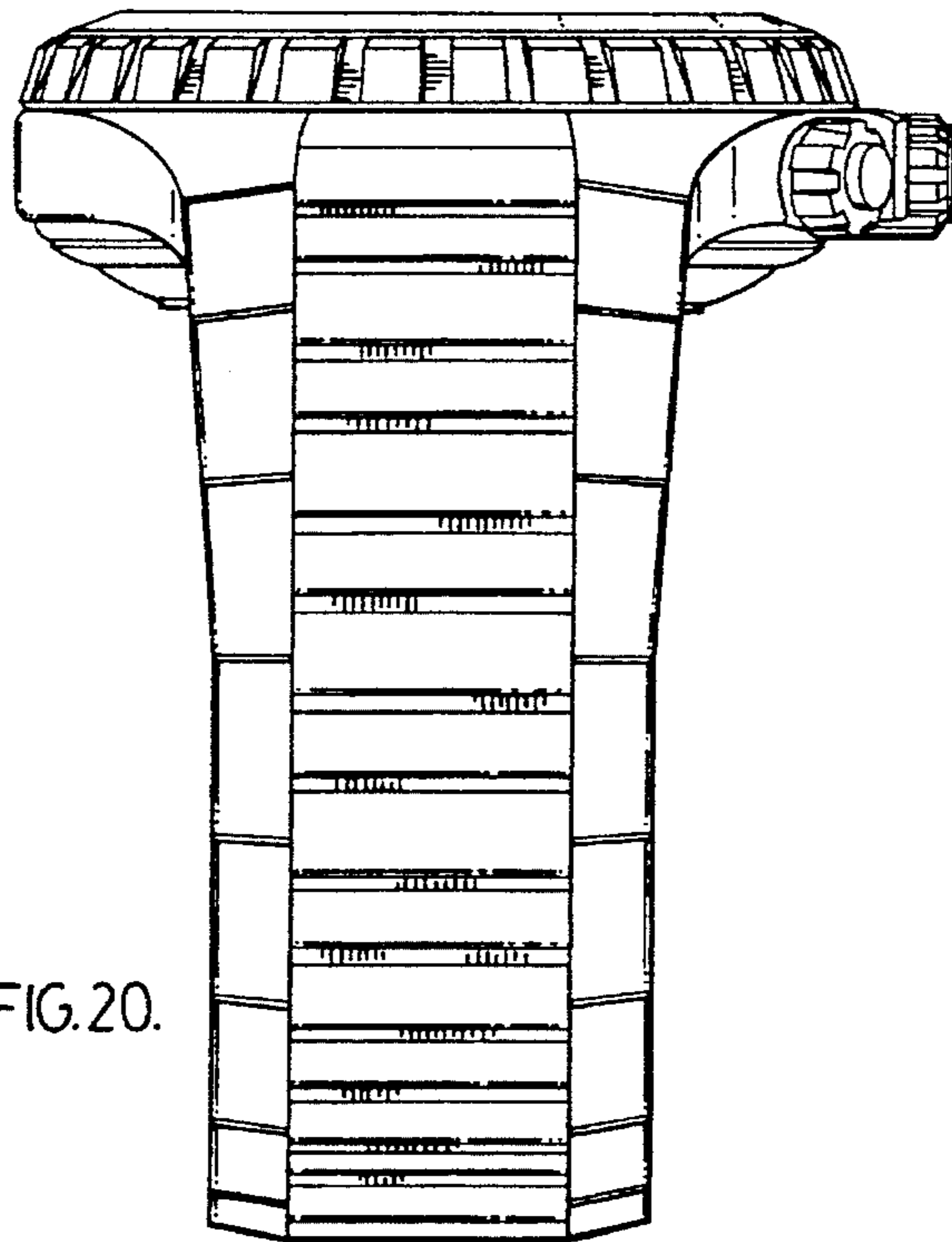


FIG. 20.

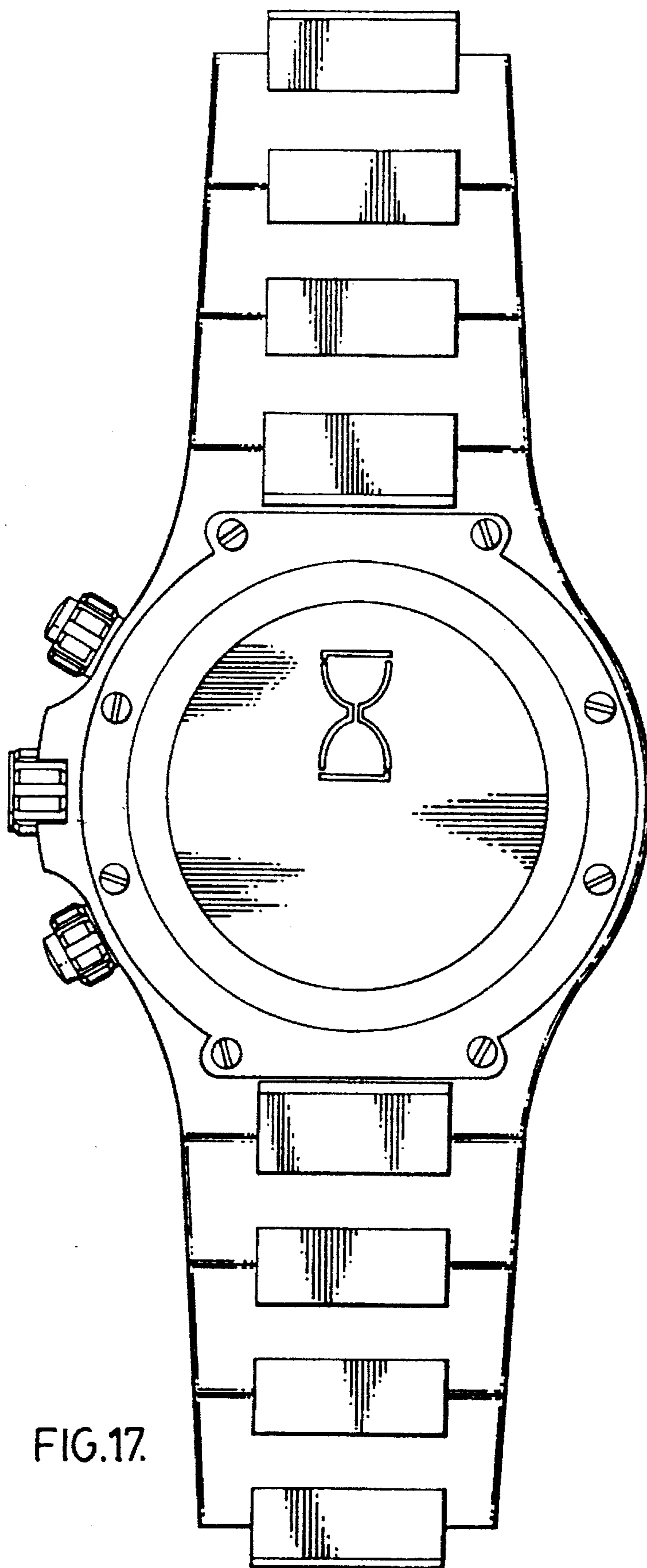
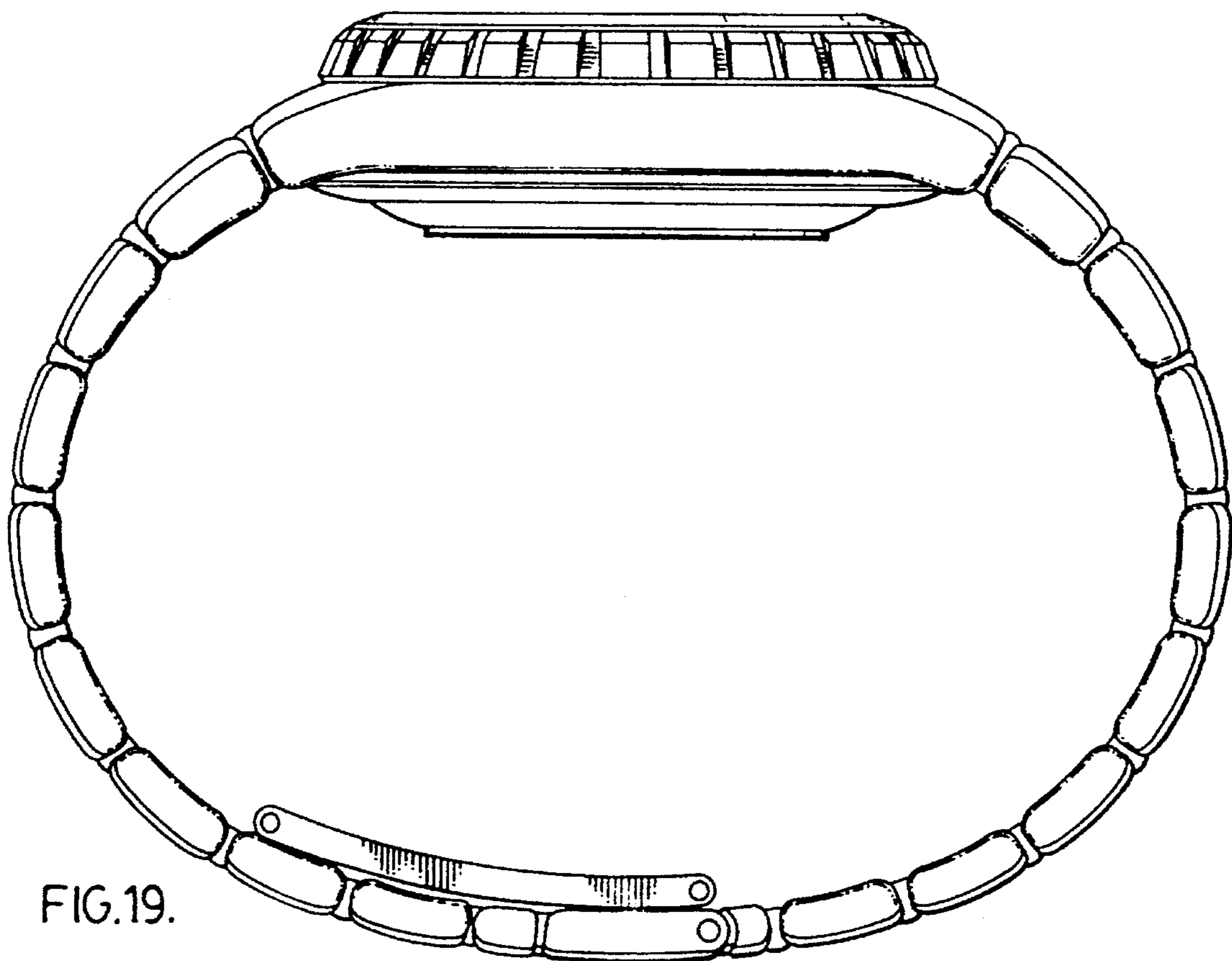
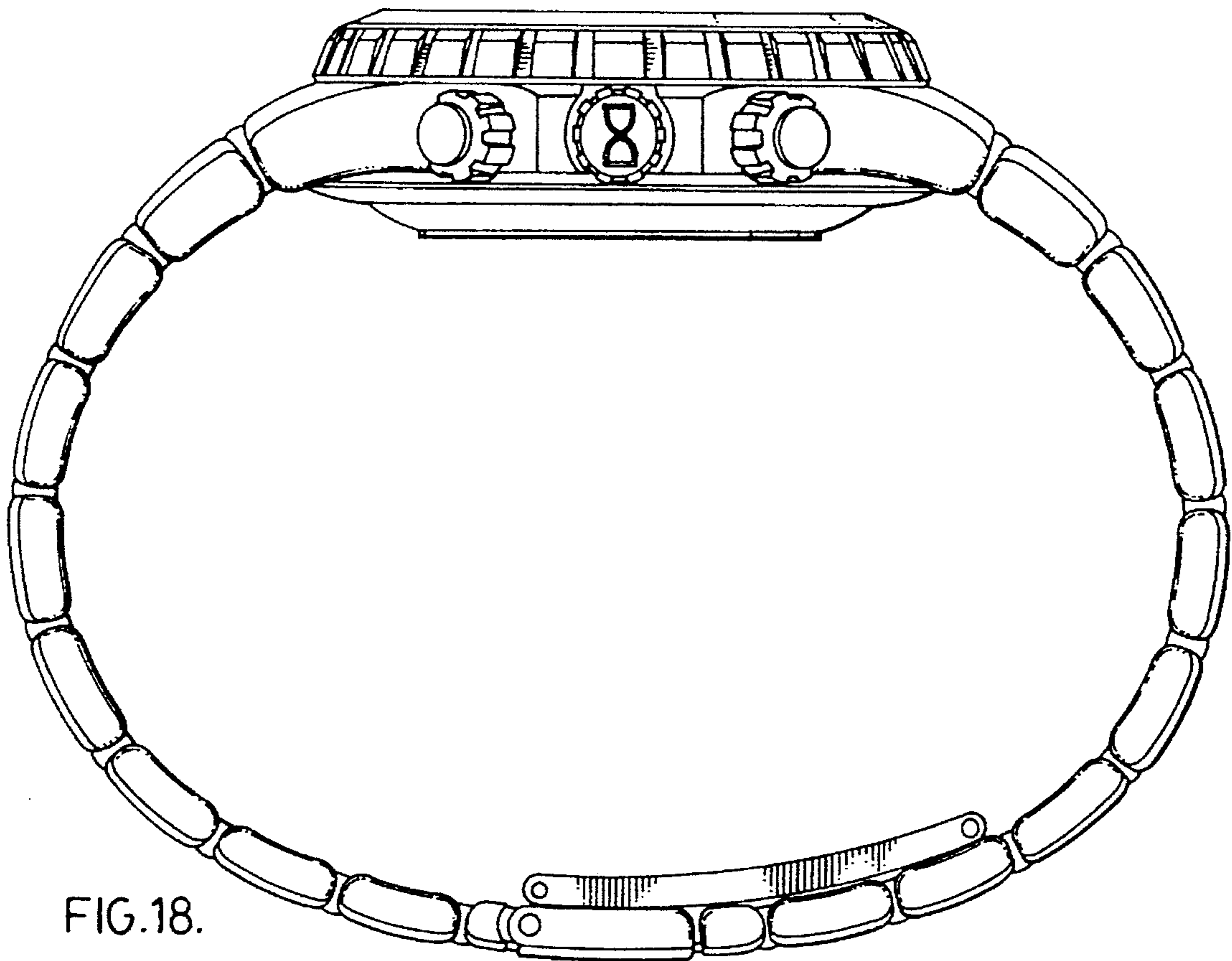


FIG.17.



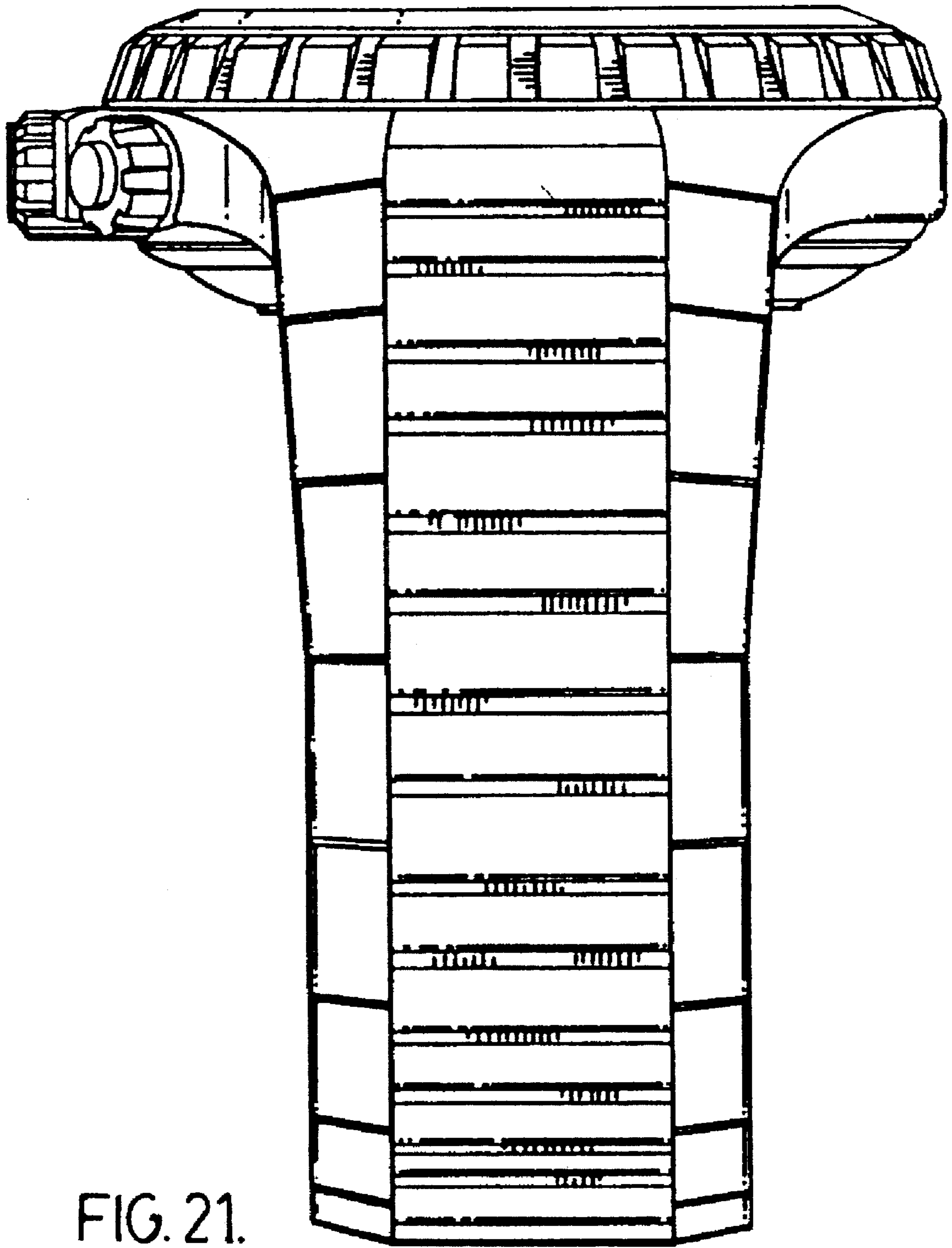


FIG. 21.

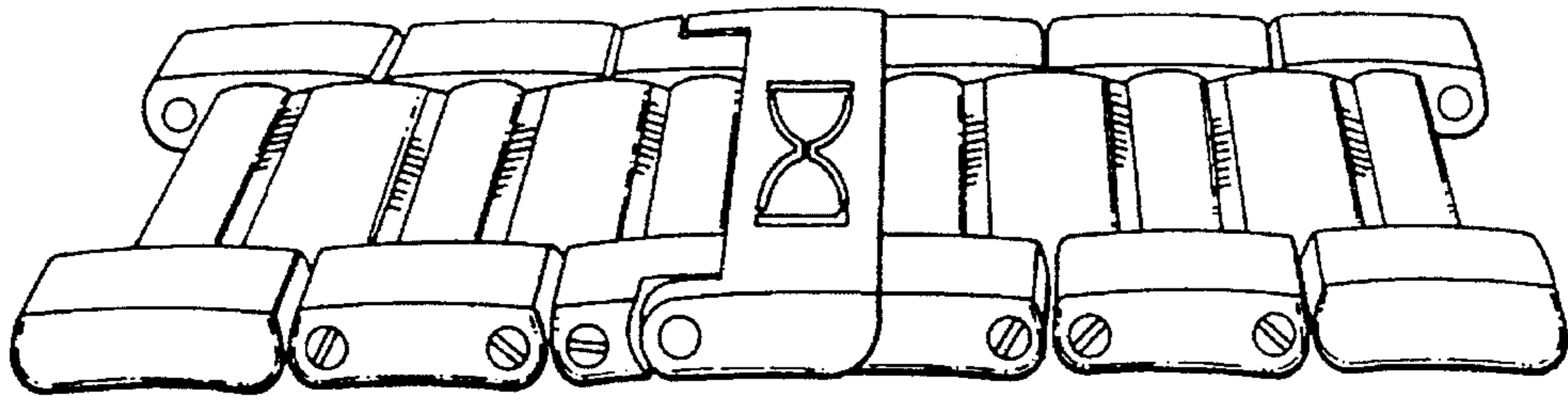


FIG. 22.

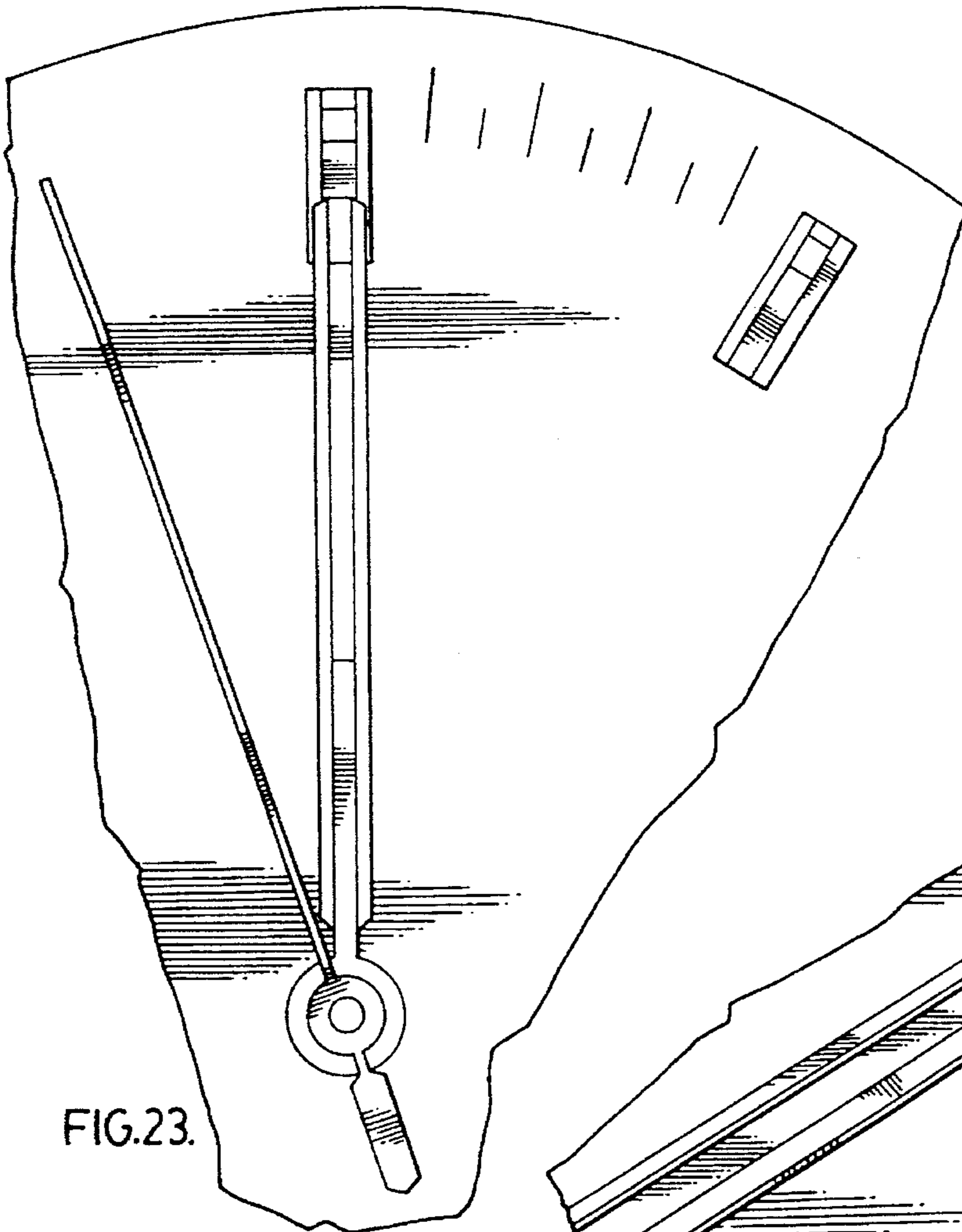


FIG. 23.

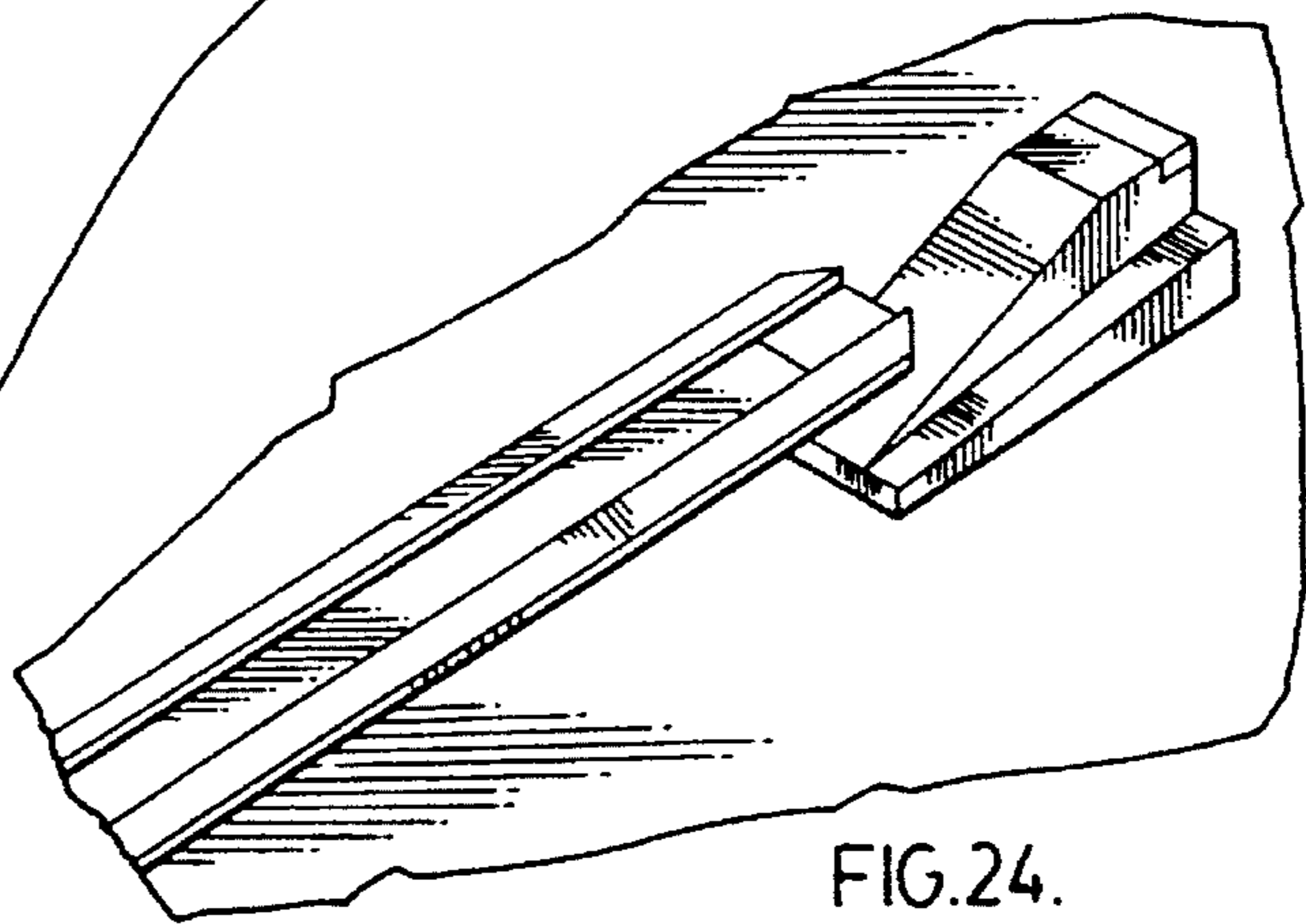


FIG. 24.

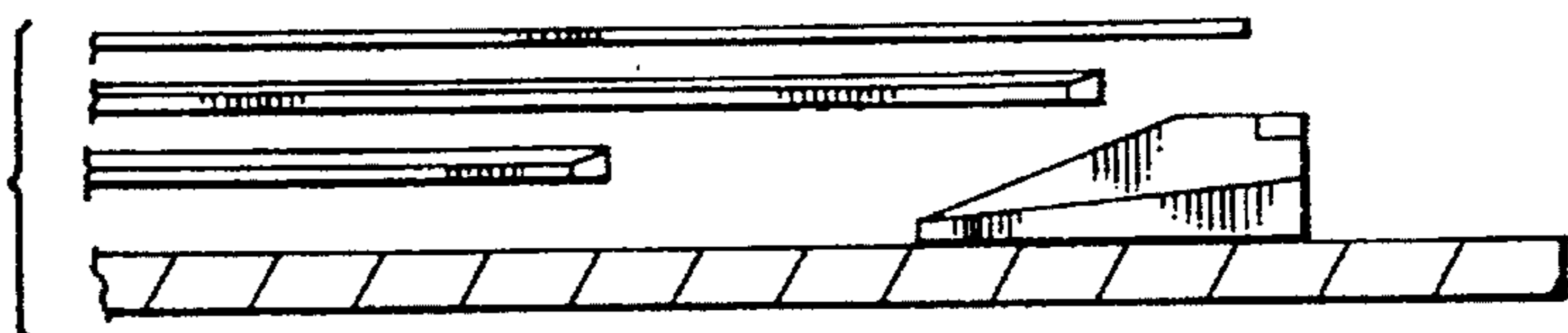


FIG. 25.

UNITED STATES PATENT AND TRADEMARK OFFICE
CERTIFICATE OF CORRECTION

PATENT NO. : Des. 365,994
DATED : January 9, 1996
INVENTOR(S) : Carl A. Brennan

It is certified that error appears in the above—identified patent and that said Letters Patent is hereby corrected as shown below:

Section [30] Foreign Application Priority Data

Delete "[NL] Netherlands" and insert --Hague Union--.

Signed and Sealed this
Twenty-third Day of April, 1996

Attest:



BRUCE LEHMAN

Attesting Officer

Commissioner of Patents and Trademarks