



US00D365992S

United States Patent [19]
Trussardi

[11] **Patent Number:** **Des. 365,992**

[45] **Date of Patent:** ****Jan: 9, 1996**

[54] **COMBINED BOTTLE AND CLOSURE**

[75] Inventor: **Nicola Trussardi**, Milan, Italy

[73] Assignee: **Trussardi S.p.A.**, Milan, Italy

[**] Term: **14 Years**

[21] Appl. No.: **18,294**

[22] Filed: **Feb. 3, 1994**

[52] **U.S. Cl.** **D9/544**

[58] **Field of Search** D9/544, 545, 300,
D9/558, 517, 554, 573, 574, 562, 567;
D28/91.1; 215/1 R, 1 C

[56] **References Cited**

U.S. PATENT DOCUMENTS

- D. 74,418 2/1928 D'Escayrac D9/544
- D. 78,195 4/1929 Delaize D9/517
- D. 82,824 12/1930 Hobe D9/544 X
- D. 272,991 3/1984 Thompson D9/545 X

OTHER PUBLICATIONS

- Beauty Fashion, Oct. 1979, p. 21, Calvin Klein perfume bottle.
- Beauty Fashion, Jul. 1986, p. 115, Teatro Alla Scala perfume bottle.

No. DM/013, 318, Apr. 10, 1989, International Designs Bulletin, p. 1714.

Primary Examiner—Lucy Lieberman
Attorney, Agent, or Firm—Young & Thompson

[57] **CLAIM**

The ornamental design for a combined bottle and closure, as shown and described.

DESCRIPTION

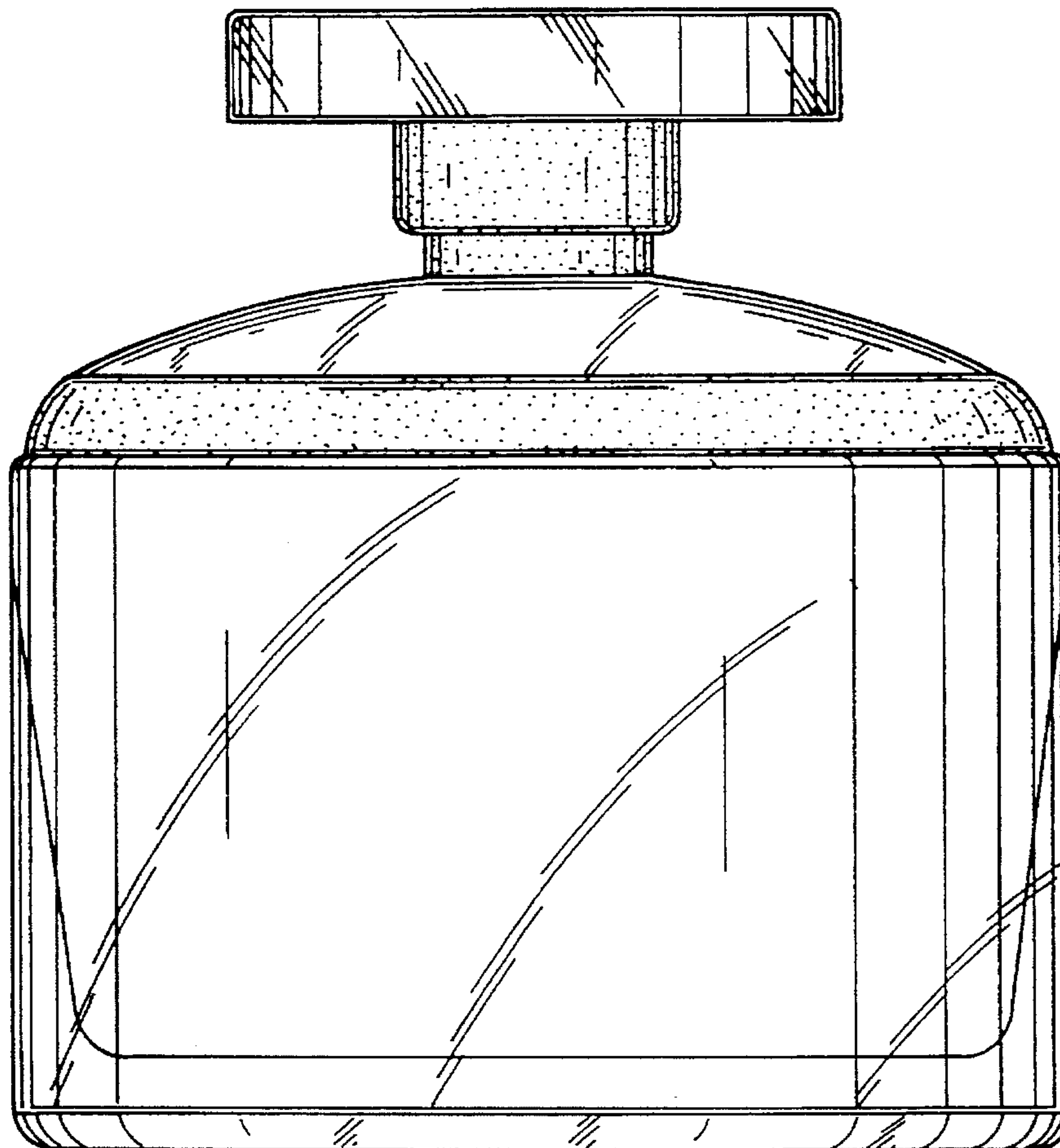
FIG. 1 is a front elevationl view of the combined bottle and closure (the rear view is identical);

FIG. 2 is a side view from the left of FIG. 1, the view from the right being identical;

FIG. 3 is a top plan view;

FIG. 4 is a bottom view.

1 Claim, 1 Drawing Sheet



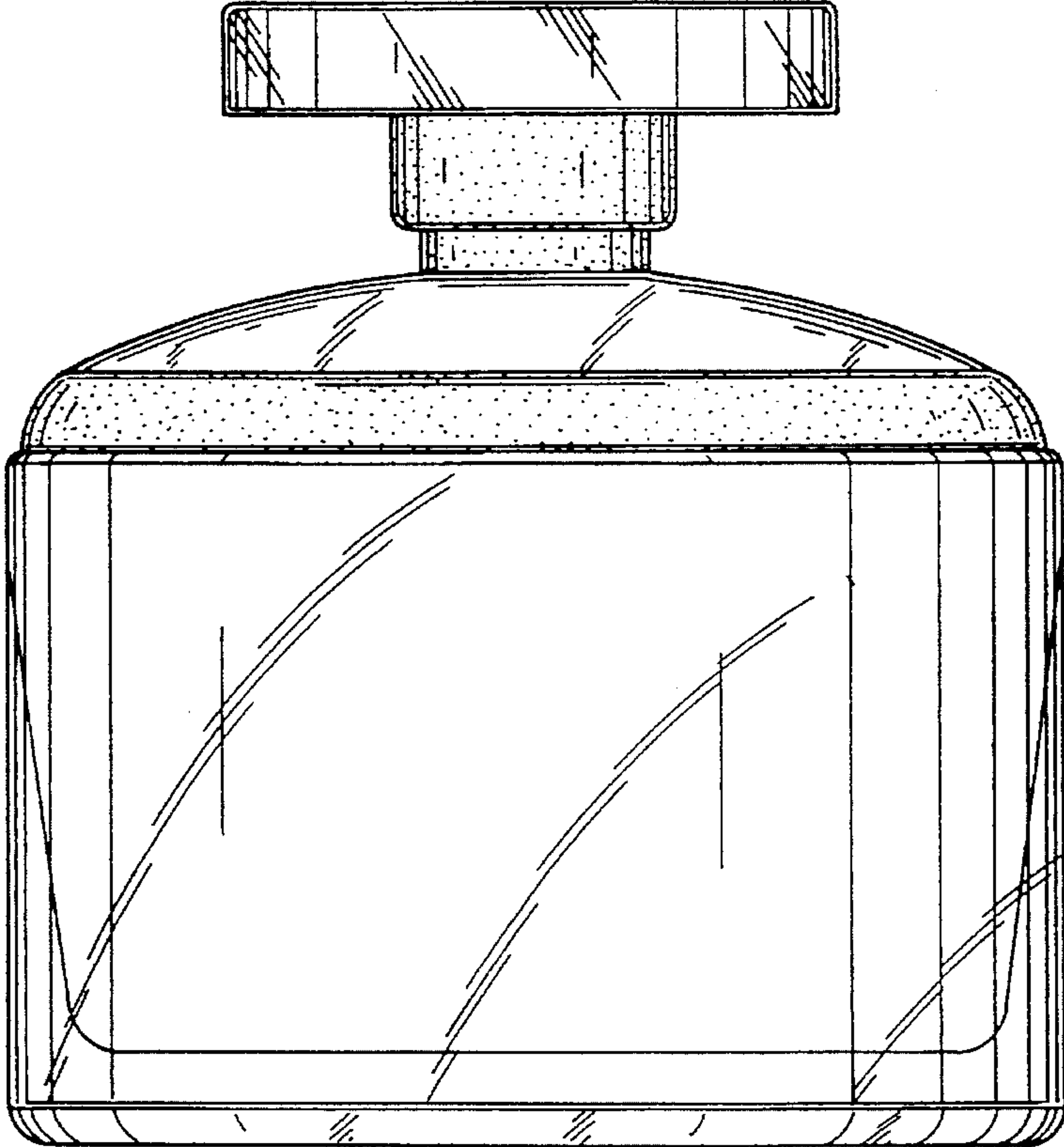


FIG. 1

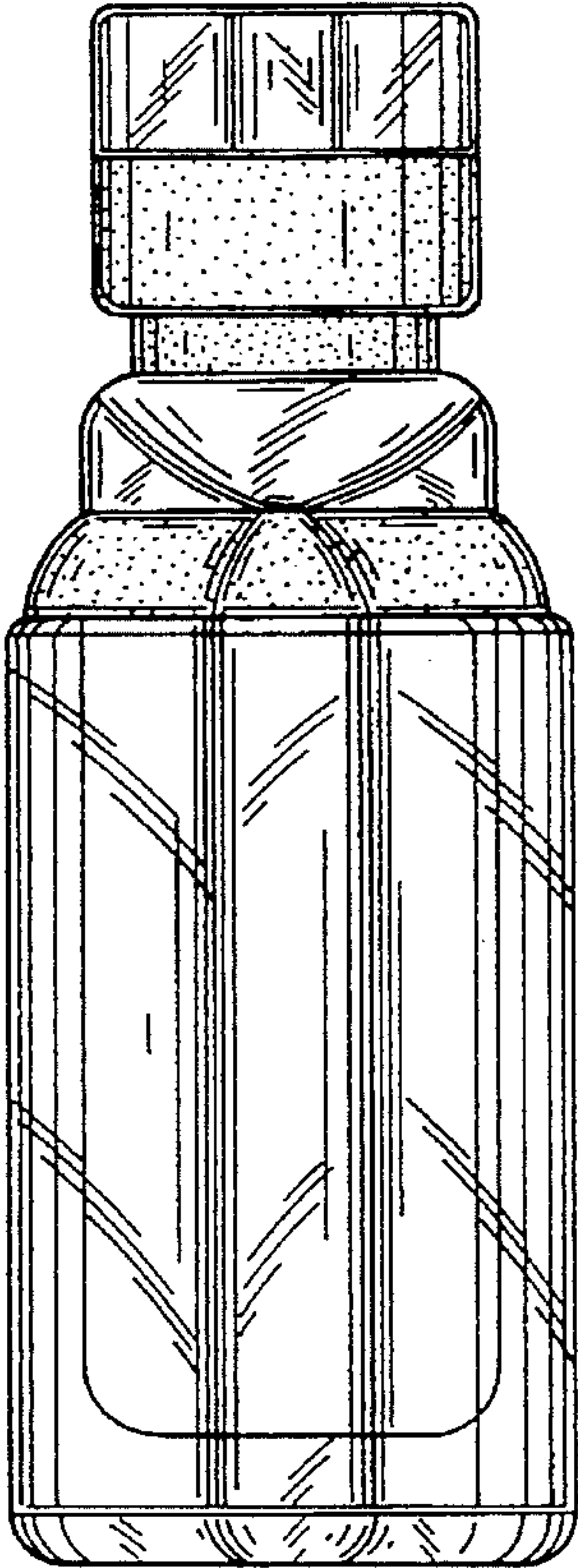


FIG. 2

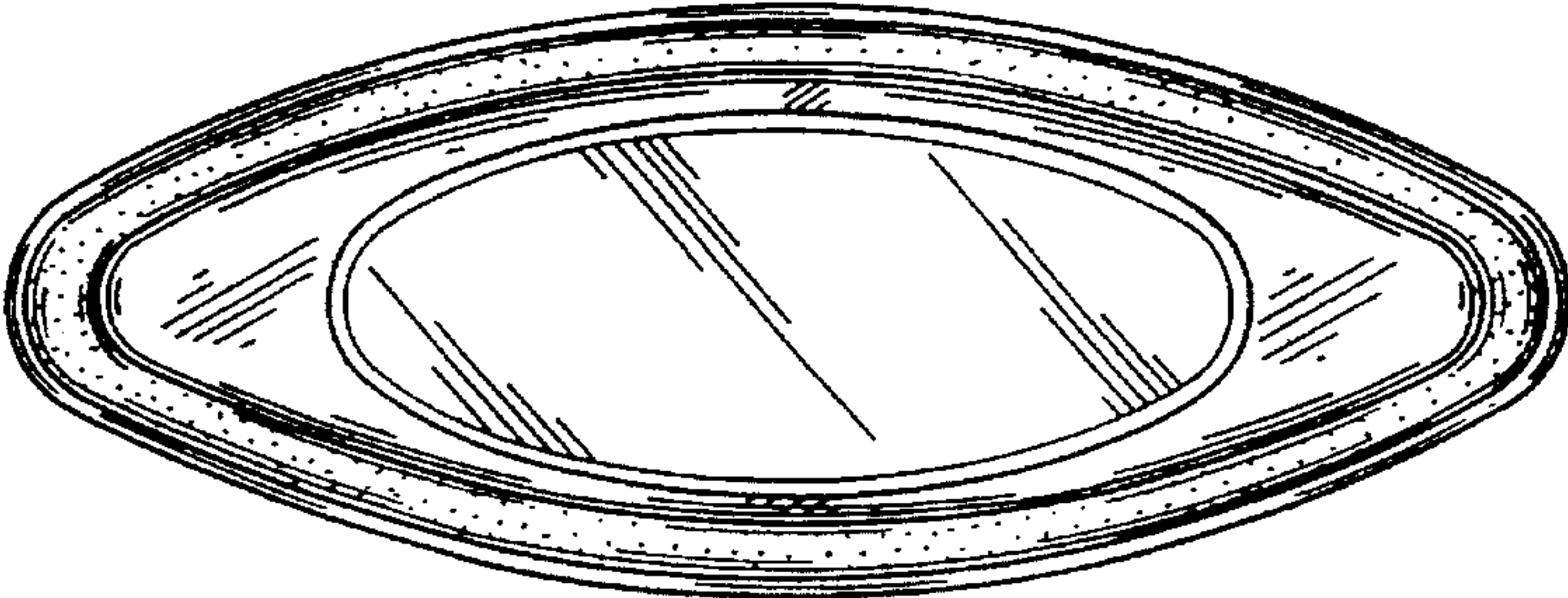


FIG. 3

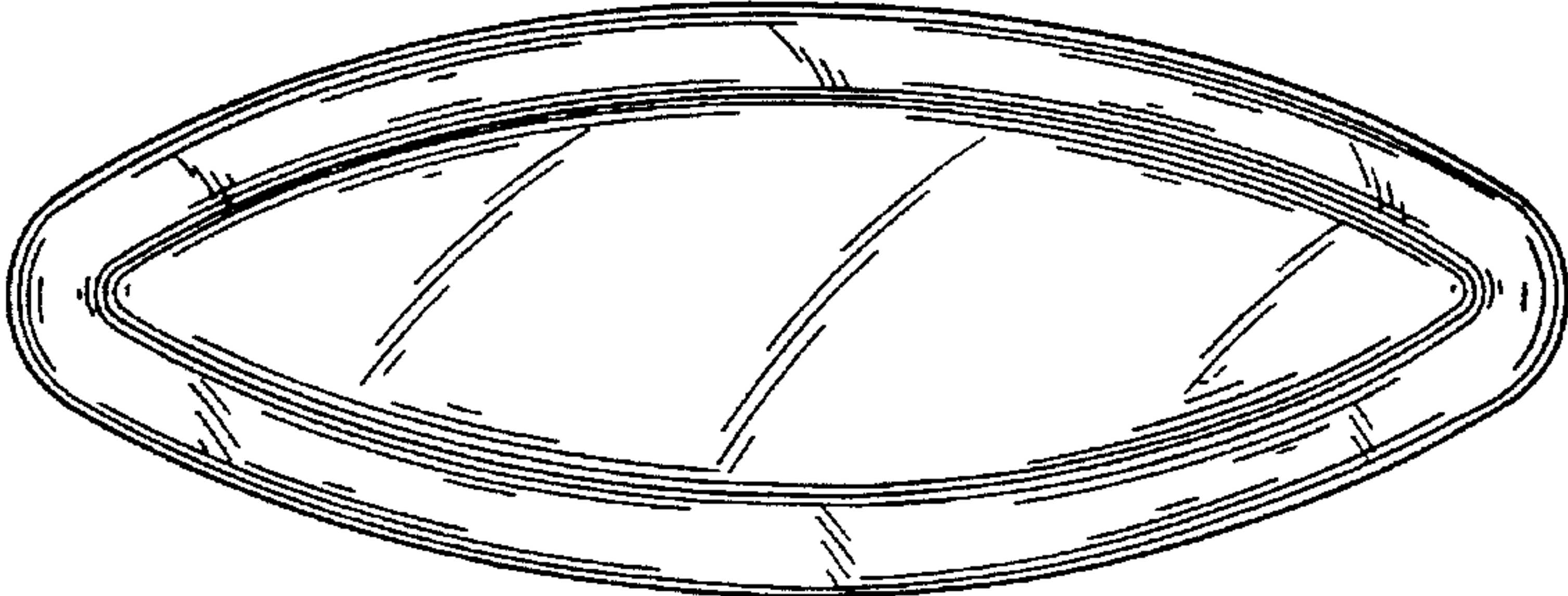


FIG. 4