



US00D365990S

United States Patent [19]

[11] **Patent Number: Des. 365,990**

McSwiggan et al.

[45] **Date of Patent: **Jan. 9, 1996**

[54] **INTEGRATED ACTUATOR OVERCAP**

[75] Inventors: **Peter McSwiggan**, Chatswood; **Karl Wilkinson**, Campbelltown, both of Australia

[73] Assignee: **R&C Products Pty Ltd.**, Ermington, Australia

[**] Term: **14 Years**

[21] Appl. No.: **23,220**

[22] Filed: **May 19, 1994**

[30] **Foreign Application Priority Data**

Nov. 22, 1993 [AU] Australia 3688/93

[52] **U.S. Cl.** **D9/448**

[58] **Field of Search** D9/338, 434-436, D9/440, 443-448, 449, 454; 220/337-338, 375, 915; 222/631; 239/548, 550

FOREIGN PATENT DOCUMENTS

62858	5/1973	Australia .	
64943	5/1974	Australia .	
64897	5/1974	Australia .	
68220	12/1975	Australia .	
68219	12/1975	Australia .	
72229	7/1977	Australia .	
72783	9/1977	Australia .	
80383	3/1980	Australia .	
83576	3/1981	Australia .	
85826	11/1981	Australia .	
86373	2/1982	Australia .	
86384	2/1982	Australia .	
94816	8/1985	Australia	9/1 A
97342	9/1986	Australia	9/7 A
105297	4/1988	Australia	9/7 A
104448	10/1988	Australia	9/7 A
104547	11/1988	Australia	9/7 A
109578	1/1990	Australia	9/1 A
109387	4/1990	Australia	9/7 A

(List continued on next page.)

OTHER PUBLICATIONS

Argentine Industrial Model #52329—Abstract.

Primary Examiner—Alan P. Douglas

Assistant Examiner—Robert M. Spear

Attorney, Agent, or Firm—Frederick H. Rabin

[57] **CLAIM**

The ornamental design for an integrated actuator overcap, as shown and described.

DESCRIPTION

FIG. 1 is a perspective view of an integrated actuator overcap showing our new design;

FIG. 2 is a plan view thereof;

FIG. 3 is an inverted plan view thereof;

FIG. 4 is one side view thereof, the opposite side view being a mirror image;

FIG. 5 is a front view thereof;

FIG. 6 is a rear view thereof; and,

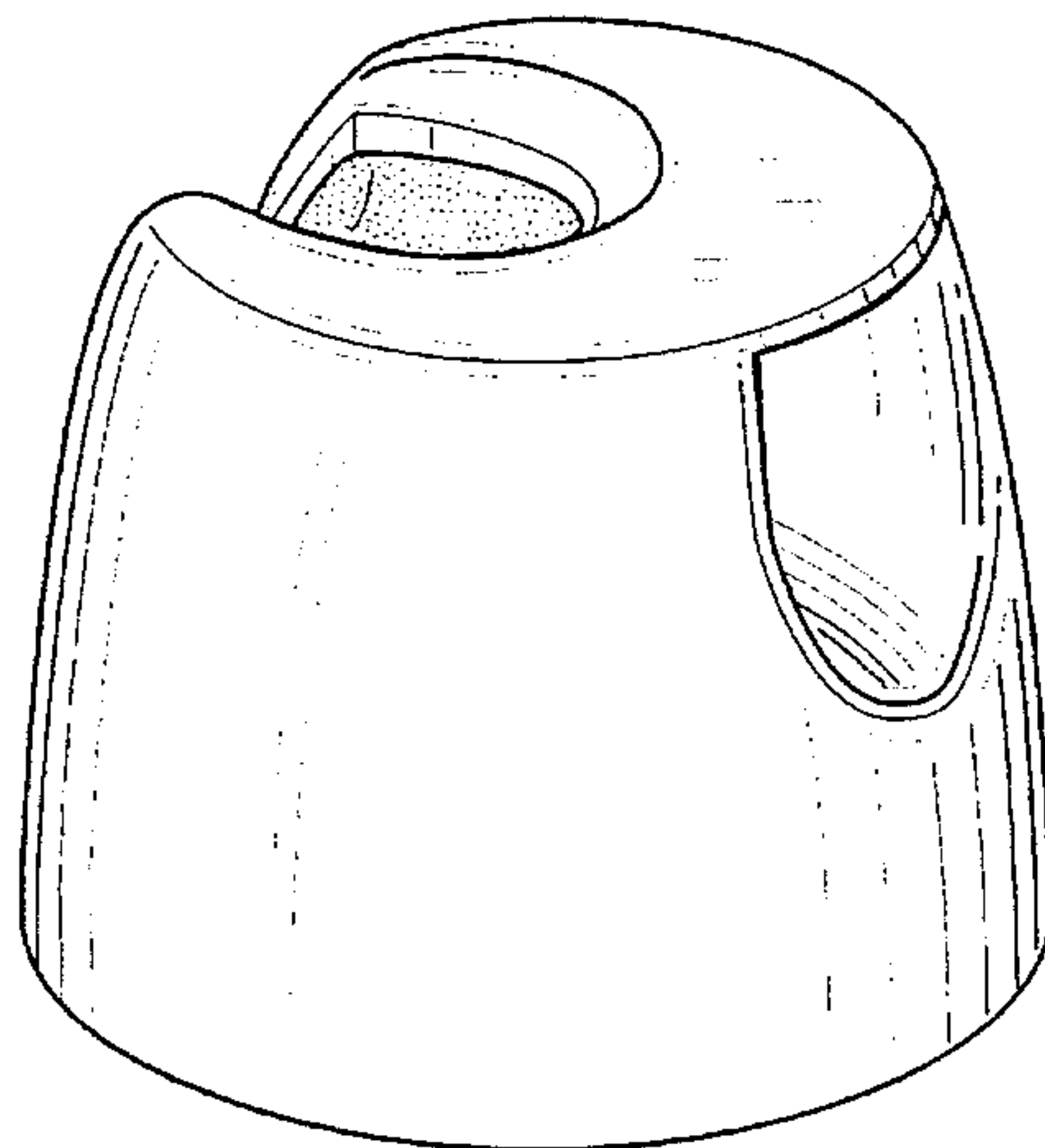
FIG. 7 is a cut-away view of the underside of the cap taken along line 7—7 of FIG. 2.

1 Claim, 4 Drawing Sheets

[56] **References Cited**

U.S. PATENT DOCUMENTS

Re. 26,367	4/1968	Sagarin	222/182
D. 198,109	4/1964	Klun	D9/436
D. 198,110	4/1964	Klun	D9/436
D. 199,208	9/1964	Harris	D58/26
D. 204,031	3/1966	Abplanalp	D9/448
D. 208,224	8/1967	Crowell	D9/448
D. 230,831	3/1974	Carpenter	D9/448
D. 238,934	2/1976	Corsa	D9/258
D. 277,648	2/1985	Jones	D9/445
D. 316,675	5/1991	Cramer	D9/448
D. 337,044	7/1993	Pronchick	D9/448
3,157,321	11/1964	O'Donnell	D9/448 X
3,185,350	4/1965	Abplanalp et al.	222/182
3,185,351	5/1965	Klun	D9/448 X
3,195,783	7/1965	Crowell	222/182
3,312,723	4/1967	Anderson et al.	222/402.13
3,760,988	9/1973	Ostrowsky	222/153
3,788,523	1/1974	Thomas	222/153
4,122,977	10/1978	Butcher	222/182
4,254,899	3/1981	van Lit	222/402.13
4,328,911	5/1982	Knickersocker	222/182
4,418,842	12/1983	DiLoreto	222/153
4,726,519	1/1986	Muoio	239/49



Des. 365,990

Page 2

FOREIGN PATENT DOCUMENTS

109555	5/1990	Australia	9/7 A	24750	12/1992	New Zealand .	
110859	9/1990	Australia	9/7 A	958813	12/1972	United Kingdom .	
111044	10/1990	Australia	9/1 A	963567	9/1973	United Kingdom .	
0255208	11/1985	European Pat. Off. .		964836	1/1974	United Kingdom .	
0160785	2/1988	European Pat. Off. .		1000637	12/1981	United Kingdom .	
0342741	11/1989	European Pat. Off.	B05B 11/06	1017180	1/1985	United Kingdom .	
0385077	9/1990	European Pat. Off.	B05B 11/00	1041726	10/1987	United Kingdom .	
0385863	9/1990	European Pat. Off.	B65D 83/14	2236266	4/1991	United Kingdom	B05B 1/30
0509863	10/1992	European Pat. Off.	B65D 83/14	9103408	9/1990	WIPO	B65D 83/56
0526298	2/1993	European Pat. Off.	B65D 83/22	9106377	10/1990	WIPO	B05B 7/24
8800770	2/1989	Germany	9/7	018017	11/1990	WIPO	28/3
				9213780	2/1992	WIPO	B65D 83/28

FIG. 1

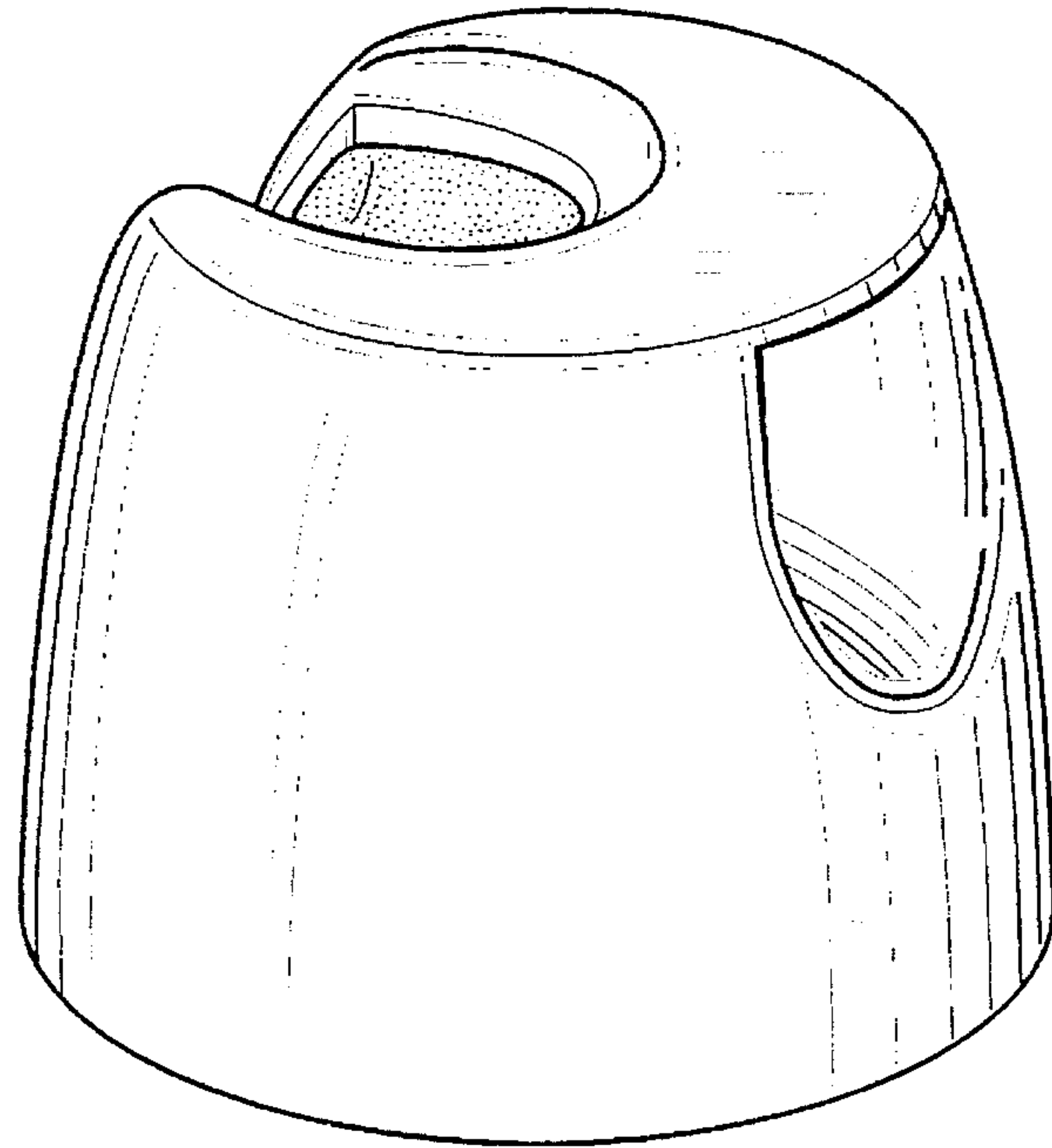


FIG. 2

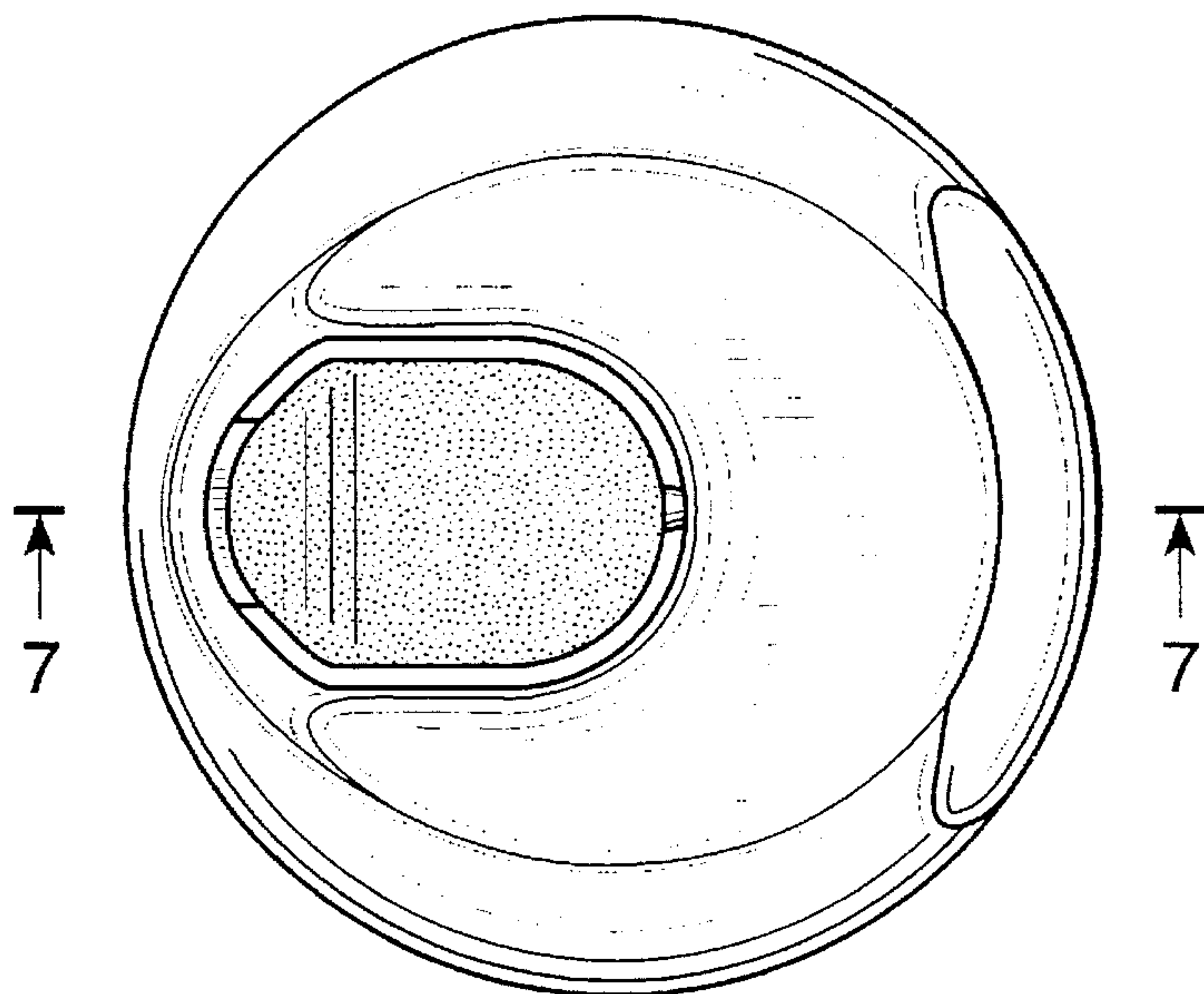


FIG. 3

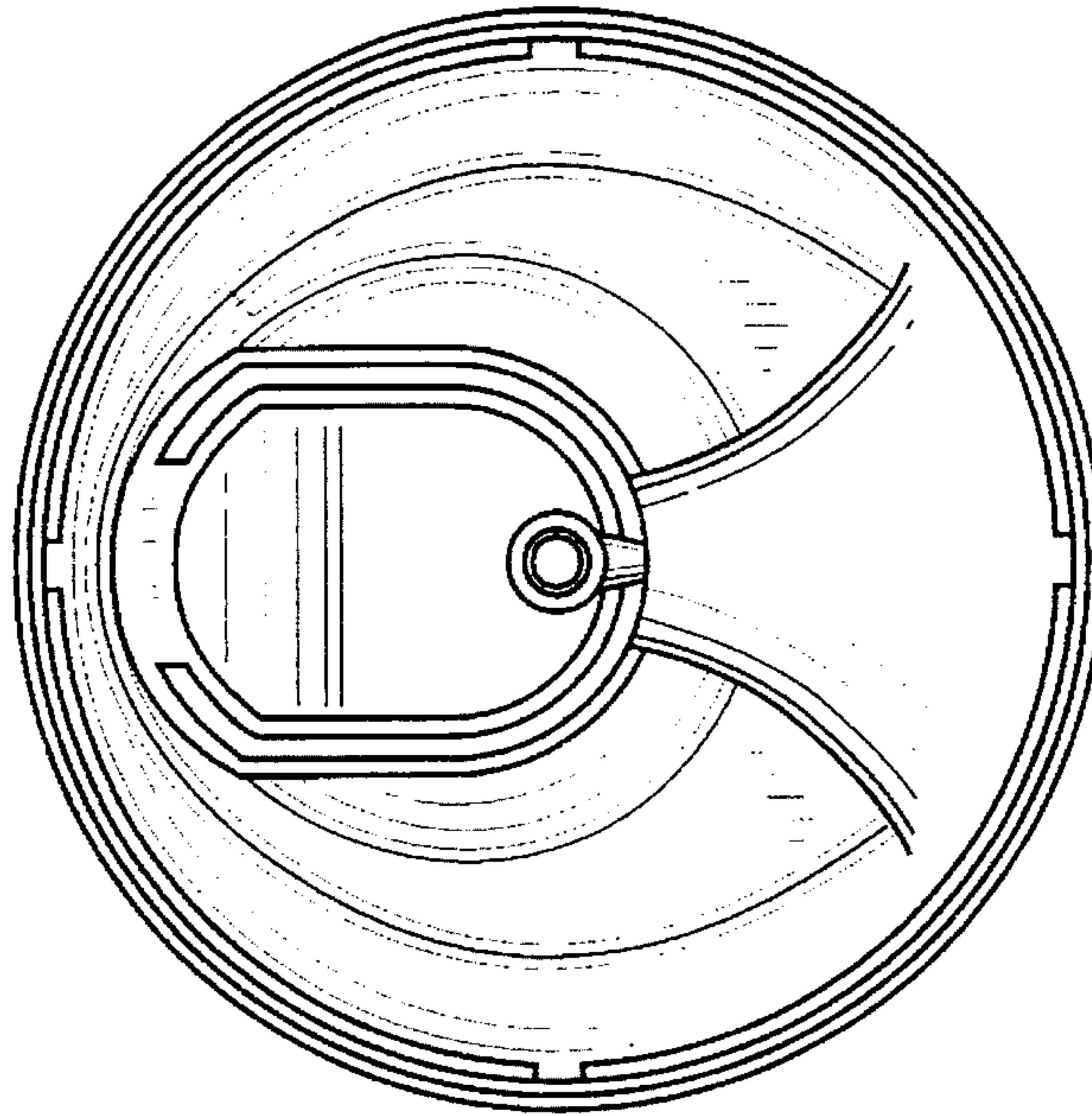


FIG. 4

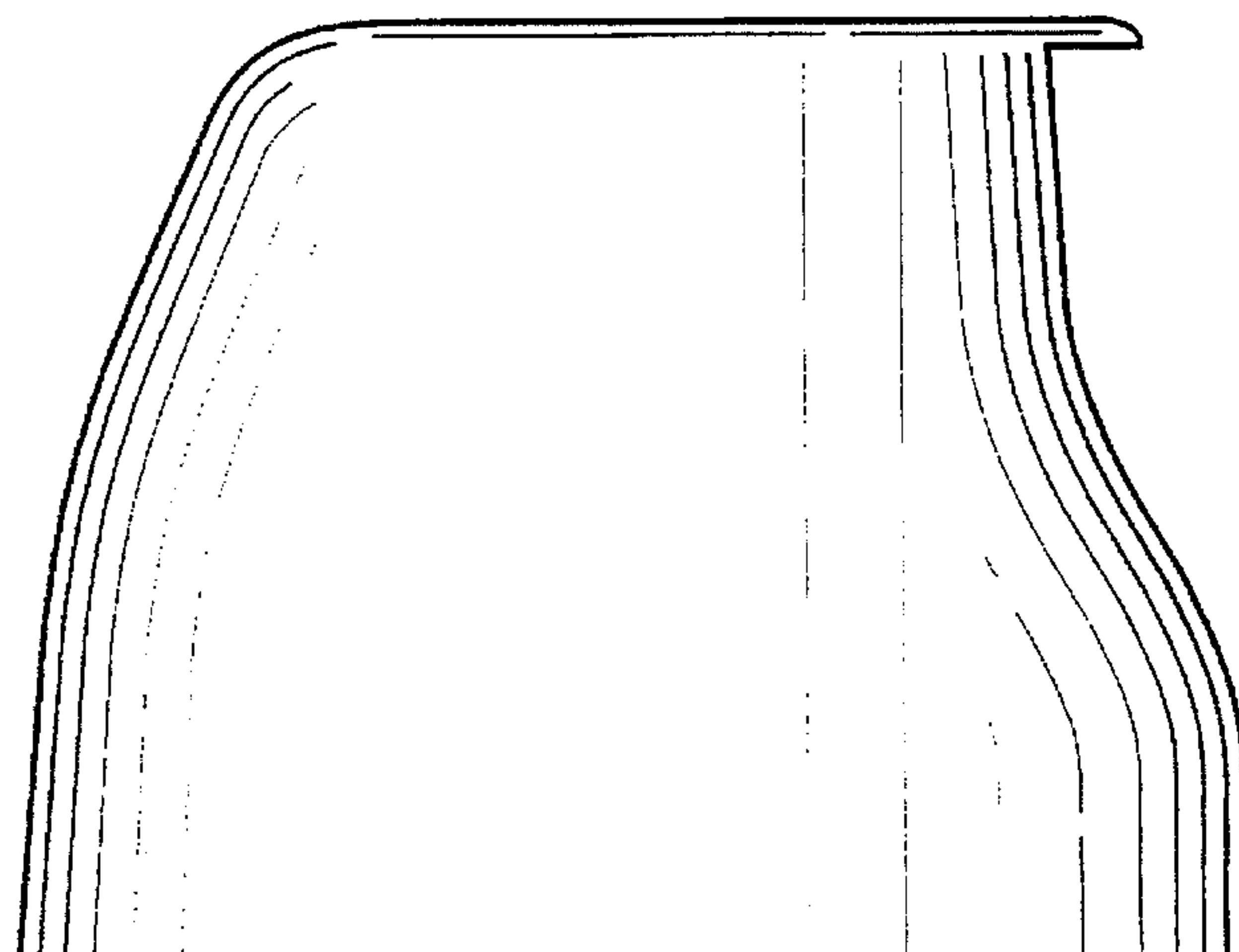


FIG. 5

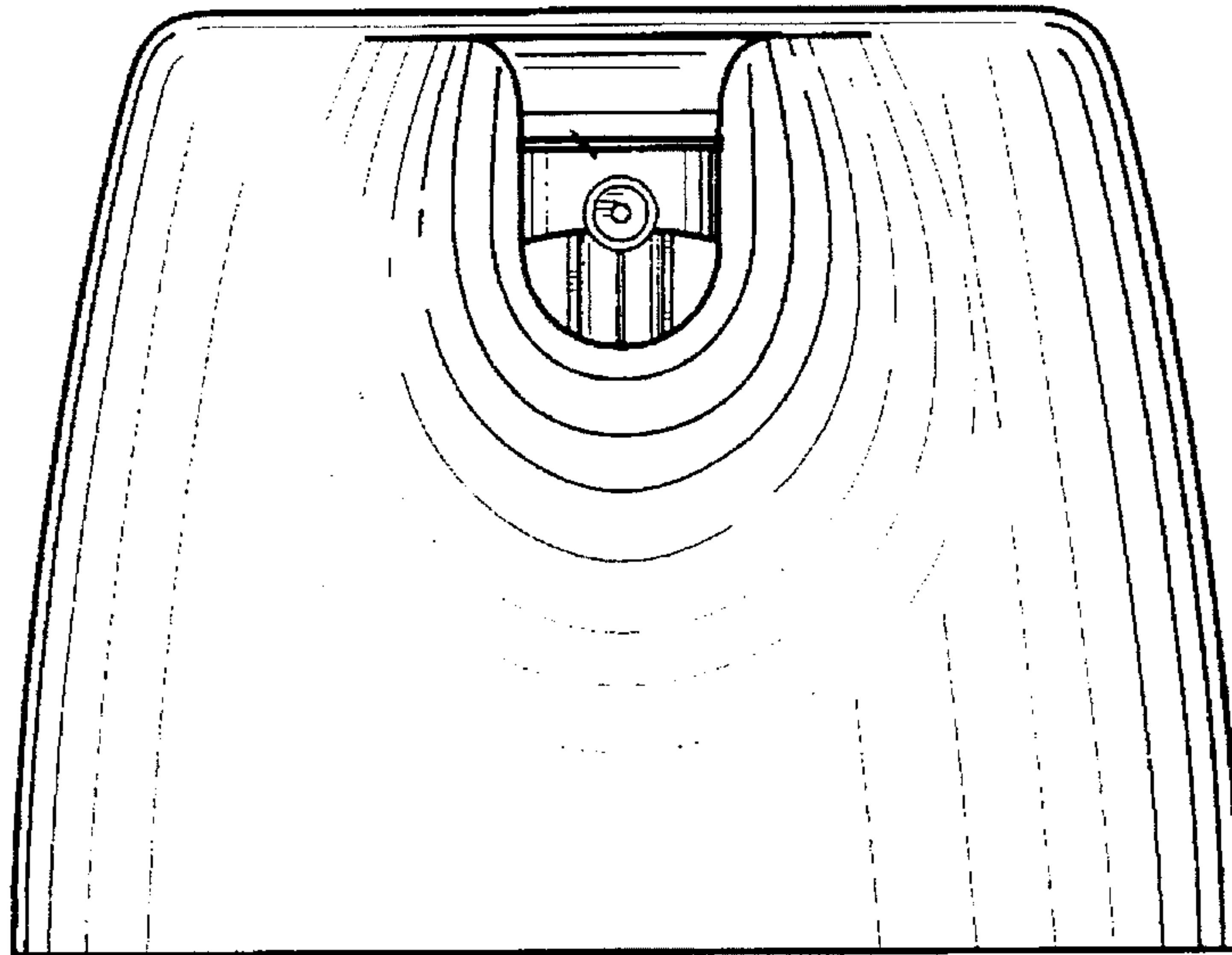


FIG. 6

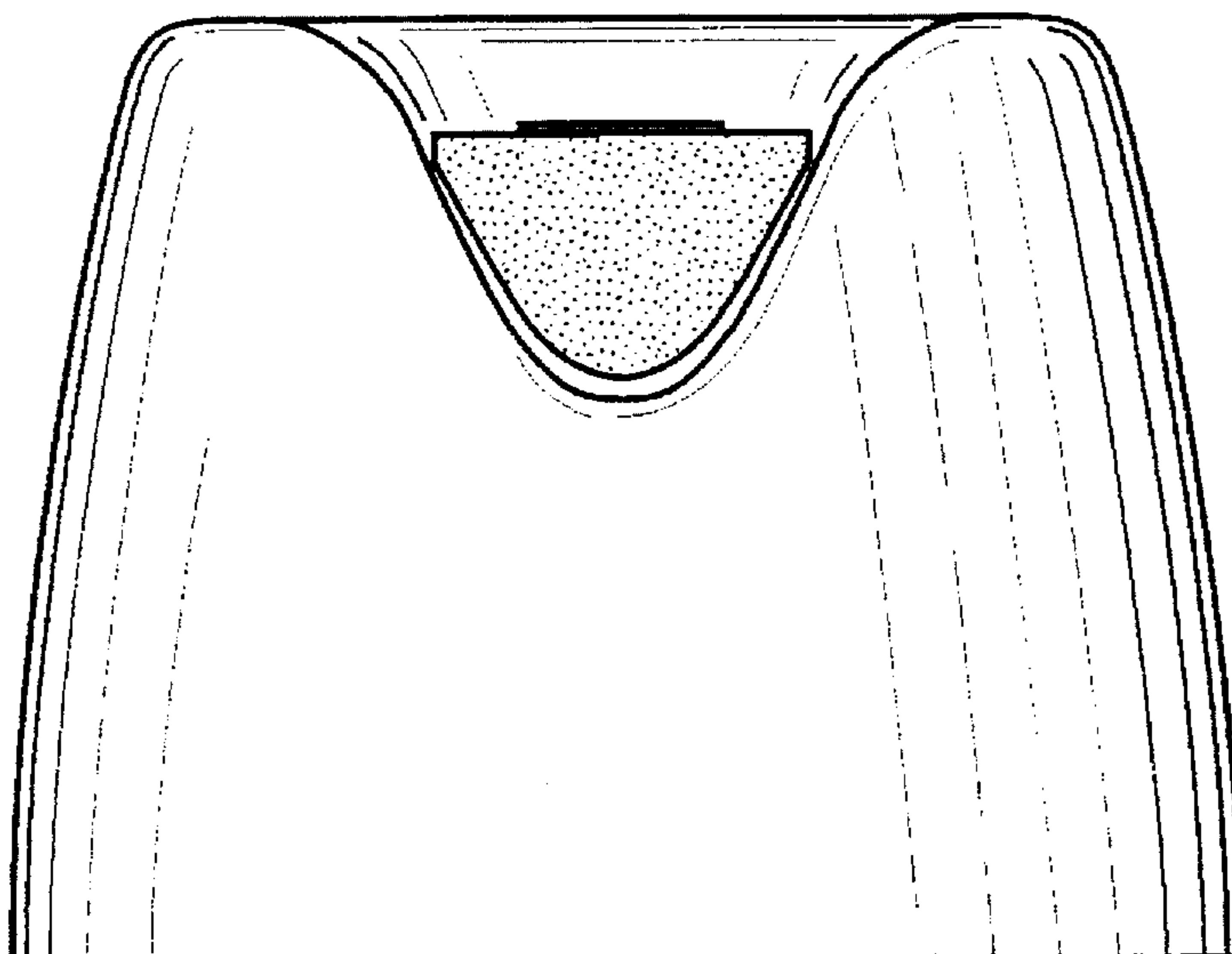


FIG. 7

