



US00D365985S

United States Patent [19]

[11] Patent Number: **Des. 365,985**

Rousmaniere et al.

[45] Date of Patent: ****Jan. 9, 1996**

[54] **CONTAINER FOR TRANSPORTING PHOTOGRAPHIC FILM CASSETTES**

[75] Inventors: **Arthur S. Rousmaniere**, Andover;
Walter C. Lamb, Jr., North Billerica,
both of Mass.

[73] Assignee: **Polaroid Corporation**, Cambridge,
Mass.

[**] Term: **14 Years**

[21] Appl. No.: **29,727**

[22] Filed: **Oct. 14, 1994**

[52] U.S. Cl. **D9/423**; D9/425

[58] Field of Search D9/424, 425, 432,
D9/431, 423; D3/304, 309, 315, 905; 206/508,
518, 557, 564, 503, 578, 387, 316.1, 540;
220/1.5, DIG. 15, 380, 334, 337

[56] **References Cited**

U.S. PATENT DOCUMENTS

D. 286,729	11/1986	Tzifkansky et al.	D9/423 X
D. 305,410	1/1990	Tyler	D9/425
D. 313,556	1/1991	Smith	D9/425
D. 330,161	10/1992	Schuh	D9/423
D. 332,397	1/1993	Schea, III et al.	D9/425 X
D. 349,646	8/1994	Dickinson	D9/423
1,631,658	6/1927	Trefzger .	
3,116,927	1/1964	Kuhlman .	
3,327,599	6/1967	Murphy .	
4,000,816	1/1977	Spruyt .	
4,328,904	5/1982	Iverson .	

4,342,403	8/1982	Badtke et al.	206/540 X
4,660,734	4/1987	Heaney et al.	206/518 X
4,848,580	7/1989	Wise	206/518 X
4,903,832	2/1990	Stewart .	
5,012,928	5/1991	Profitt et al.	206/508
5,035,327	7/1991	Denzin et al.	206/518
5,037,000	8/1991	Selame .	
5,040,680	8/1991	Wilson et al. .	
5,269,430	12/1993	Schlaupitz et al. .	

OTHER PUBLICATIONS

Lewi Systems Cat. 1983, p. 28.

Primary Examiner—Prabhakar G. Deshmukh
Attorney, Agent, or Firm—John J. Kelleher

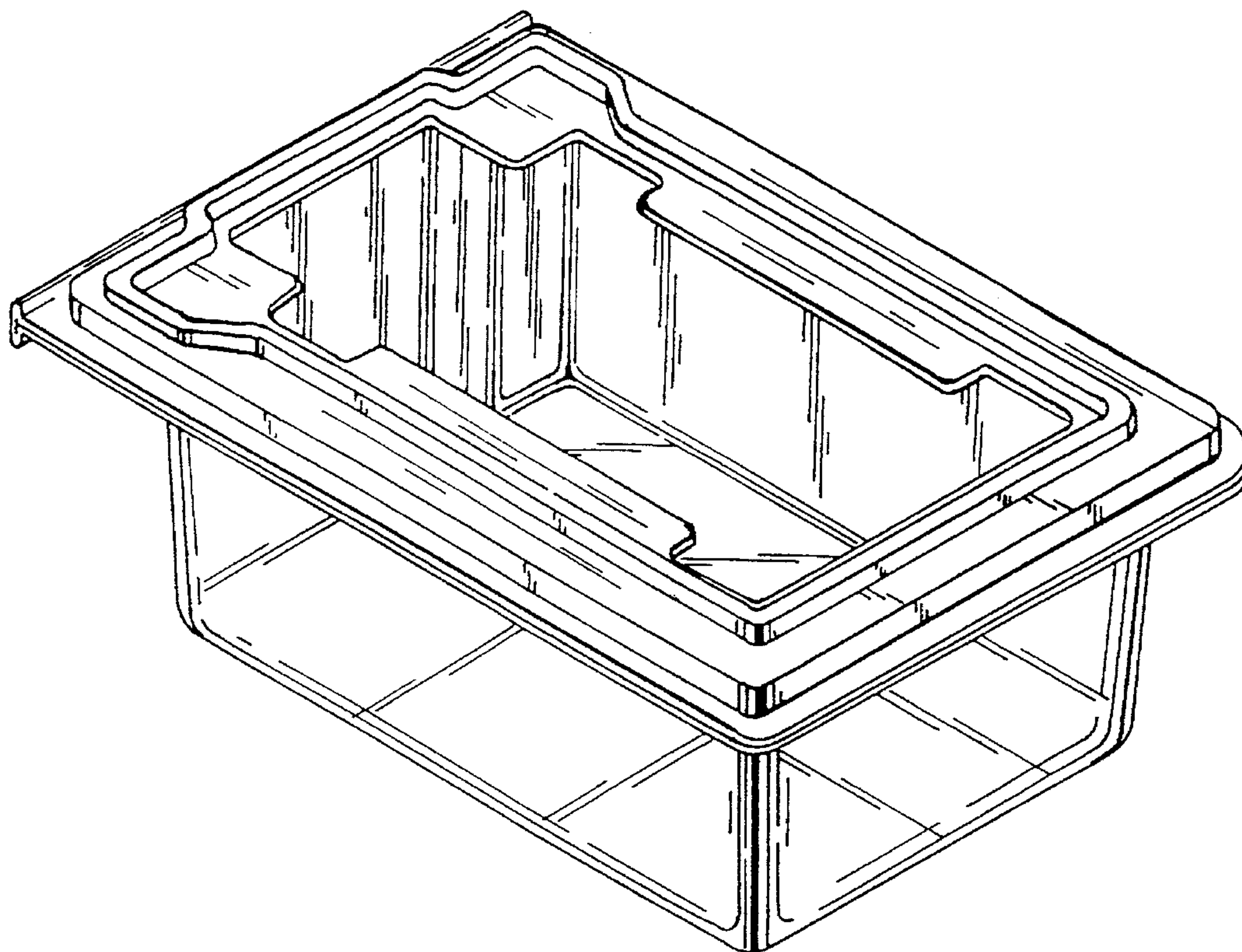
[57] **CLAIM**

The ornamental design for a container for transporting photographic film cassettes, as shown and described.

DESCRIPTION

FIG. 1 is a perspective view of my invention of a container for transporting photographic film cassettes;
FIG. 2 is a top plan view of the container of FIG. 1;
FIG. 3 is a side elevational view of the container of FIG. 1, the opposite side elevational view being a mirror image thereof;
FIG. 4 is an end elevational view of the right-hand side of the container of FIG. 3;
FIG. 5 is an end elevational view of the left-hand side of the container of FIG. 3; and,
FIG. 6 is a bottom plan view of the container of FIG. 1.

1 Claim, 2 Drawing Sheets



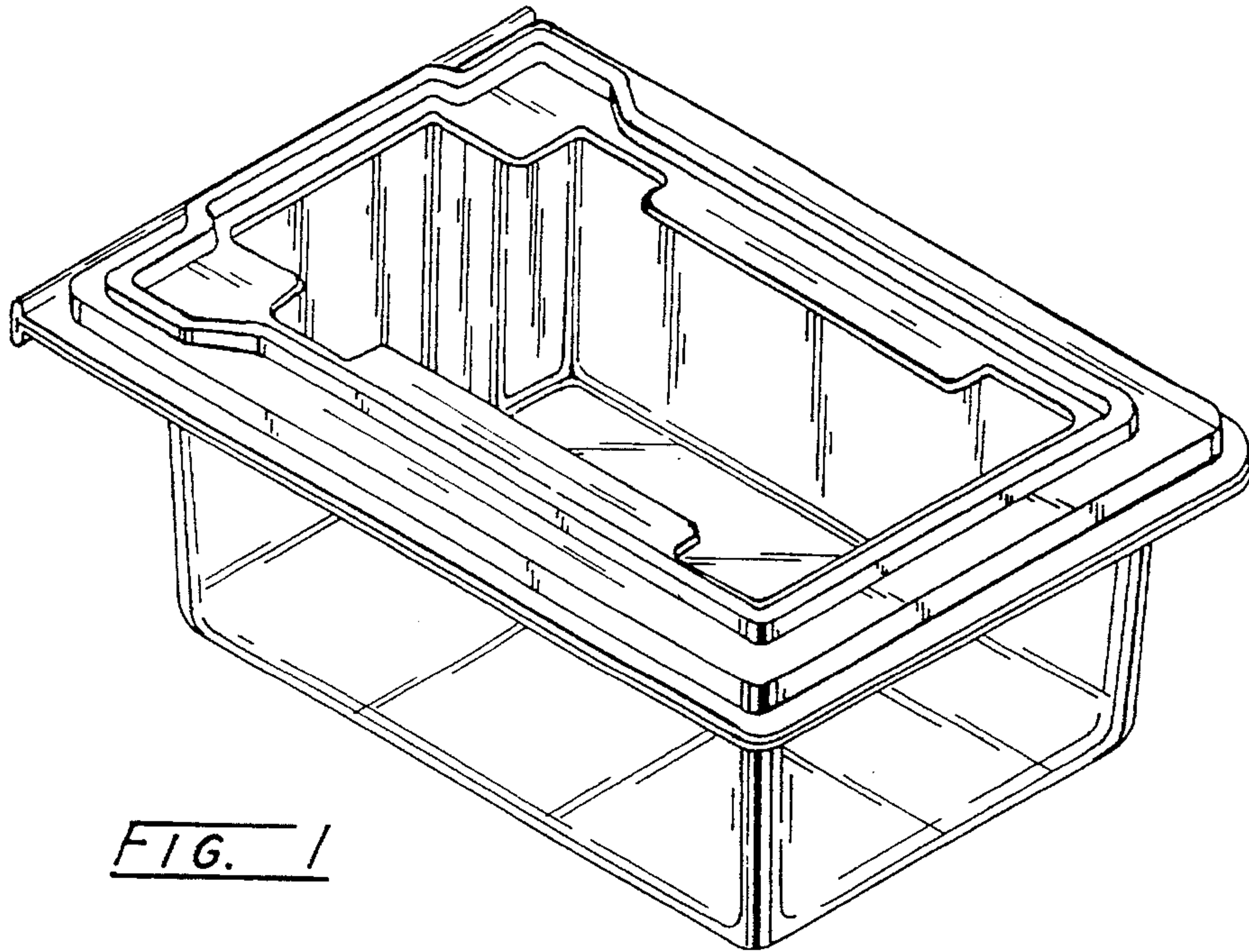


FIG. 1

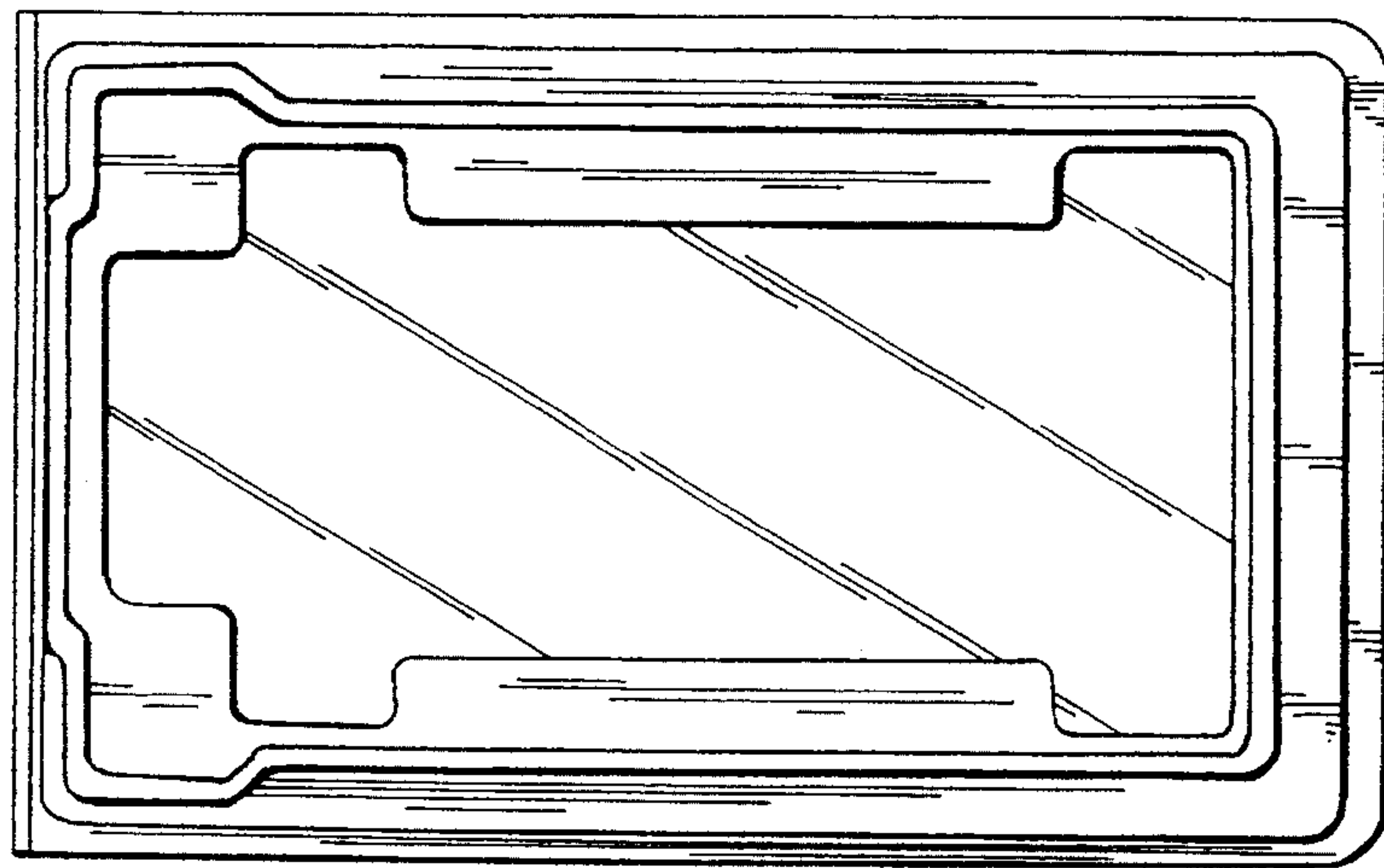


FIG. 2

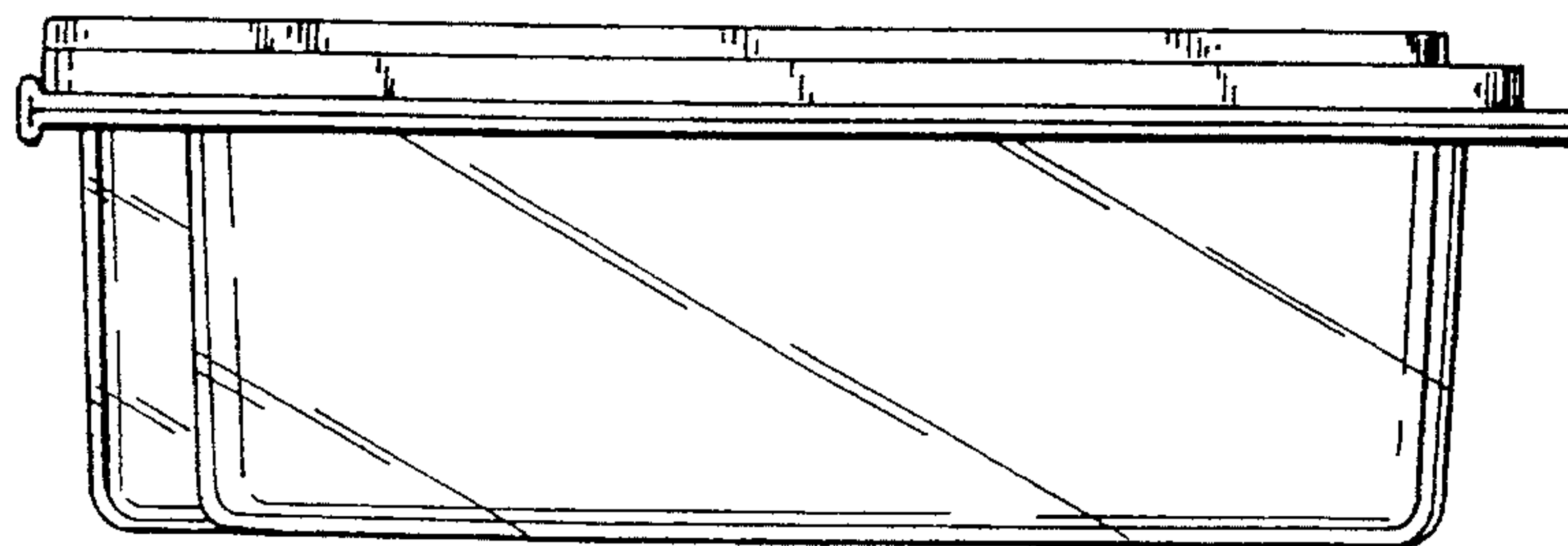


FIG. 3

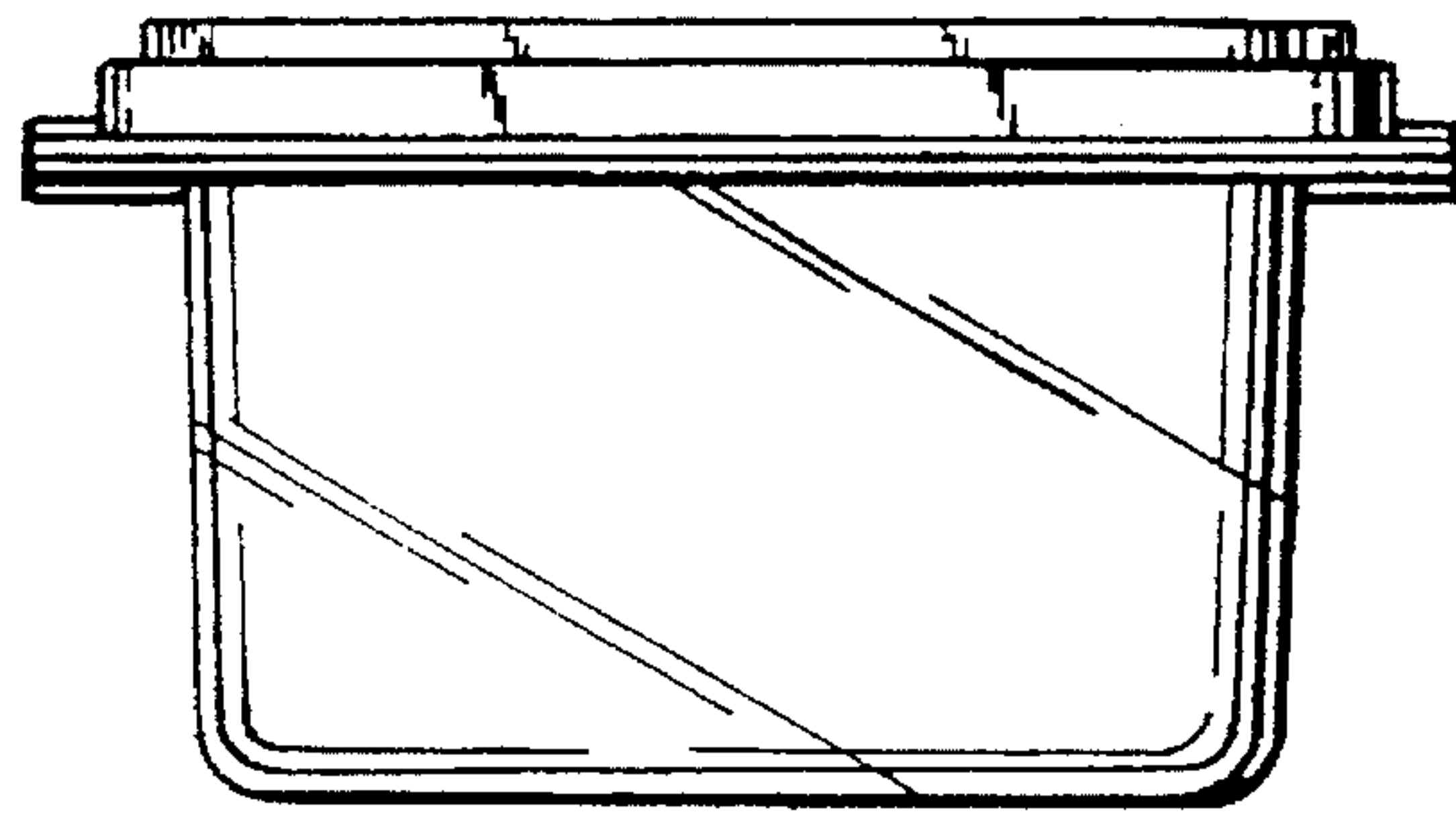


FIG. 4

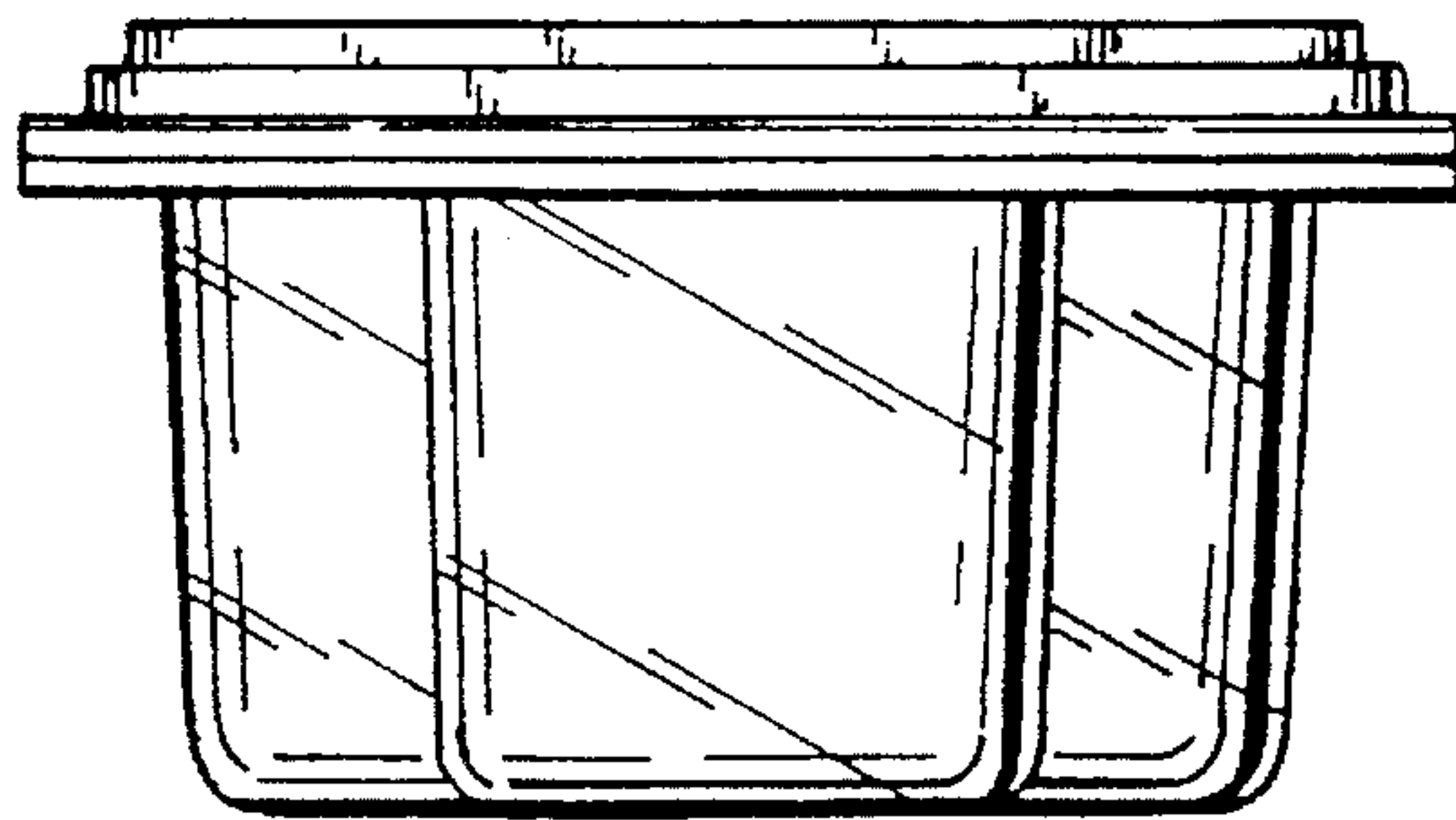


FIG. 5

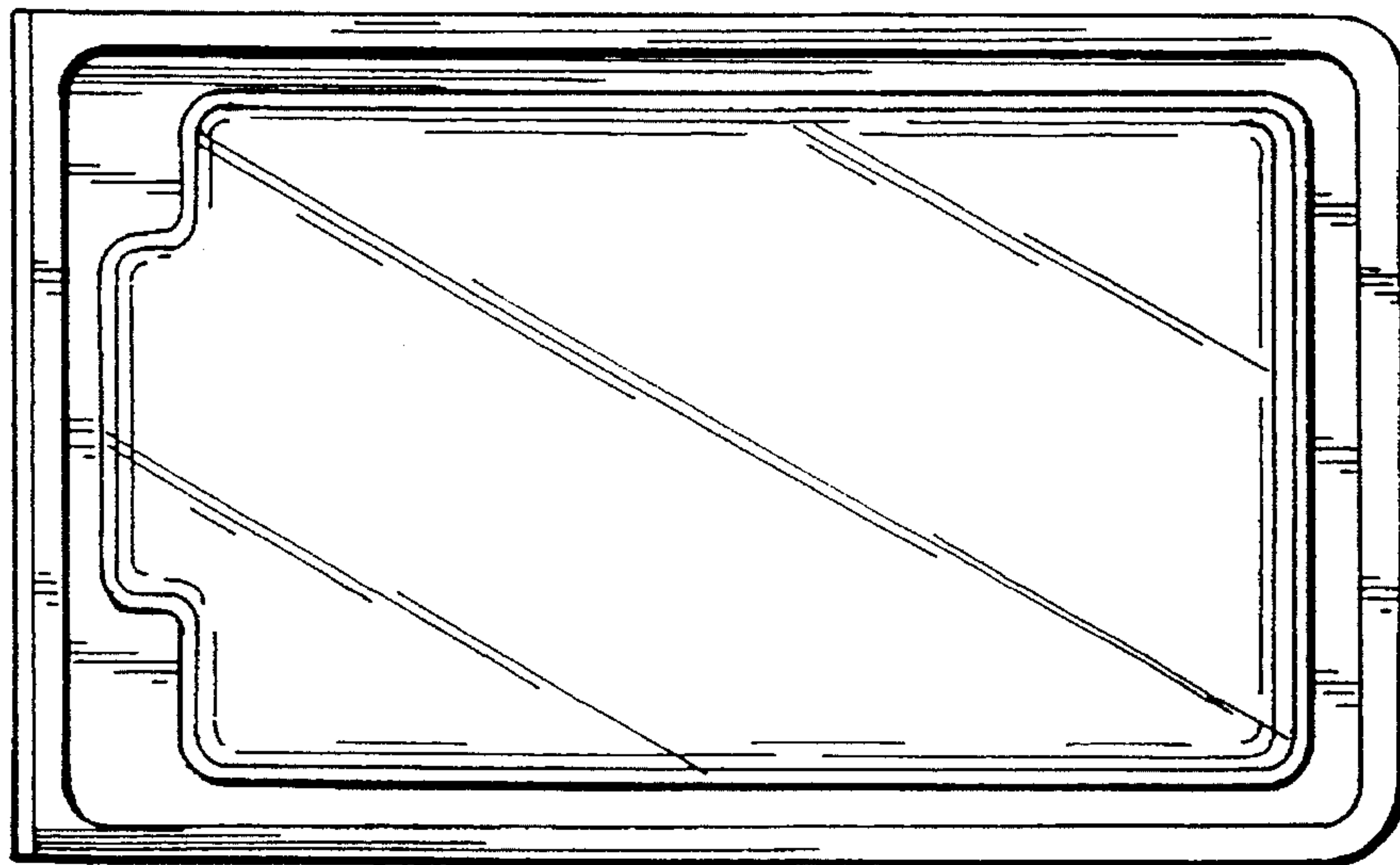


FIG. 6