



US00D365979S

United States Patent [19]
Blomqvist

[11] **Patent Number: Des. 365,979**

[45] **Date of Patent: **Jan. 9, 1996**

[54] **MOUNTING FOR A WINDOW OR A DOOR**

[75] Inventor: **Berthold Blomqvist**, Lammhult, Sweden

[73] Assignee: **Teknoskand Invent AB**, Sweden

[**] Term: **14 Years**

[21] Appl. No.: **5,393**

[22] Filed: **Mar. 3, 1993**

[30] **Foreign Application Priority Data**

Sep. 7, 1992 [DK] Denmark MA 0875 1992

[52] **U.S. Cl.** **D8/400**

[58] **Field of Search** D8/400; 49/194-196,
49/149-156, 176, 177

[56] **References Cited**

U.S. PATENT DOCUMENTS

1,097,524	5/1914	Brownjohn	49/150
3,399,490	9/1968	Hettinger	49/176
3,447,264	6/1969	Foster	49/150
4,813,180	3/1989	Scalzi	49/176
4,922,657	5/1990	Foss	49/176
4,926,524	5/1990	Owens	49/176

Primary Examiner—B. J. Bullock

Attorney, Agent, or Firm—Davis, Bujold & Streck

[57] **CLAIM**

The ornamental design for a mounting for a window or a door, as shown.

DESCRIPTION

FIG. 1 is a perspective view, showing a first embodiment, of

my new design of a mounting for a window, or a door with the base plate in a partially rotated position;

FIG. 2 is a bottom plan view of the mounting shown in FIG. 3;

FIG. 3 is a front elevational view of the mounting shown in FIG. 1 with the base plate shown aligned with the latch member;

FIG. 4 is a left side elevational view of the mounting shown in FIG. 3;

FIG. 5 is a right side elevational view of the of the mounting shown in FIG. 3;

FIG. 6 is a rear elevational view of the mounting shown in FIG. 3;

FIG. 7 is a top plan view of the mounting shown in FIG. 3;

FIG. 8 is a reduced front elevational view showing a second embodiment of the base plate, shown separately for ease of illustration;

FIG. 9 is a reduced front elevational view showing a third embodiment of the base plate, shown separately for ease of illustration;

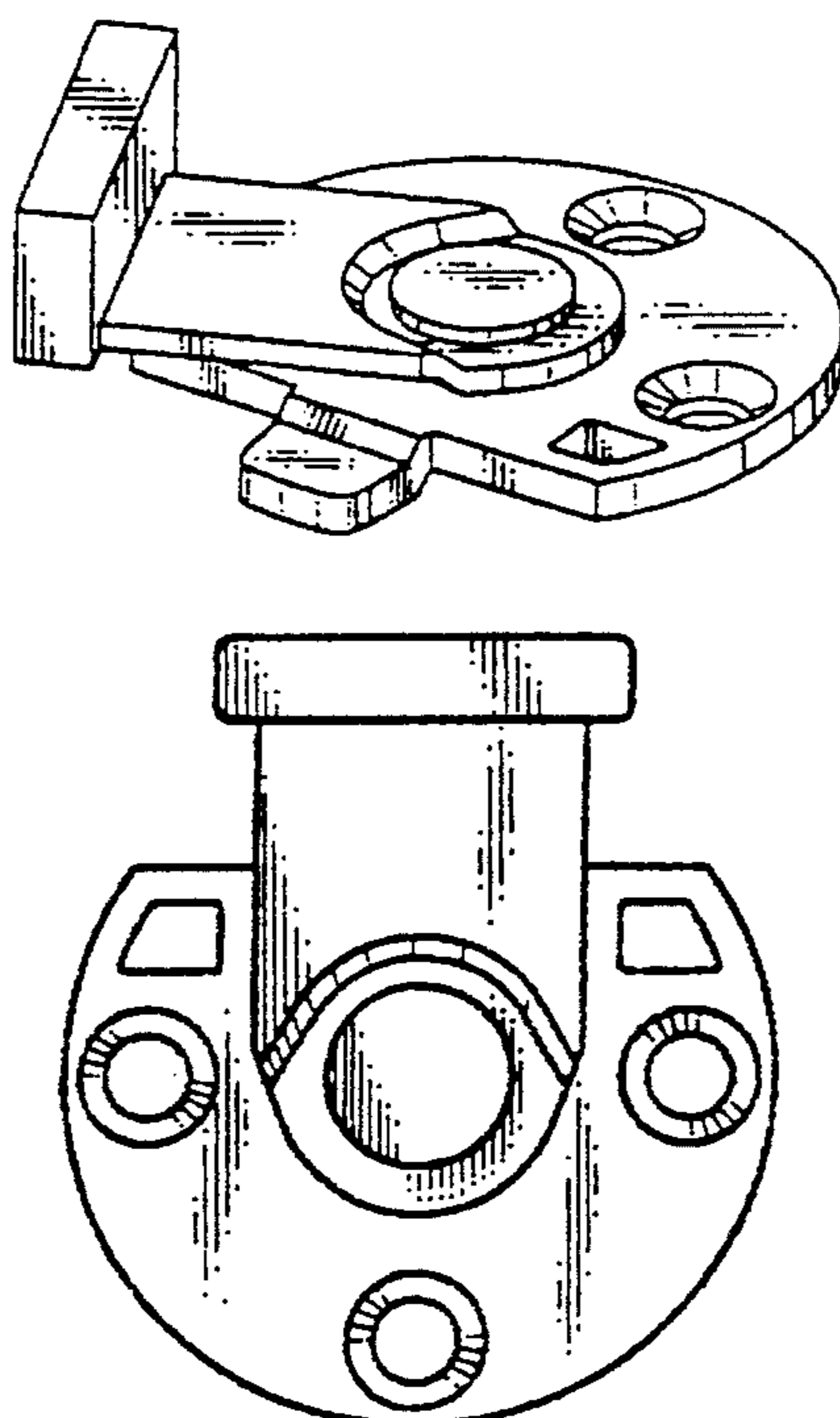
FIG. 10 is a reduced front elevational view showing a fourth embodiment of the base plate, shown separately for ease of illustration;

FIG. 11 is a reduced front elevational view showing a fifth embodiment of the base plate, shown separately for ease of illustration;

FIG. 12 is a reduced front elevational view showing a sixth embodiment of the base plate, shown separately for ease of illustration; and,

FIG. 13 is a reduced front elevational view showing seventh embodiment of the base plate, shown separately for ease of illustration.

1 Claim, 2 Drawing Sheets



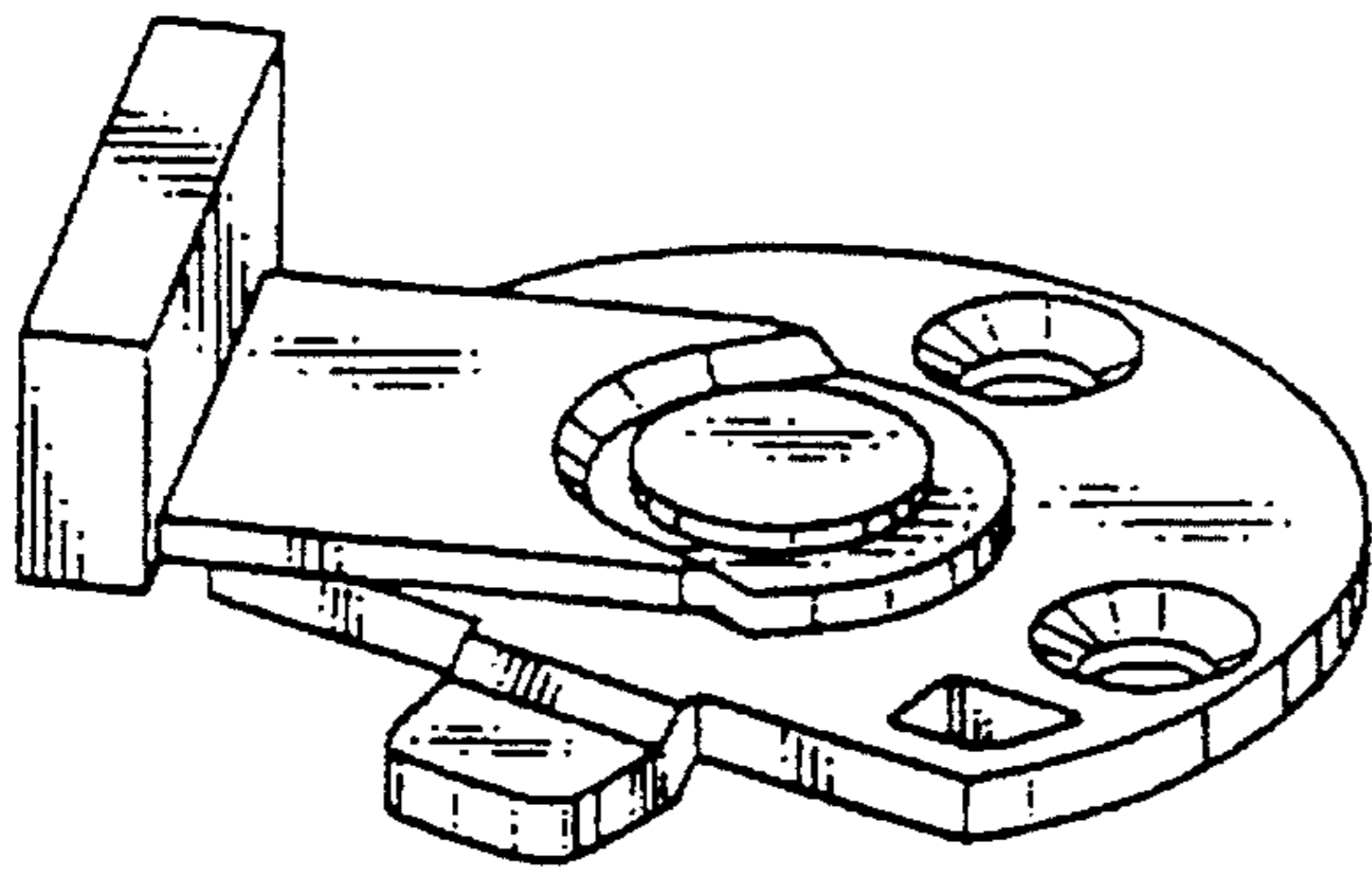


FIG. 1

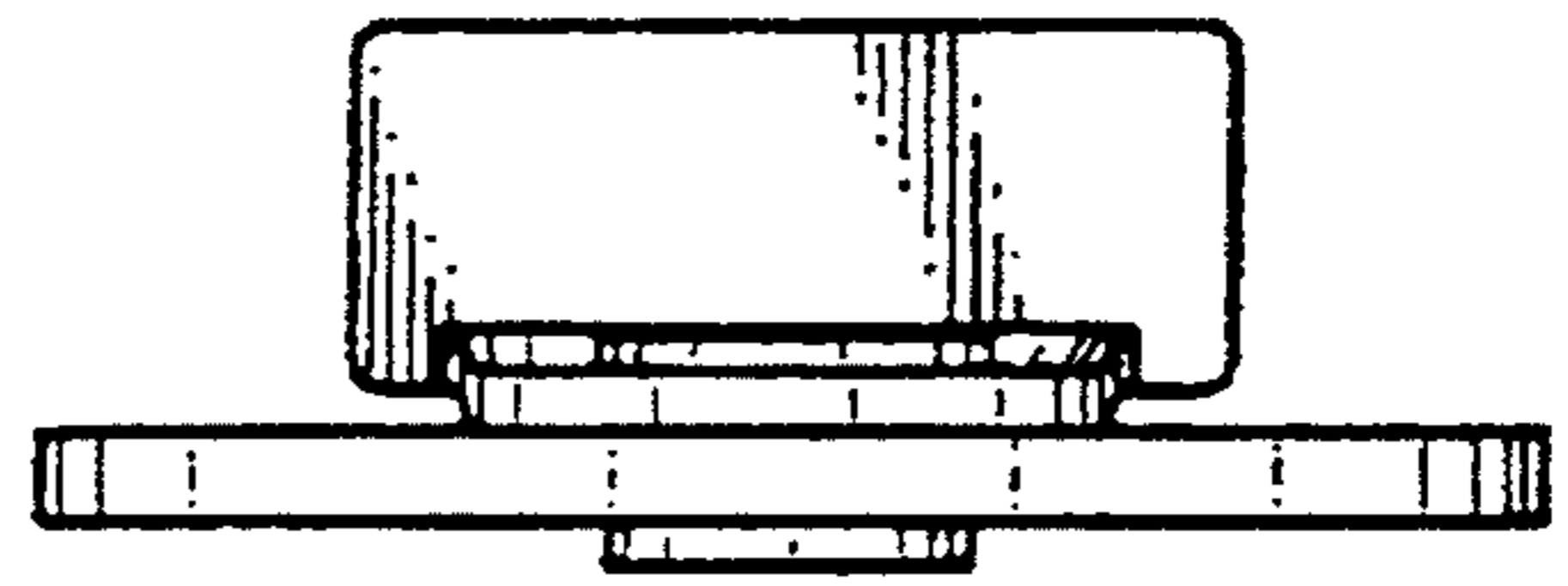


FIG. 2

FIG. 4

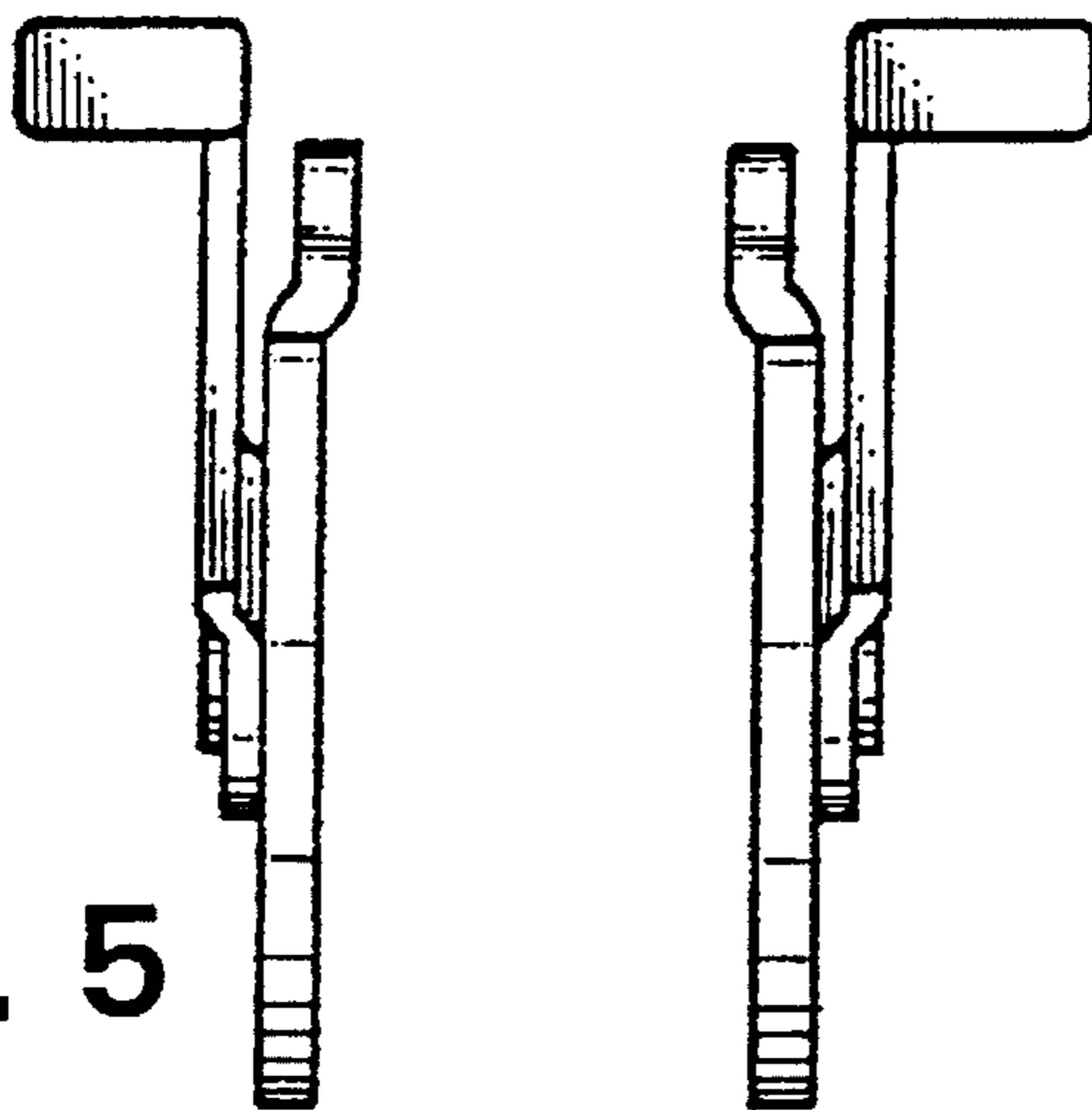


FIG. 5

FIG. 3

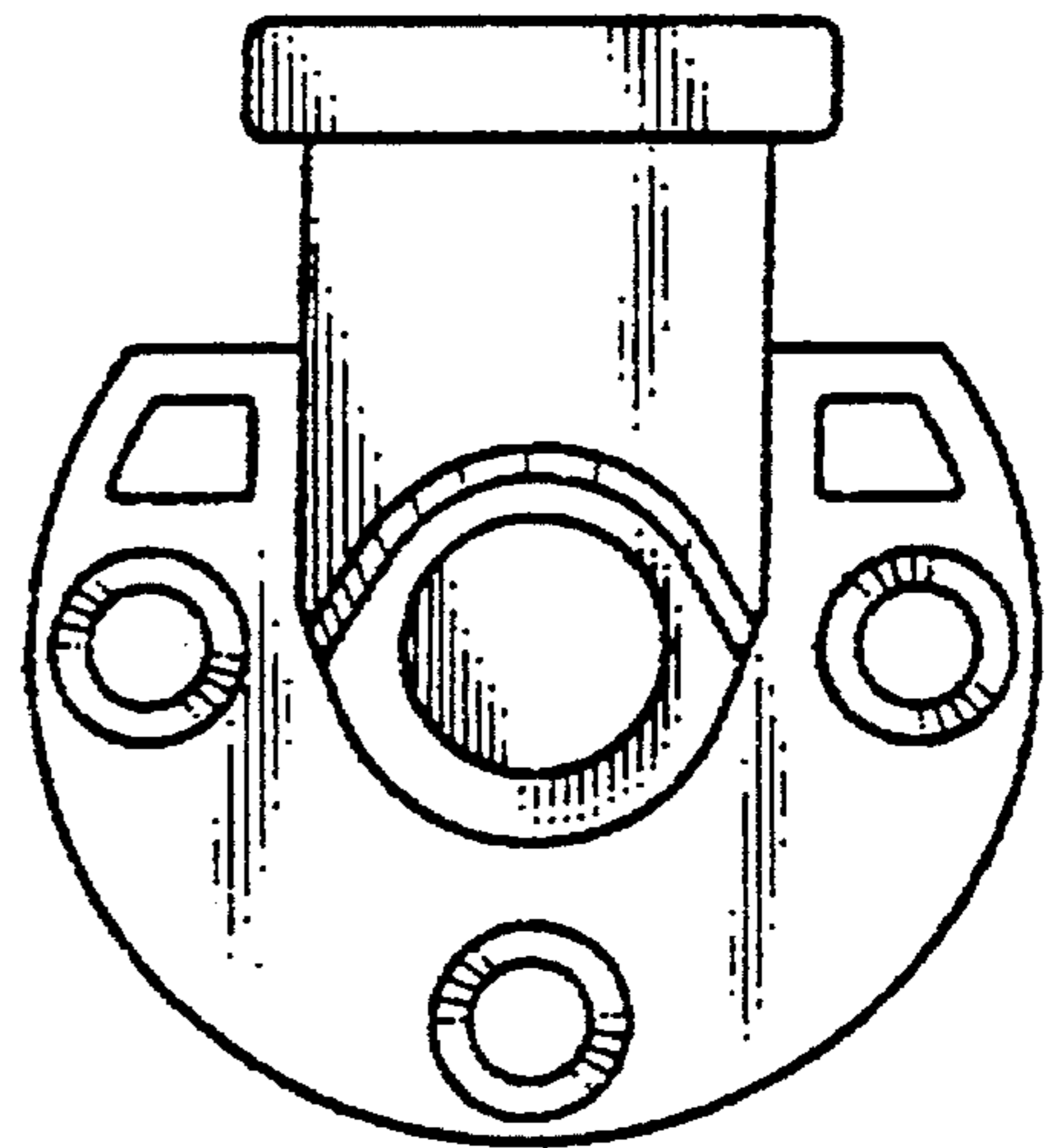


FIG. 6

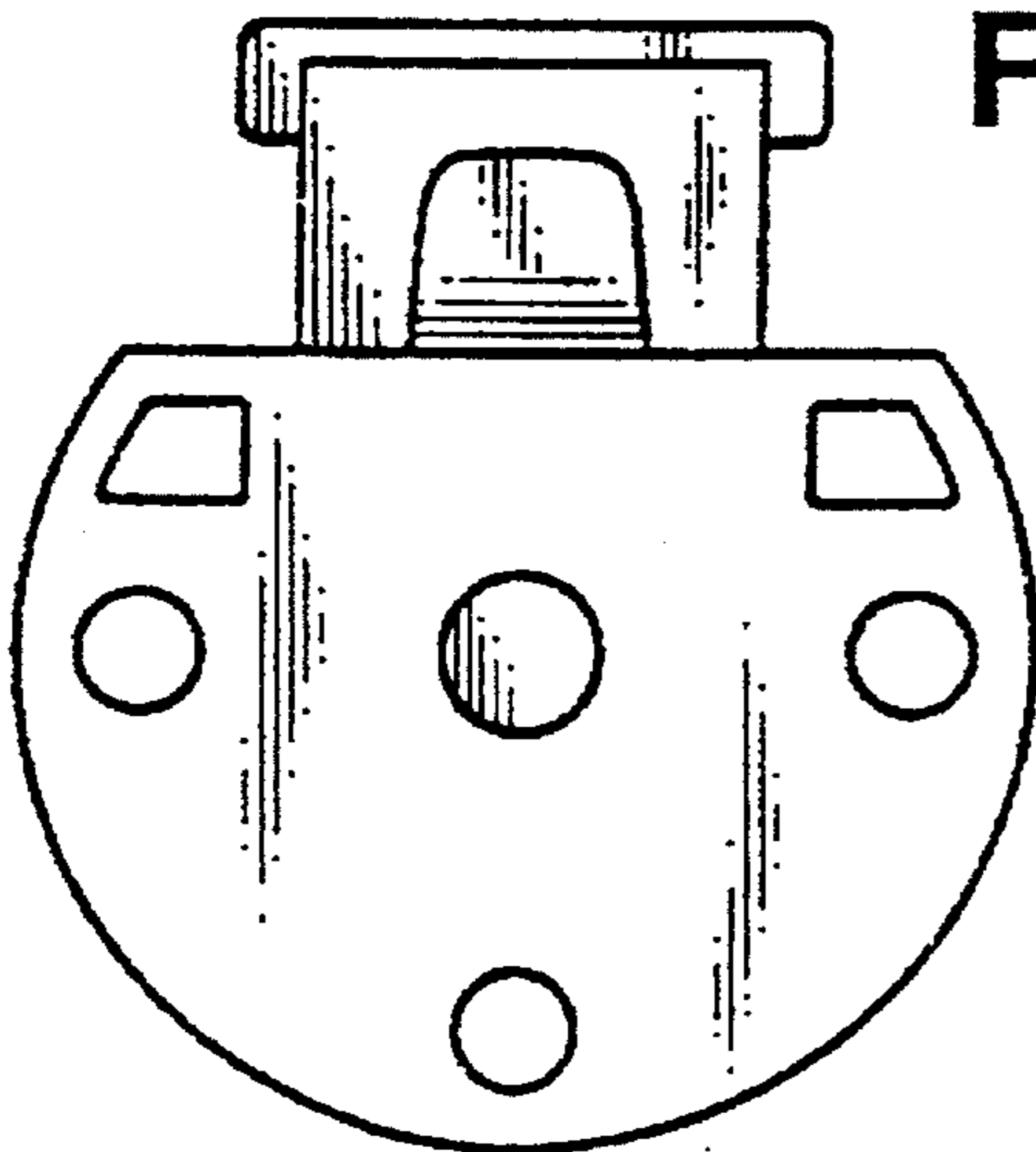
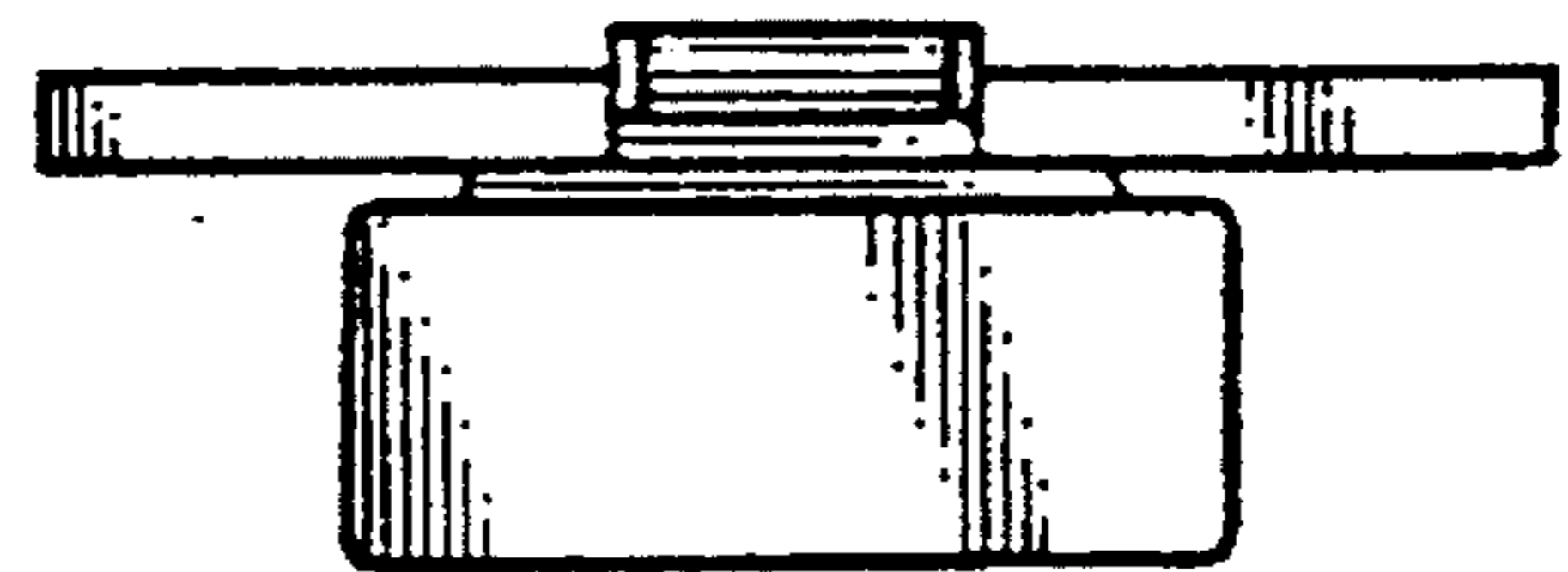


FIG. 7



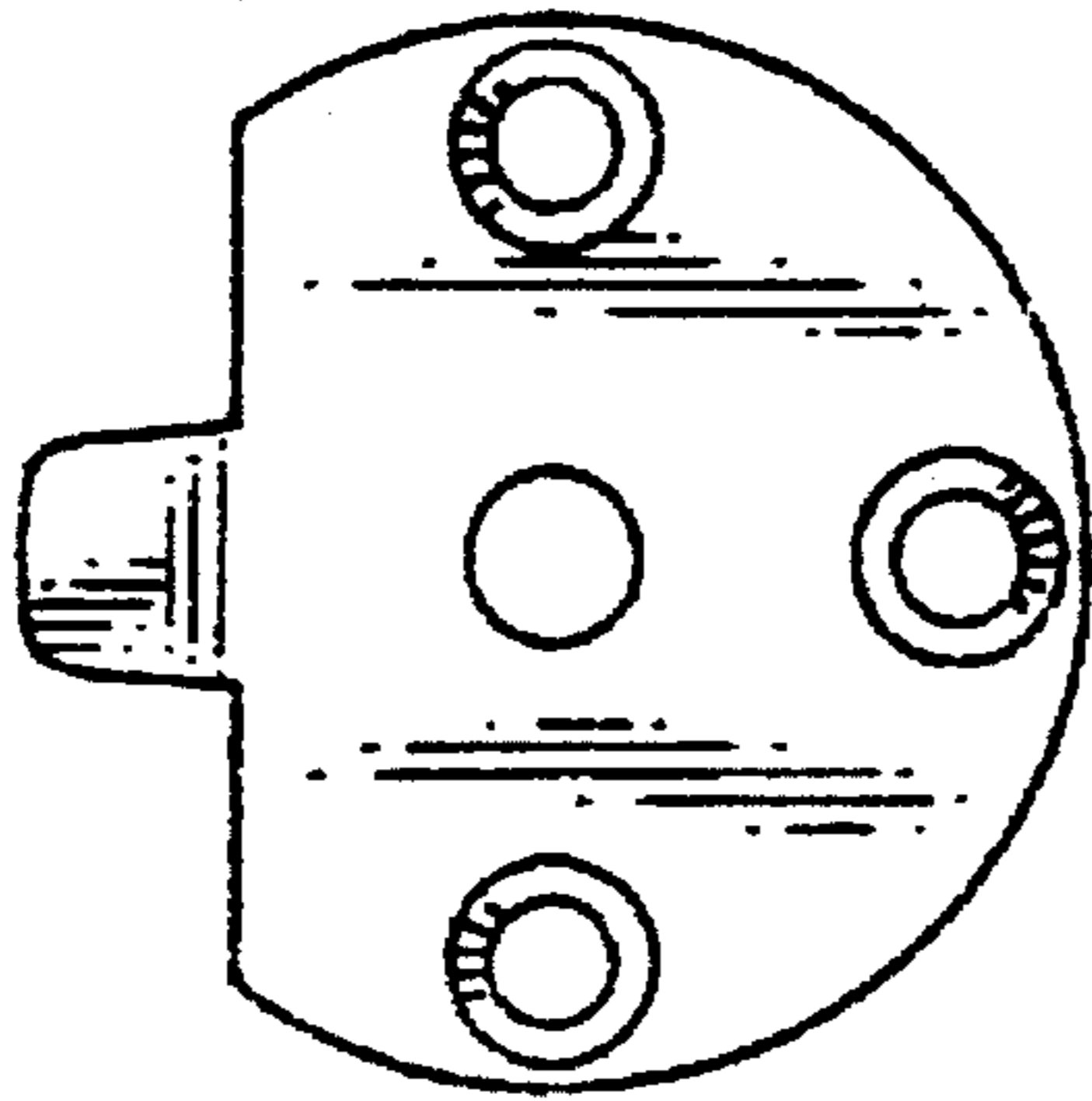


FIG. 8

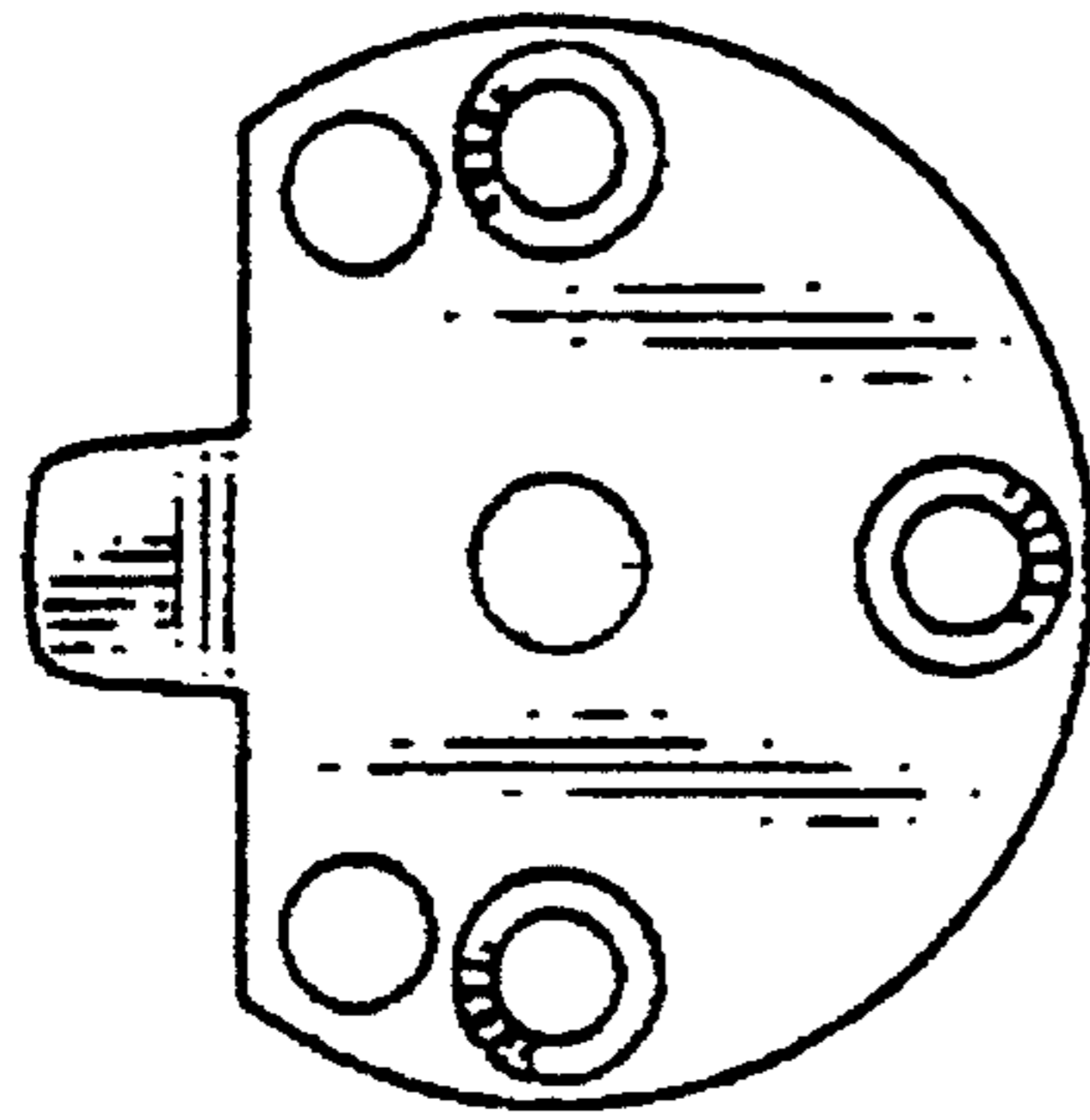


FIG. 9

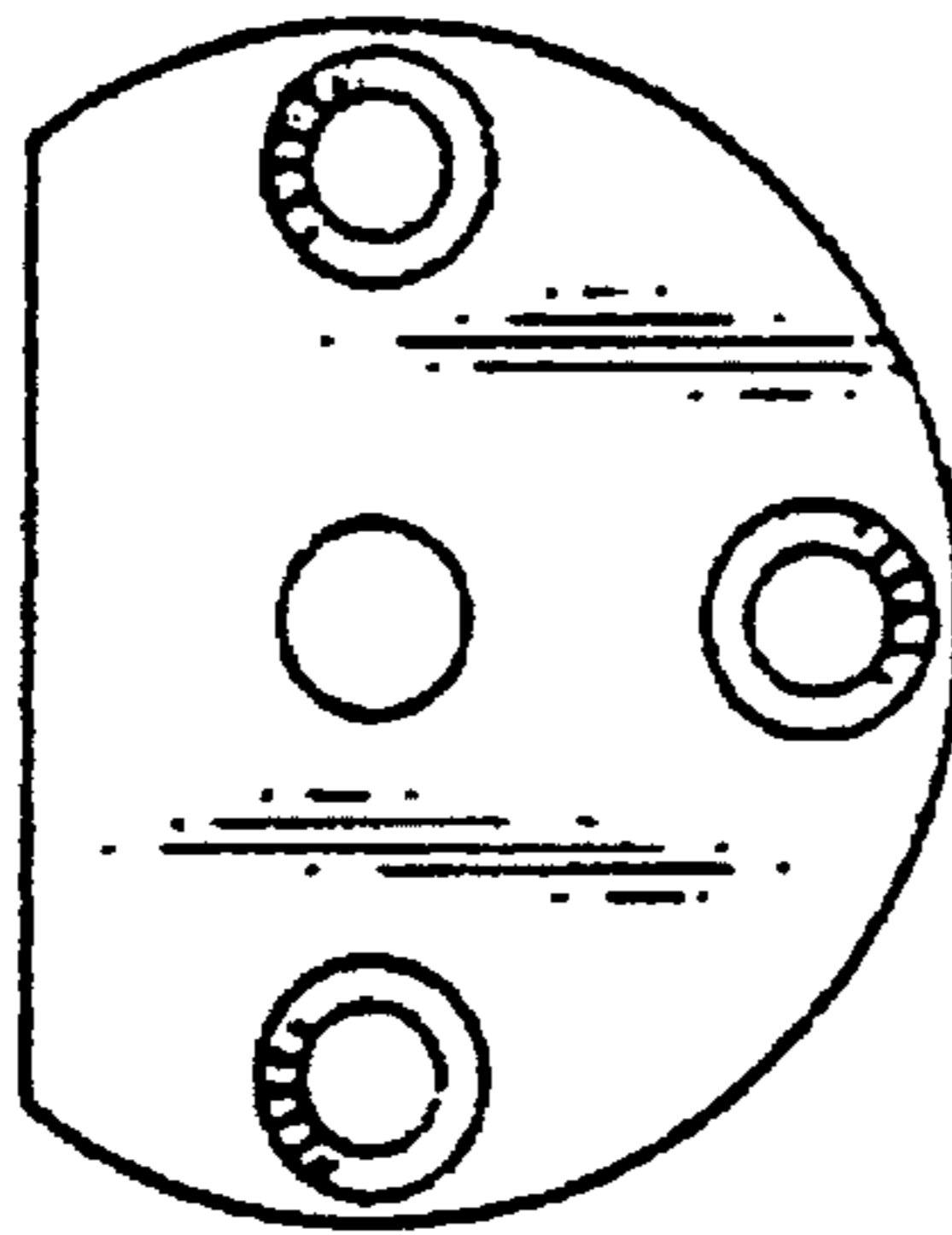


FIG. 10

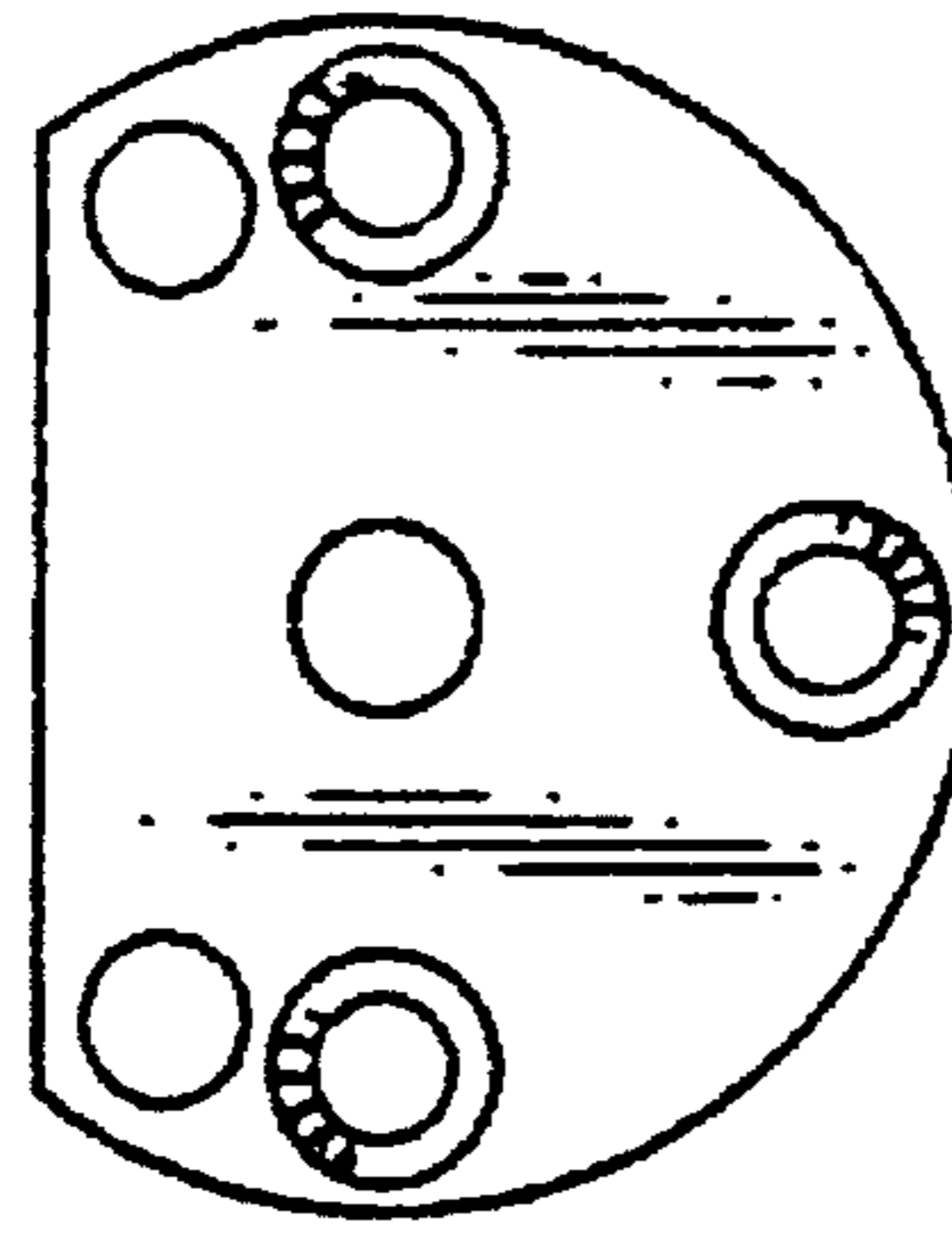


FIG. 11

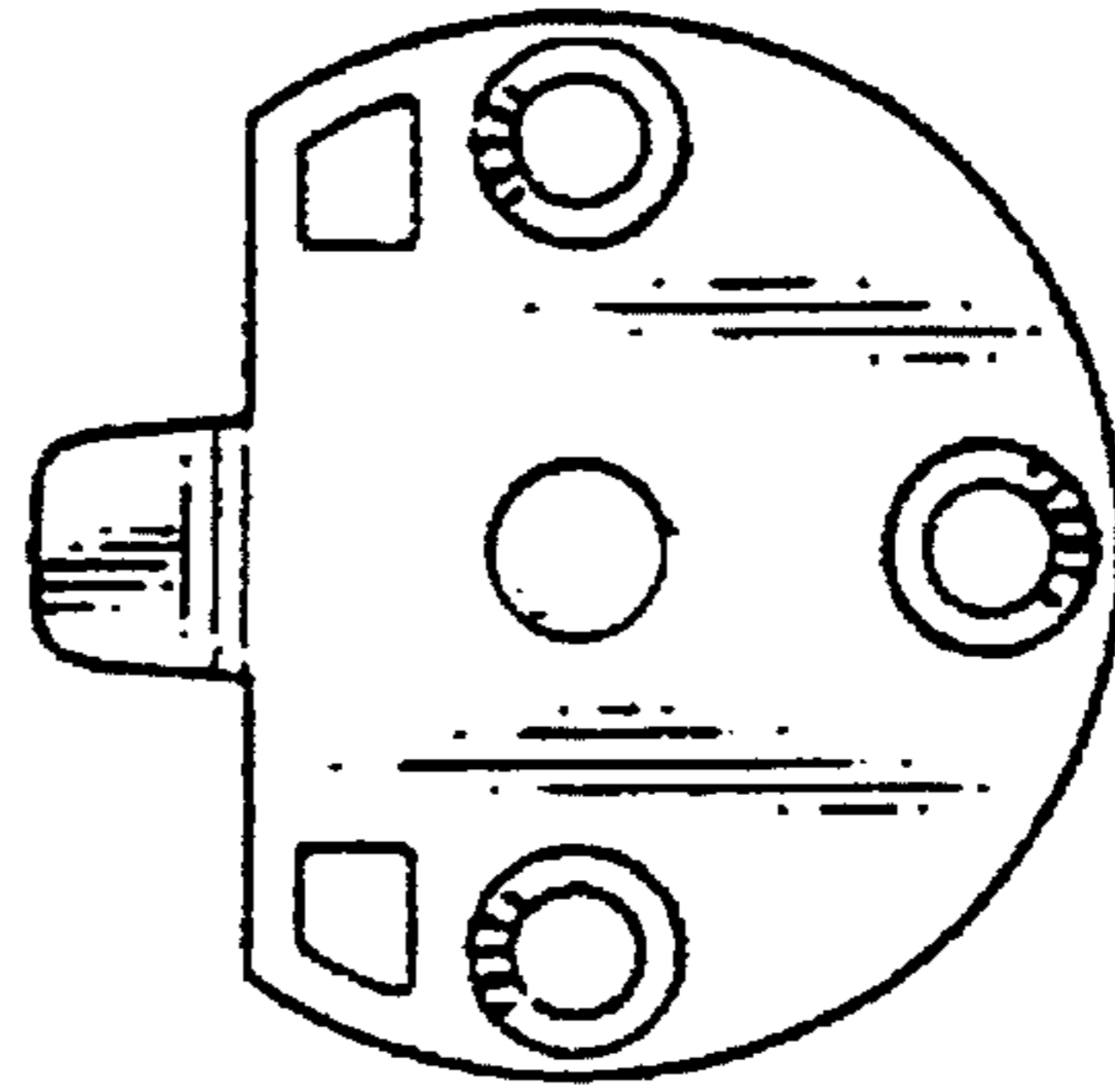


FIG. 12

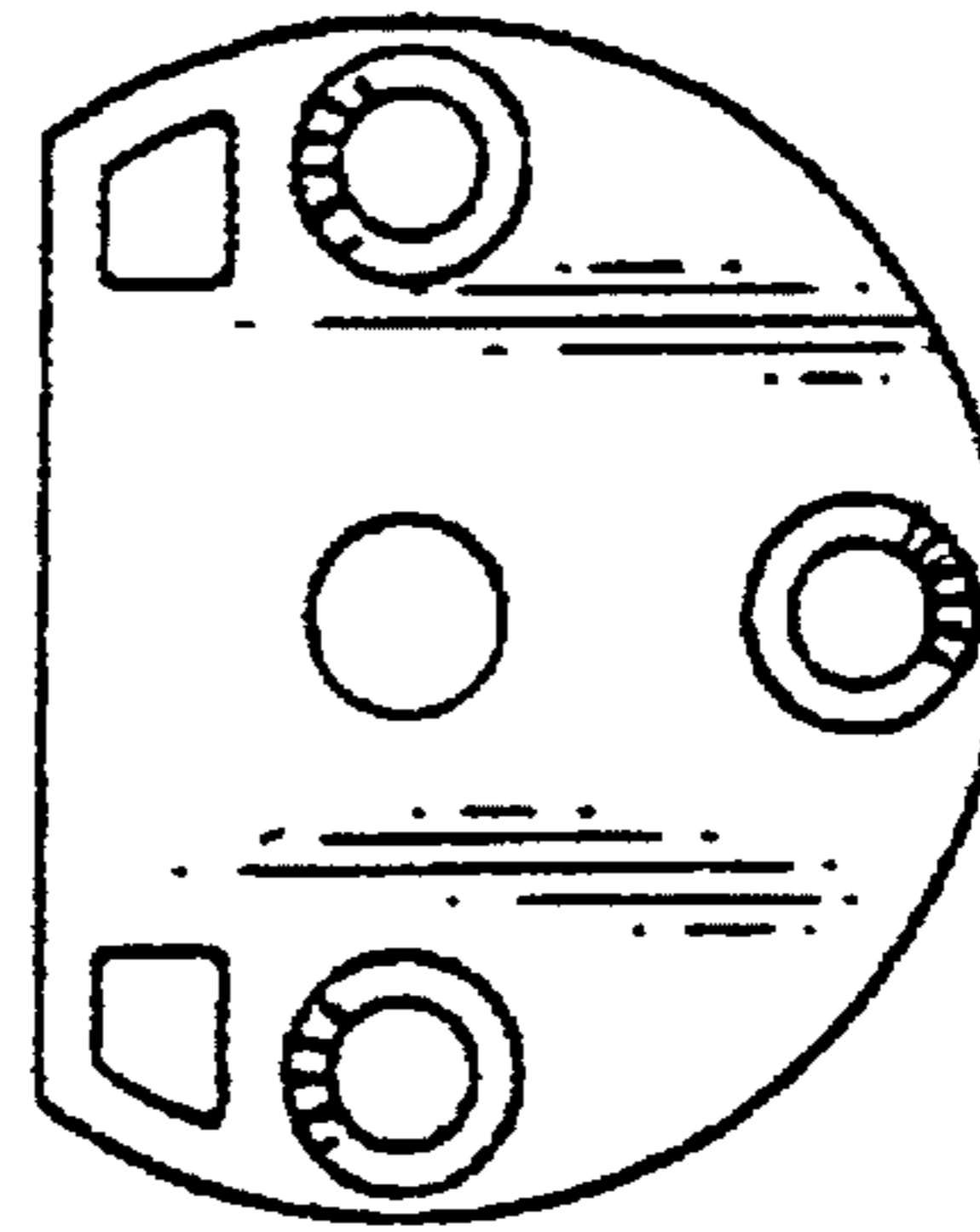


FIG. 13