



US00D365978S

United States Patent [19]

[11] Patent Number: **Des. 365,978**

Rekuc et al.

[45] Date of Patent: ****Jan. 9, 1996**

[54] SNAP HOOK

5,127,137 7/1992 Krauss 24/265 H X
5,253,396 10/1993 Rekuc .

[75] Inventors: **Richard J. Rekuc**, Pattenburg; **Jeffrey Bertelsen**, Sommerville, both of N.J.

Primary Examiner—A. Hugo Word
Assistant Examiner—Holly Baynham
Attorney, Agent, or Firm—Herbert Dubno

[73] Assignee: **TUMI**, Middlesex, N.J.

[**] Term: **14 Years**

[57] **CLAIM**

The ornamental design for a snap hook, as shown.

[21] Appl. No.: **31,324**

DESCRIPTION

[22] Filed: **Nov. 22, 1994**

[52] U.S. Cl. **D8/367**; D8/382

FIG. 1 is a front elevational view of a snap hook embodying our new design;

[58] Field of Search D8/367, 383, 382;
24/265 H, 265 R

FIG. 2 is a rear elevational view thereof;

FIG. 3 is a right side elevational view thereof;

FIG. 4 is a left side elevational view thereof;

FIG. 5 is a top view thereof; and,

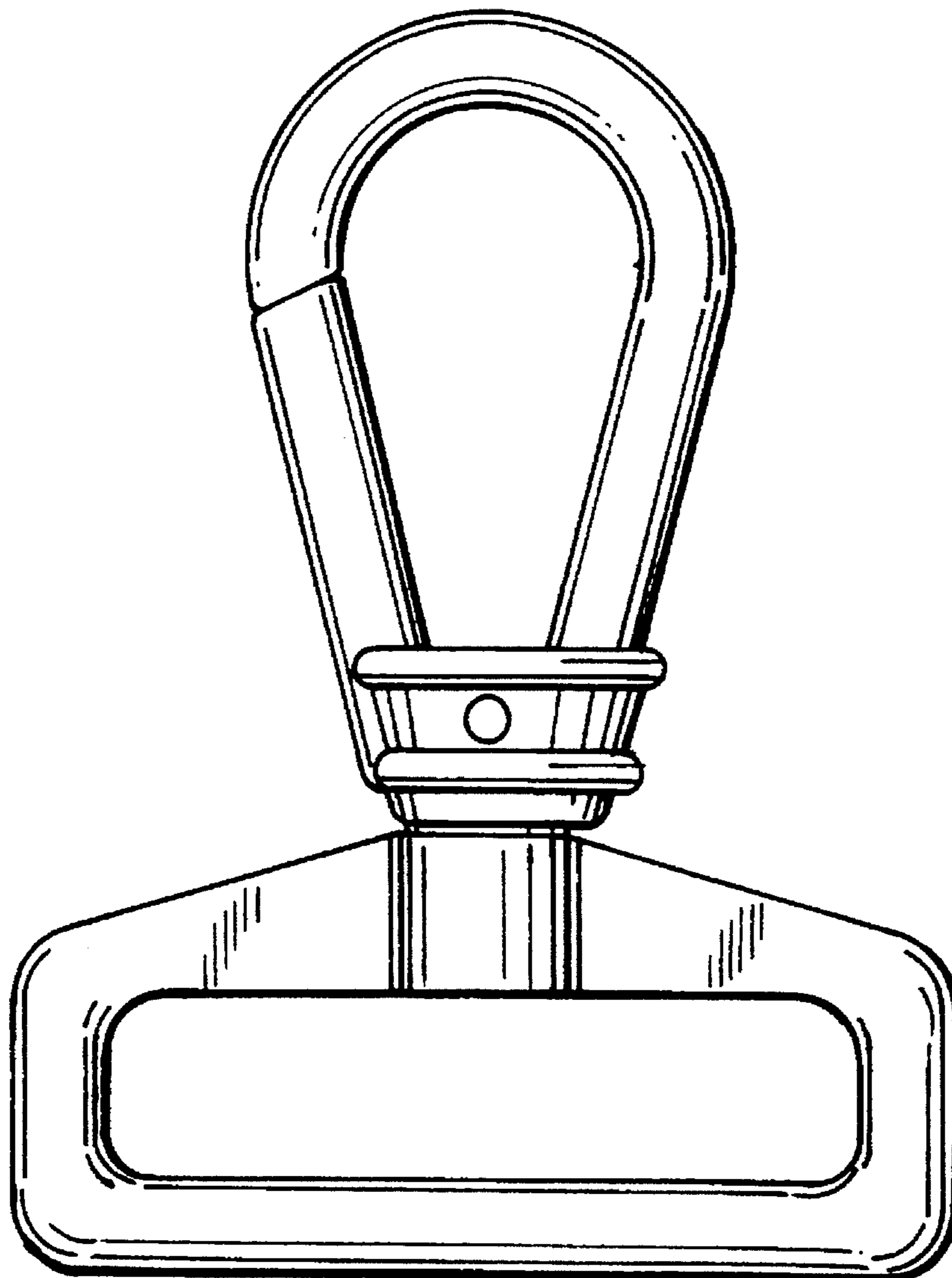
FIG. 6 is a bottom view thereof.

[56] **References Cited**

U.S. PATENT DOCUMENTS

D. 354,433 1/1995 Anscher D8/382
2,293,348 6/1980 Witter 24/265 H X
4,868,954 9/1989 Kasai 24/265 H

1 Claim, 1 Drawing Sheet



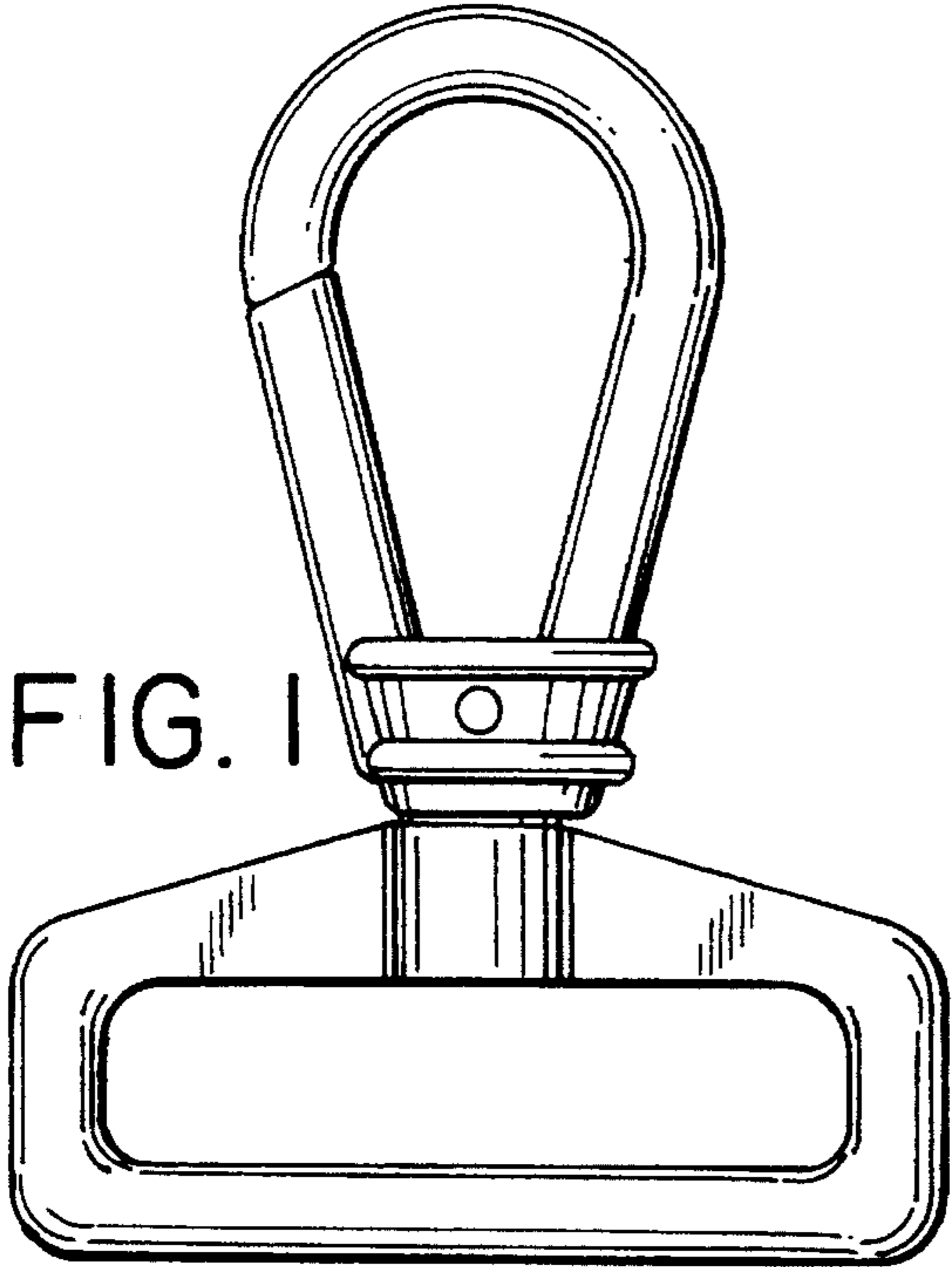


FIG. 1

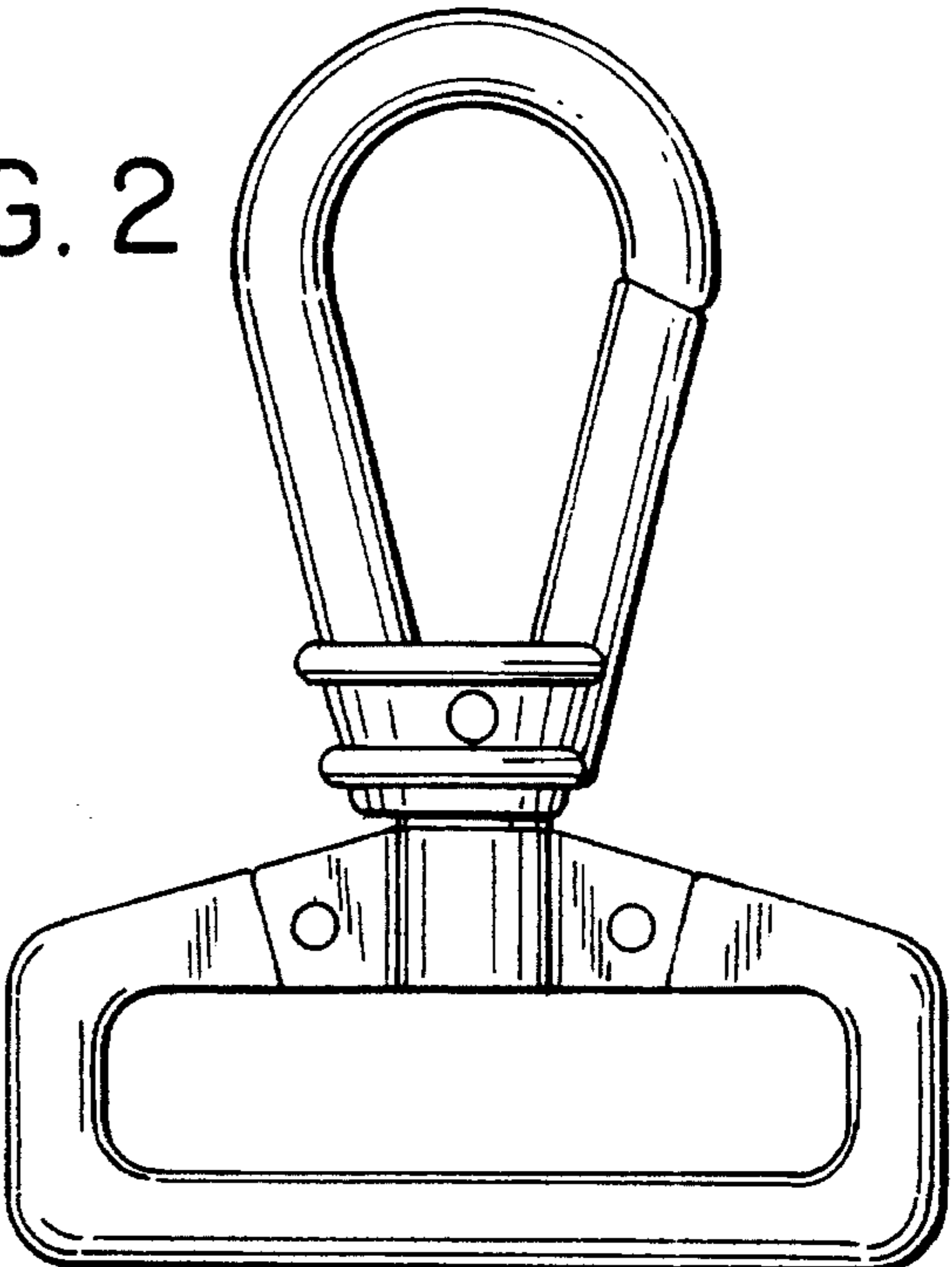


FIG. 2

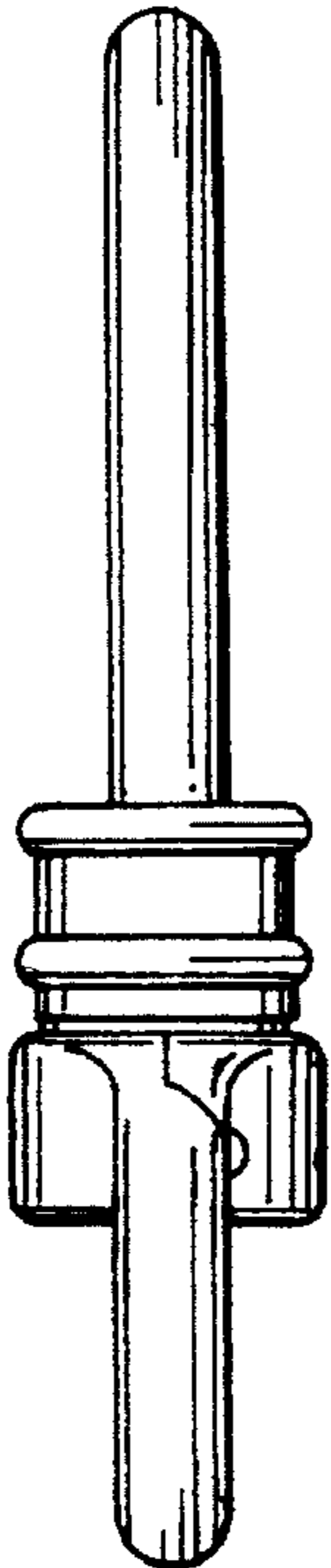


FIG. 3

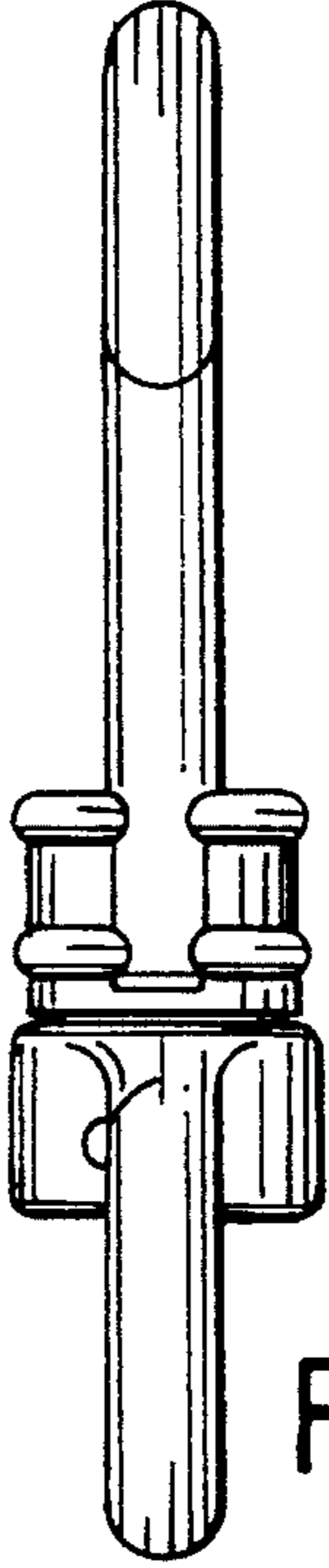


FIG. 4

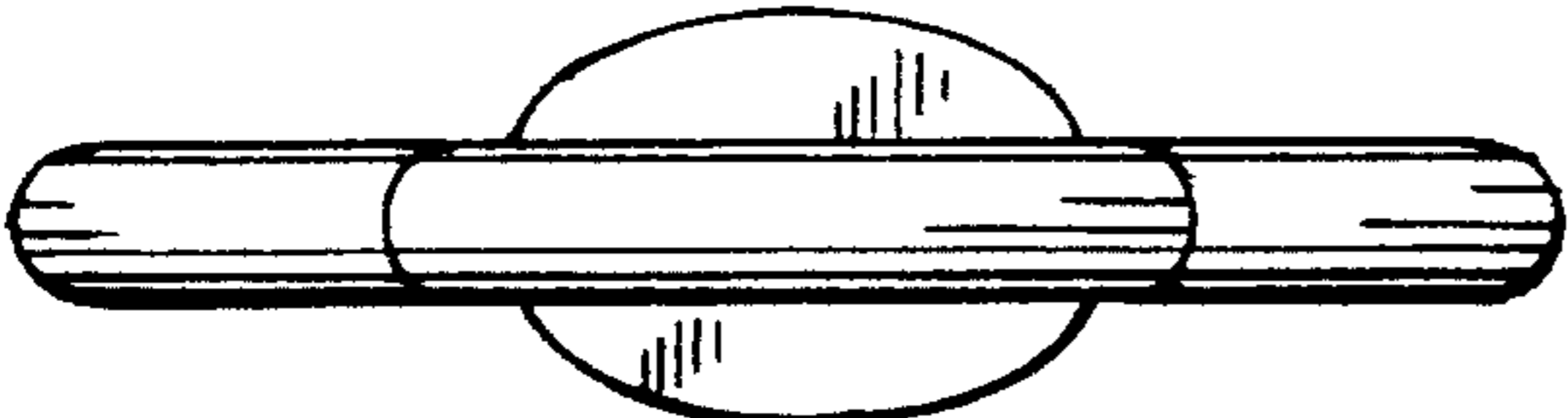


FIG. 5

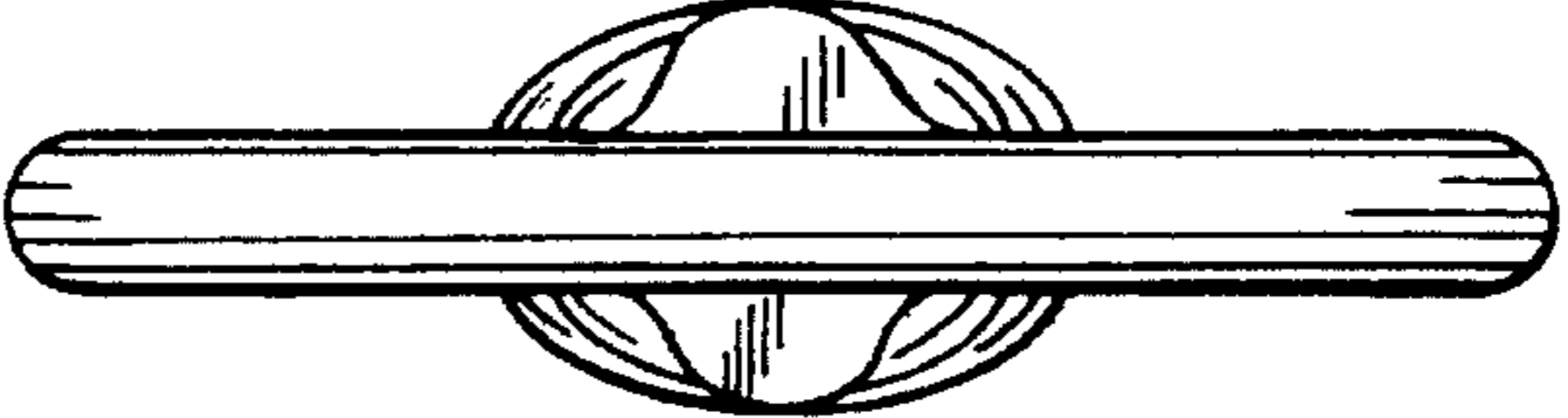


FIG. 6