



US00D365977S

# United States Patent [19] Smith

[11] Patent Number: **Des. 365,977**

[45] Date of Patent: **\*\*Jan. 9, 1996**

[54] **TRIMMER LINE REWINDER**

FOREIGN PATENT DOCUMENTS

[76] Inventor: **Barry L. Smith**, P.O. Box 185,  
DeArmanville, Ala. 36257

347810 1/1922 Germany ..... 242/395

[\*\*] Term: **14 Years**

*Primary Examiner*—A. Hugo Word  
*Assistant Examiner*—Holly Baynham

[21] Appl. No.: **21,718**

[57] **CLAIM**

[22] Filed: **Apr. 22, 1994**

The ornamental design for a trimmer line rewriter, as shown and described.

[52] U.S. Cl. .... **D8/359**

[58] Field of Search ..... D8/358-359; 242/395,  
242/405.3, 128-129, 598.5

### DESCRIPTION

[56] **References Cited**

#### U.S. PATENT DOCUMENTS

D. 210,088	2/1968	Kircher	.....	D8/359
D. 225,723	1/1973	Hallowell	.....	D8/359
D. 292,669	11/1987	Fomby	.....	D8/359
D. 338,391	8/1993	Price	.....	D8/359
2,896,872	7/1959	Dresser	.....	D8/359 X
3,954,226	5/1976	Pickering	.....	242/405.3 X

FIG. 1 is a front elevational view of the trimmer line rewriter showing my new design;  
FIG. 2 is a rear elevational view thereof;  
FIG. 3 is a left side elevational view thereof;  
FIG. 4 is a right side elevational view thereof;  
FIG. 5 is a top plan view thereof; and,  
FIG. 6 is a bottom plan view thereof.

**1 Claim, 3 Drawing Sheets**

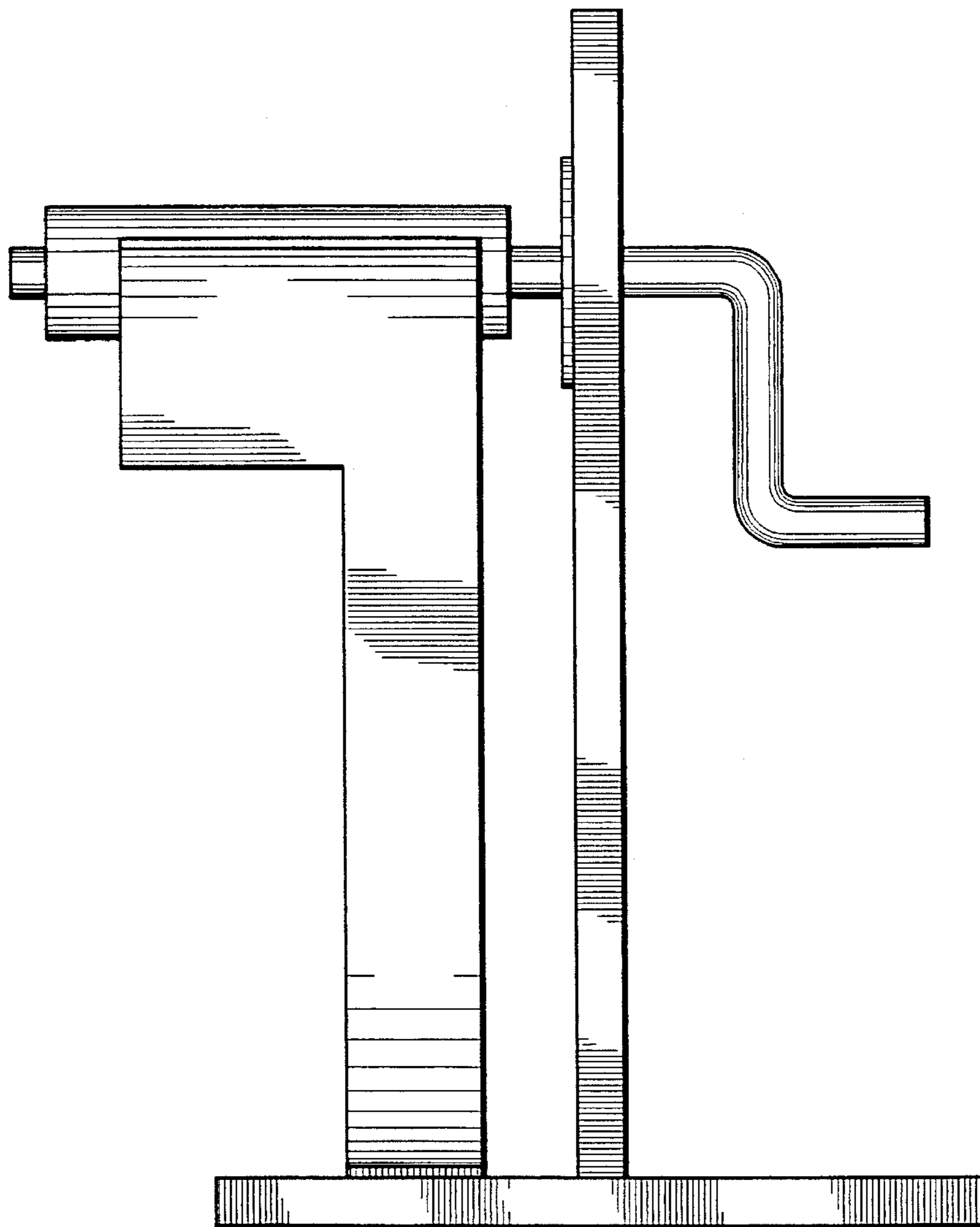


FIG. 1

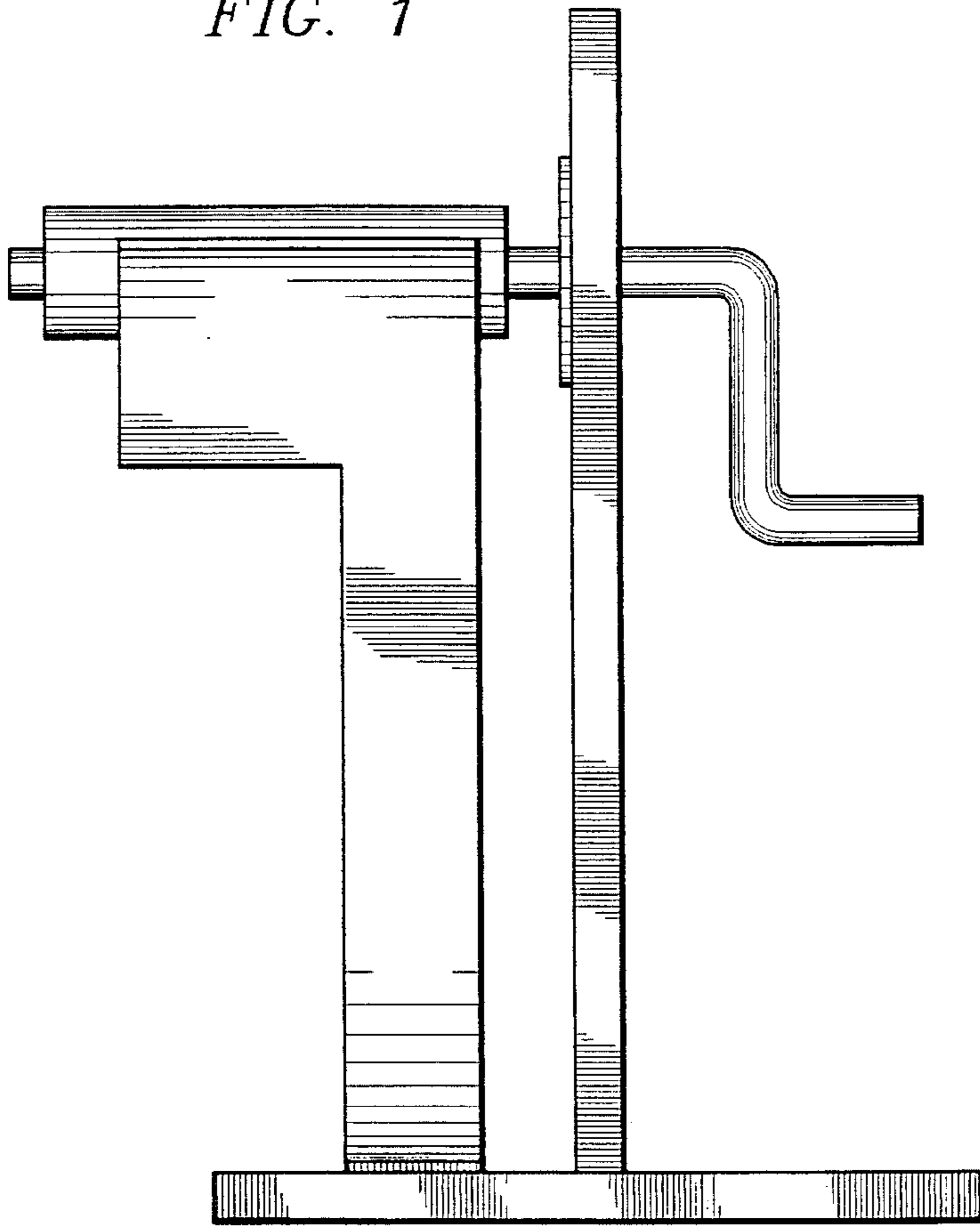


FIG. 2

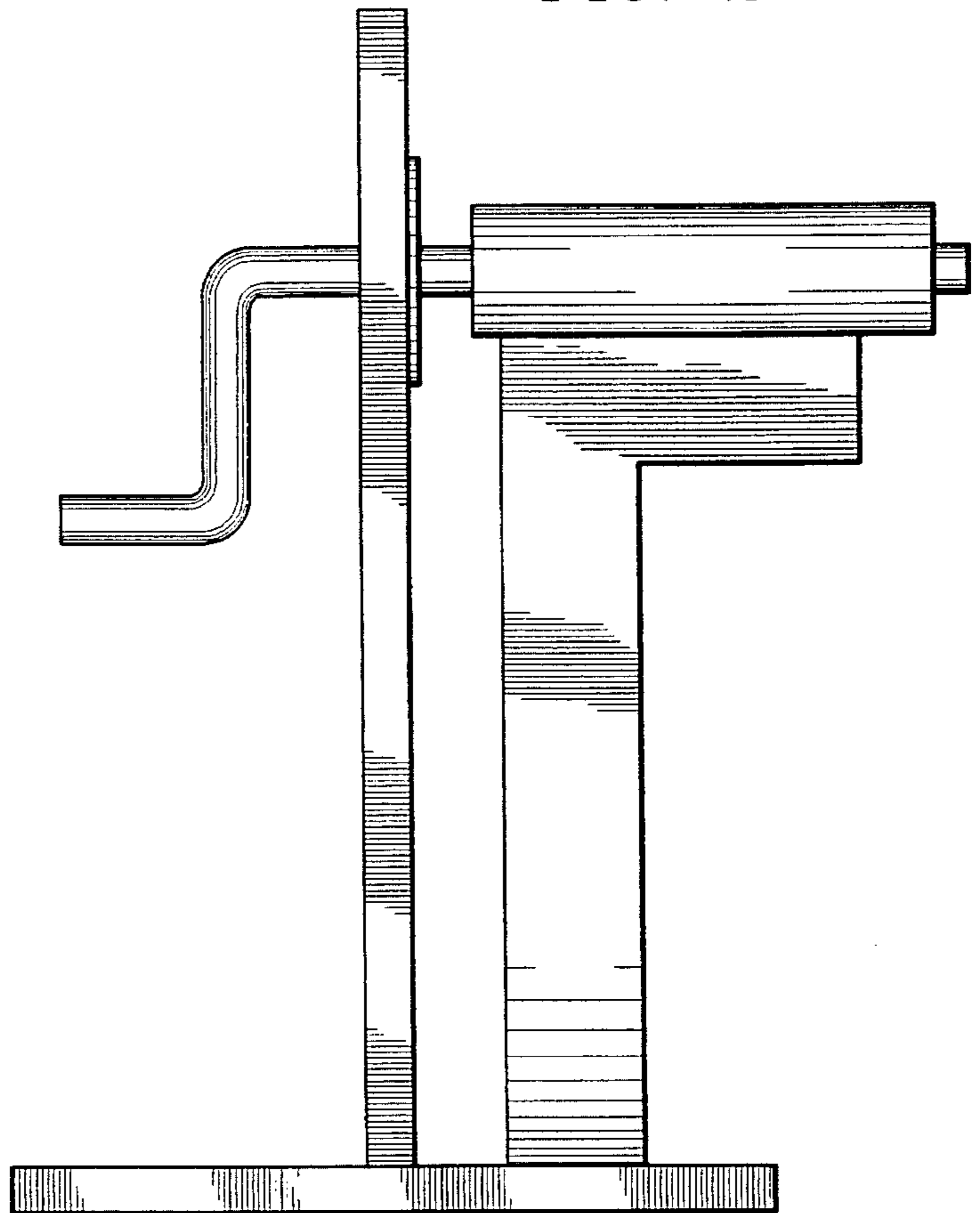


FIG. 3

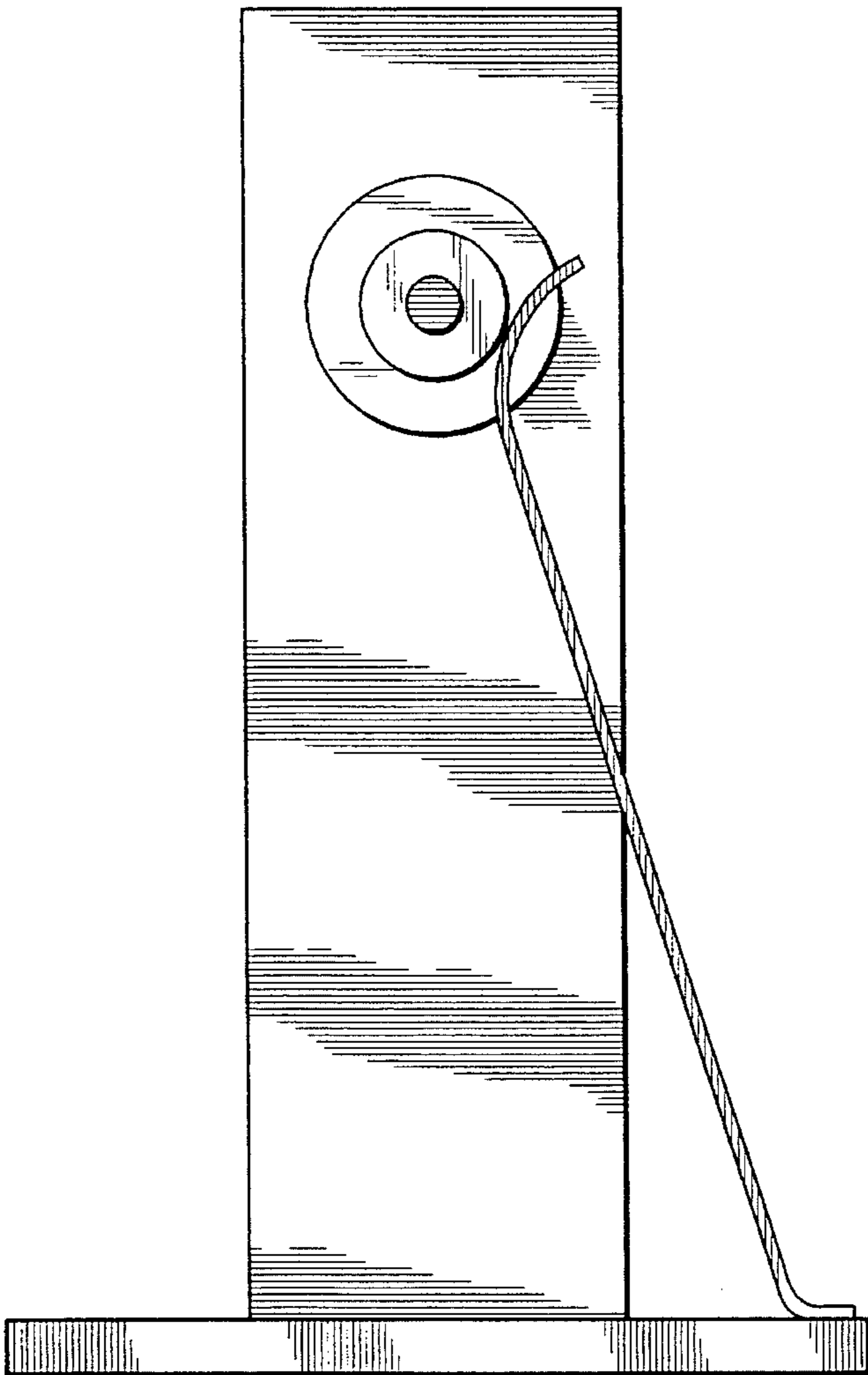


FIG. 4

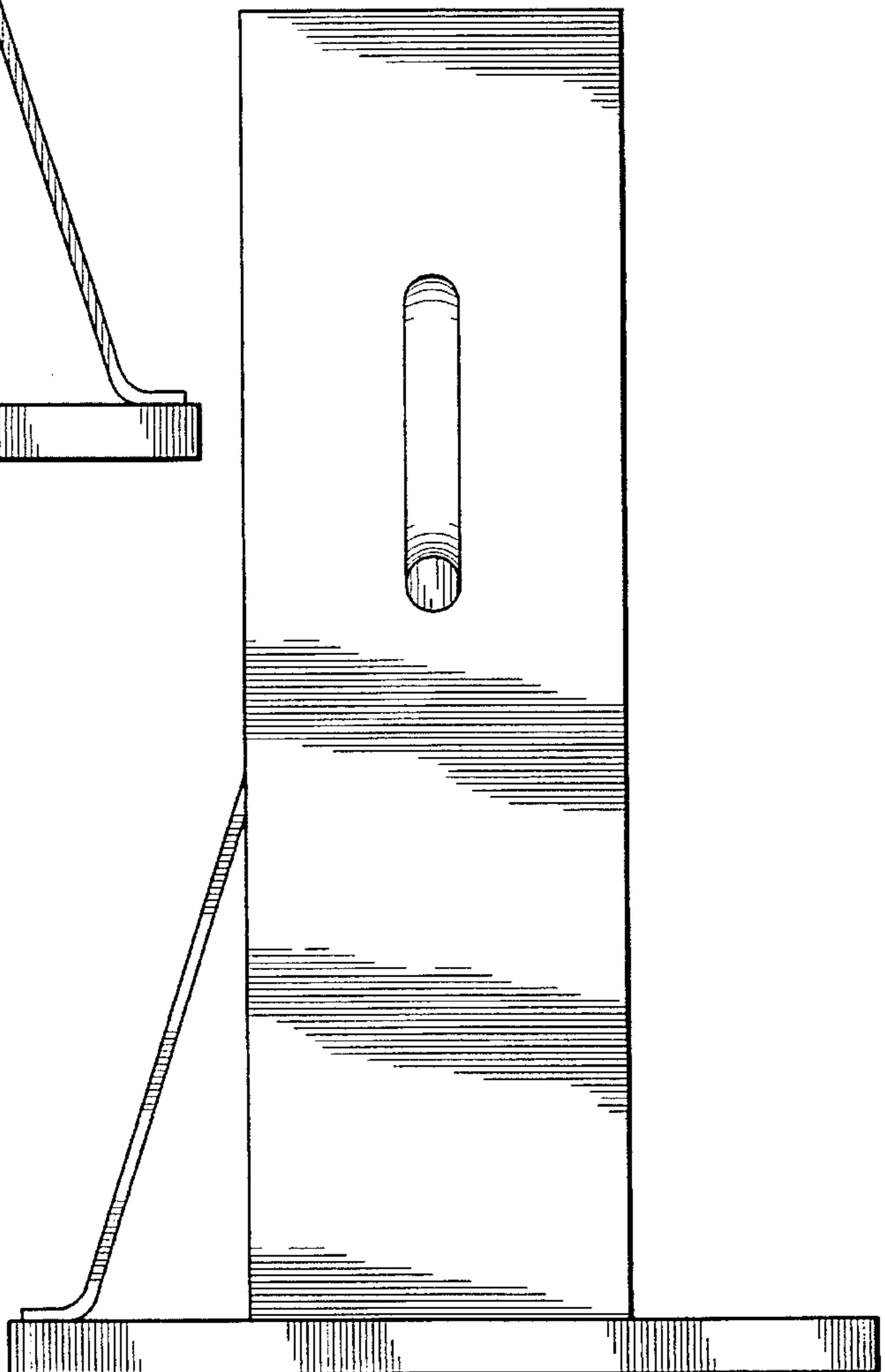


FIG. 5

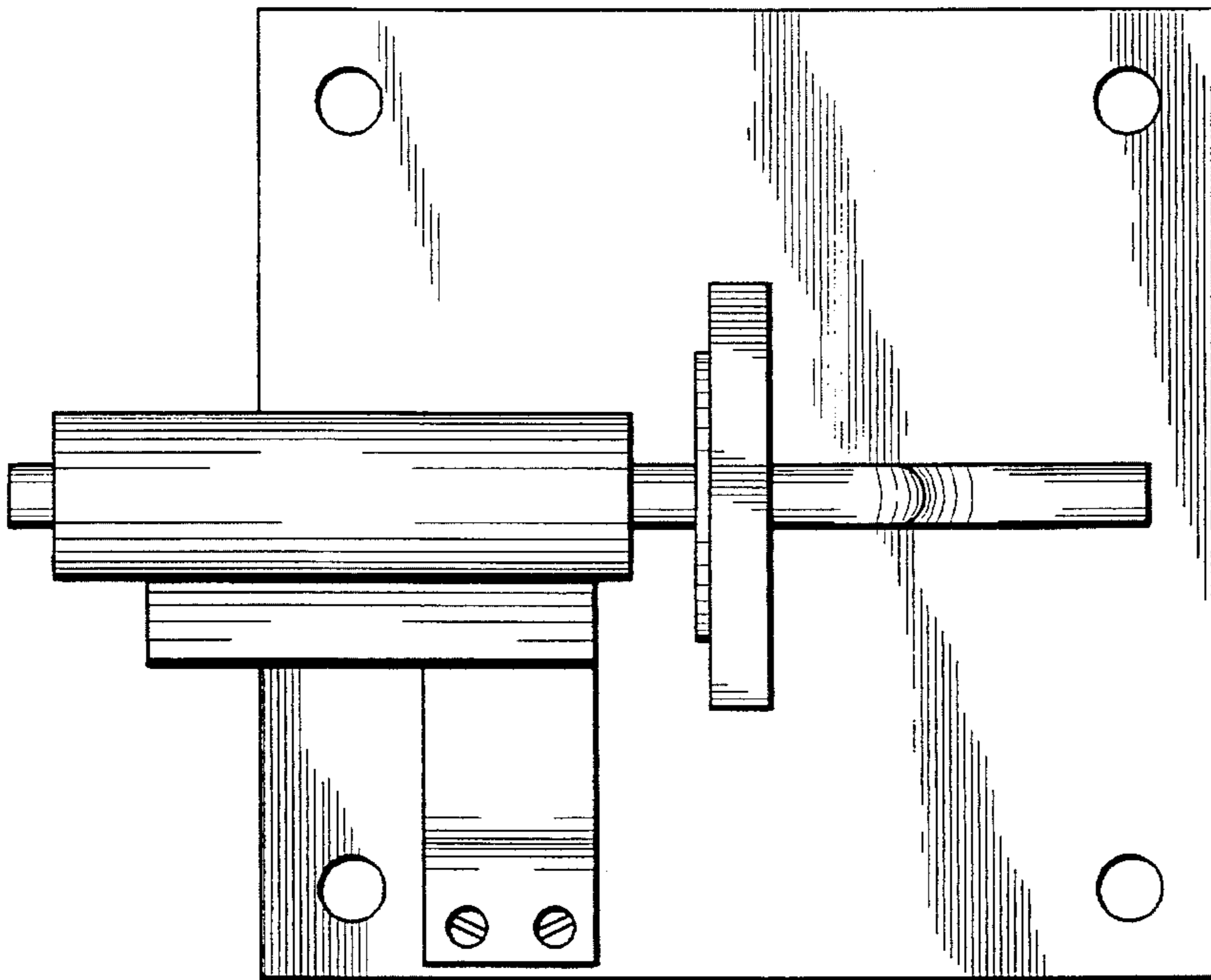


FIG. 6

