



US00D365976S

United States Patent [19]

Chiu

[11] Patent Number: **Des. 365,976**

[45] Date of Patent: ****Jan. 9, 1996**

[54] **COMBINATION LOCK**

[76] Inventor: **Chu C. Chiu**, 117, Cherng Gong East Road, Yuan Lin Town, Changhwa County, Taiwan

[**] Term: **14 Years**

[21] Appl. No.: **35,457**

[22] Filed: **Feb. 28, 1995**

[52] U.S. Cl. **D8/330**

[58] Field of Search D8/330-331, 336, D8/338, 300, 307-308; 70/89, 91, 101, 207, 209, 213-214, 266, 275, 277, 284, 288, 366

[56] **References Cited**

U.S. PATENT DOCUMENTS

- D. 305,861 2/1990 Kautt D8/330
- D. 312,957 12/1990 Huang D8/331 X
- D. 313,159 12/1990 Kautt D8/331 X
- D. 351,982 1/1994 Chen D8/330

- D. 353,530 12/1994 Gartner D8/330
- 4,671,086 6/1987 Fogelman et al. 70/277
- 4,972,691 11/1990 Knight 70/213

Primary Examiner—Brian N. Vinson
Attorney, Agent, or Firm—Pro-Techtor International

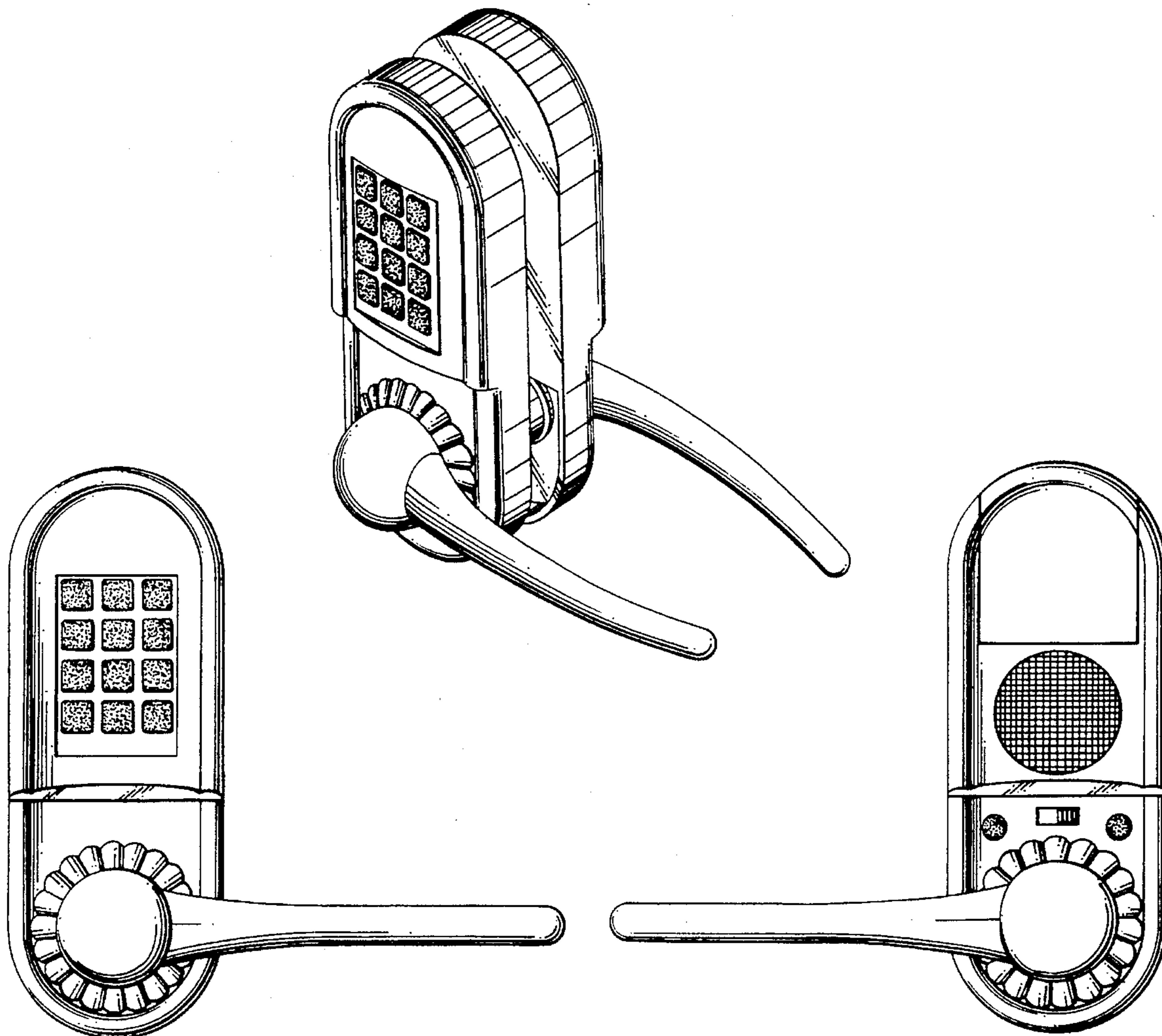
[57] **CLAIM**

The ornamental design for a combination lock, as shown and described.

DESCRIPTION

FIG. 1 is a top, front and right side perspective view of a combination lock showing my new design;
 FIG. 2 is a front elevational view;
 FIG. 3 is a rear elevational view;
 FIG. 4 is a left side elevational view;
 FIG. 5 is a right side elevational view;
 FIG. 6 is a top plan view; and,
 FIG. 7 is a bottom plan view thereof.

1 Claim, 4 Drawing Sheets



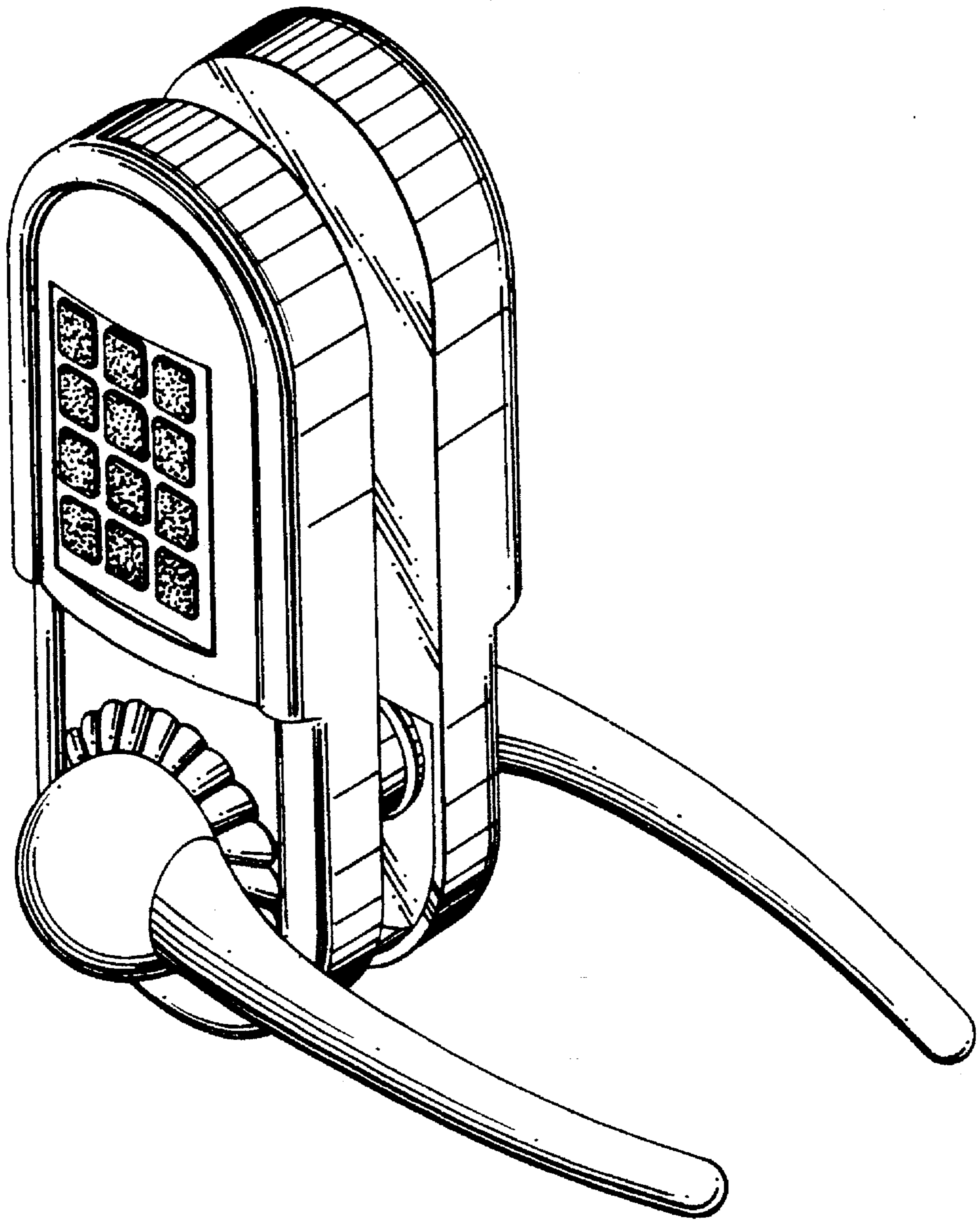


FIG. 1

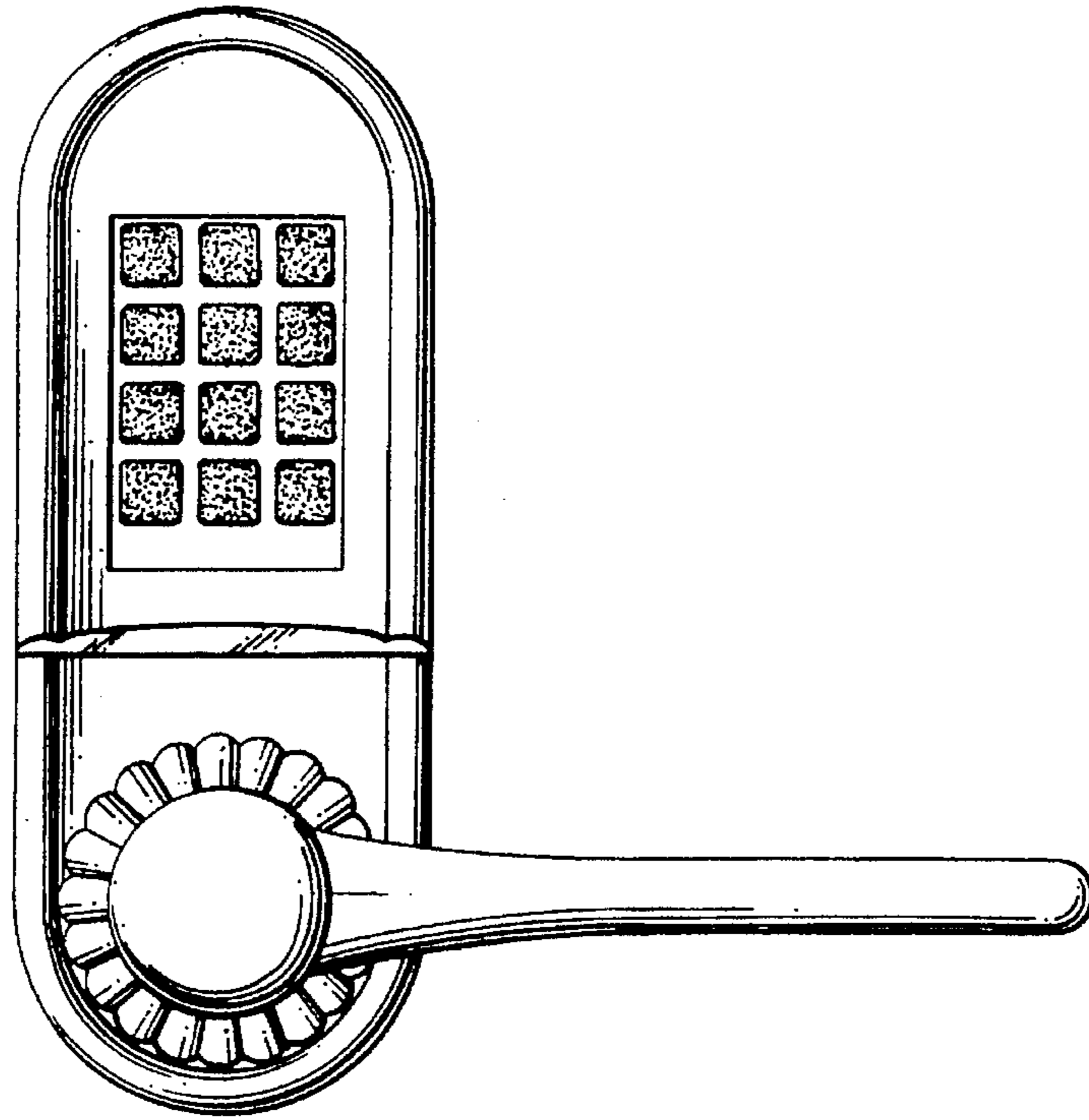


FIG. 2

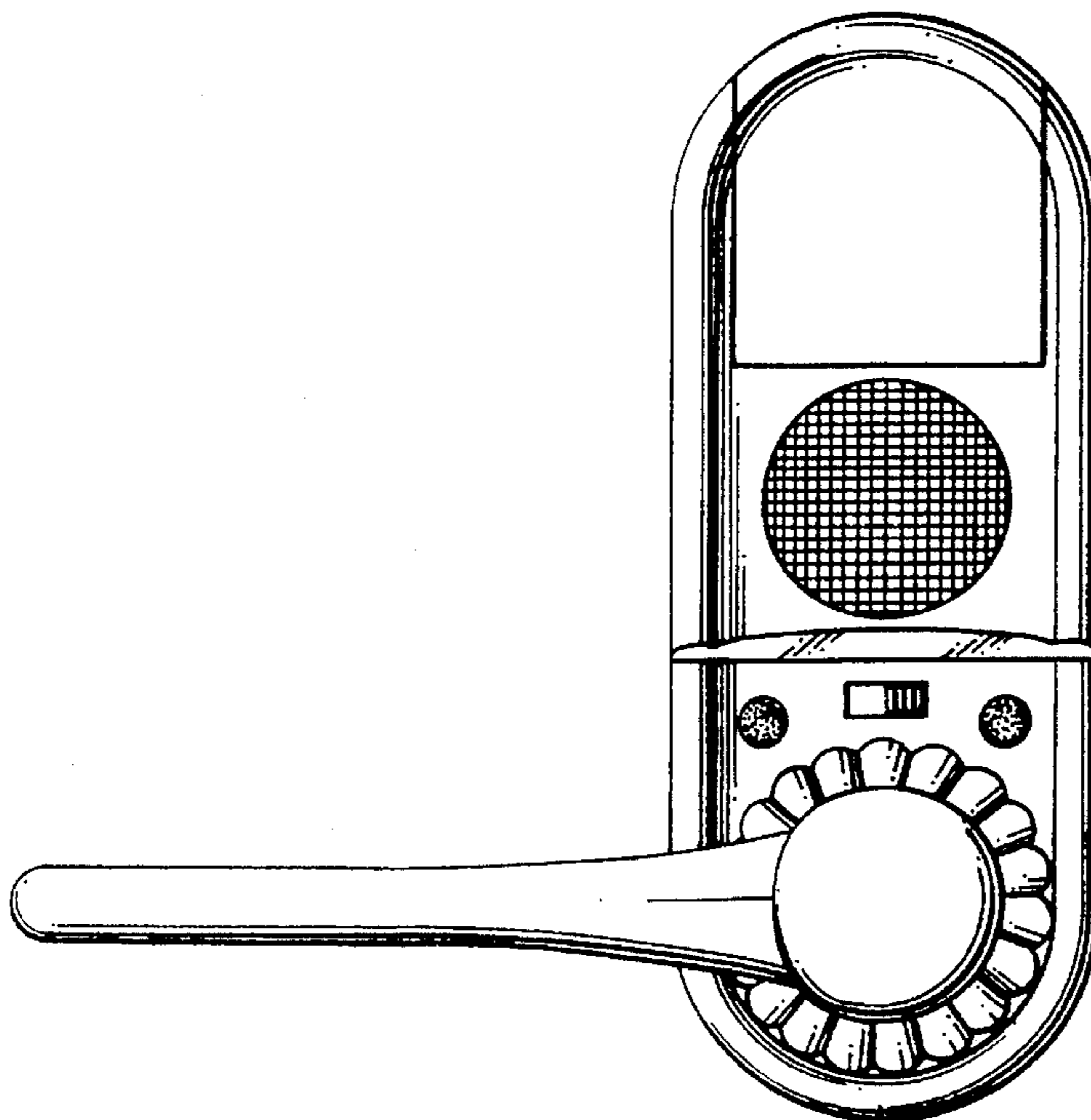


FIG. 3

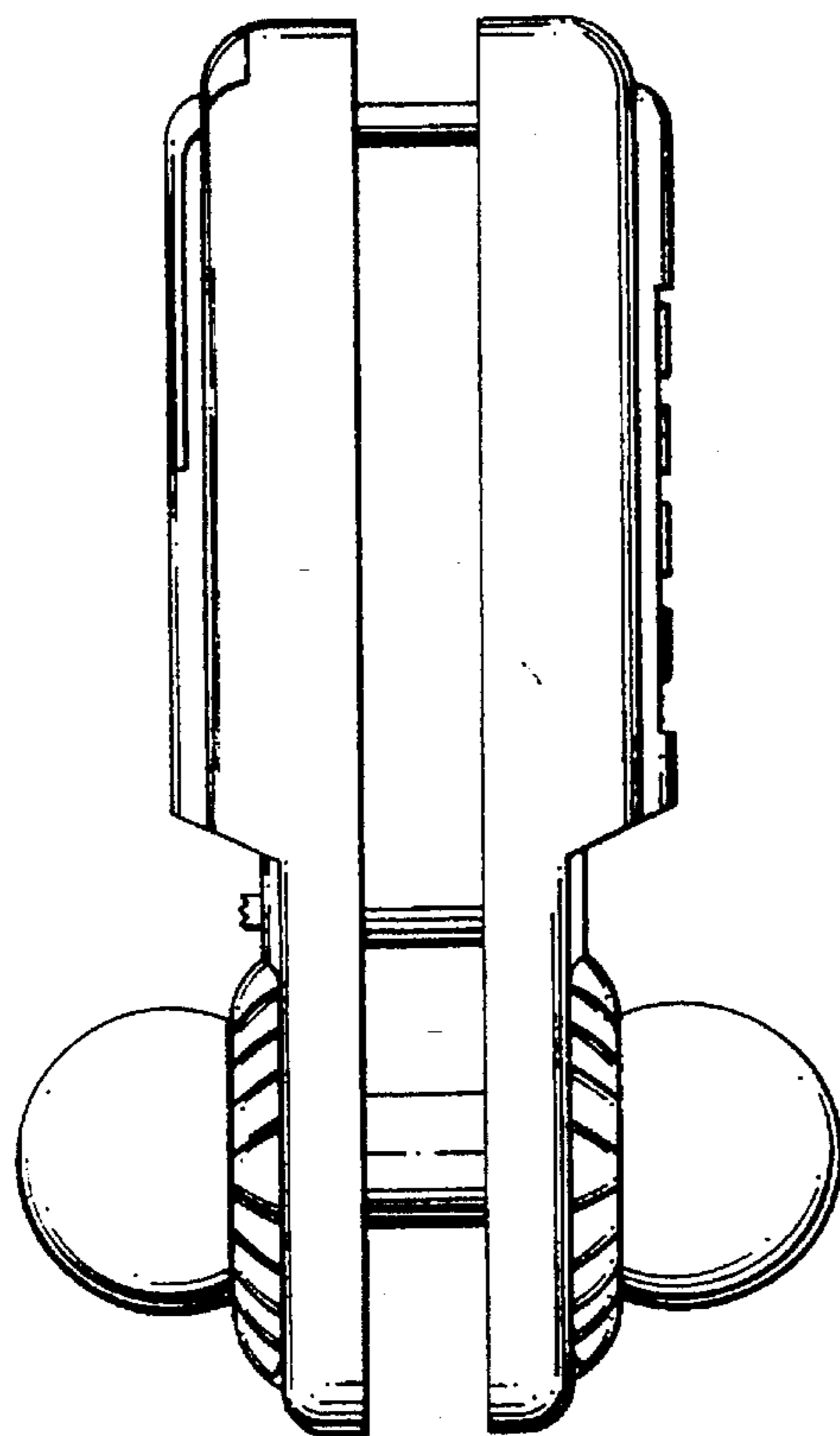


FIG. 4

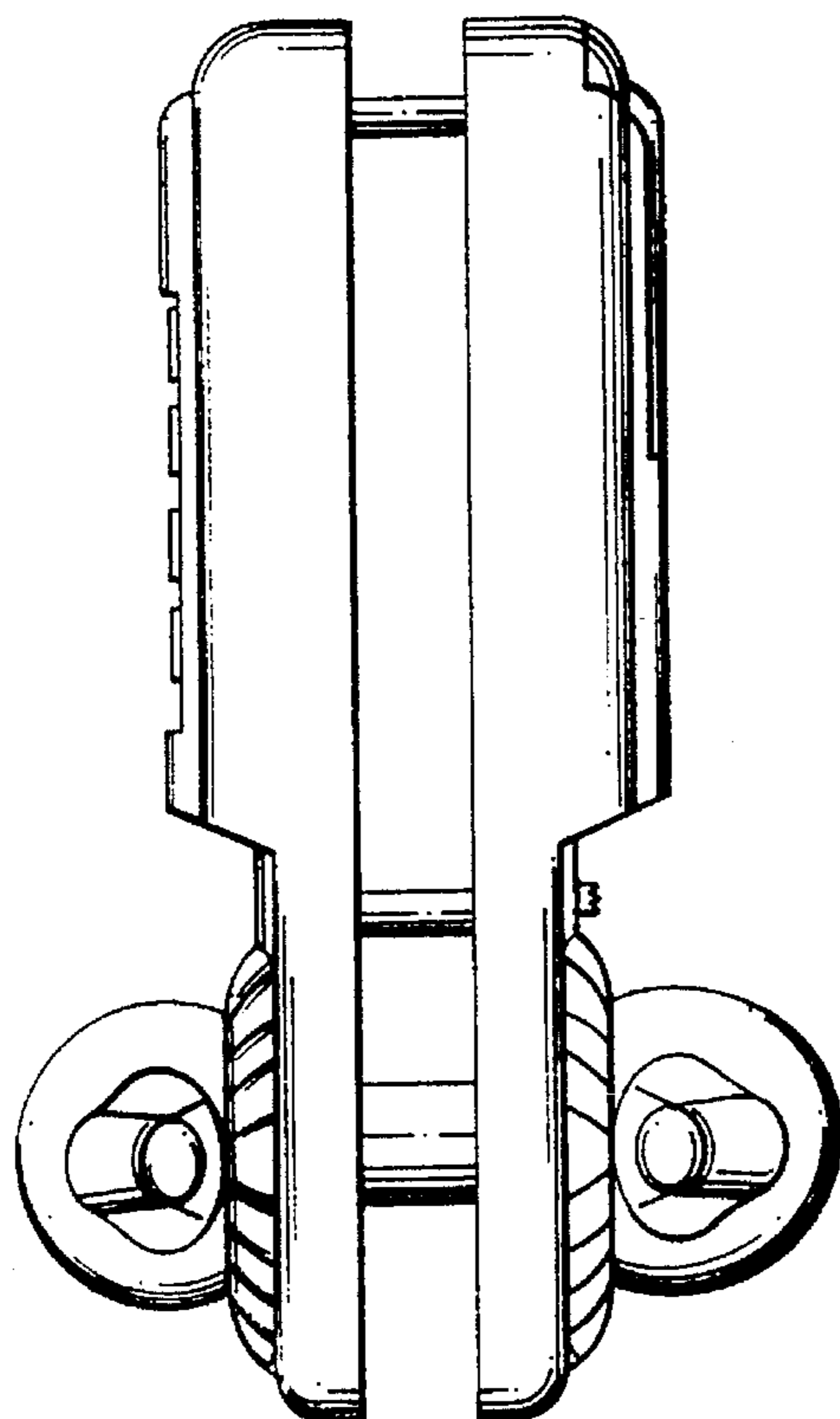


FIG. 5

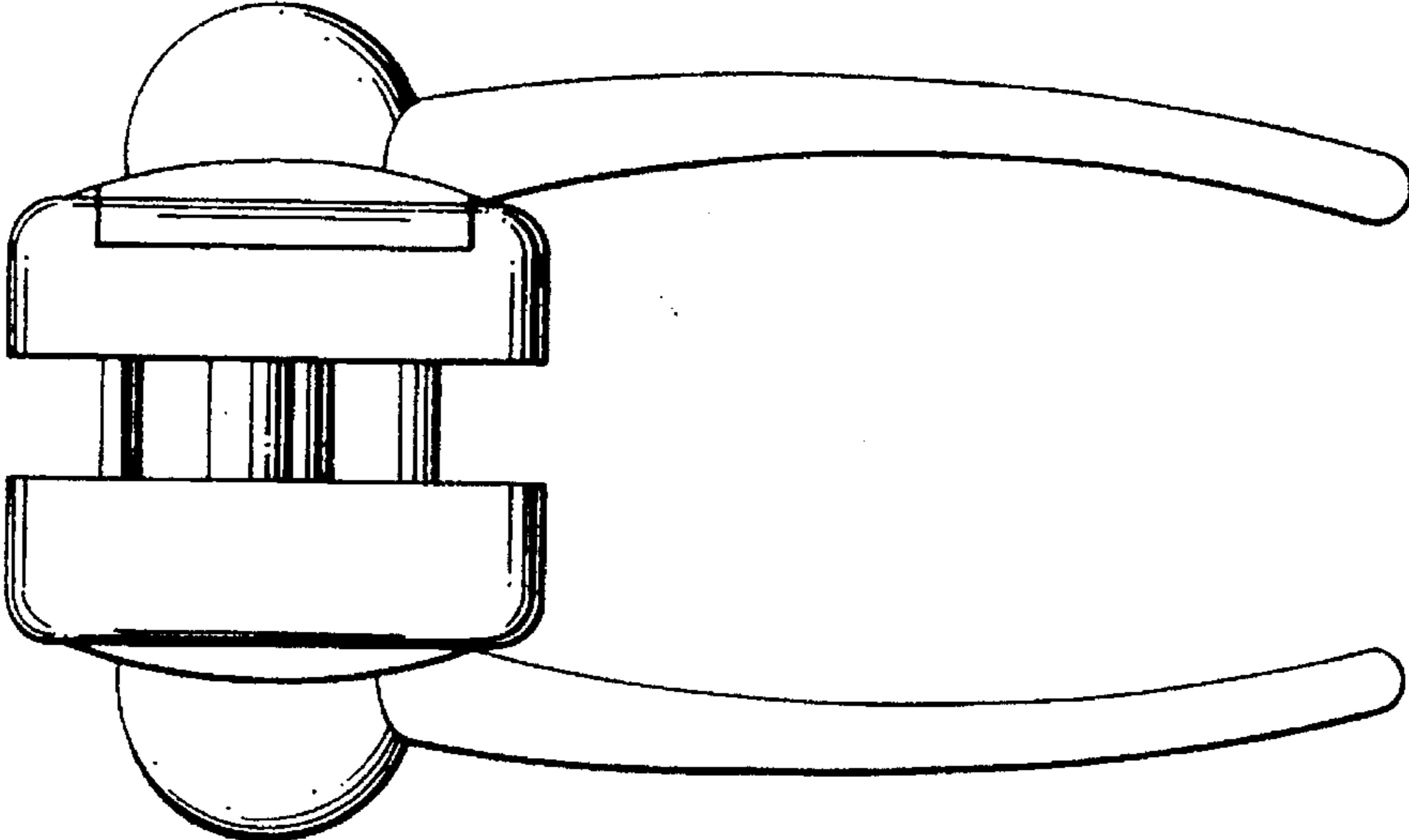


FIG. 6

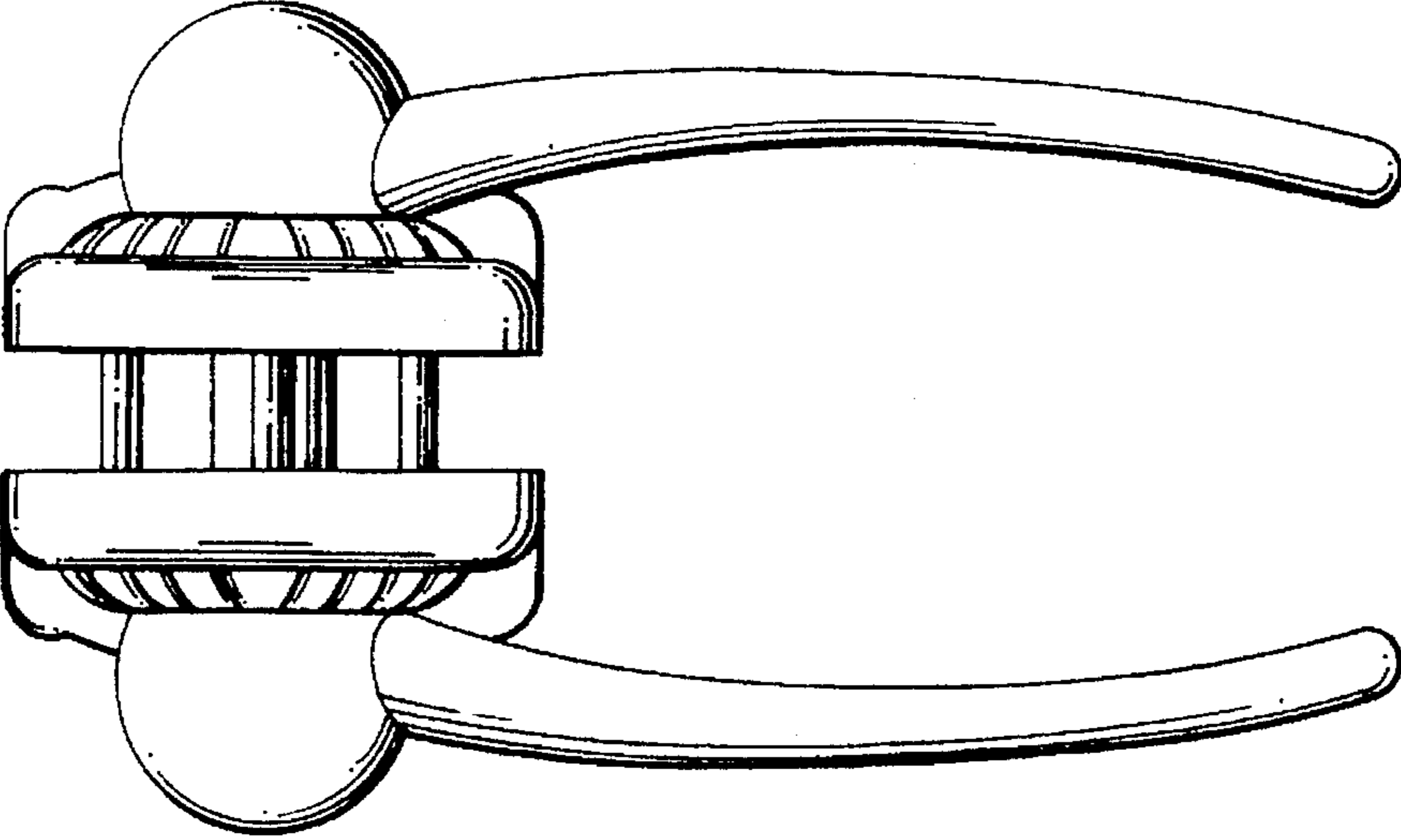


FIG. 7