



US00D365975S

United States Patent [19]

Cottone

[11] Patent Number: Des. 365,975

[45] Date of Patent: **Jan. 9, 1996

[54] **CLAMP FOR PAPER MARGIN STRIPPER**

[76] Inventor: **James F. Cottone**, 2001 Jefferson Davis Hwy., Arlington, Va. 22202

[**] Term: **14 Years**

[21] Appl. No.: **21,369**

[22] Filed: **Apr. 15, 1994**

[52] U.S. Cl. **D8/72; D15/128; D18/34**

[58] Field of Search **D8/72; D15/128, D15/129, 138; D18/34; 72/311, 313; 81/126, 152, 487; 269/6, 166; 83/452, 456; 225/106**

[56] **References Cited**

U.S. PATENT DOCUMENTS

2,896,893 7/1959 Oliver D8/72
4,532,736 8/1985 Shinneman, Jr. et al. 451/456

Primary Examiner—Alan P. Douglas
Assistant Examiner—Robert M. Spear
Attorney, Agent, or Firm—James F. Cottone

[57] **CLAIM**

The ornamental design for a clamp for paper margin stripper, as shown and described.

DESCRIPTION

FIG. 1 is a left front perspective view of a clamp for paper

margin stripper showing a first form of my new design;

FIG. 2 is a side elevation taken from the right of FIG. 1;

FIG. 3 is a front elevational view;

FIG. 4 is a left side elevation;

FIG. 5 is a top plan view;

FIG. 6 is a rear elevational view;

FIG. 7 is a bottom plan view;

FIG. 8 is a left front perspective view of a clamp for paper margin stripper showing another form of my new design;

FIG. 9 is a side elevation taken from the right of FIG. 8;

FIG. 10 is a front elevational view thereof;

FIG. 11 is a left side elevation thereof;

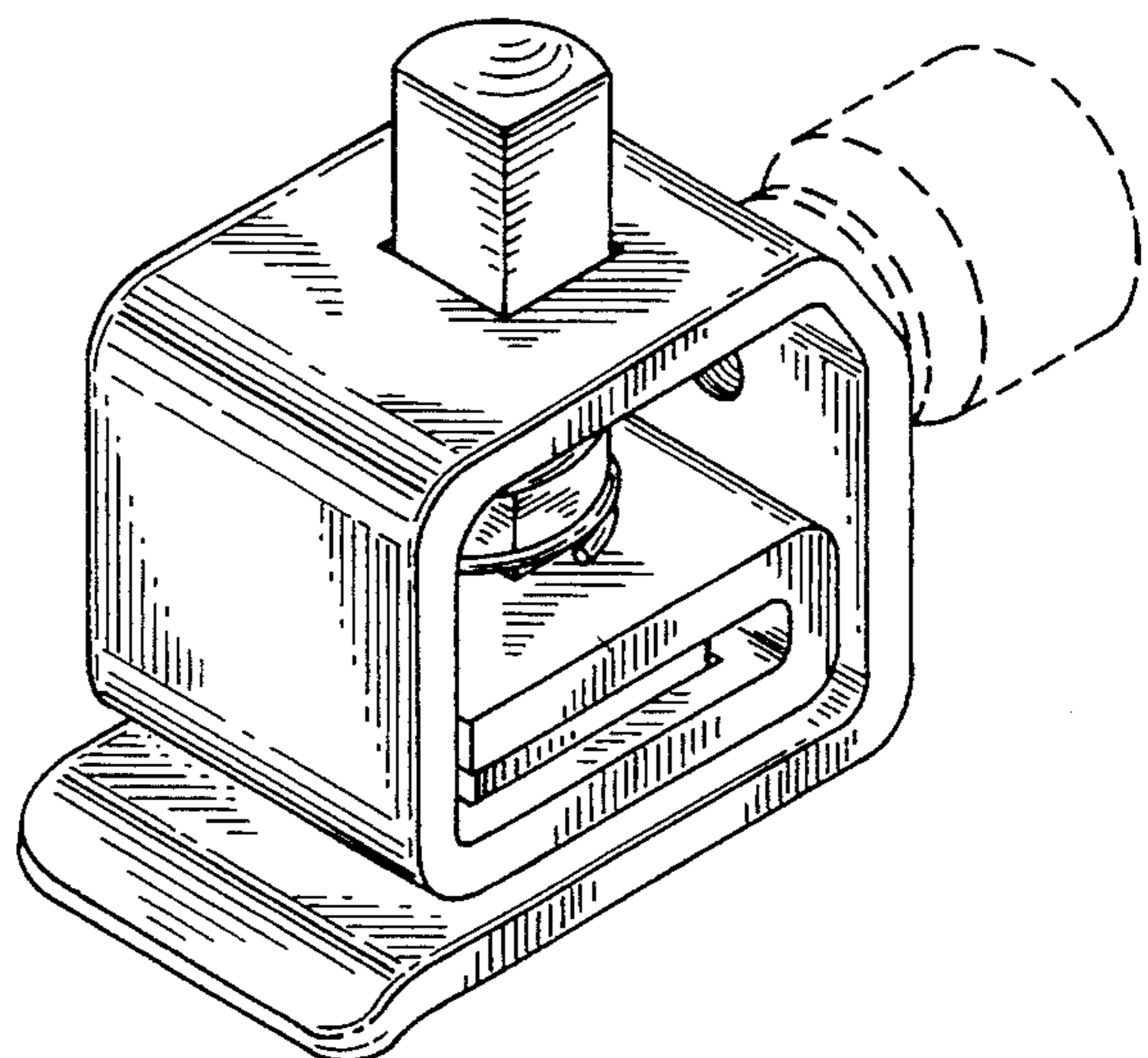
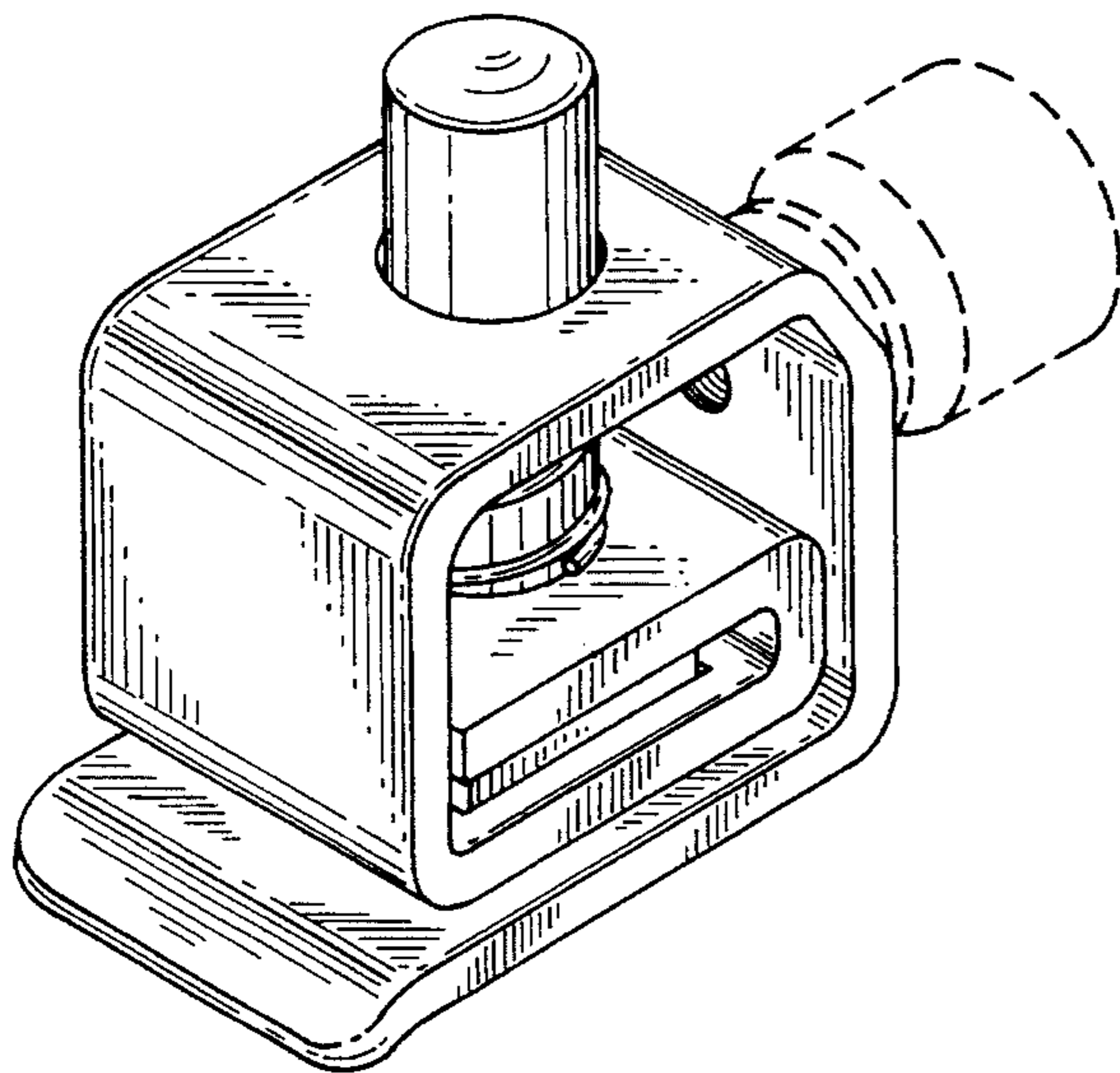
FIG. 12 is a top plan view thereof;

FIG. 13 is a rear elevational view thereof; and,

FIG. 14 is a bottom plan view thereof.

The broken line showing of a thumbscrew in FIGS. 1 and 8 is for illustrative purposes only and forms no part of the claimed design.

1 Claim, 2 Drawing Sheets



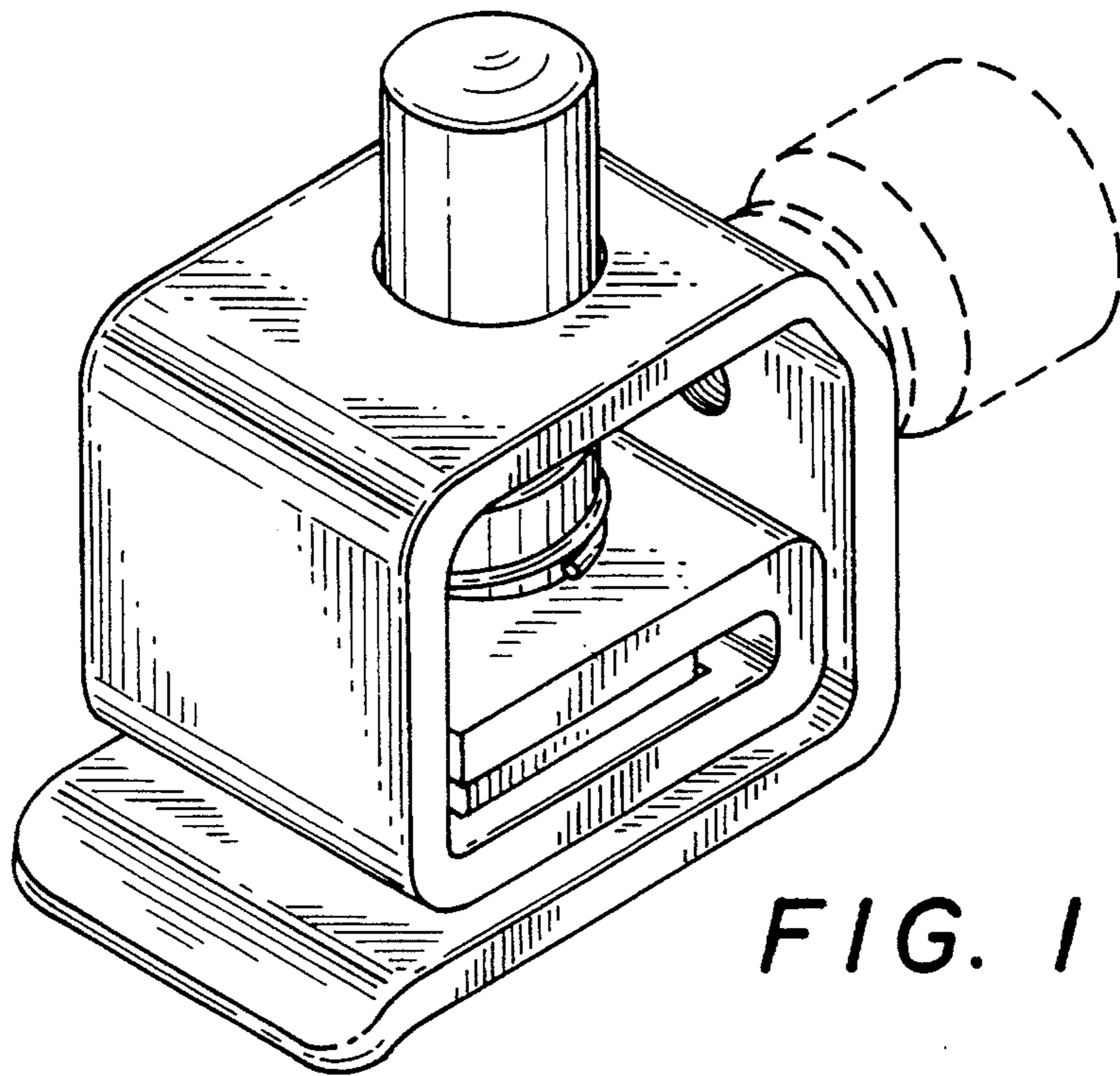


FIG. 1

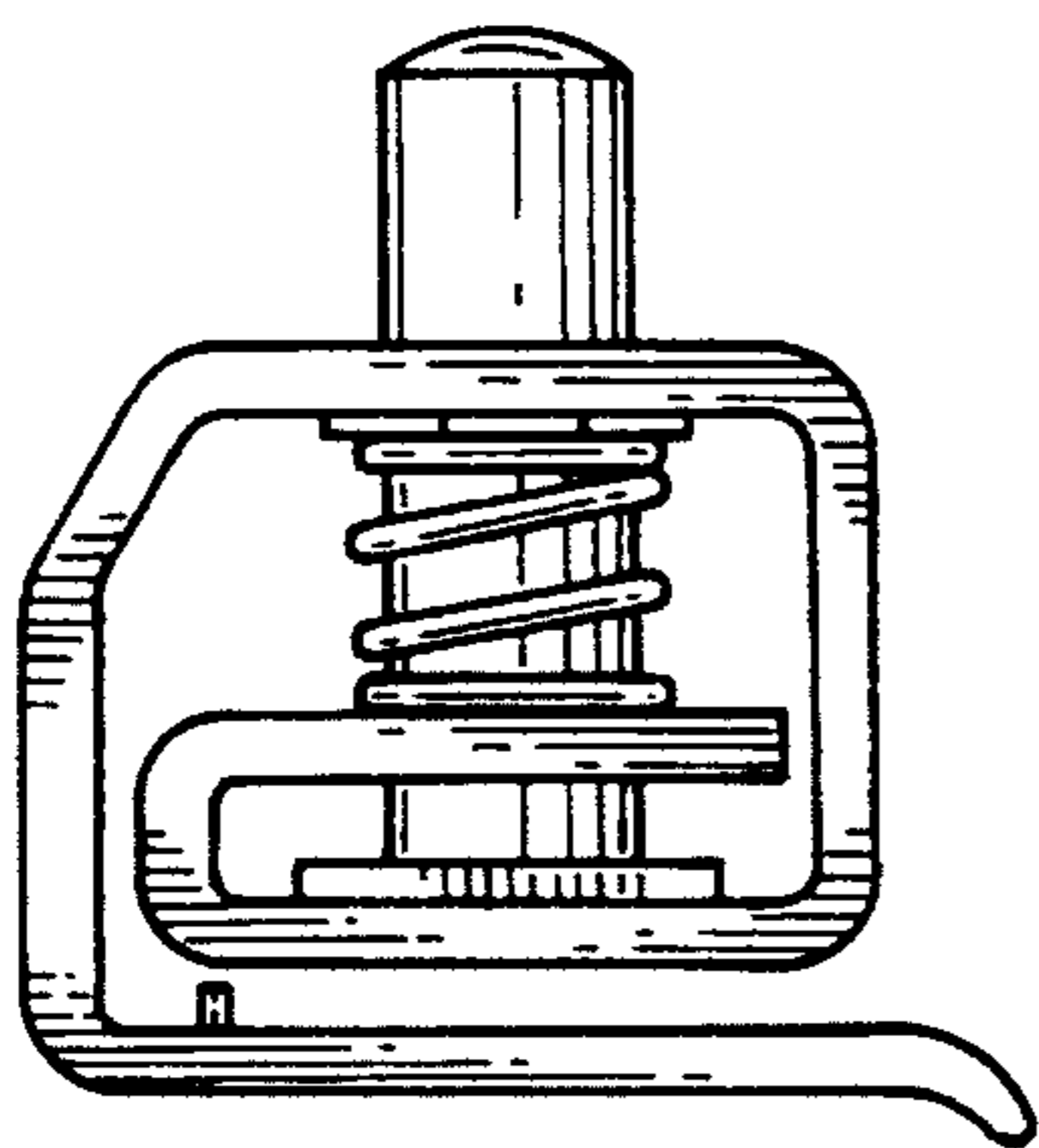


FIG. 2

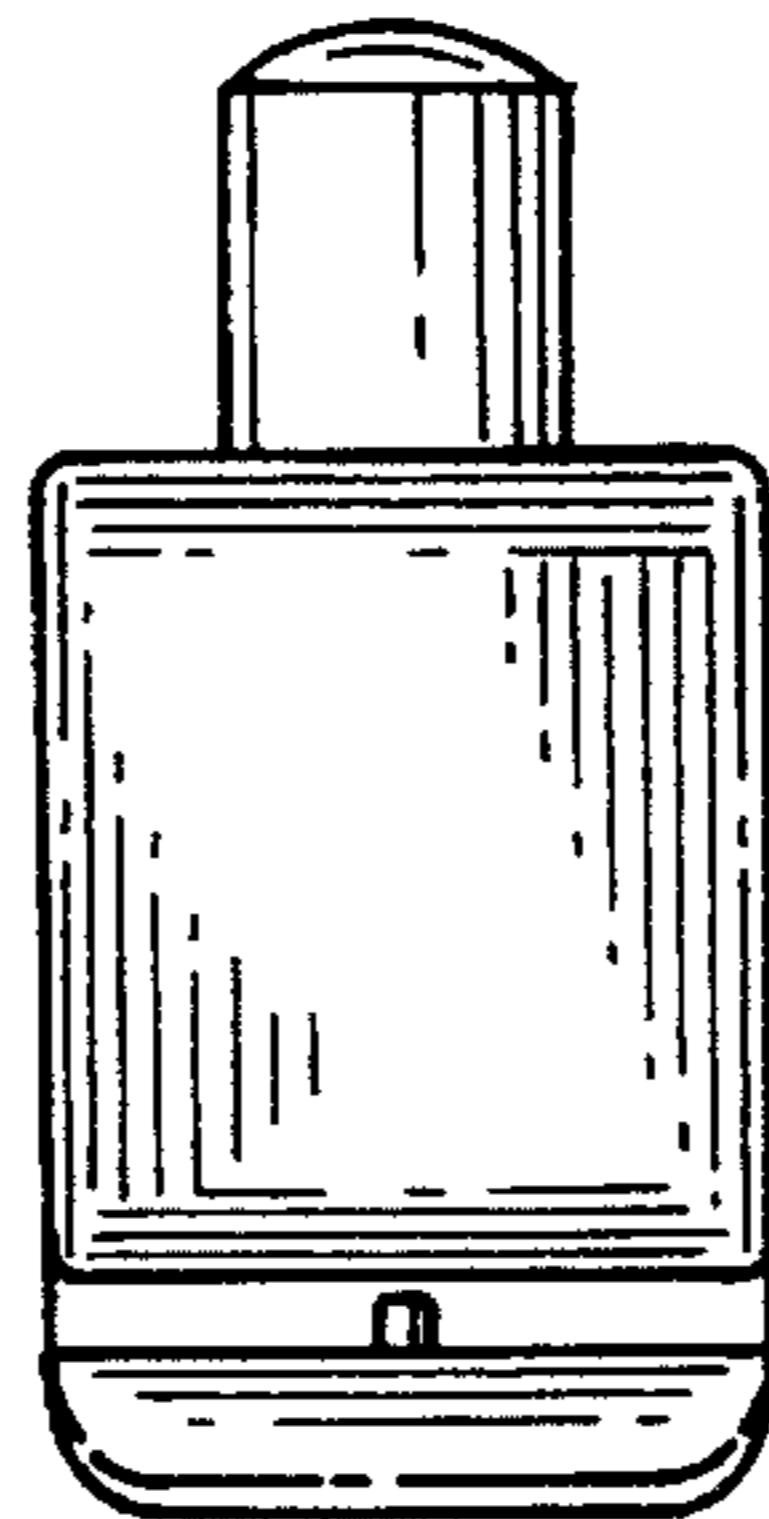


FIG. 3

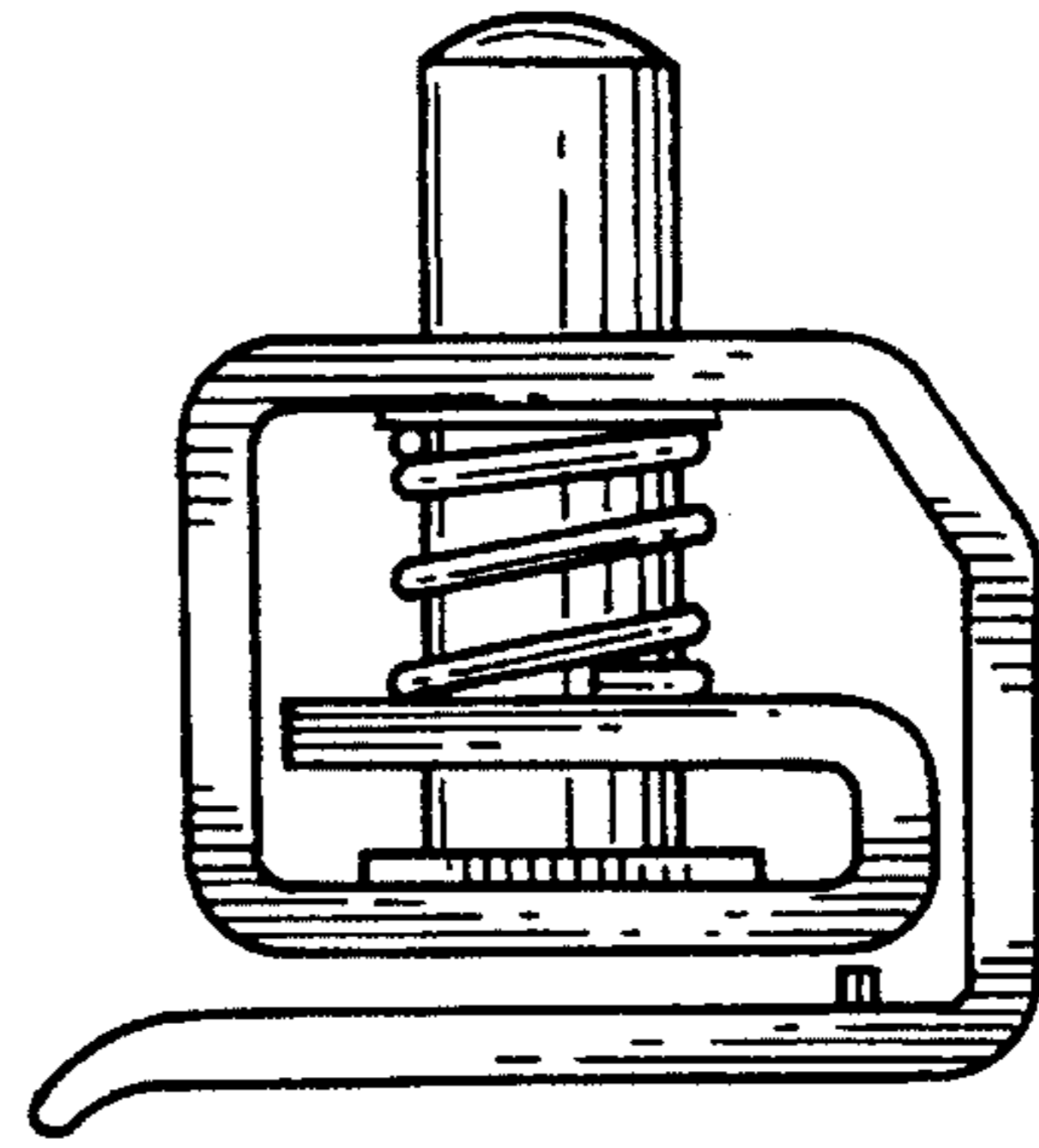


FIG. 4

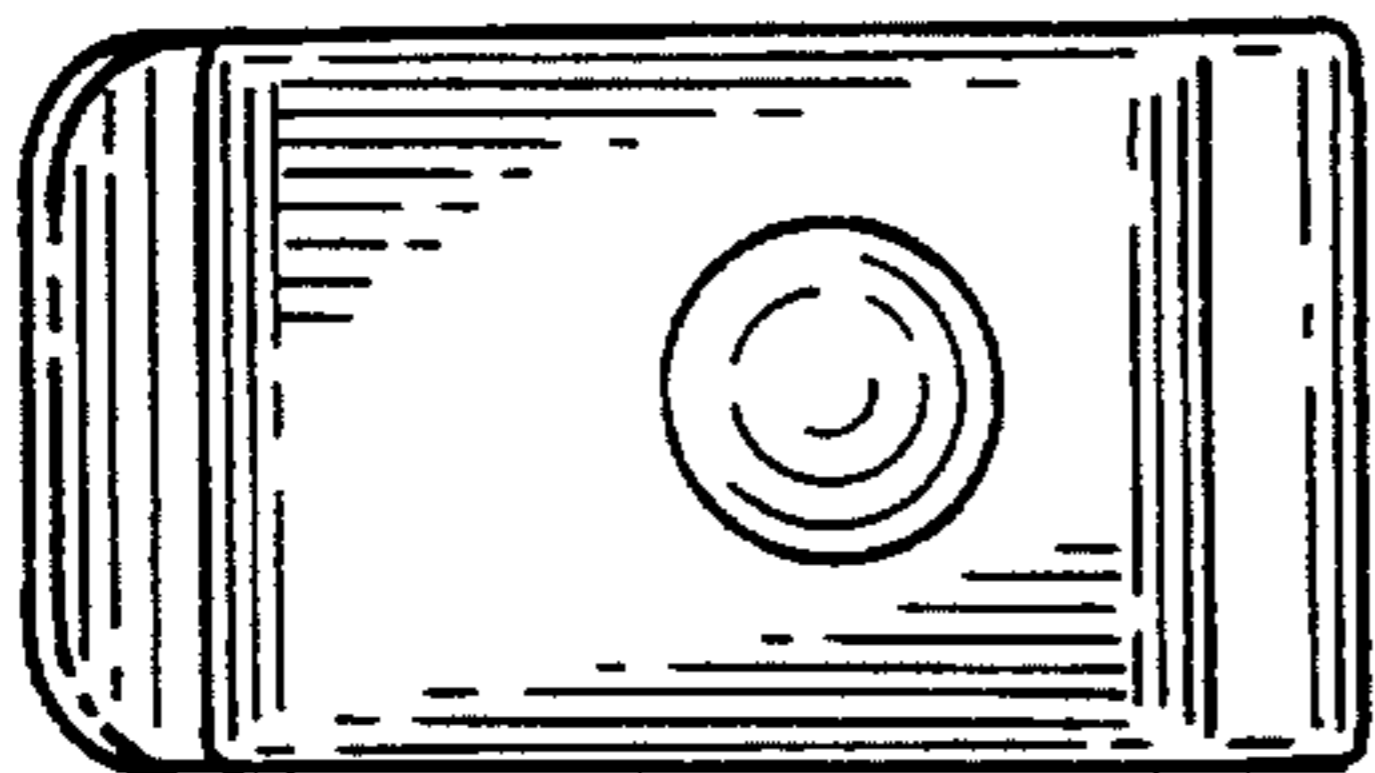


FIG. 5

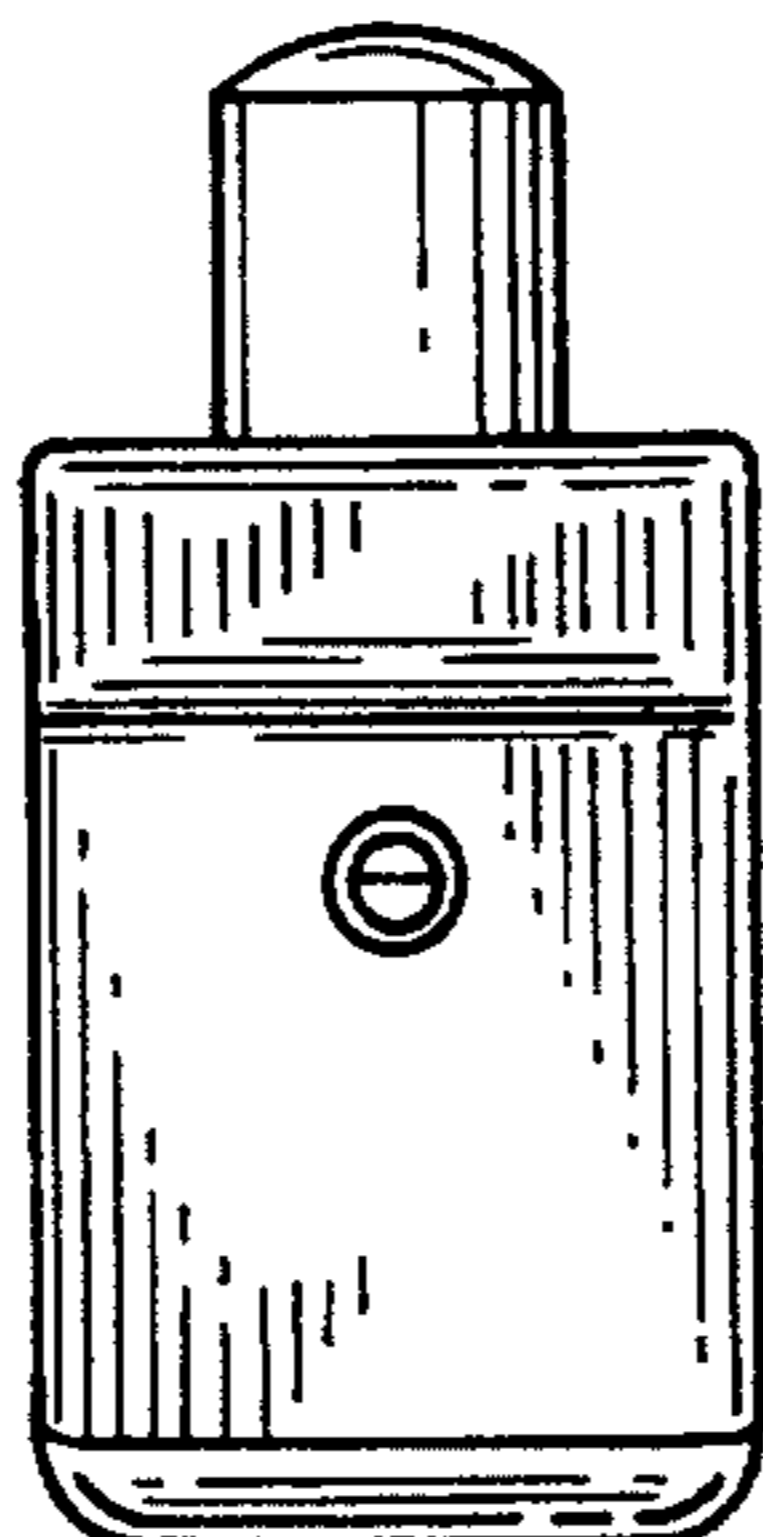


FIG. 6

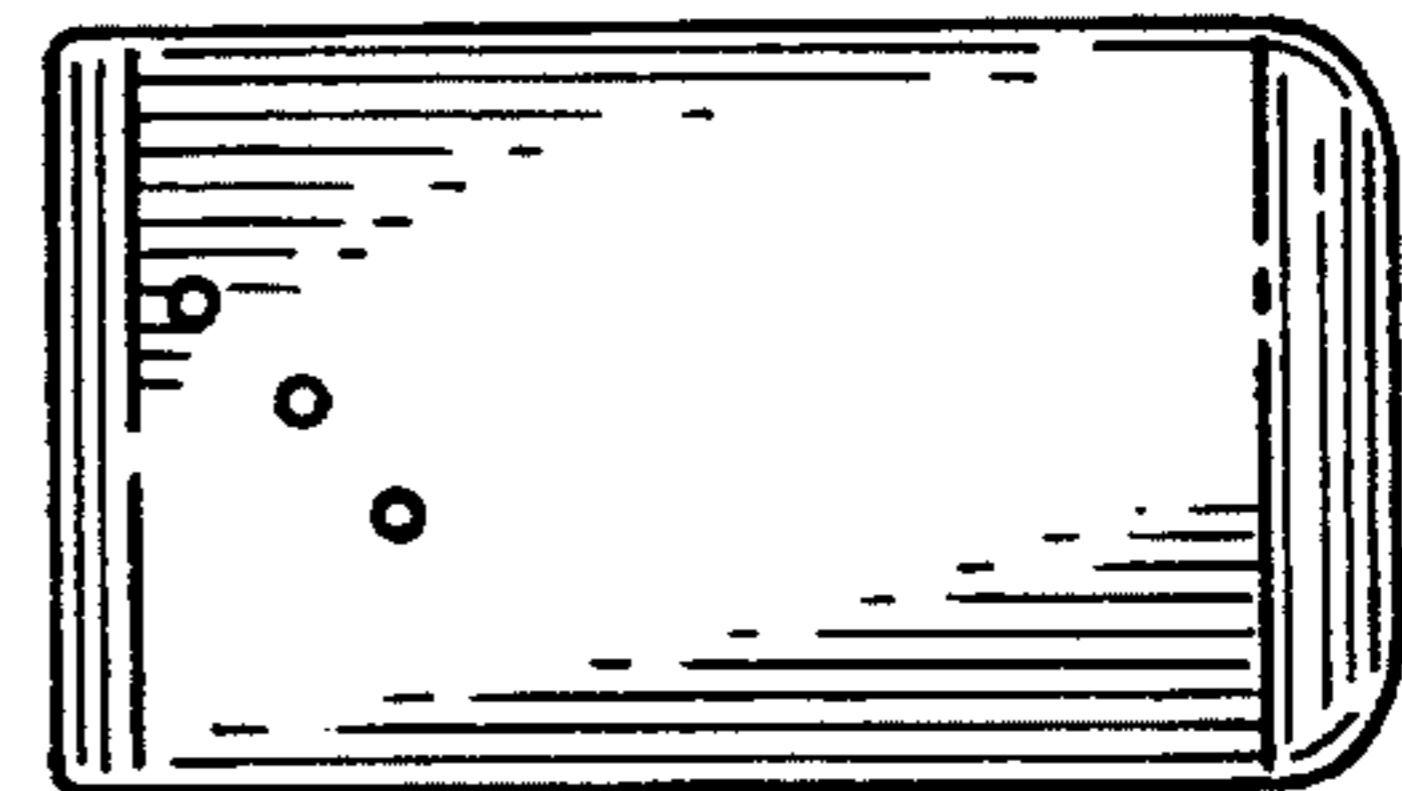


FIG. 7

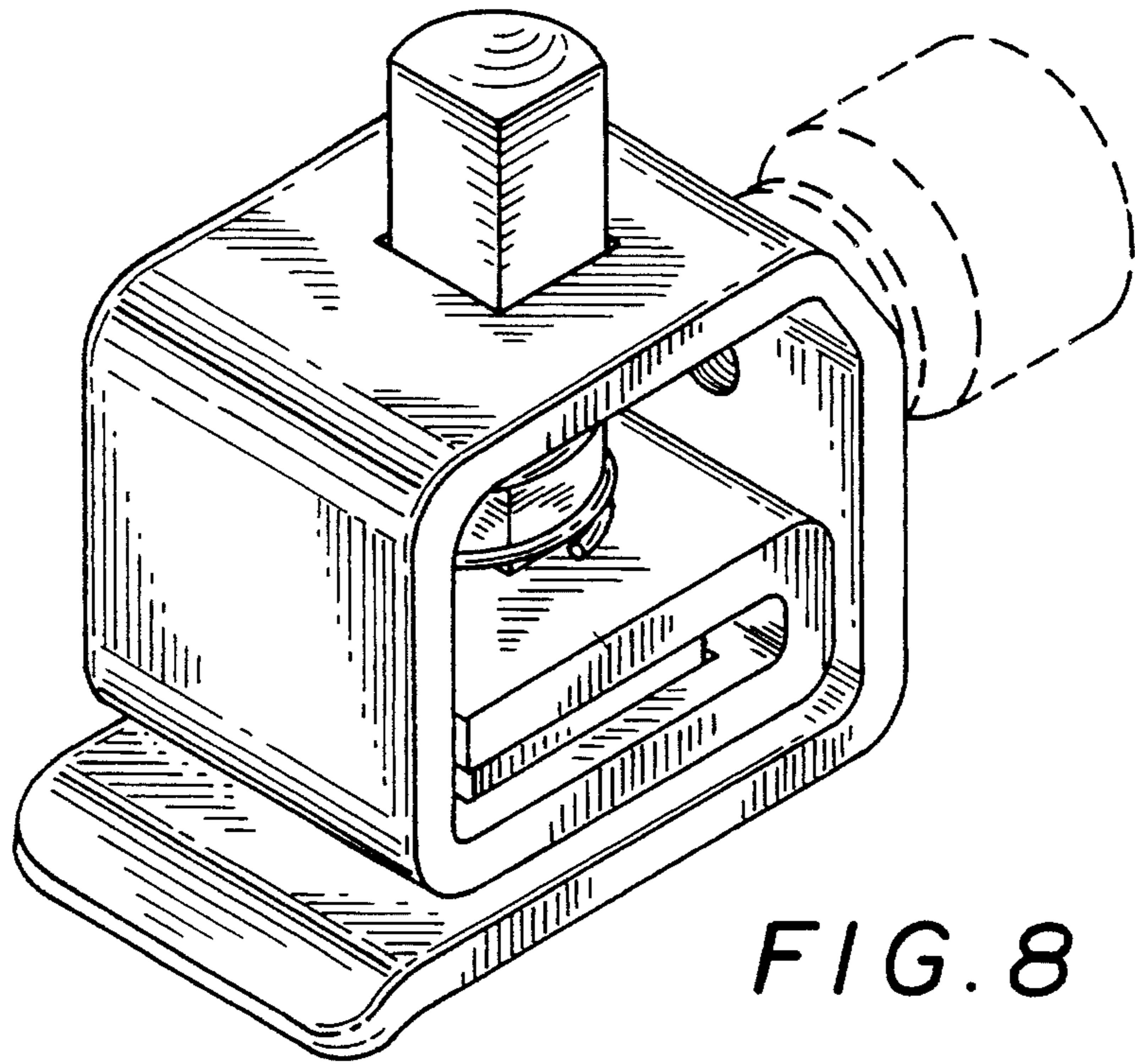


FIG. 8

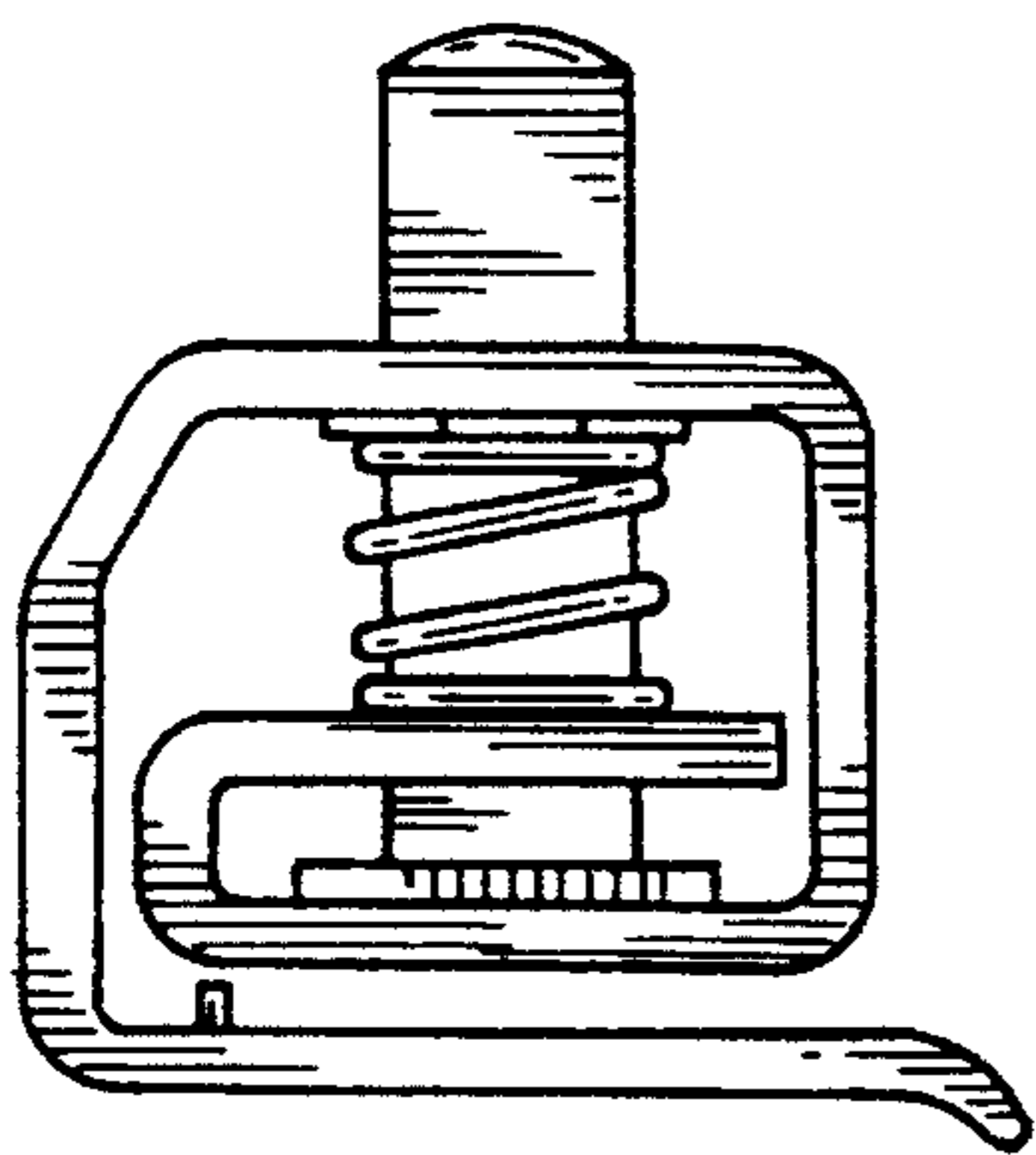


FIG. 9

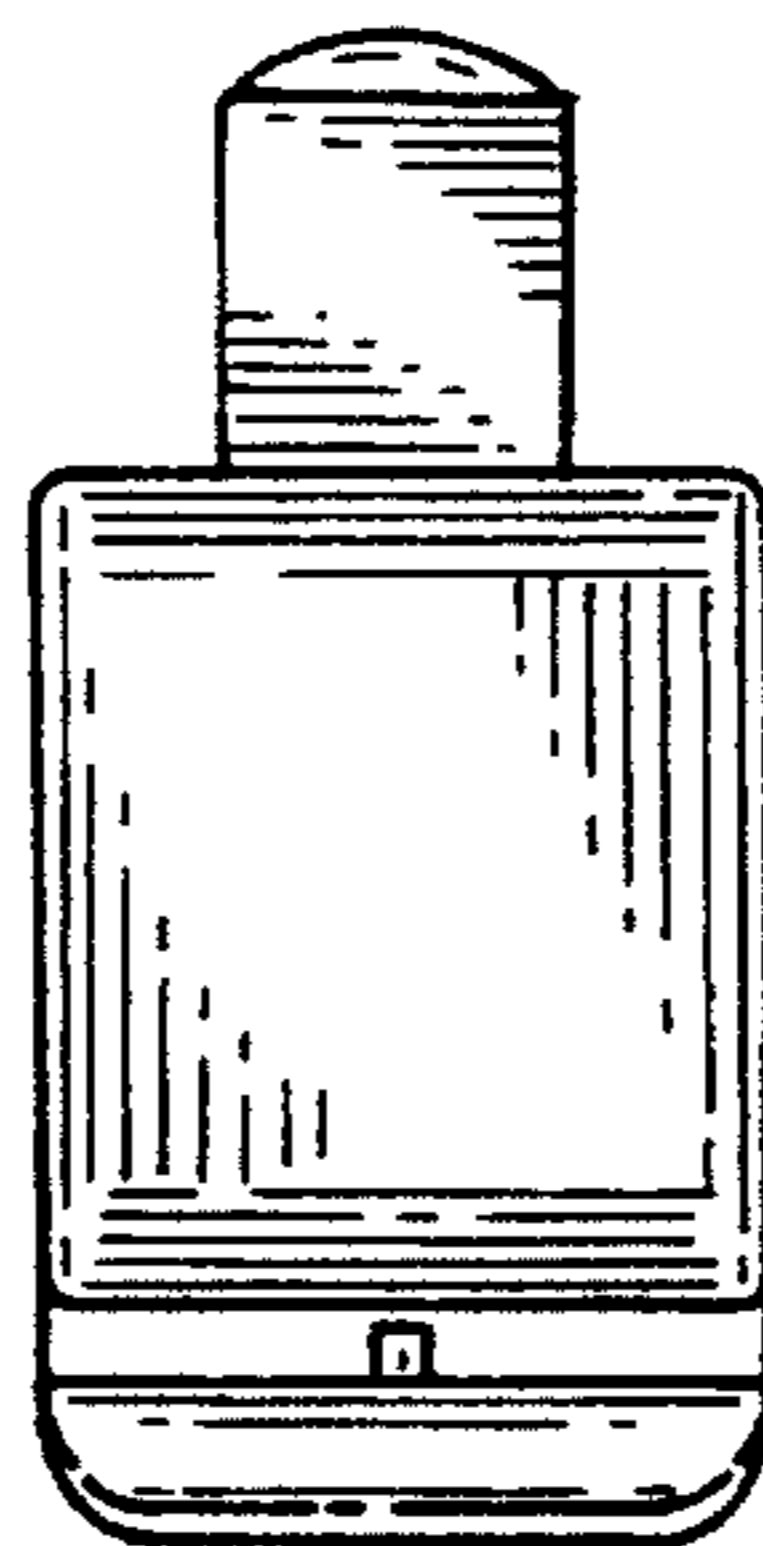


FIG. 10

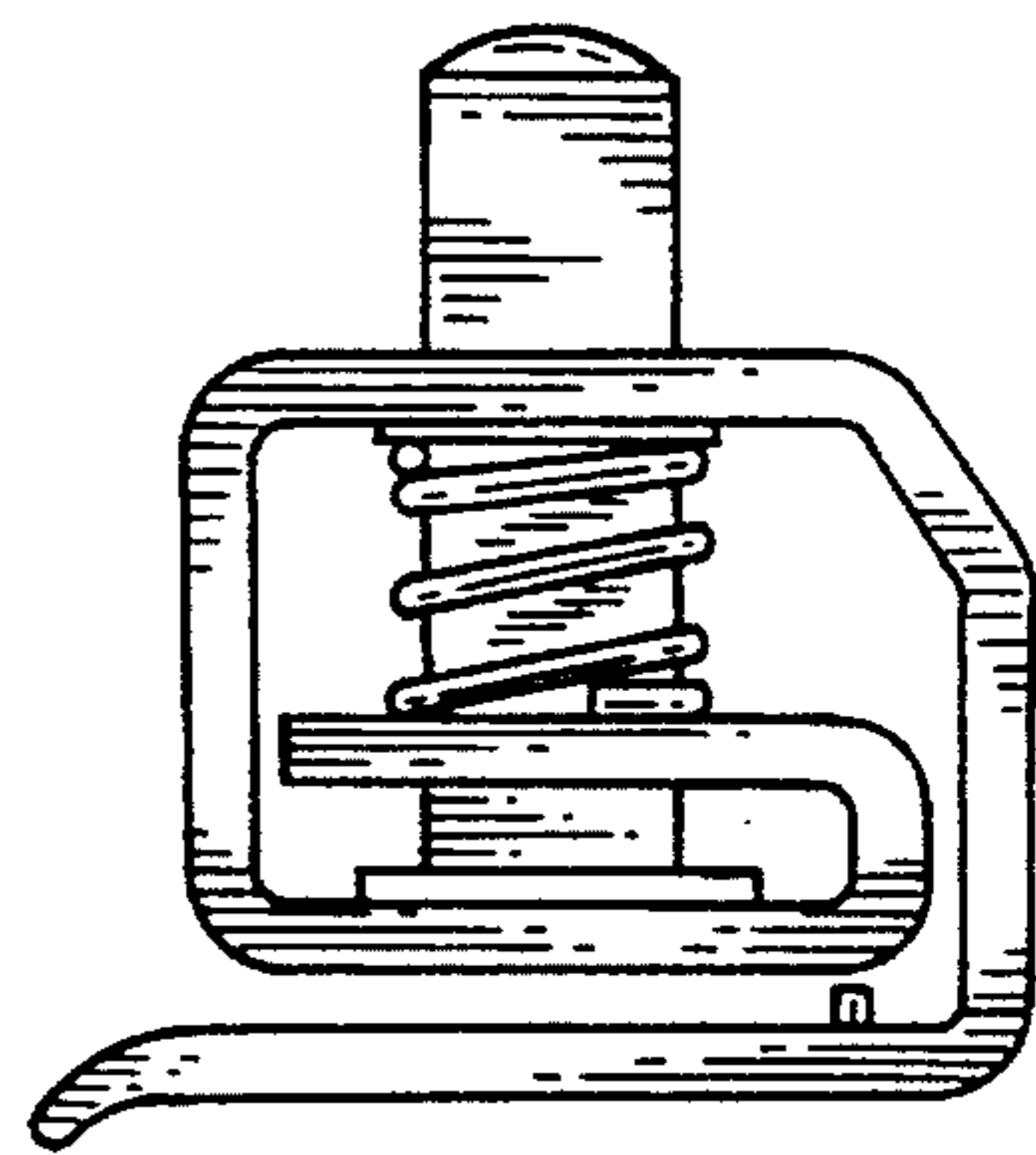


FIG. 11

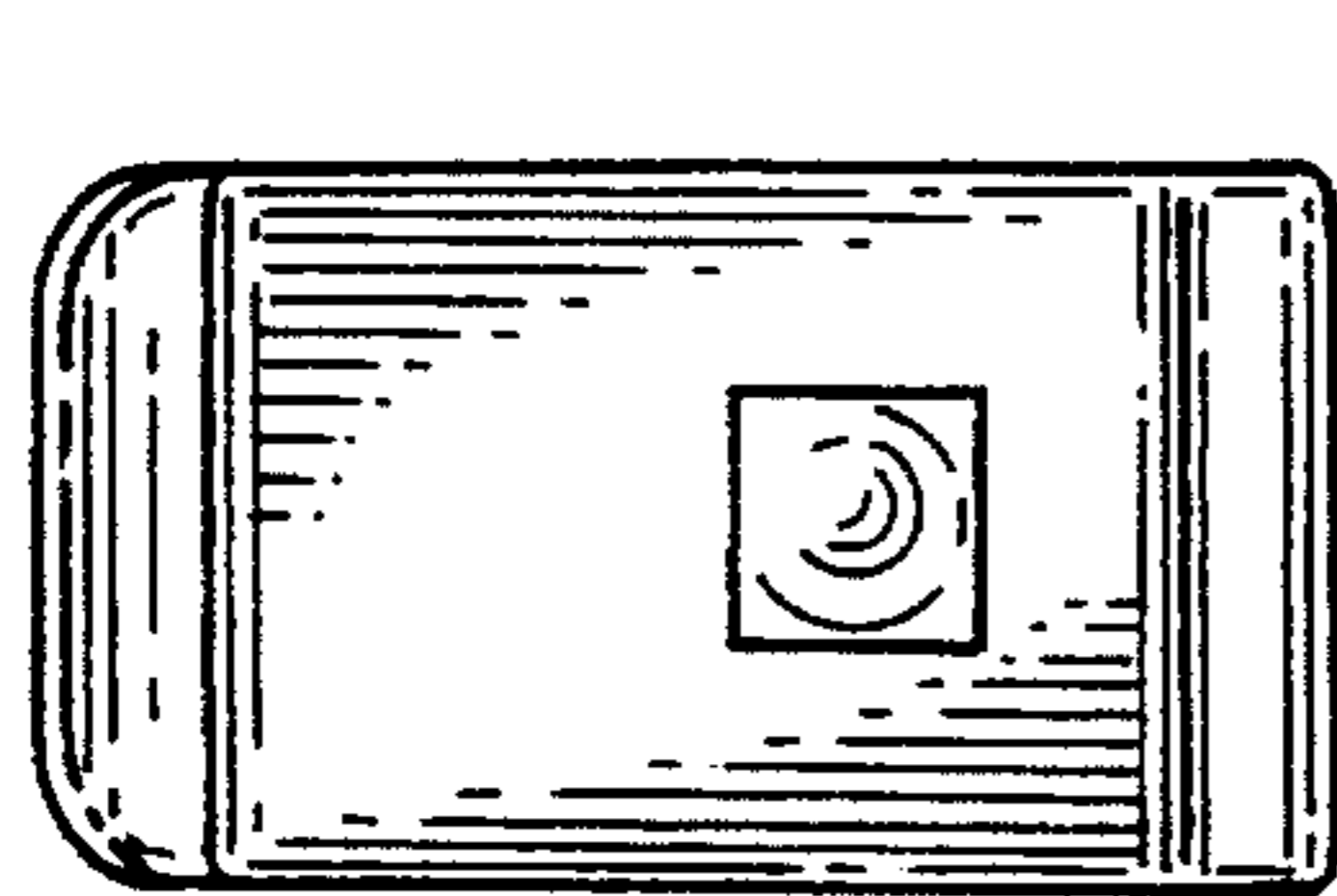


FIG. 12

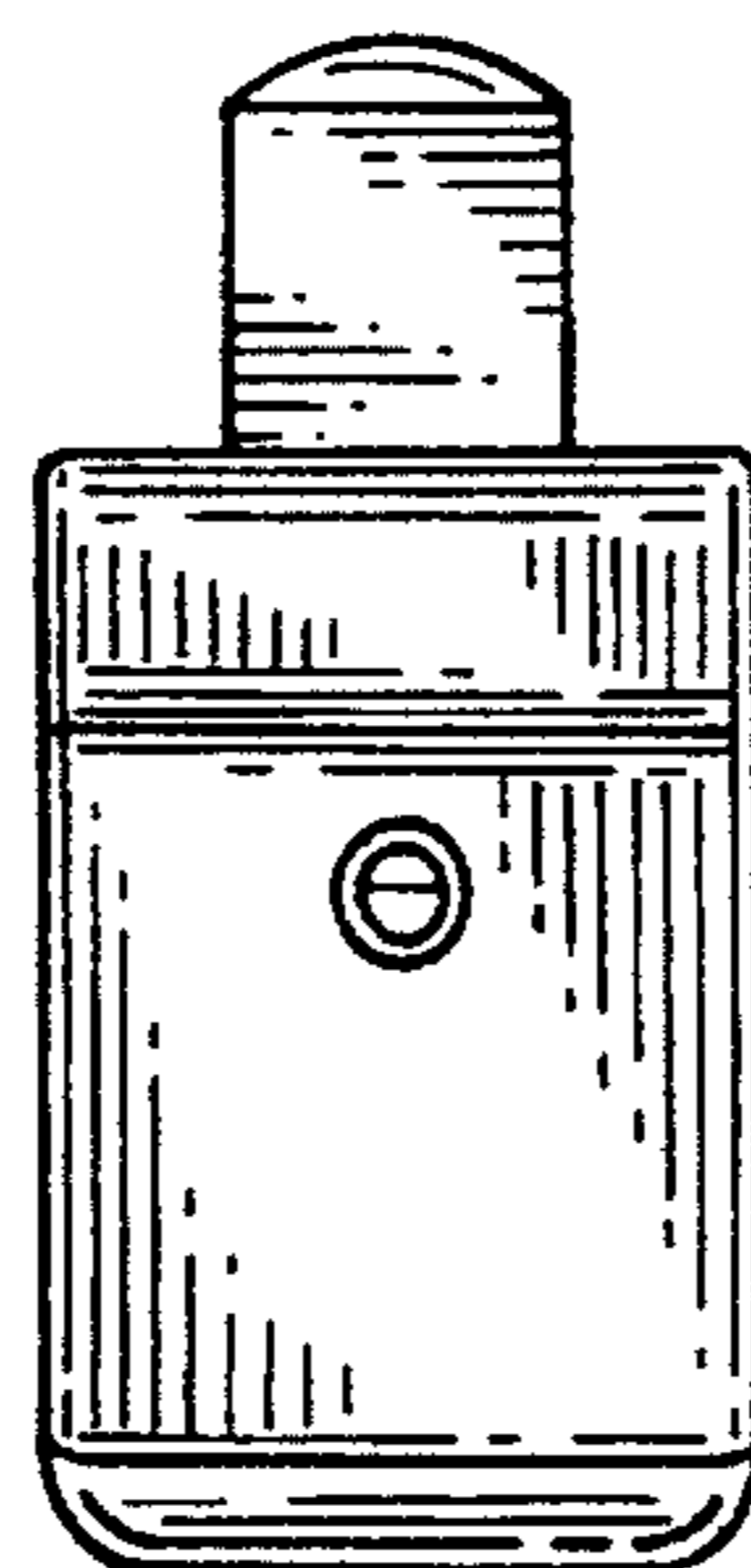


FIG. 13

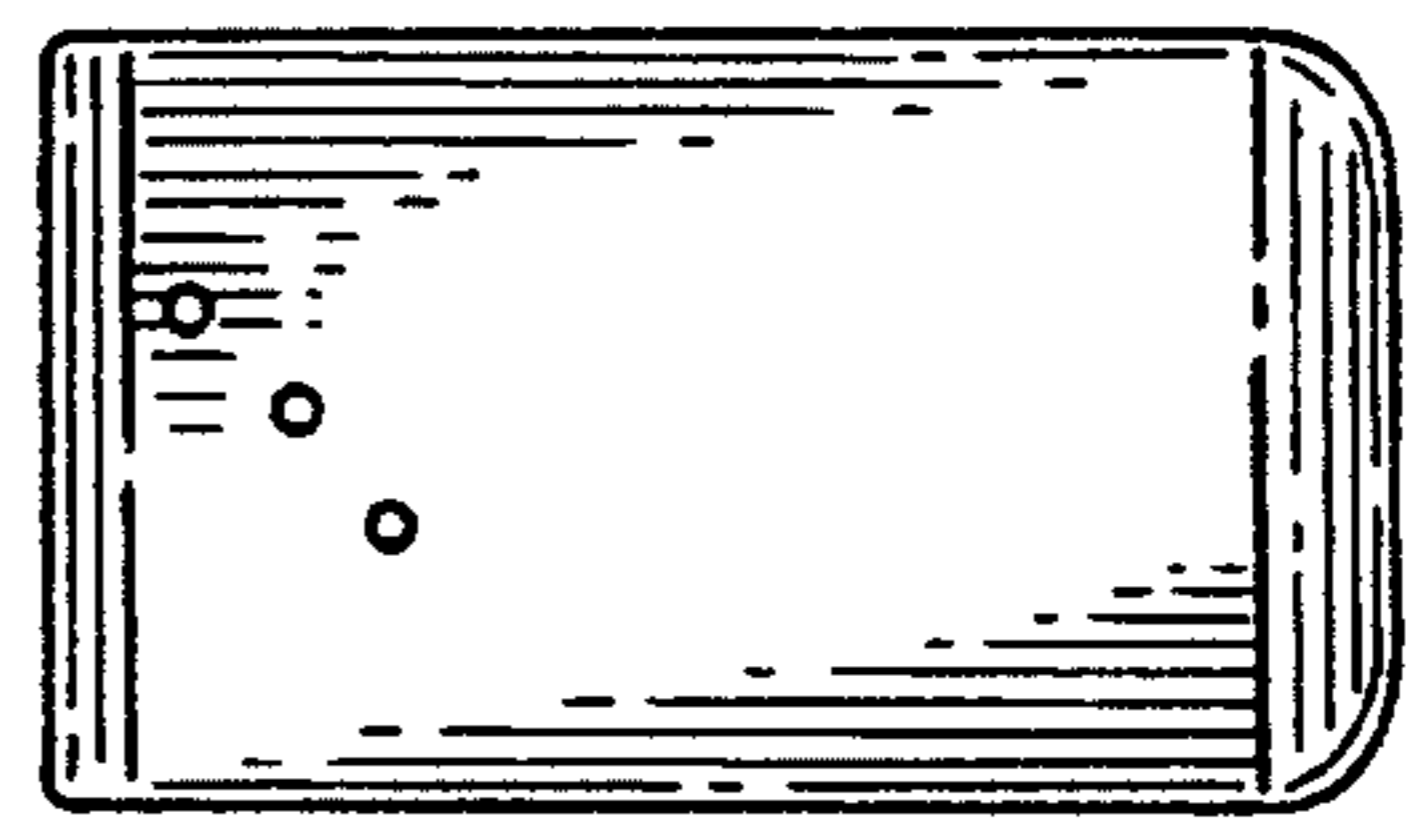


FIG. 14