



US00D365972S

# United States Patent [19]

Mills et al.

[11] Patent Number: **Des. 365,972**

[45] Date of Patent: **\*\*Jan. 9, 1996**

[54] **ARROWHEAD EXTRACTOR**

[76] Inventors: **Buster Mills**, Rte. 1, Box 18,  
Frankford, Del. 19945; **Leslie L. Clem**,  
1600 Fishinger Rd., Columbus, Ohio  
43221

[\*\*] Term: **14 Years**

[21] Appl. No.: **23,184**

[22] Filed: **May 19, 1994**

### Related U.S. Application Data

[63] Continuation-in-part of Ser. No. 227,518, Apr. 14, 1994, Pat.  
No. 5,408,734.

[52] U.S. Cl. .... **D8/51**

[58] Field of Search ..... D8/14, 51; D22/107;  
29/254, 427, 242, 263, 264

[56] **References Cited**

#### U.S. PATENT DOCUMENTS

D. 256,606	8/1980	Hoggard .....	D22/99
D. 324,631	3/1992	Perry .....	D8/51
3,890,692	6/1975	Jandura, Jr. ....	29/427
4,043,020	8/1977	Hoggard .....	29/427
4,169,454	10/1979	Jones .....	124/23 R
4,194,278	3/1980	Sanders .....	29/264
4,387,697	6/1983	Duke .....	124/89
4,478,204	10/1984	Kocsan .....	124/89

4,484,384	11/1984	Knowles .....	29/263
4,584,983	4/1986	Ament .....	124/89
4,633,562	1/1987	Ulsh .....	29/264
4,920,625	5/1990	Smith .....	29/256
4,957,095	9/1990	Cameron .....	124/89

#### FOREIGN PATENT DOCUMENTS

1489969 6/1989 U.S.S.R. .

*Primary Examiner*—Ted Shooman  
*Assistant Examiner*—Philip Hyder  
*Attorney, Agent, or Firm*—Richard C. Litman

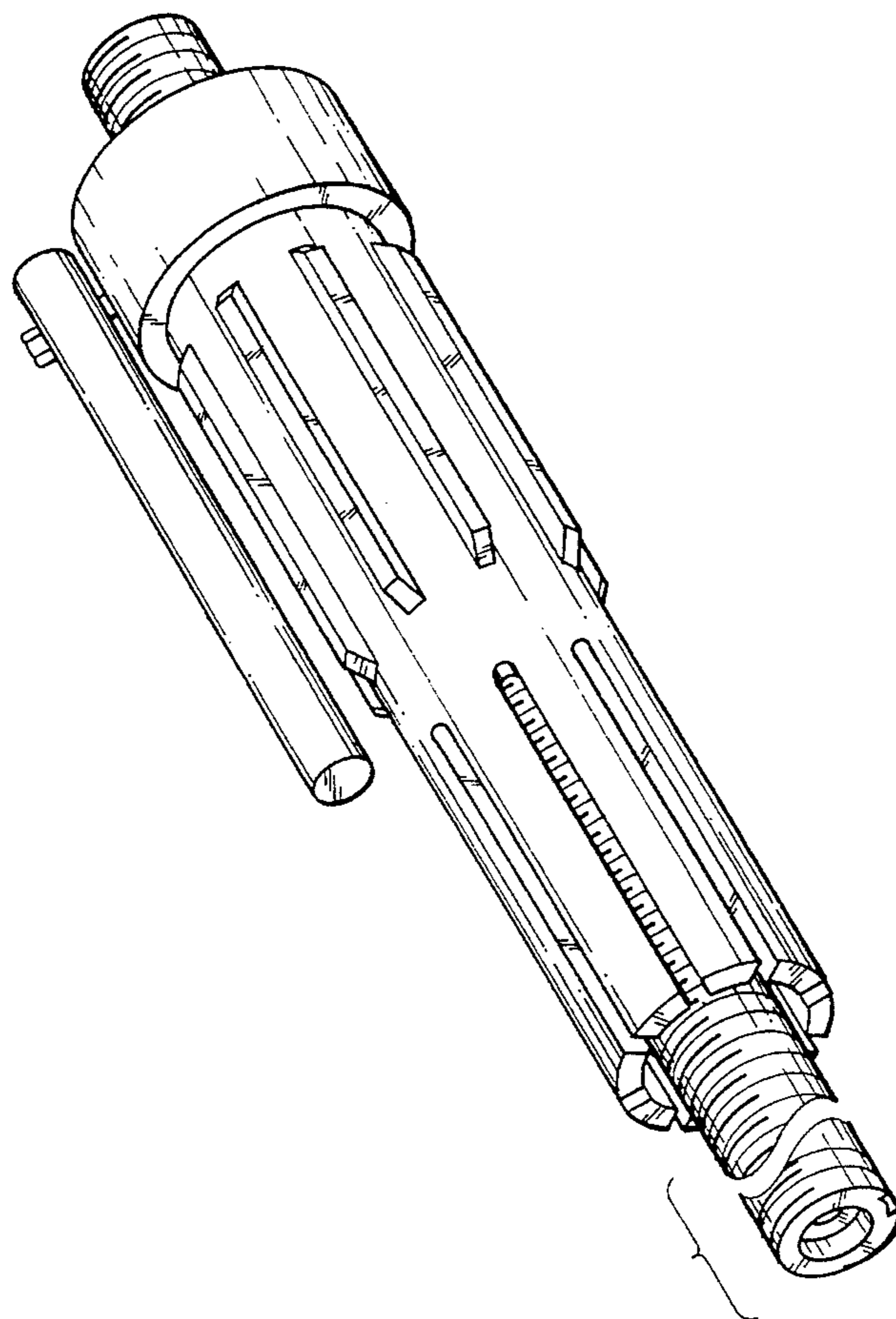
[57] **CLAIM**

The ornamental design for an arrowhead extractor, as shown and described.

#### DESCRIPTION

FIG. 1 is a right side perspective view of an arrowhead extractor showing my new design; FIG. 2 is a right side elevational view thereof, with the left side elevation being a mirror image; FIG. 3 is a bottom plan view thereof; FIG. 4 is a top plan view thereof; FIG. 5 is a front end elevational view thereof; and, FIG. 6 is a rear end elevational view thereof. The threaded central shaft is shown fragmentarily for ease of illustration.

**1 Claim, 2 Drawing Sheets**



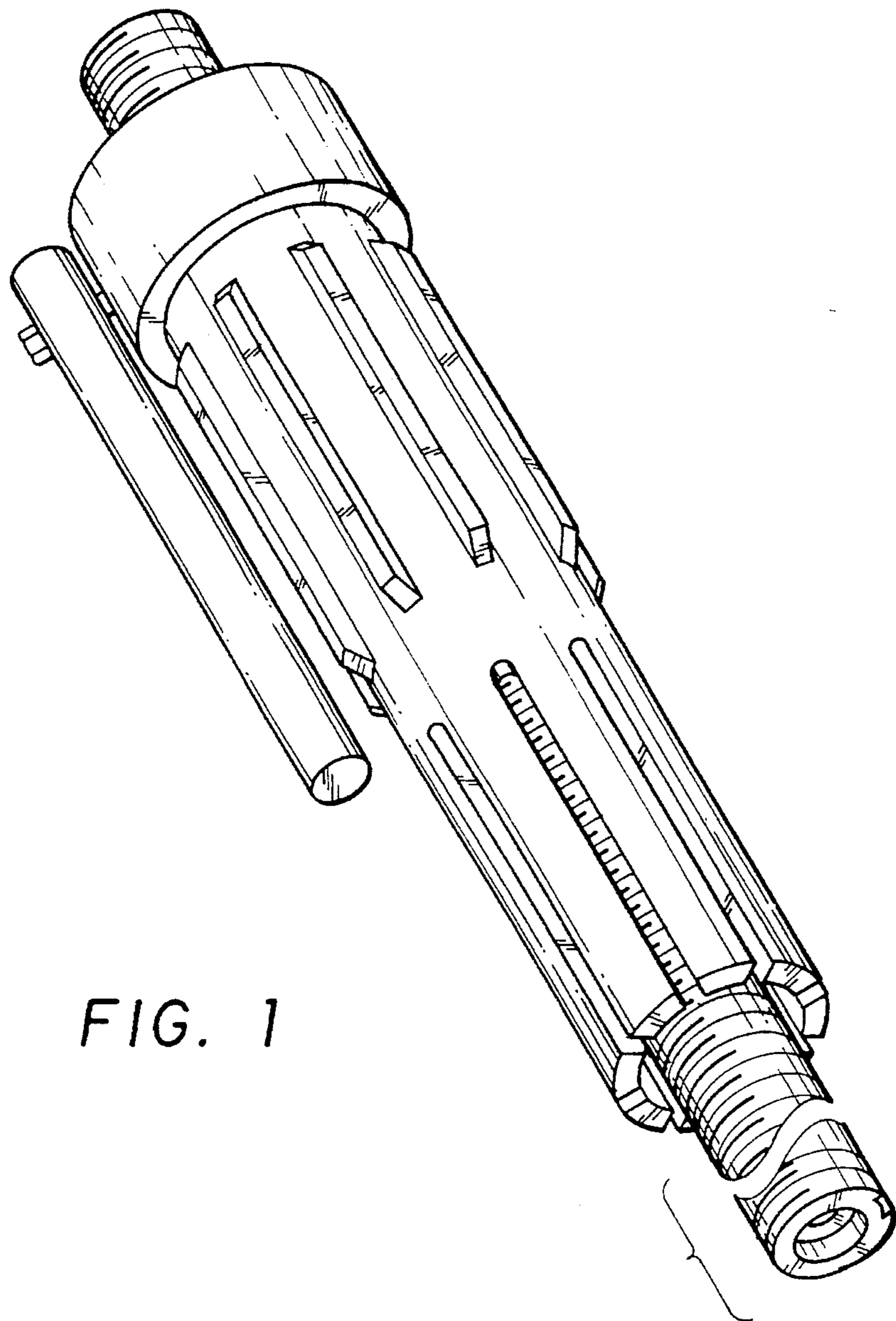


FIG. 1

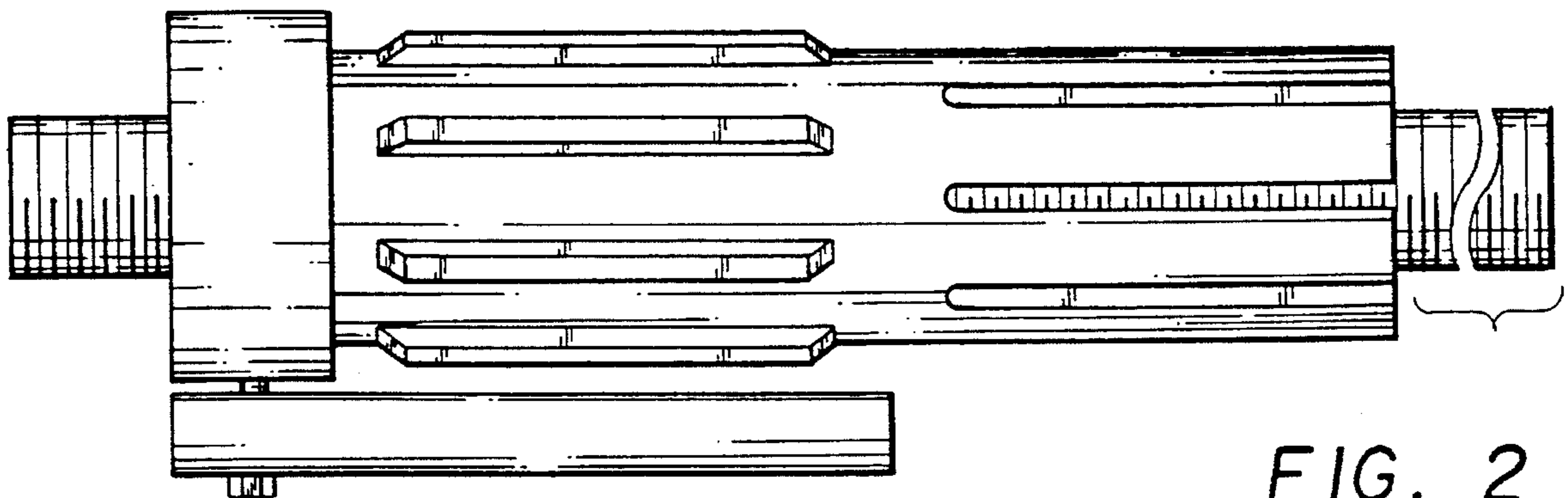


FIG. 2

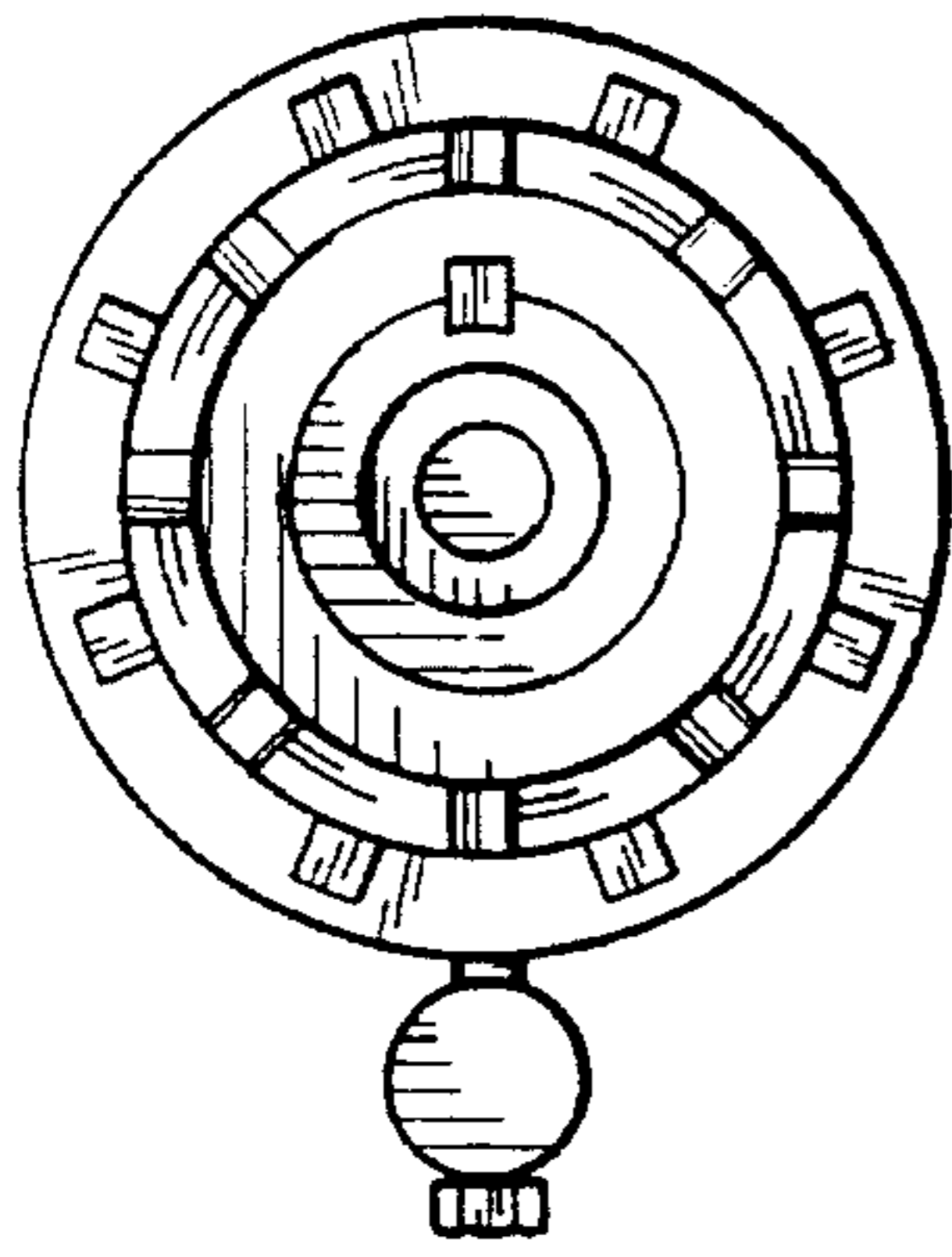


FIG. 5

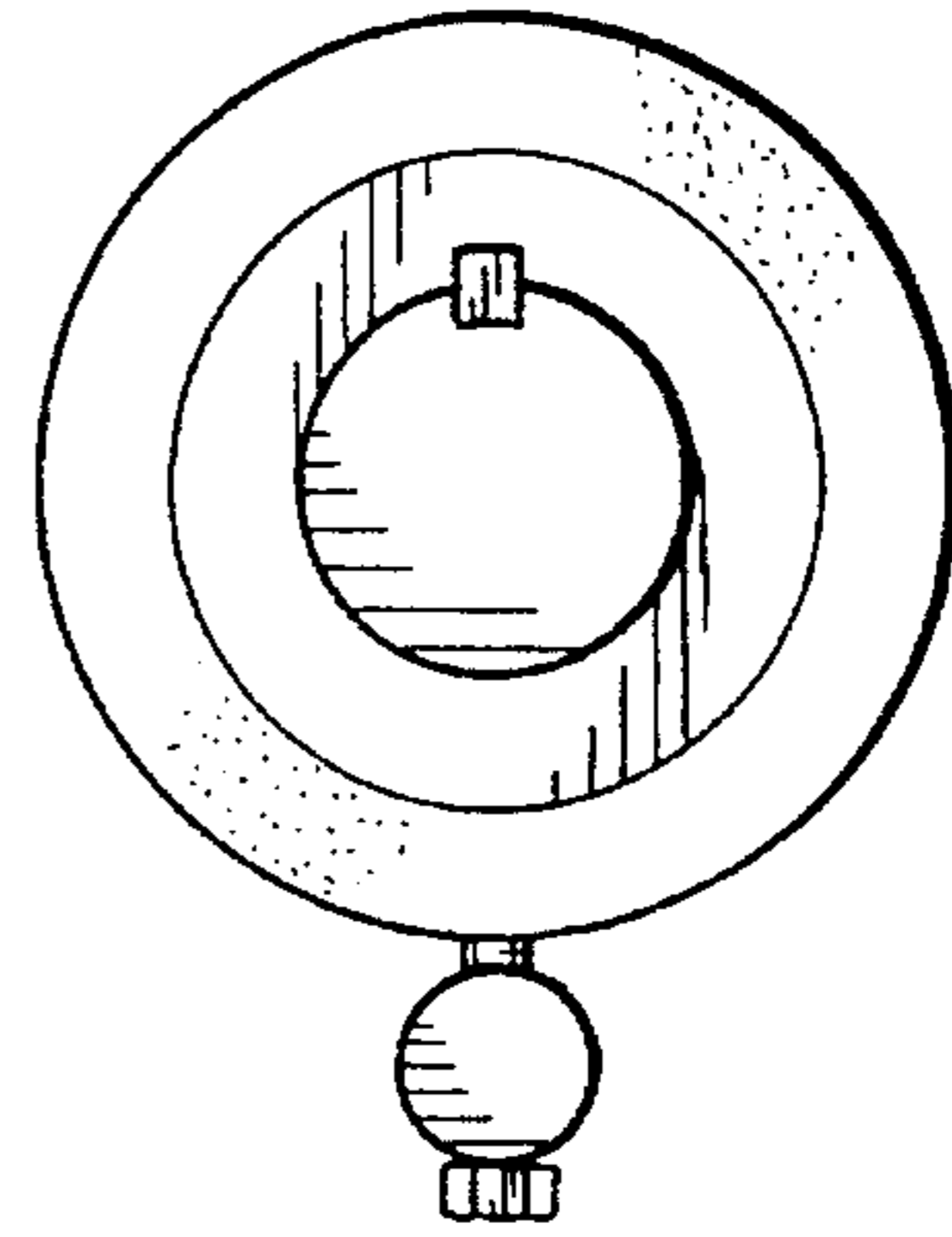


FIG. 6

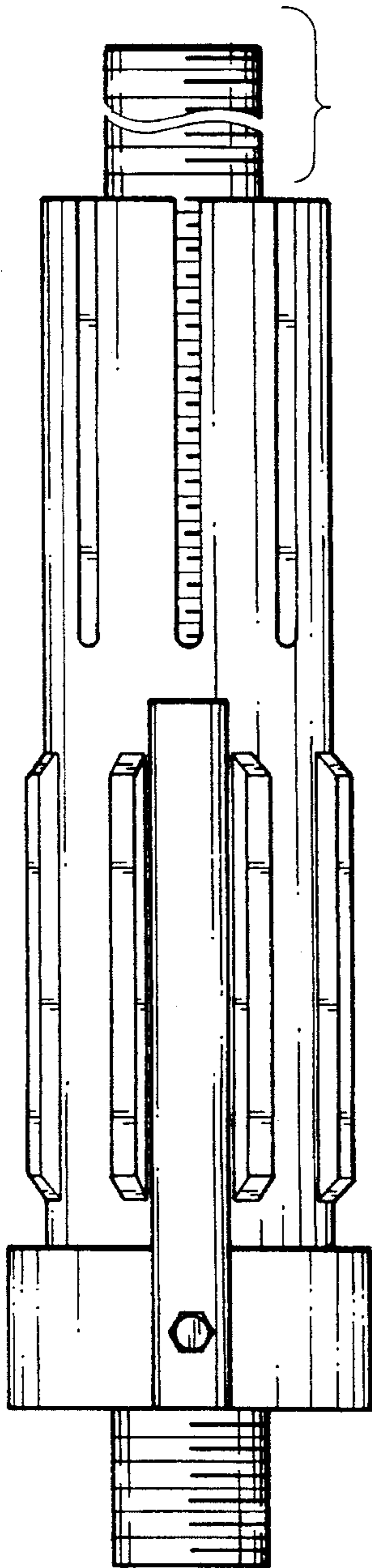


FIG. 3

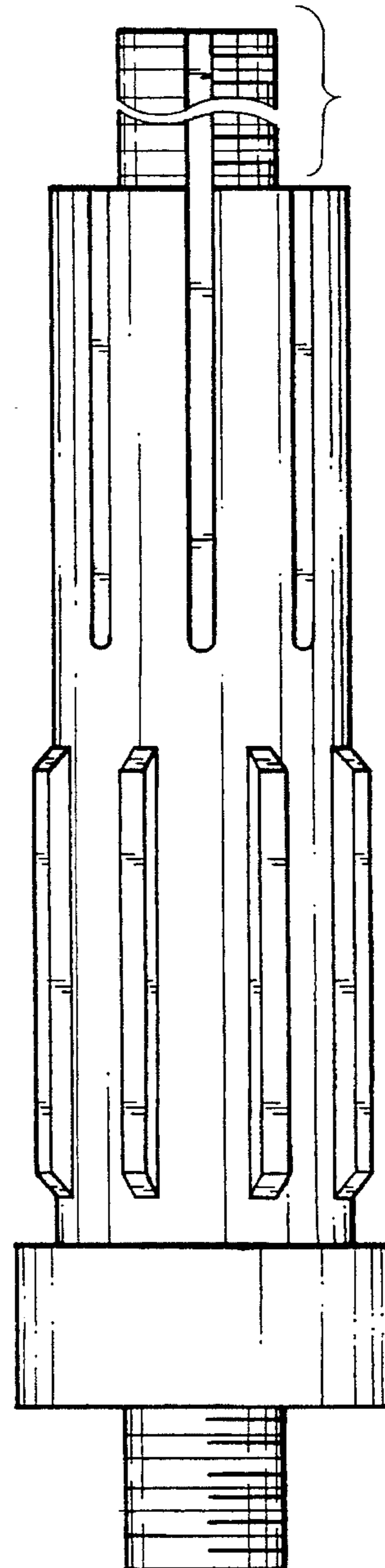


FIG. 4