



US00D365969S

United States Patent [19]

[11] **Patent Number: Des. 365,969**

Sellman

[45] **Date of Patent: **Jan. 9, 1996**

[54] **PARTITIONED COOLER**

[76] Inventor: **Ira L. Sellman**, 4 Cypress Rd.,
Annapolis, Md. 21403

[**] Term: **14 Years**

[21] Appl. No.: **27,766**

[22] Filed: **Aug. 31, 1994**

[52] U.S. Cl. **D7/608**

[58] Field of Search D7/605-608; 206/216,
206/223, 541, 545, 546, 549; 62/457.1,
457.7

4,630,671	12/1986	Sherman et al. .	
4,655,052	4/1987	Garcia .	
4,671,079	6/1987	Petrantoni .	
4,813,243	3/1989	Woods et al. .	
4,830,190	5/1989	Inagaki .	
4,978,023	12/1990	Behlmann et al.	206/545 X
5,297,616	3/1994	Pralus .	
5,313,817	5/1994	Meinders .	

Primary Examiner—Terry A. Wallace
Attorney, Agent, or Firm—Richard C. Litman

[57] **CLAIM**

The ornamental design for a partitioned cooler, as shown and described.

[56] **References Cited**

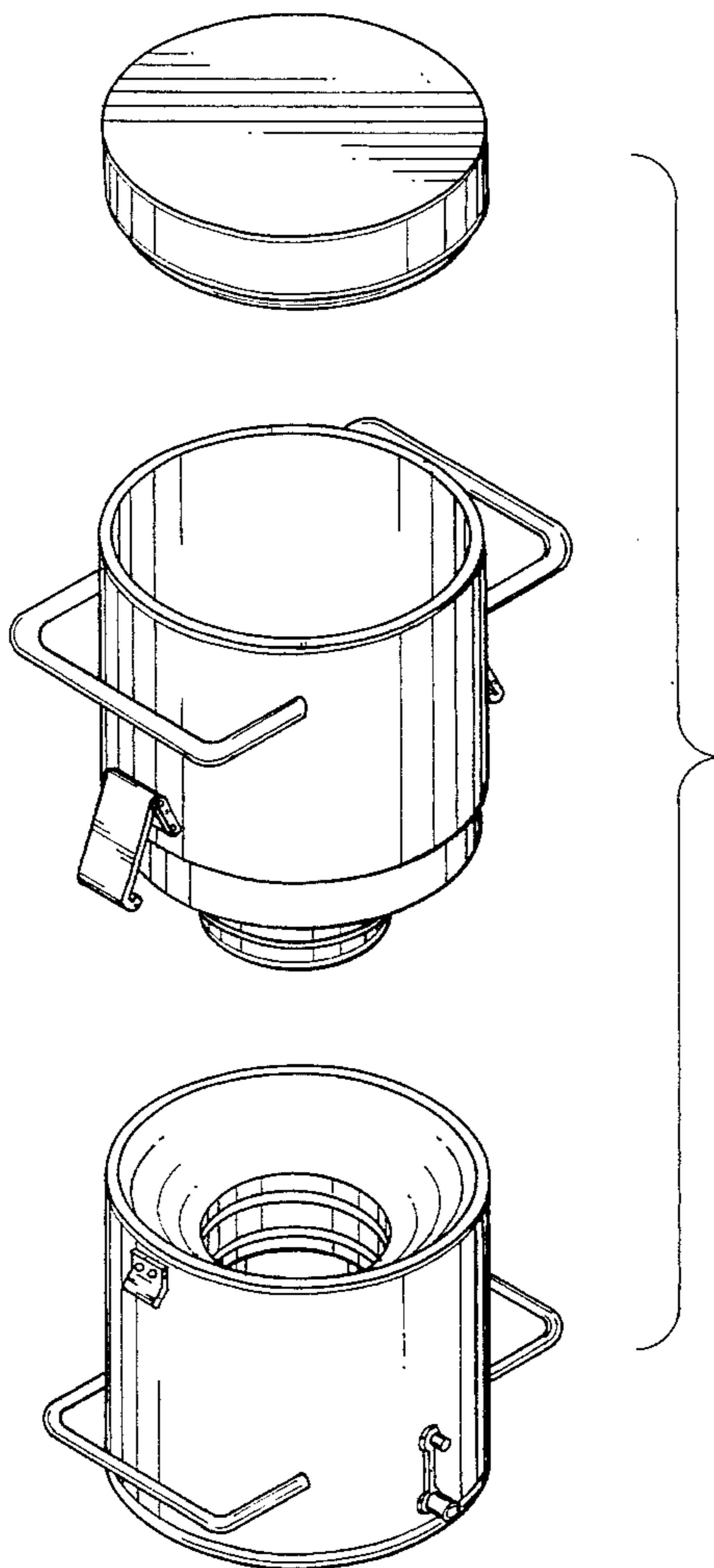
U.S. PATENT DOCUMENTS

450,527	4/1891	Poyner .	
601,798	4/1898	Slomka .	
647,925	4/1900	Kirby .	
882,824	3/1908	Hall .	
2,101,281	12/1937	Porter	206/549 X
2,504,911	4/1950	Whitecar .	
3,384,259	5/1968	Hoffstadt	206/546 X
3,769,899	11/1973	Kostko	D7/608 X
4,134,276	1/1979	Lampard .	
4,537,044	8/1985	Putnam .	
4,577,475	3/1986	Herrera .	

DESCRIPTION

FIG. 1 is an exploded perspective view of a partitioned cooler showing my new design;
FIG. 2 is an exploded front elevation view thereof;
FIG. 3 is an exploded rear elevation view thereof;
FIG. 4 is an exploded right side elevation view thereof;
FIG. 5 is an exploded left side elevation view thereof;
FIG. 6 is a top plan view thereof;
FIG. 7 is a bottom plan view thereof; and,
FIG. 8 is a front elevation view thereof.

1 Claim, 7 Drawing Sheets



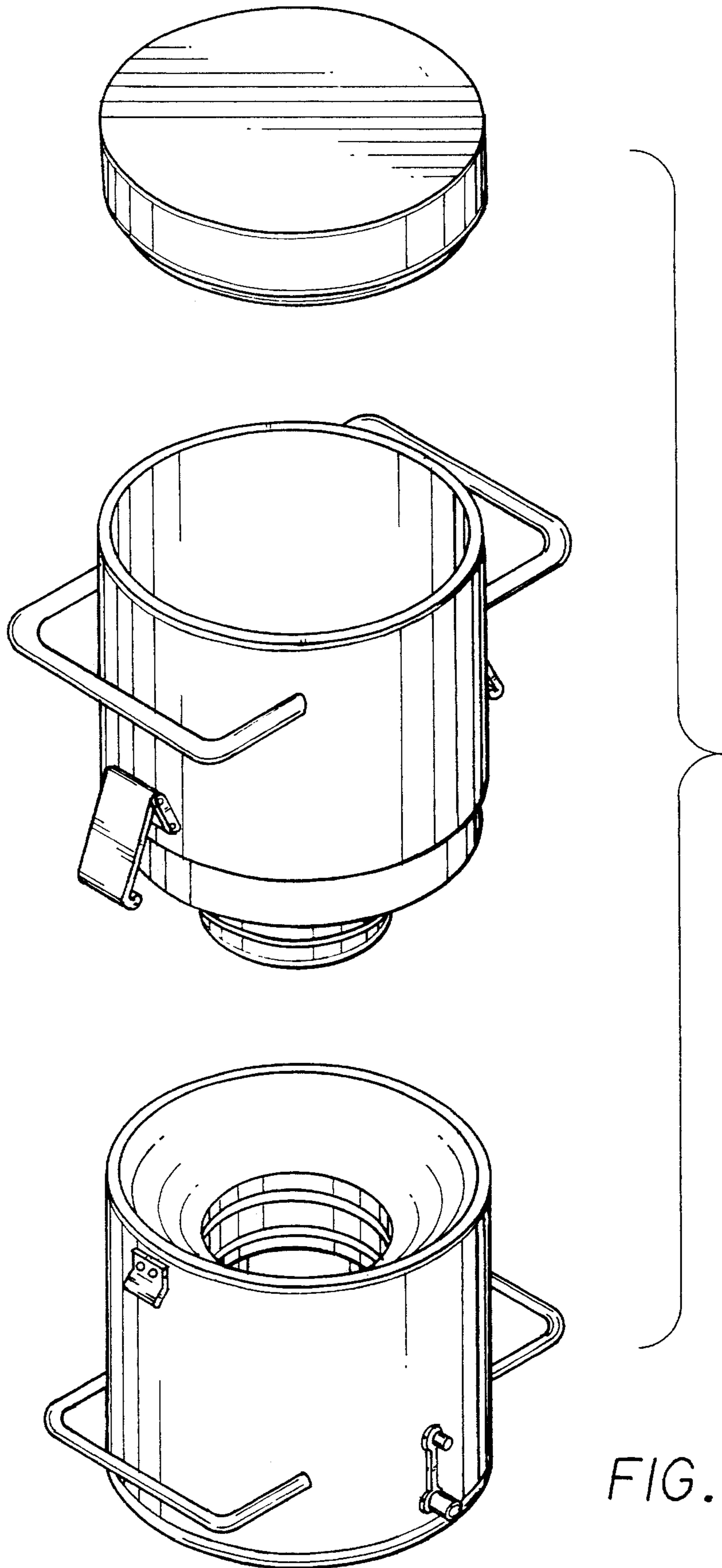


FIG. 1

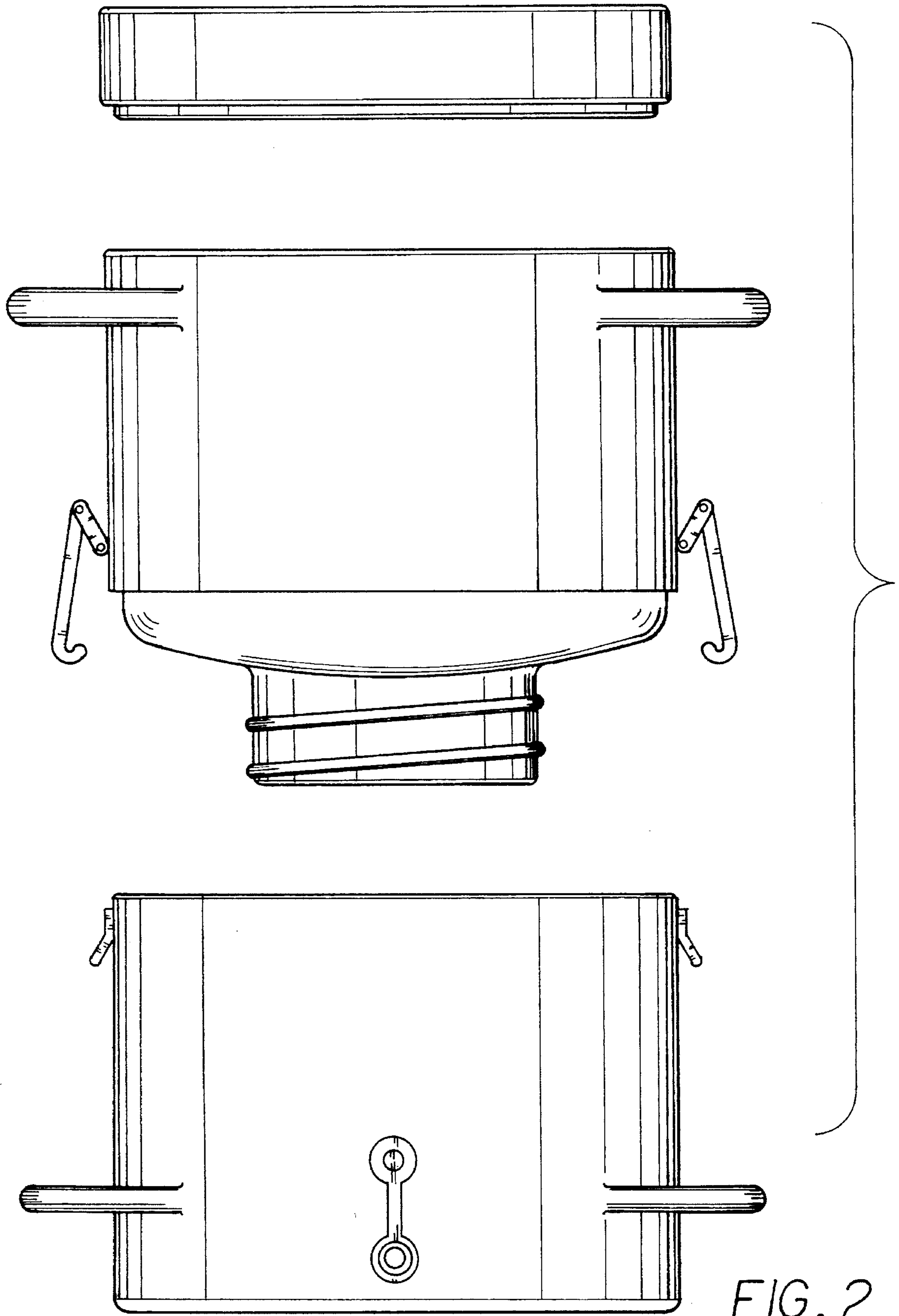


FIG. 2

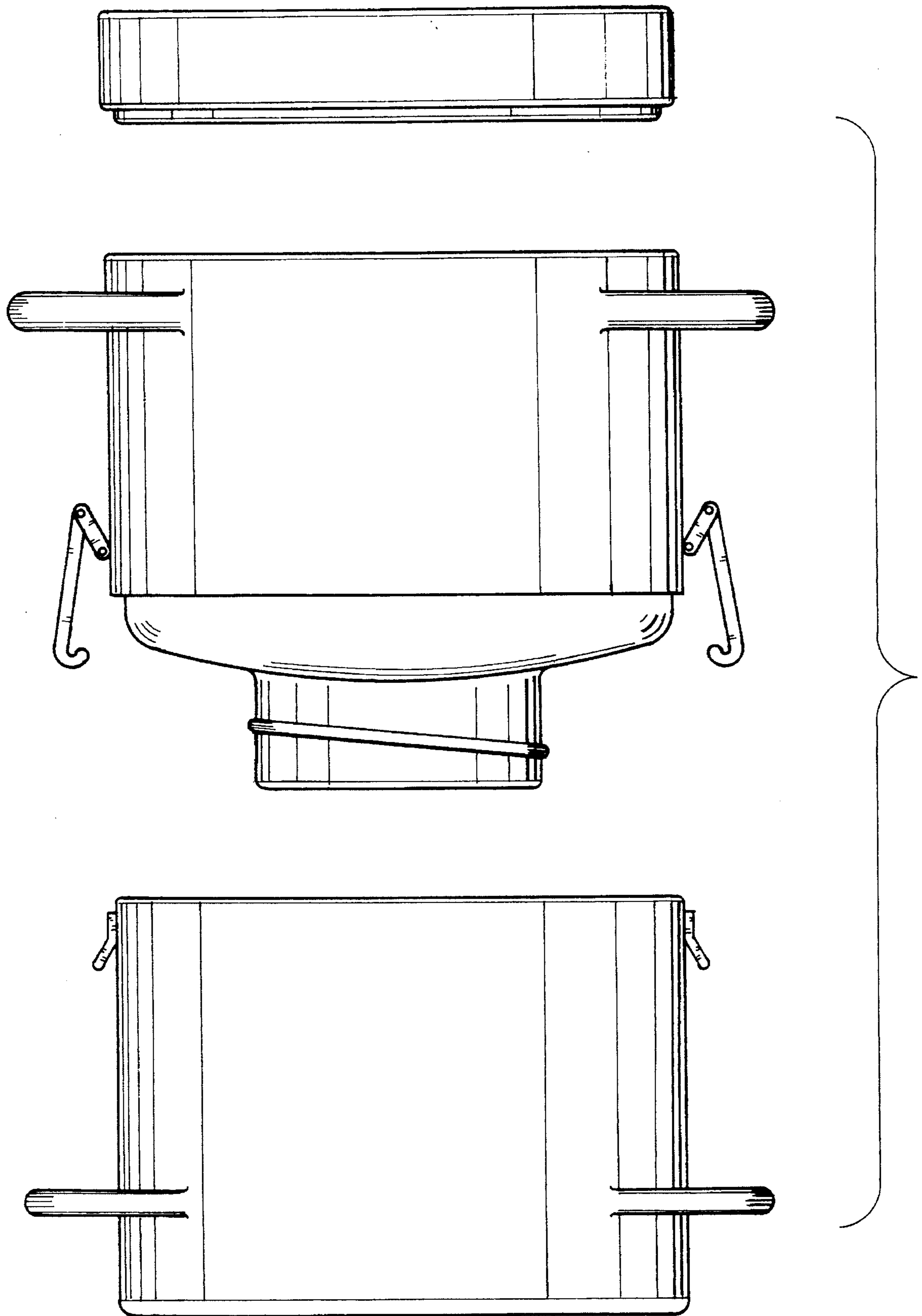


FIG. 3

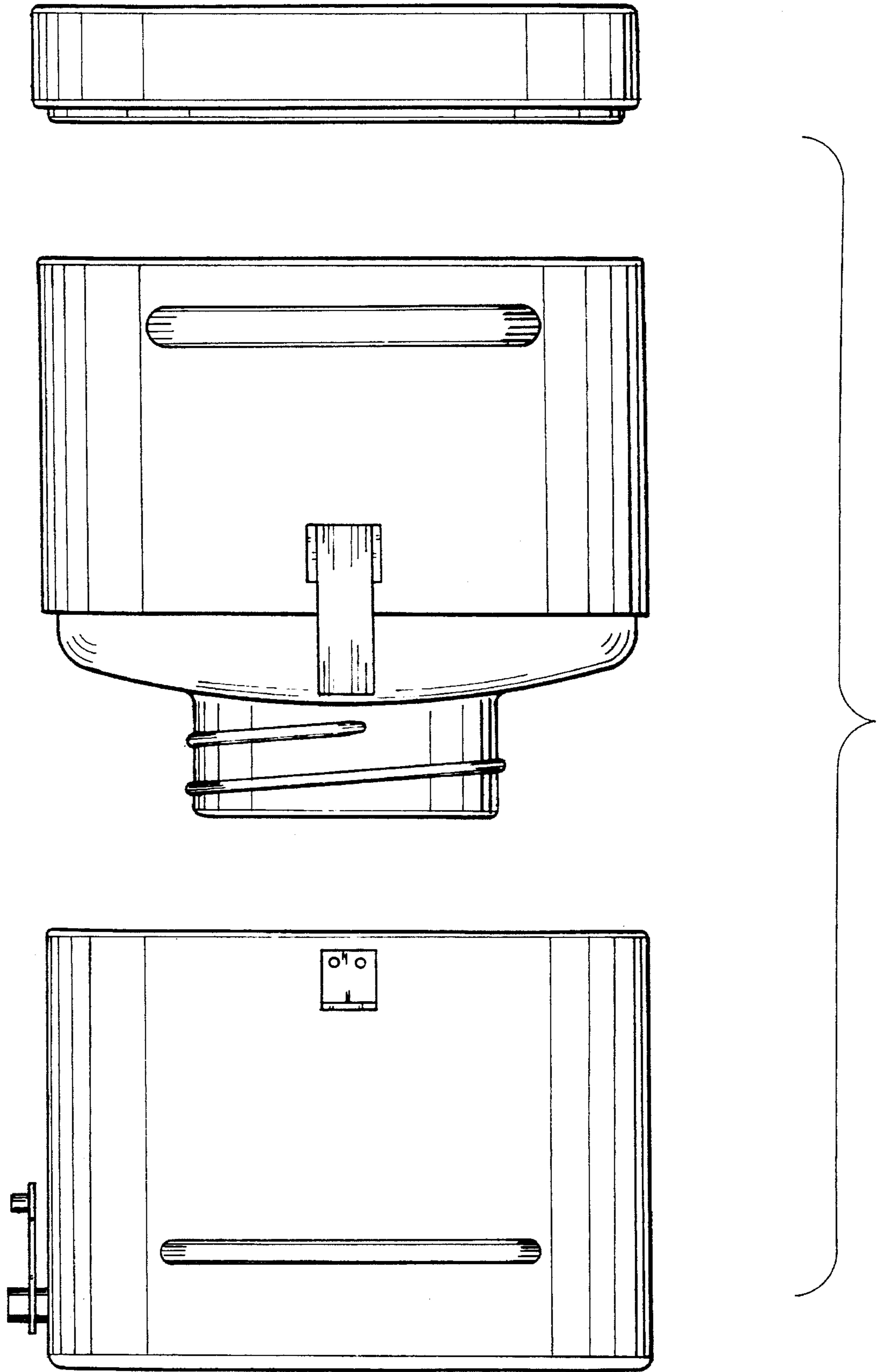


FIG. 4

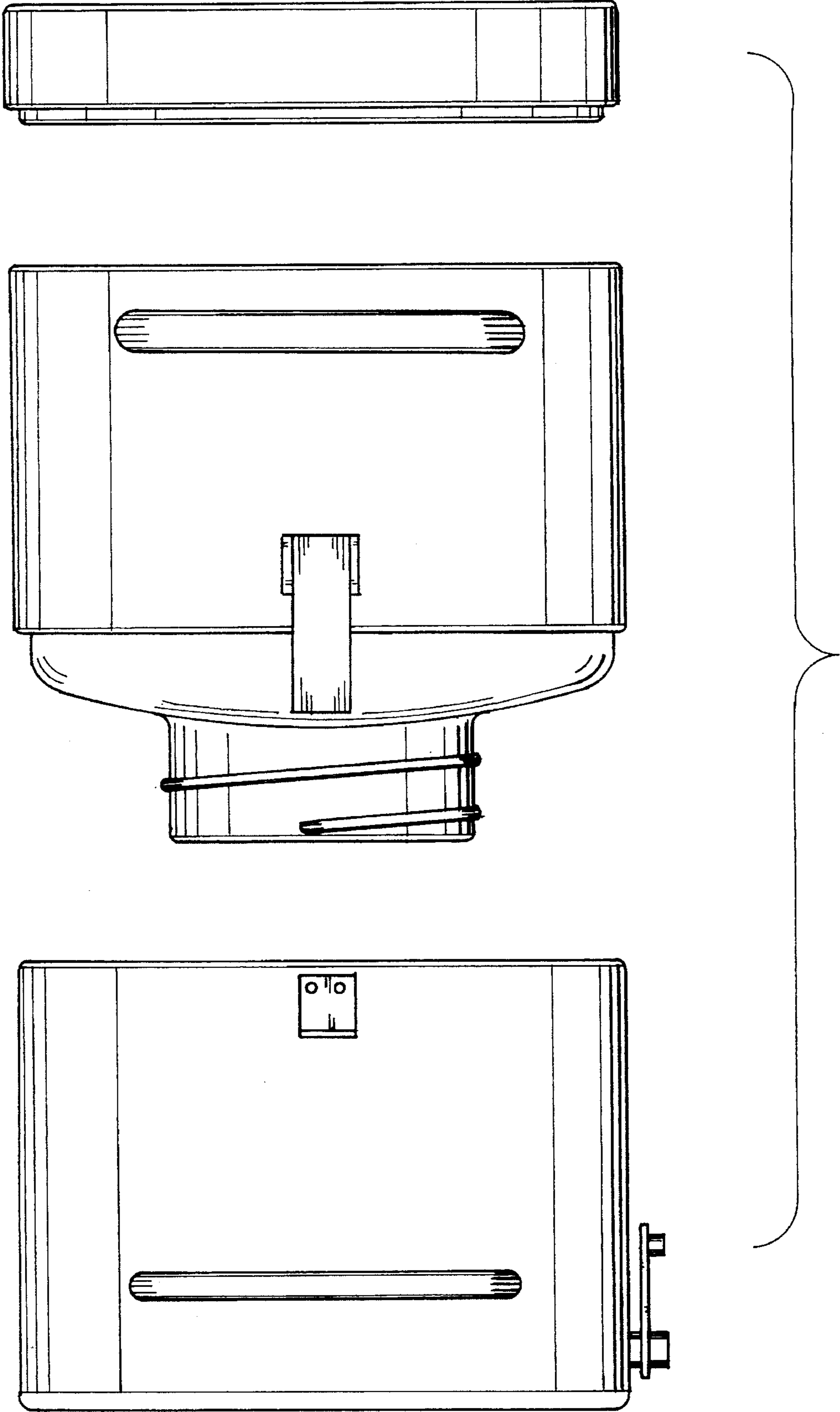


FIG. 5

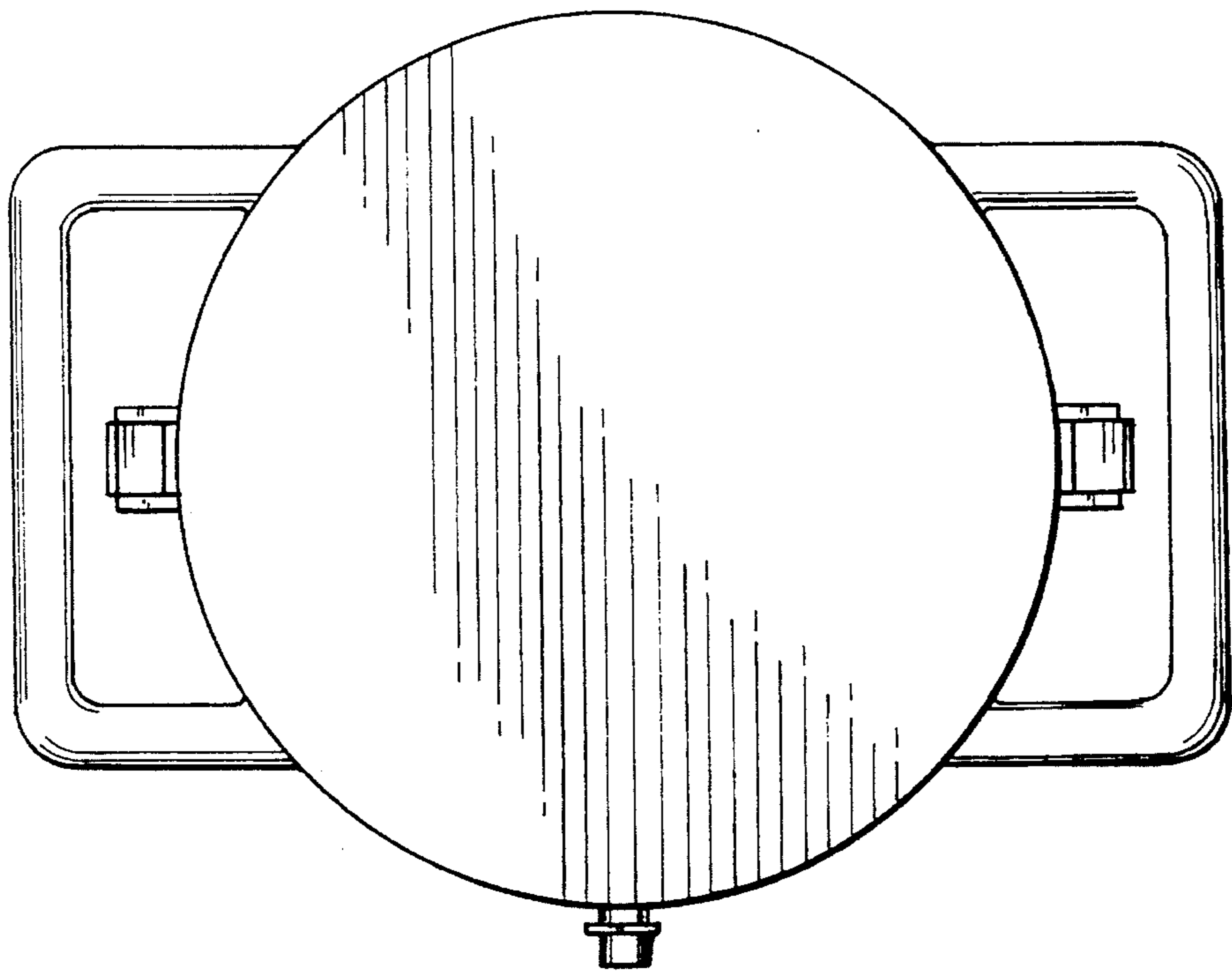


FIG. 6

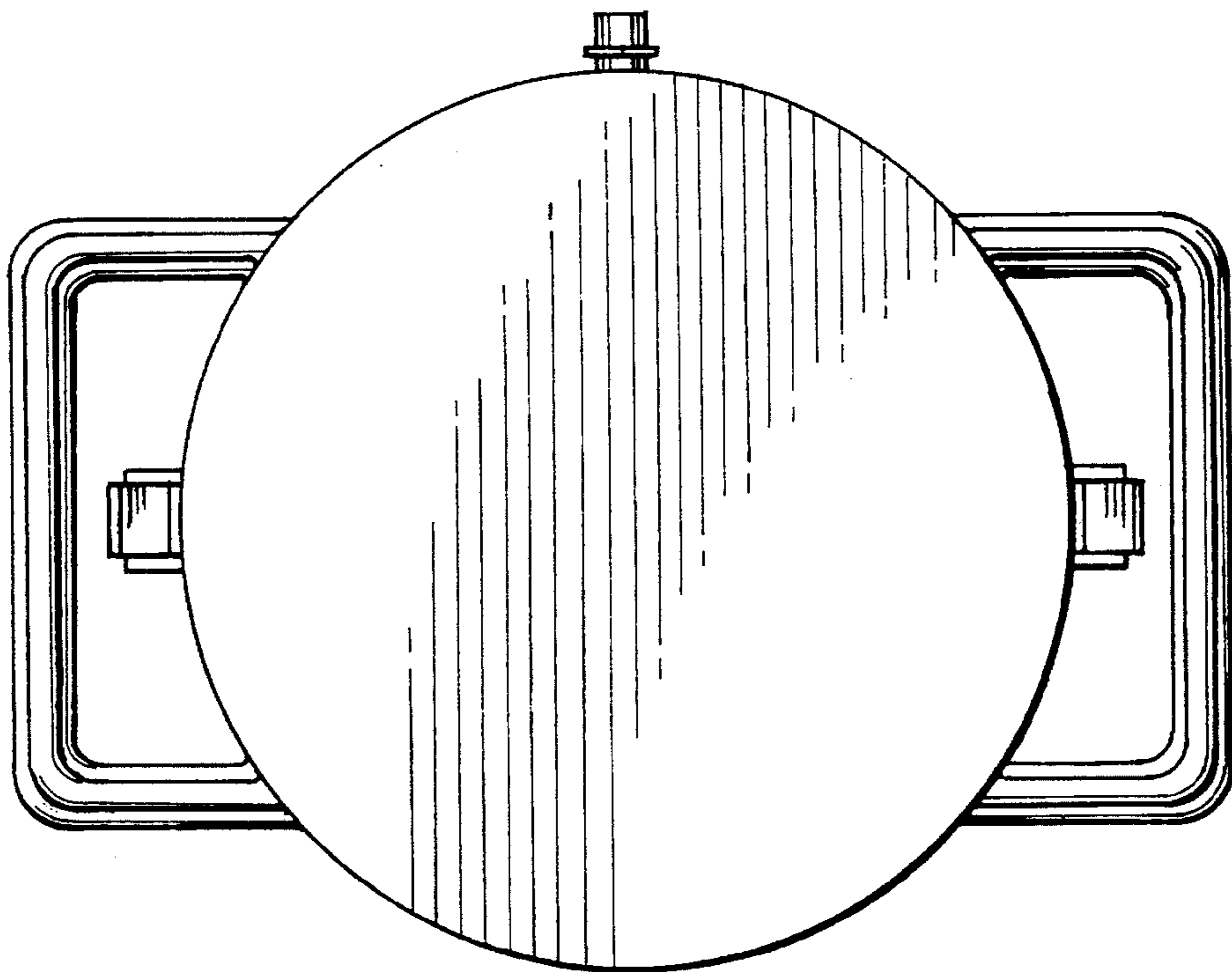


FIG. 7

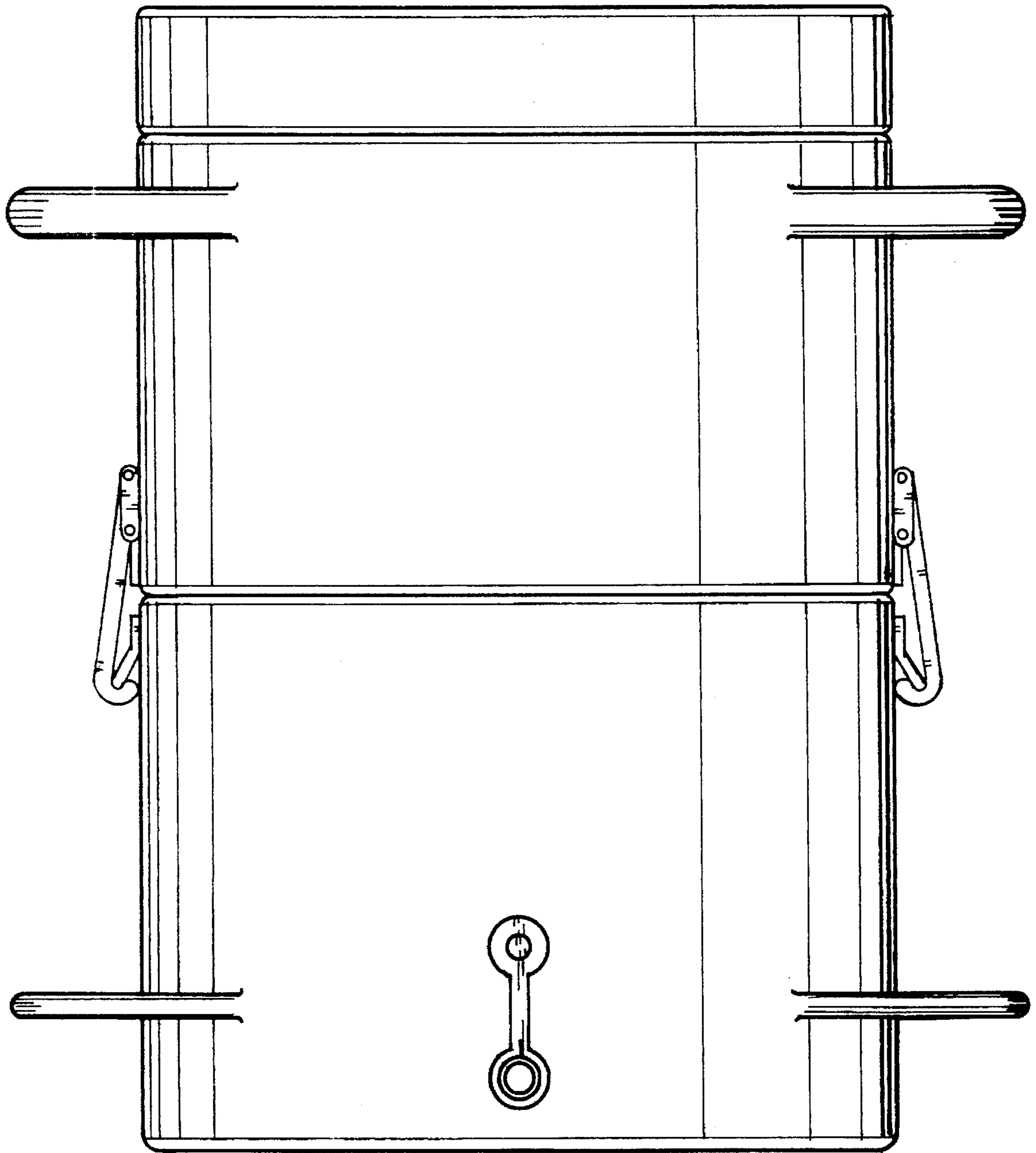


FIG. 8