



US00D365964S

United States Patent [19]
Gebhardt

[11] **Patent Number: Des. 365,964**

[45] **Date of Patent: **Jan. 9, 1996**

[54] **KNOB FOR A LID OF A POT**
[75] Inventor: **Lutz Gebhardt**, Immensee, Switzerland
[73] Assignee: **AMC International ALFA Metalcraft Corporation AG**, Switzerland
[**] Term: **14 Years**

Primary Examiner—Alan P. Douglas
Assistant Examiner—Caron D. Veynar
Attorney, Agent, or Firm—Webb Ziesenheim Bruening
Logsdon Orkin & Hanson

[21] Appl. No.: **15,701**
[22] Filed: **Nov. 24, 1993**

[57] **CLAIM**
The ornamental design for a knob for a lid of a pot, as shown and described.

[30] **Foreign Application Priority Data**
May 26, 1993 [WO] WIPO DM/026,223
[52] **U.S. Cl.** **D7/393**
[58] **Field of Search** D7/354-361, 393,
D7/396; D8/310; 16/118, 121, DIG. 30;
220/752, 753, 755, 912

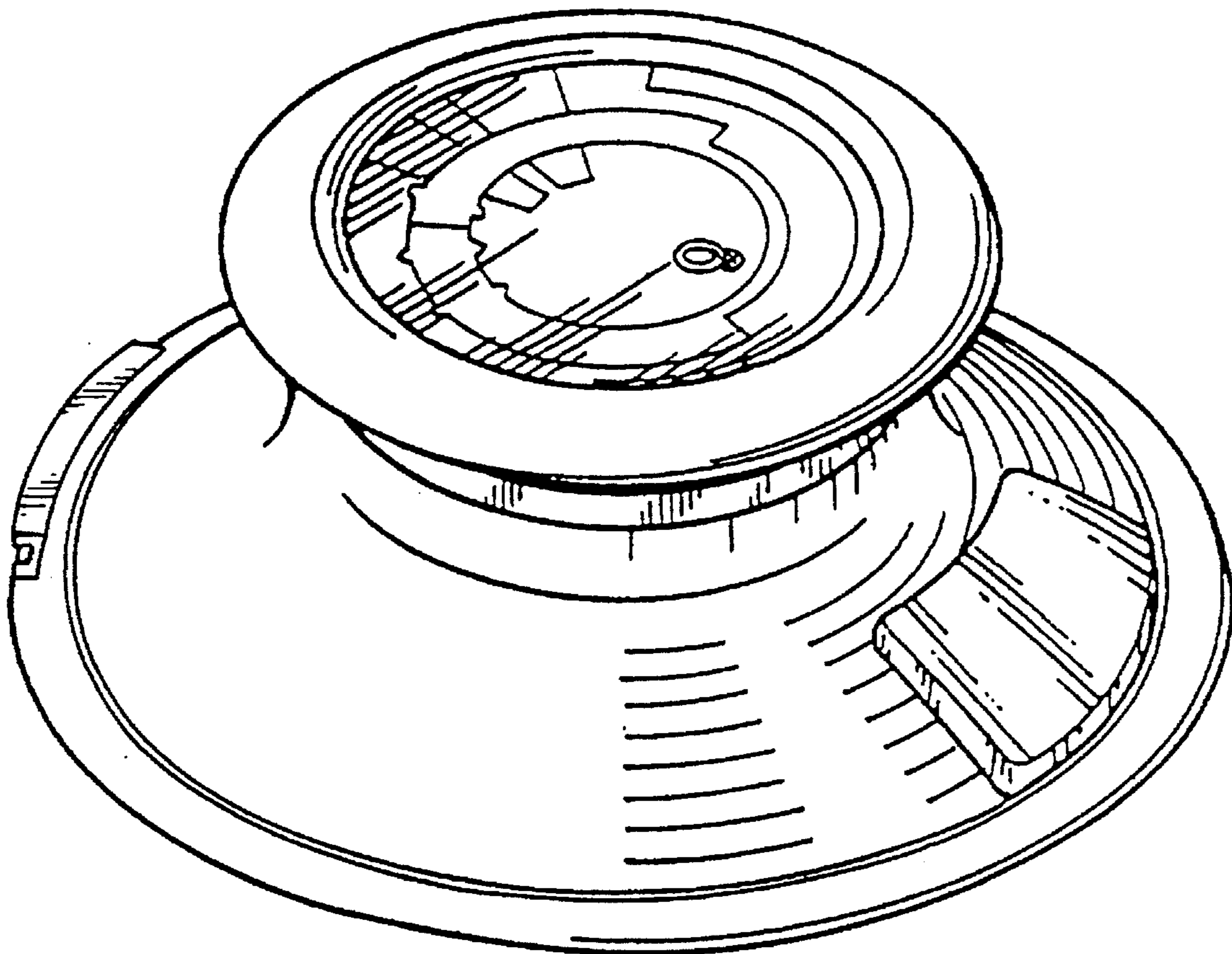
DESCRIPTION

FIG. 1 is a perspective view of the knob for a lid of a pot showing my new design;
FIG. 2 is a top plan view thereof;
FIG. 3 is a bottom plan view thereof;
FIG. 4 is a rear elevational view thereof;
FIG. 5 is a right side elevational view thereof;
FIG. 6 is a front elevational view thereof;
FIG. 7 is a left side elevational view thereof;
FIG. 8 is a left side elevational view thereof, the broken line showing of a pot lid is environmental only and forms no part of the claimed design; and,
FIG. 9 is a top plan view thereof, the broken line showing of a pot lid is environmental only and forms no part of the claimed design.

[56] **References Cited**
U.S. PATENT DOCUMENTS
D. 212,379 10/1968 Dudas et al. D7/393
D. 261,349 10/1981 Ryser D7/393
D. 298,506 11/1988 Lee D7/393
D. 305,493 1/1990 Ryser D7/358 X
D. 306,960 4/1990 Dricken et al. D7/393

FOREIGN PATENT DOCUMENTS
68307 2/1979 WIPO .

1 Claim, 5 Drawing Sheets



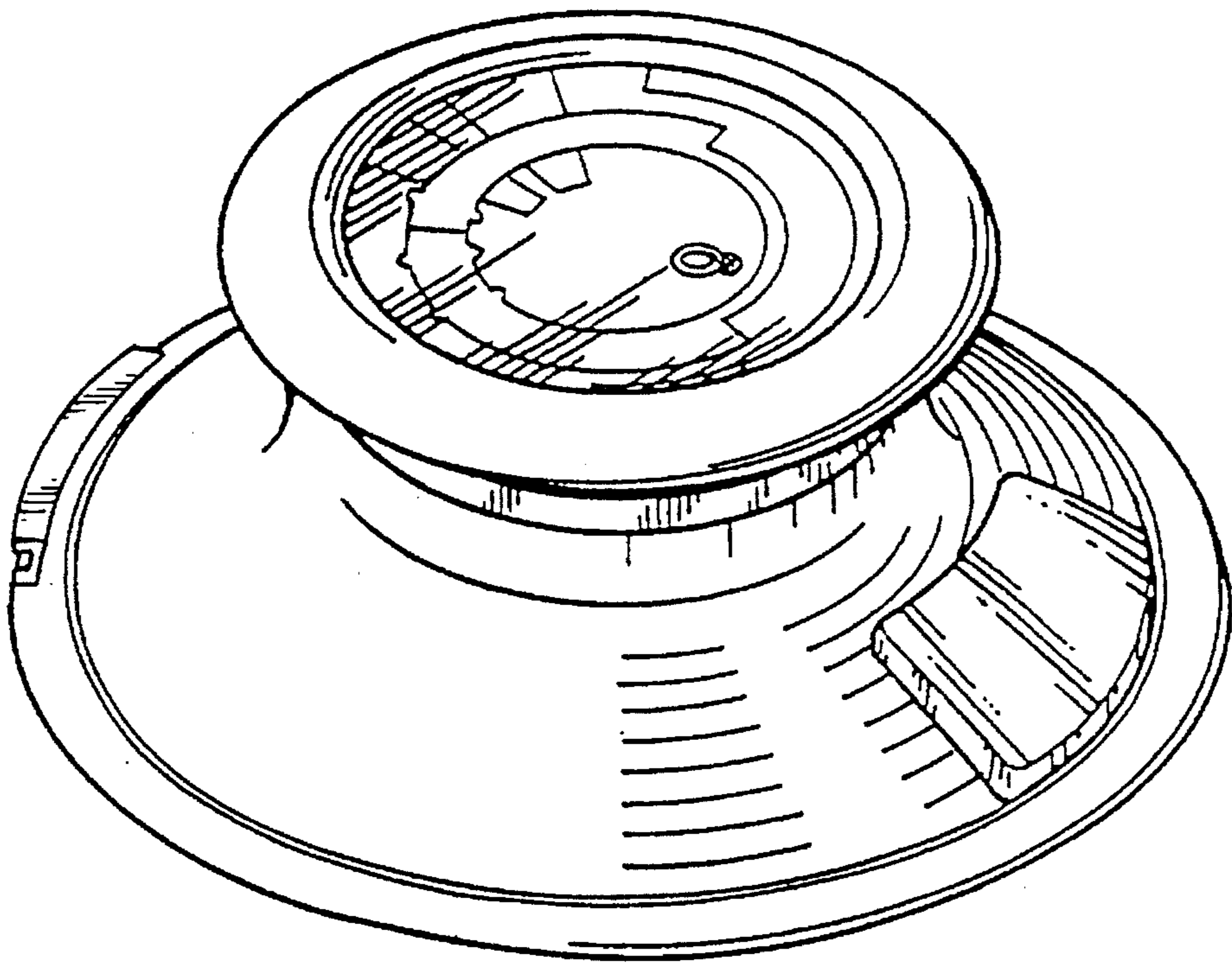


FIG. 1

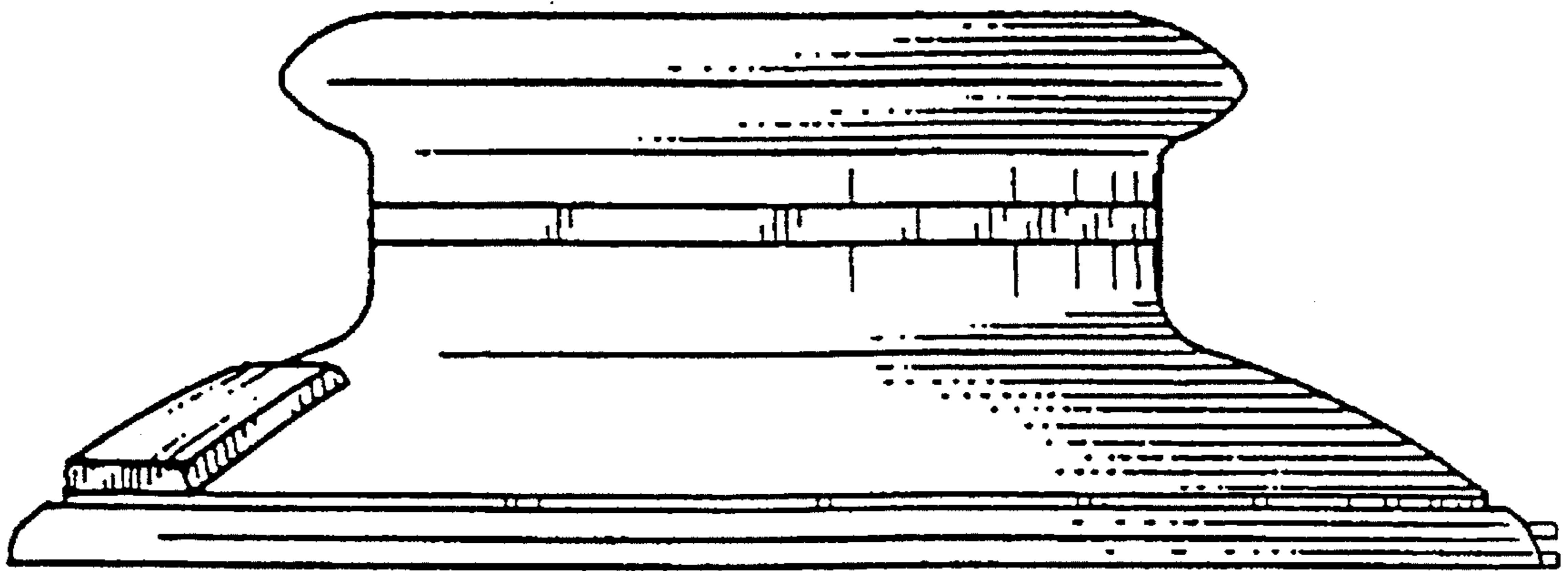


FIG. 5

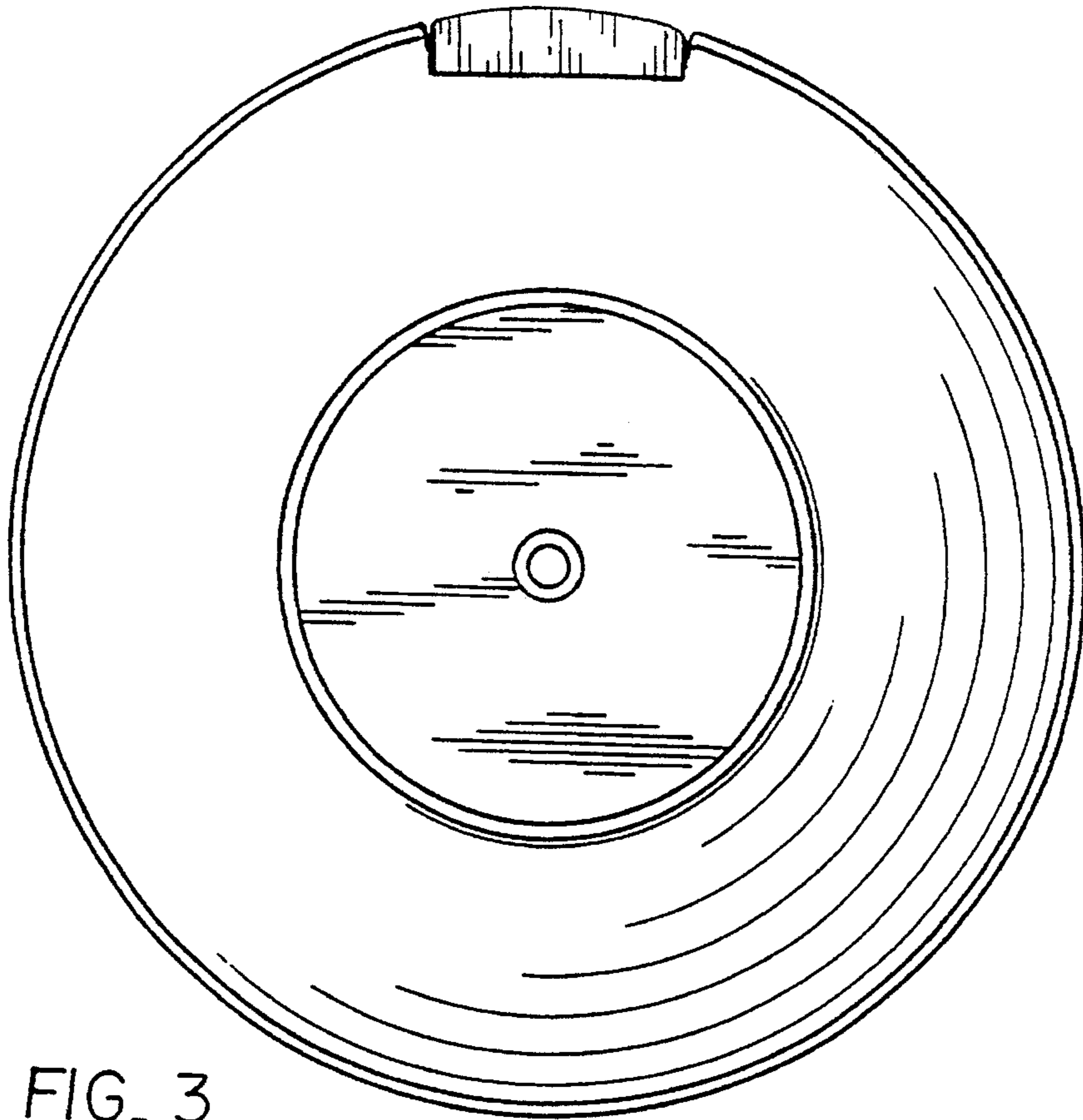


FIG. 3

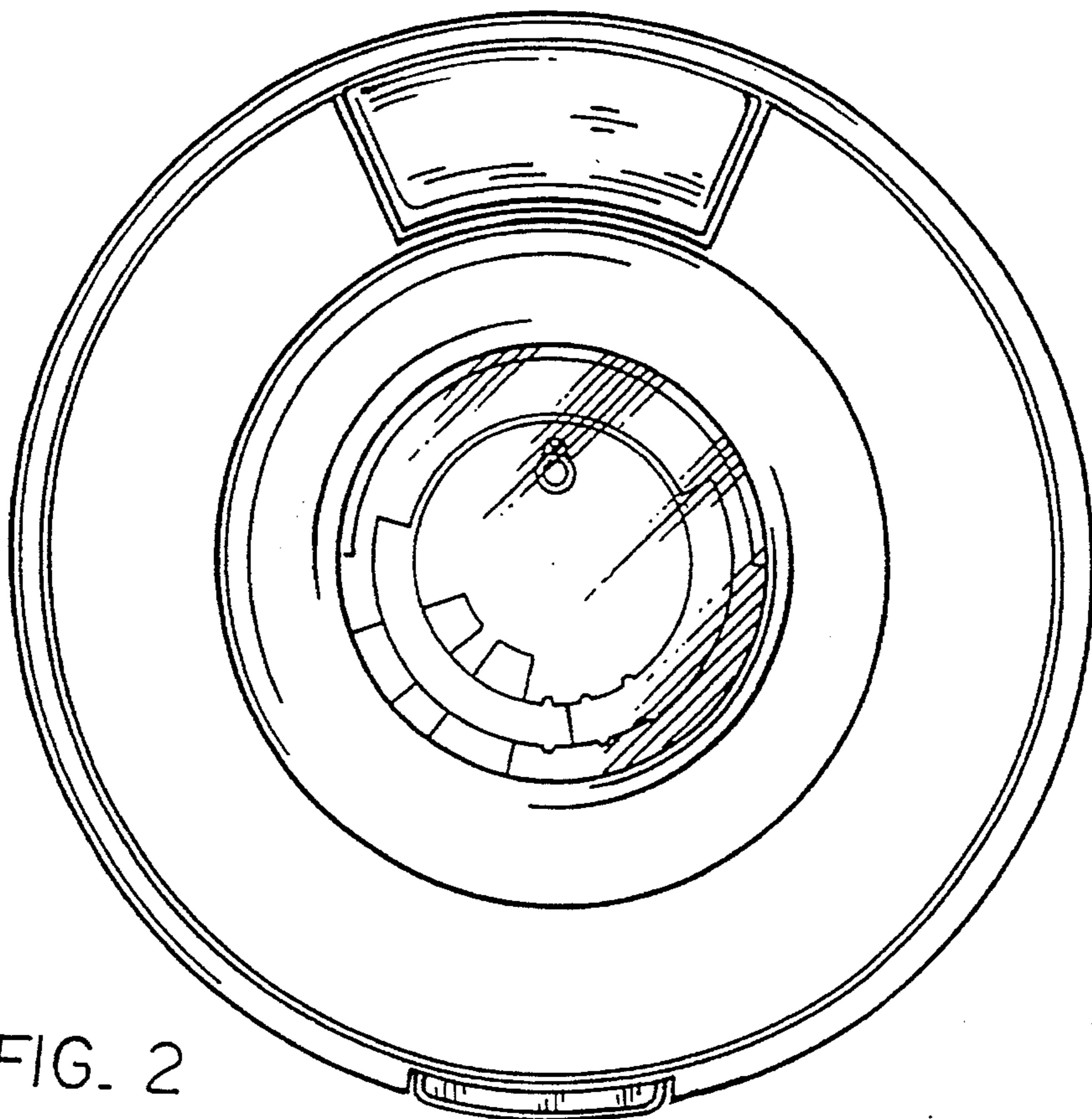


FIG. 2

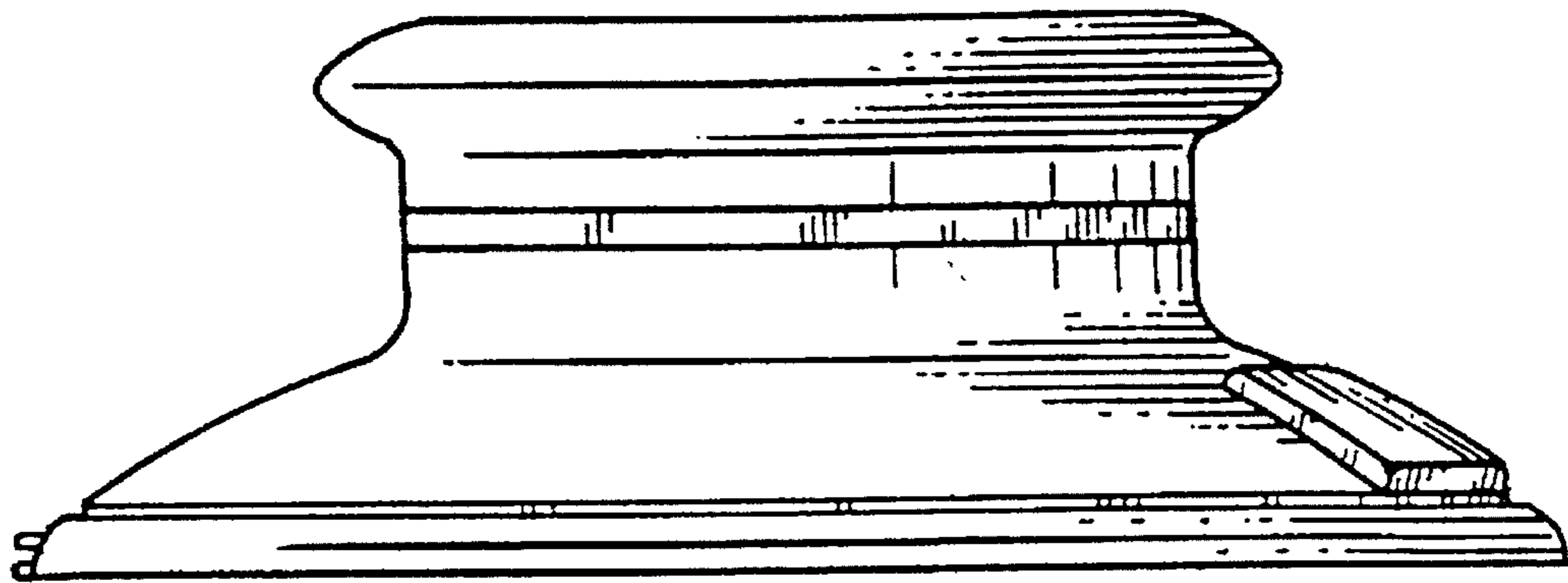


FIG. 7

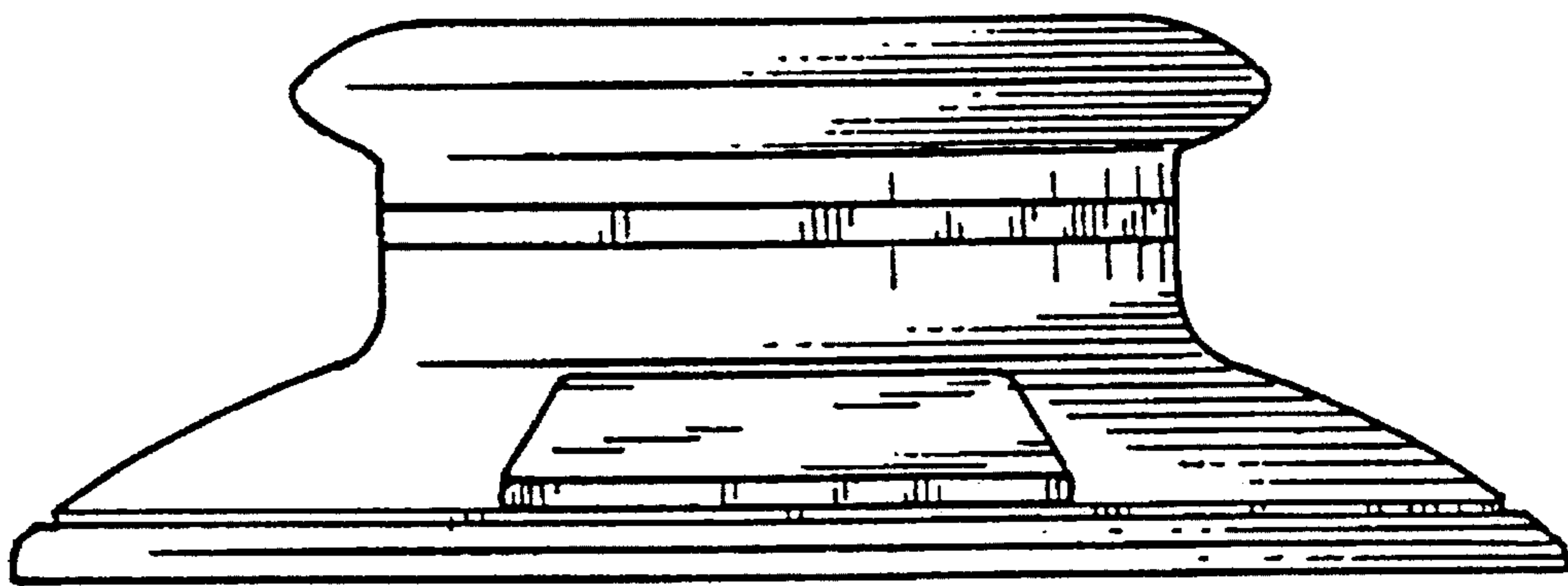


FIG. 6

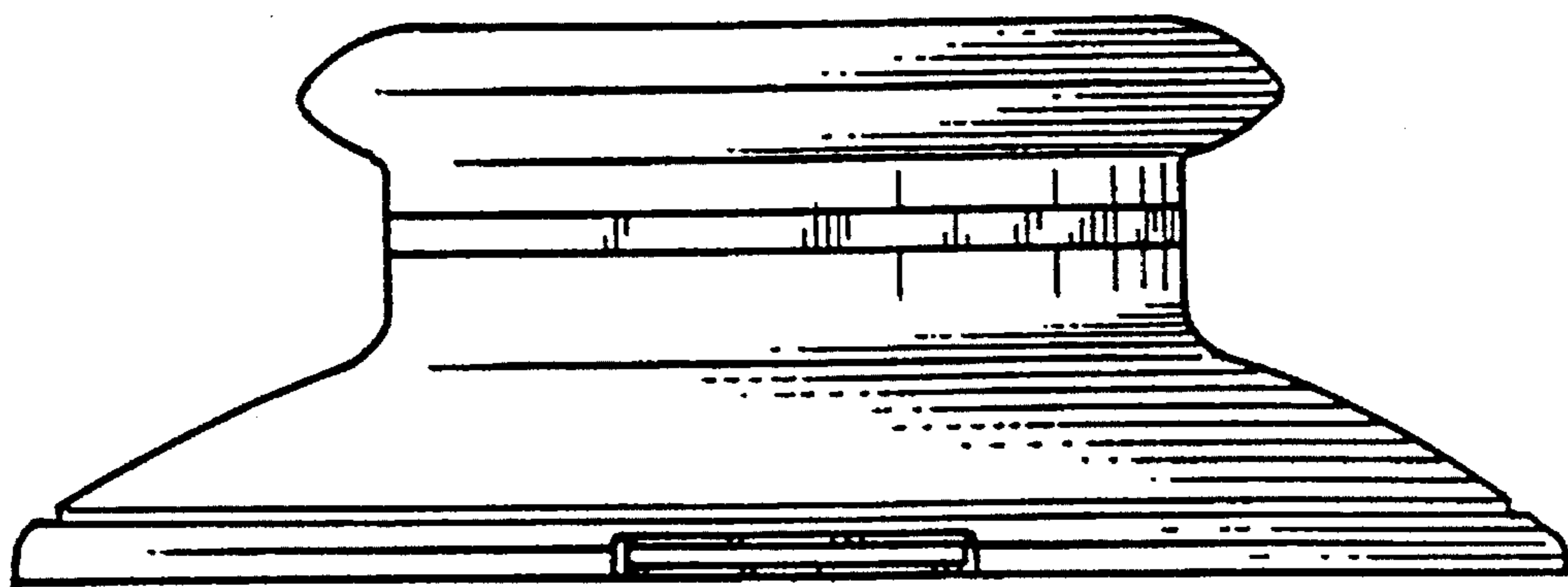


FIG. 4

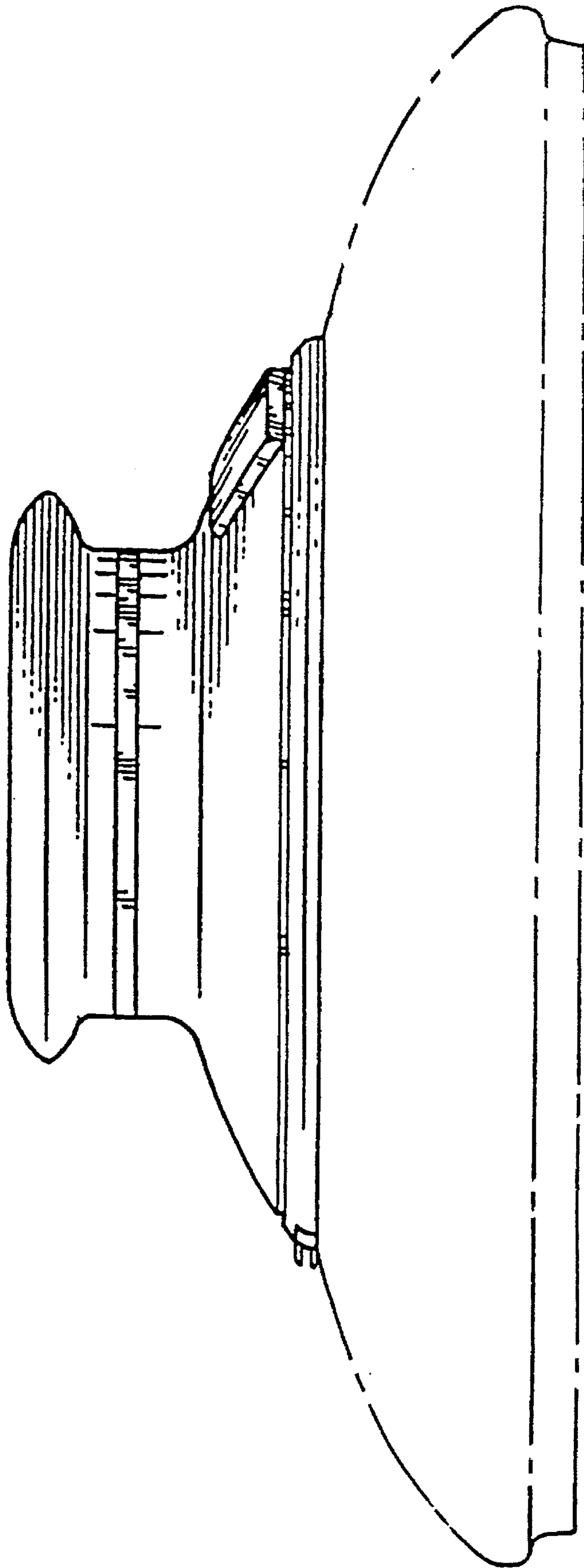


FIG. 8

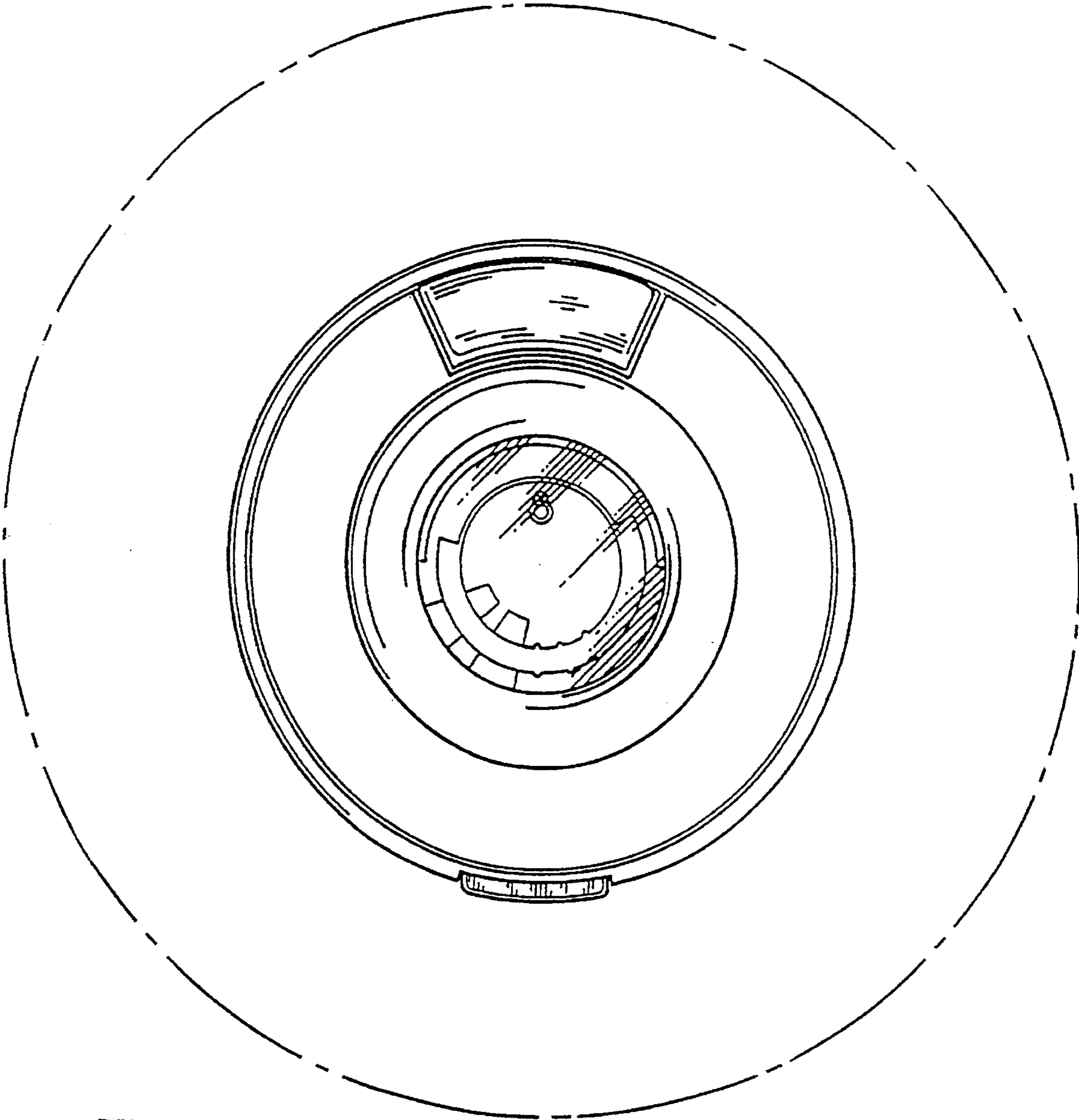


FIG. 9