



US00D365961S

United States Patent [19]
Cortese

[11] **Patent Number:** **Des. 365,961**
[45] **Date of Patent:** ****Jan. 9, 1996**

[54] **COFFEE MACHINE**

[75] Inventor: **Virginio Cortese**, Turin, Italy

[73] Assignee: **Essegelle S.r.l.**, Turin, Italy

[**] Term: **14 Years**

[21] Appl. No.: **19,741**

[22] Filed: **Jan. 19, 1994**

[30] **Foreign Application Priority Data**

Jul. 20, 1993 [IT] Italy TO9300157
Jan. 11, 1994 [IT] Italy TO9400006

[52] **U.S. Cl.** **D7/309**; D7/311; D7/310

[58] **Field of Search** D7/300, 305, 309,
D7/310, 311, 307, 308; 99/306, 295

[56] **References Cited**

U.S. PATENT DOCUMENTS

D. 254,892	5/1980	Smit	D7/310
D. 292,961	12/1987	Daugherty	D7/309
D. 300,198	3/1989	Eugster	D9/309 X
D. 336,004	6/1993	Kahlcke	D7/310 X
D. 355,562	2/1995	Defelip	D7/310 X
4,951,556	8/1990	Ng	D7/309 X

Primary Examiner—Alan P. Douglas
Assistant Examiner—M. N. Pandozzi
Attorney, Agent, or Firm—Shlesinger, Arkwright & Garvey

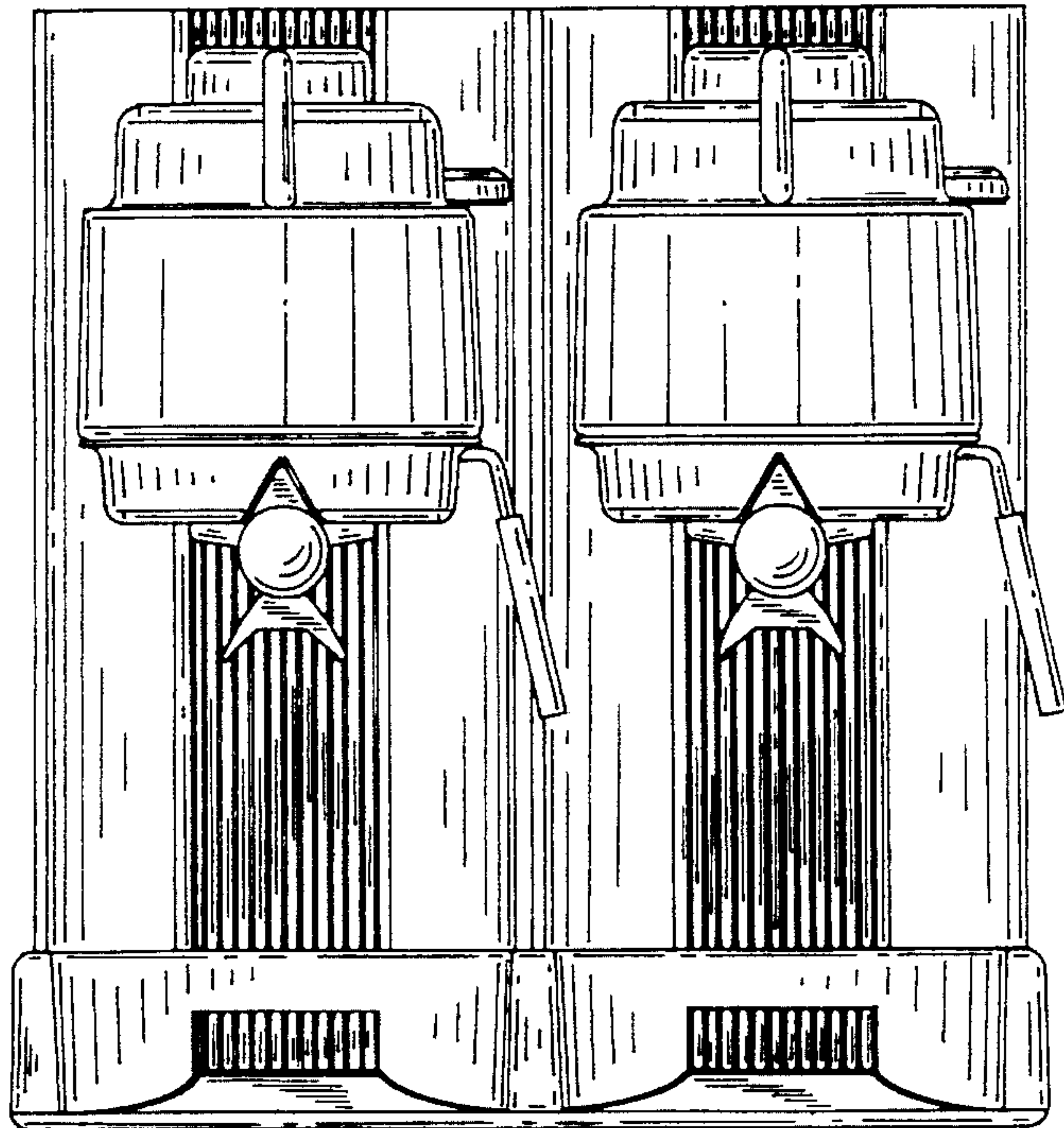
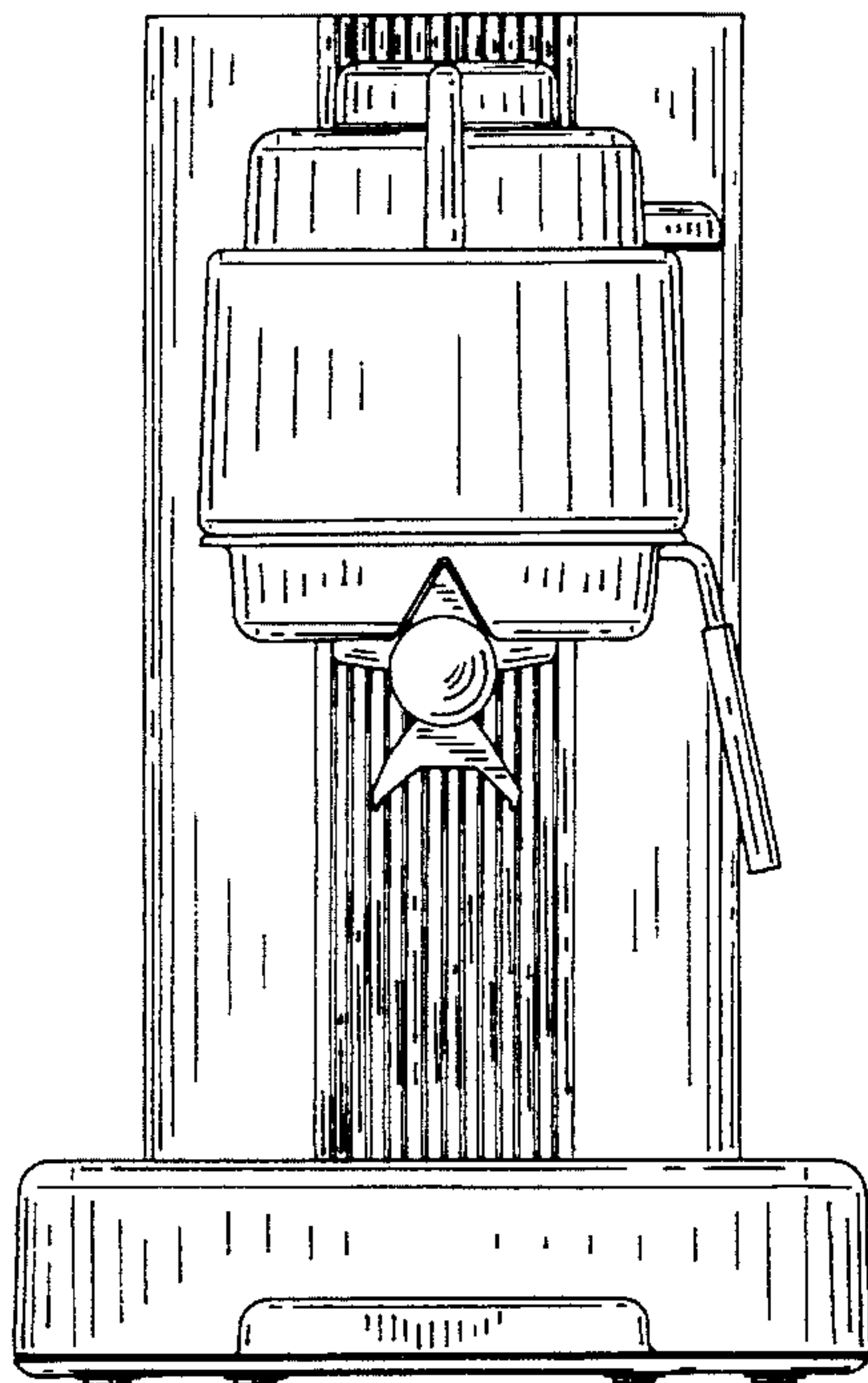
[57] **CLAIM**

The ornamental design for a coffee machine, as shown and described.

DESCRIPTION

FIG. 1 is a front view of a first embodiment of my new design relating to a coffee machine;
FIG. 2 is a top plan view thereof;
FIG. 3 is a right side view thereof;
FIG. 4 is a left side view thereof;
FIG. 5 is a bottom plan view thereof;
FIG. 6 is a rear plan view thereof;
FIG. 7 is a front view of a second embodiment of my new design relating to a coffee machine;
FIG. 8 is a top plan view thereof;
FIG. 9 is a right side view thereof;
FIG. 10 is a left side view thereof;
FIG. 11 is a bottom plan view thereof; and,
FIG. 12 is a rear plan view thereof.

1 Claim, 9 Drawing Sheets



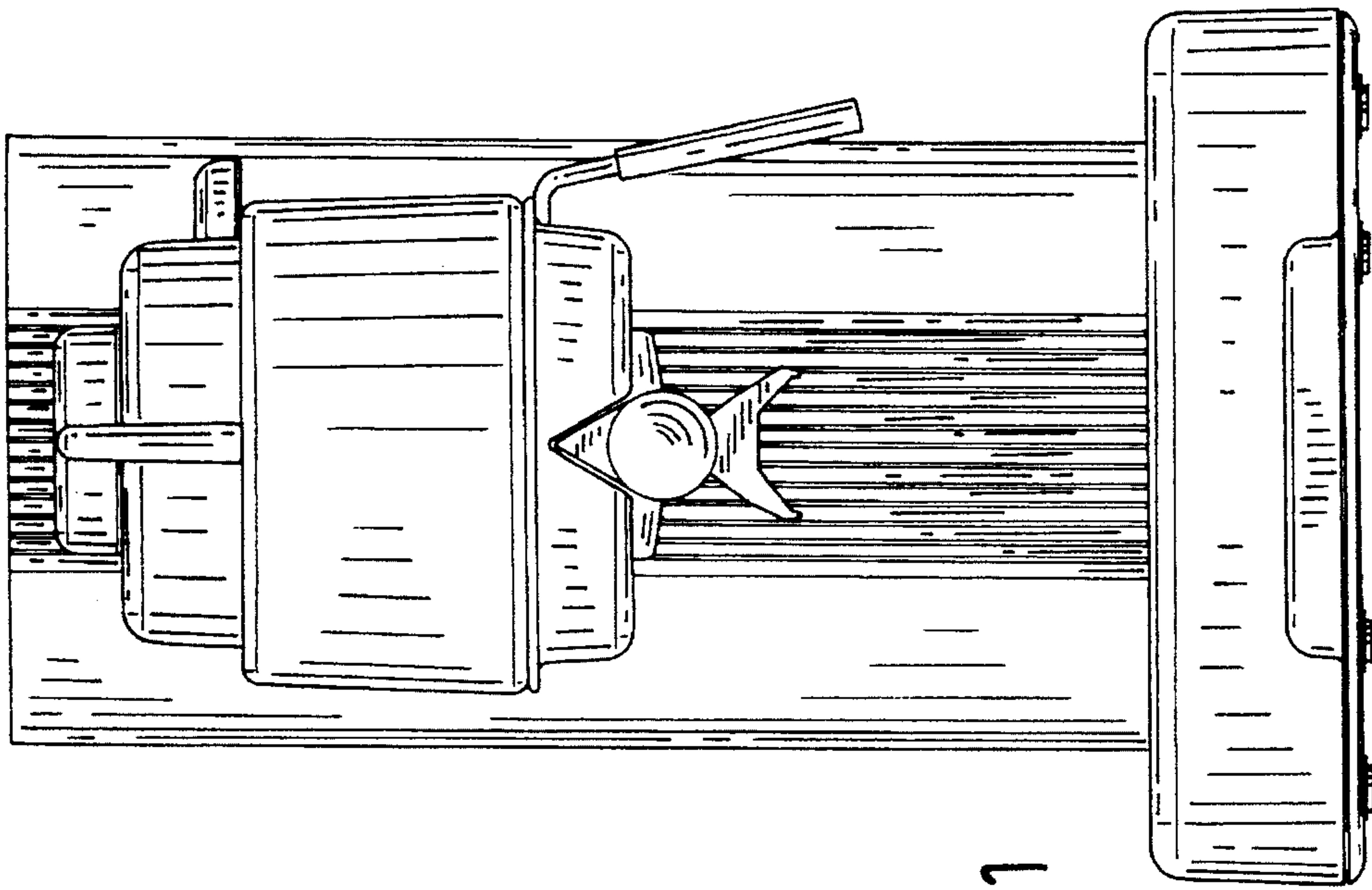


Fig. 1

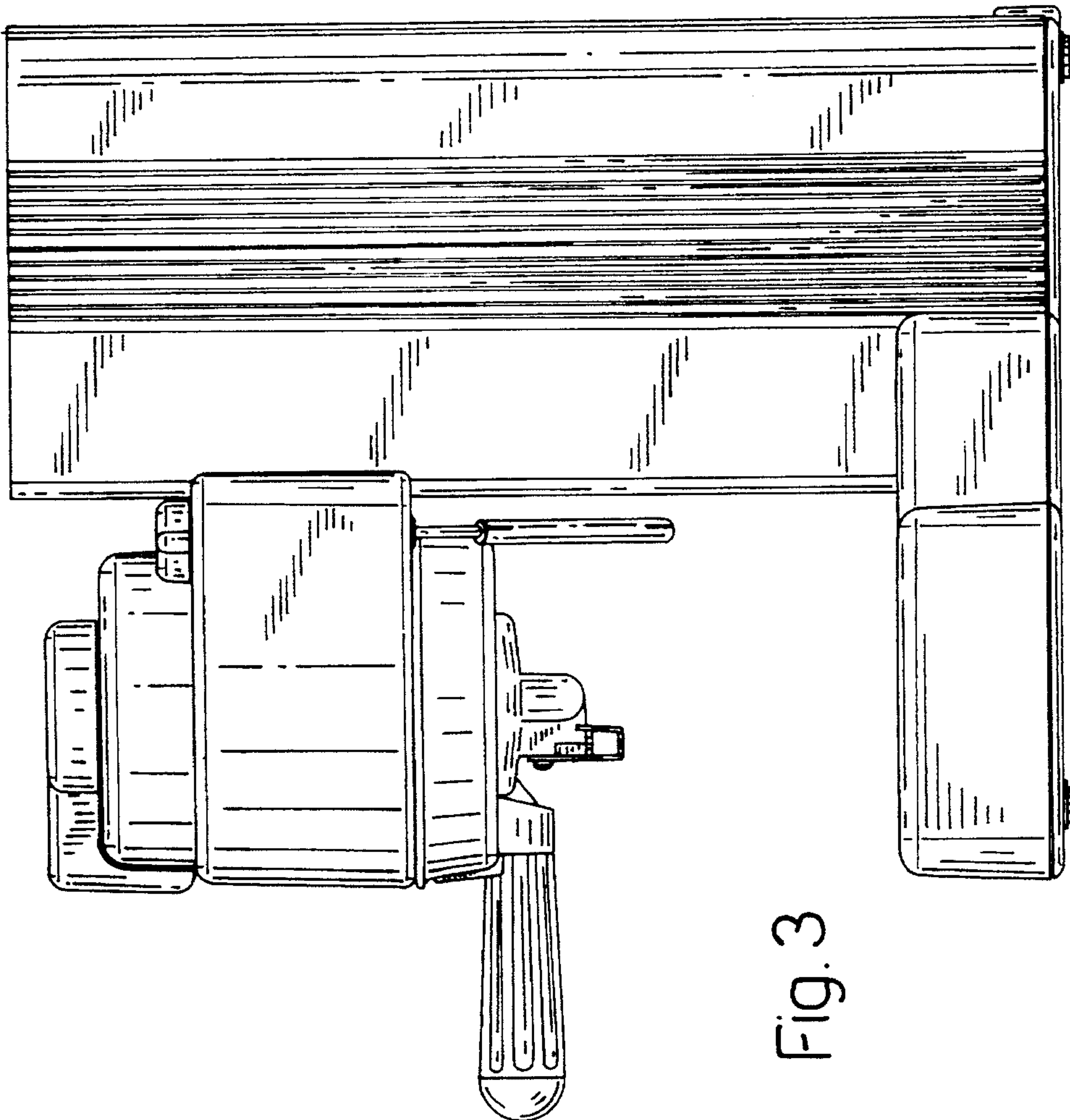


Fig. 3

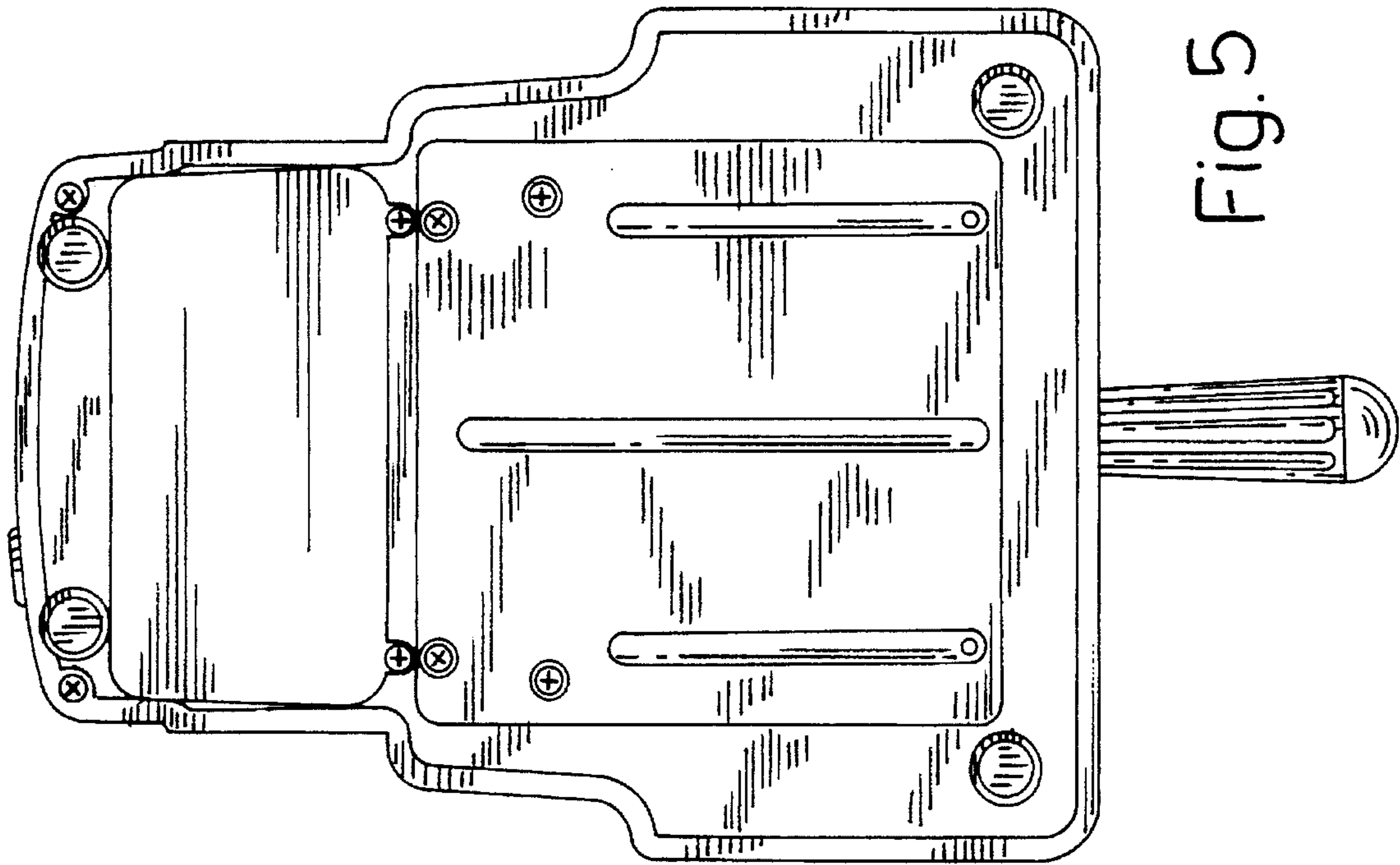


FIG. 5

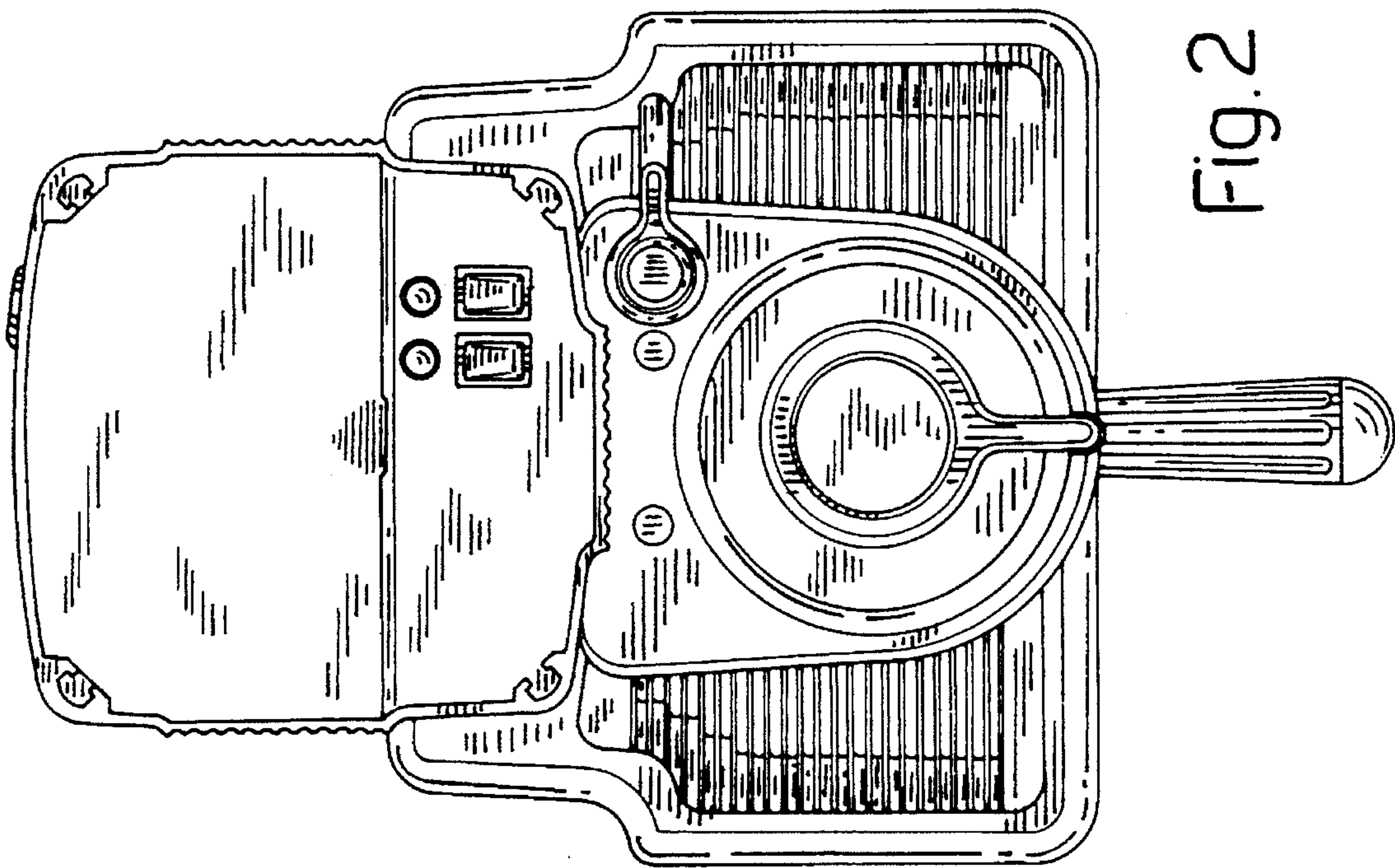


FIG. 2

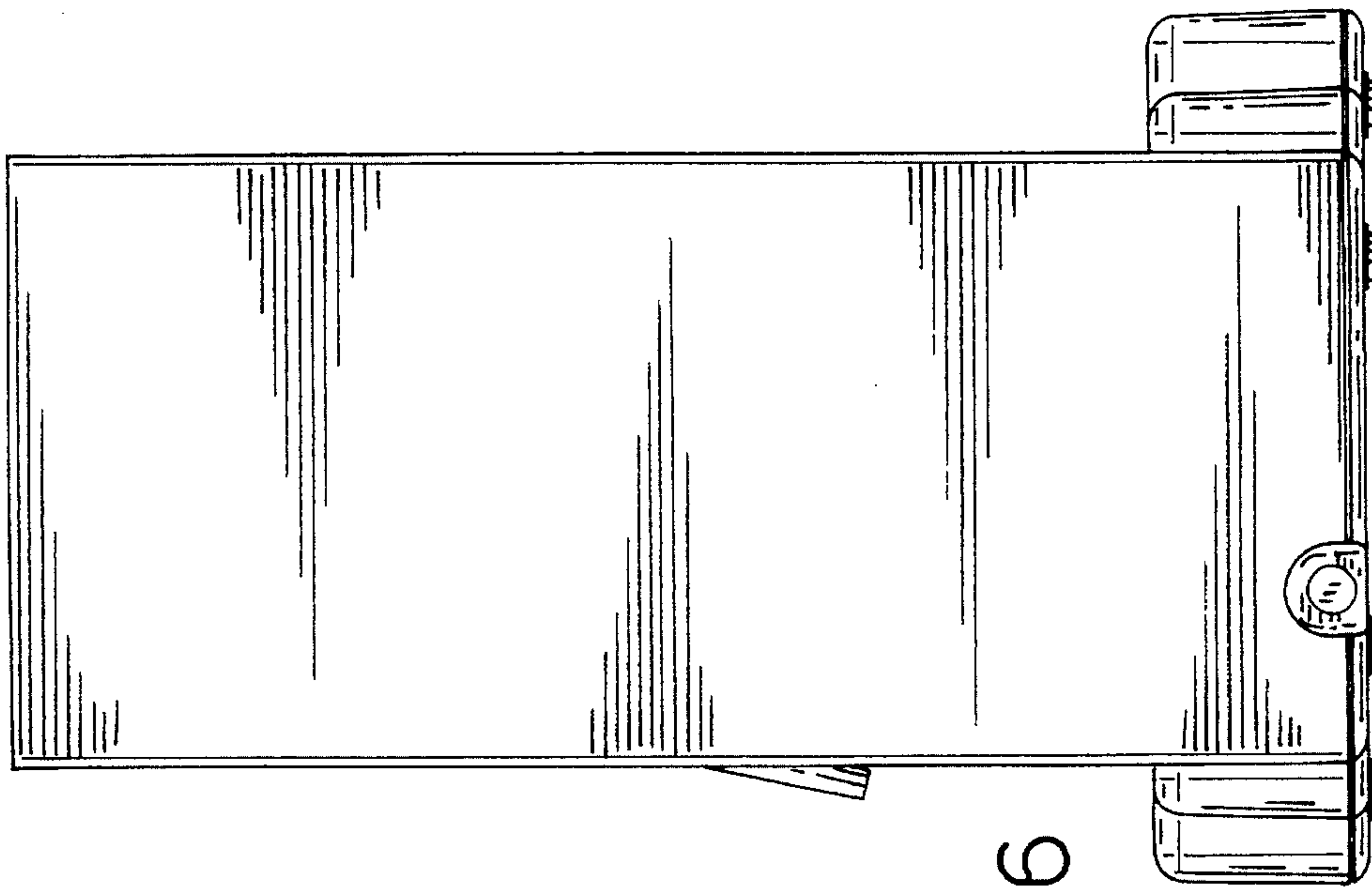


Fig.6

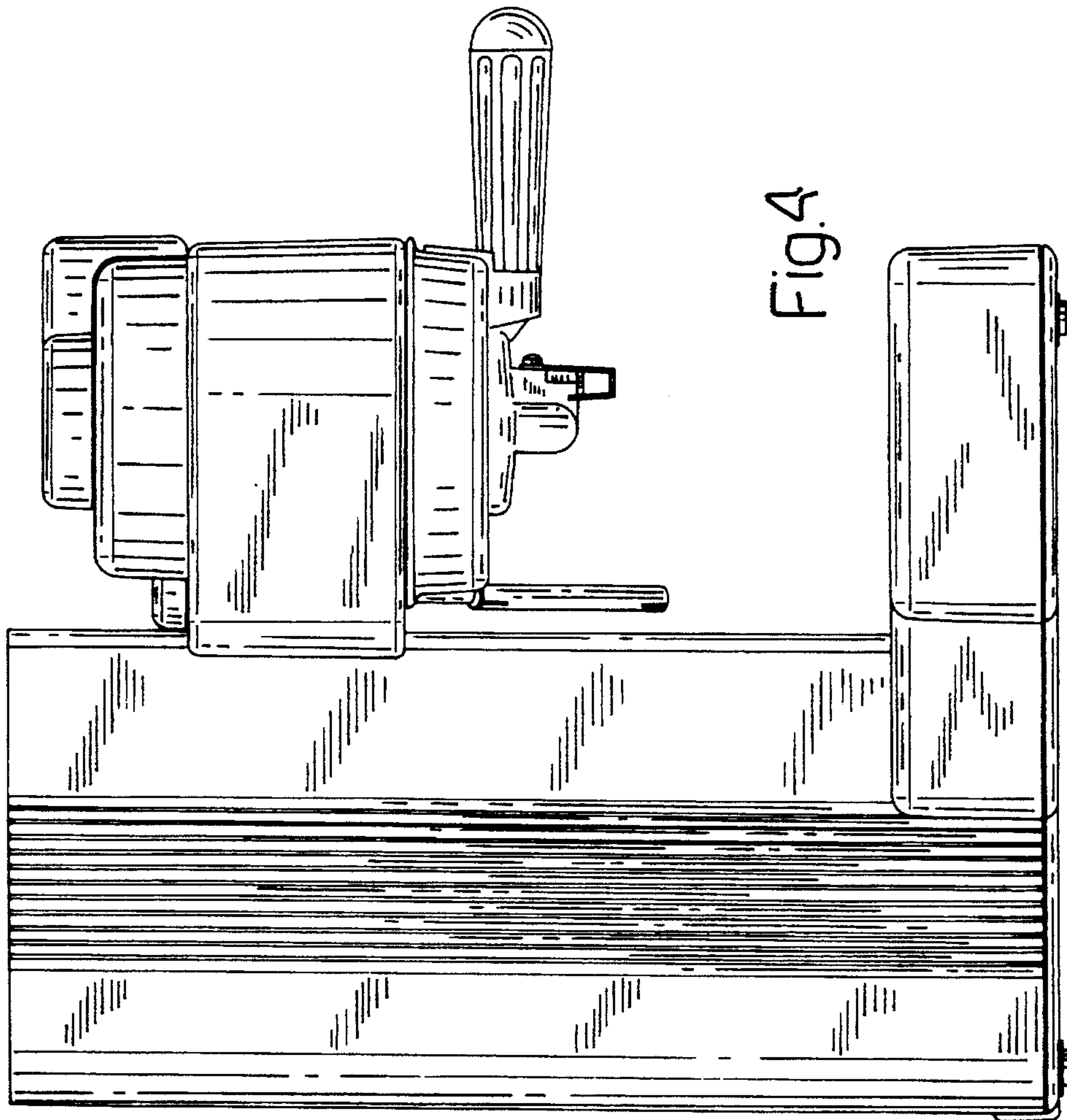


Fig.4

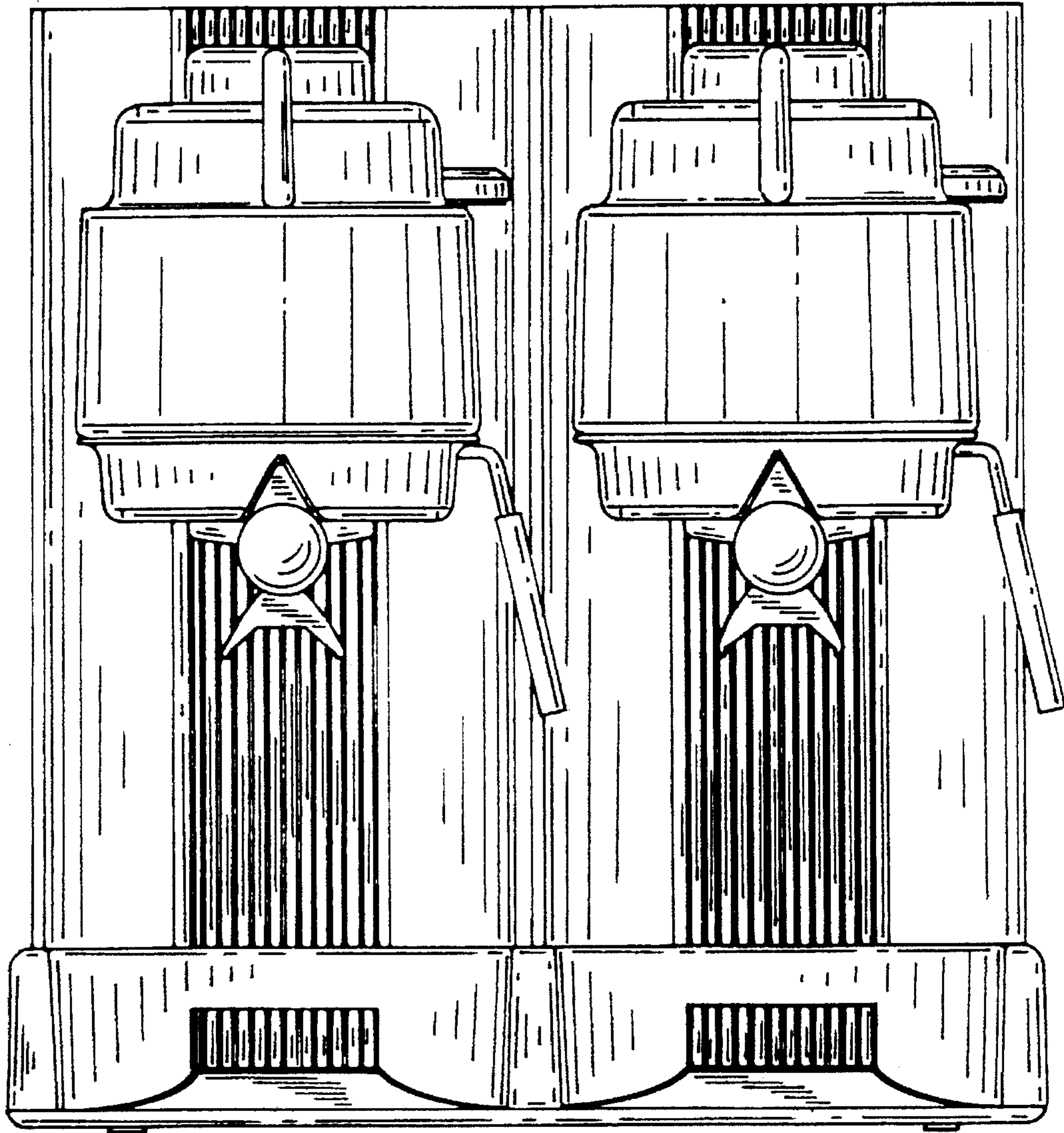


Fig. 7

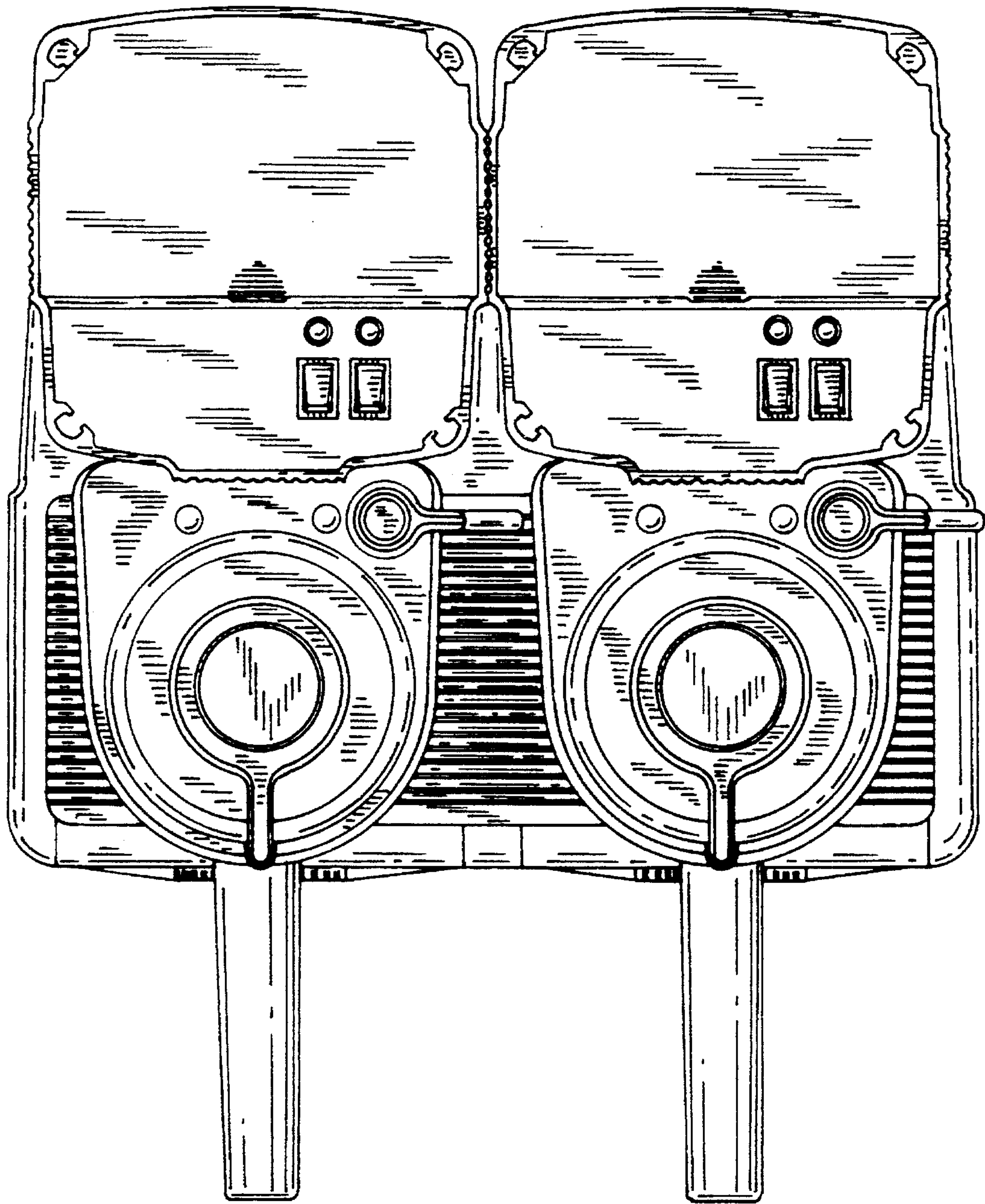


Fig. 8

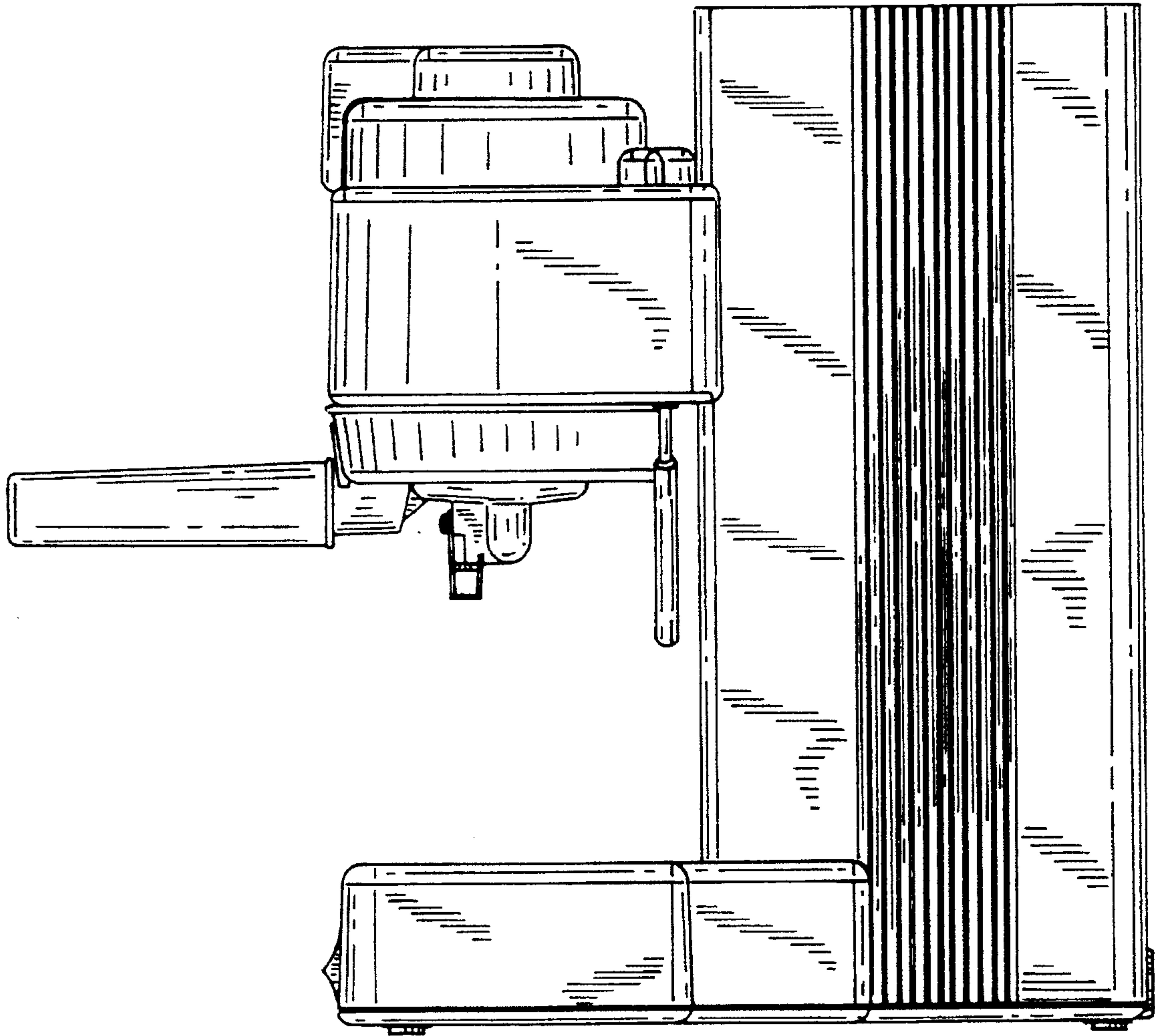


Fig. 9

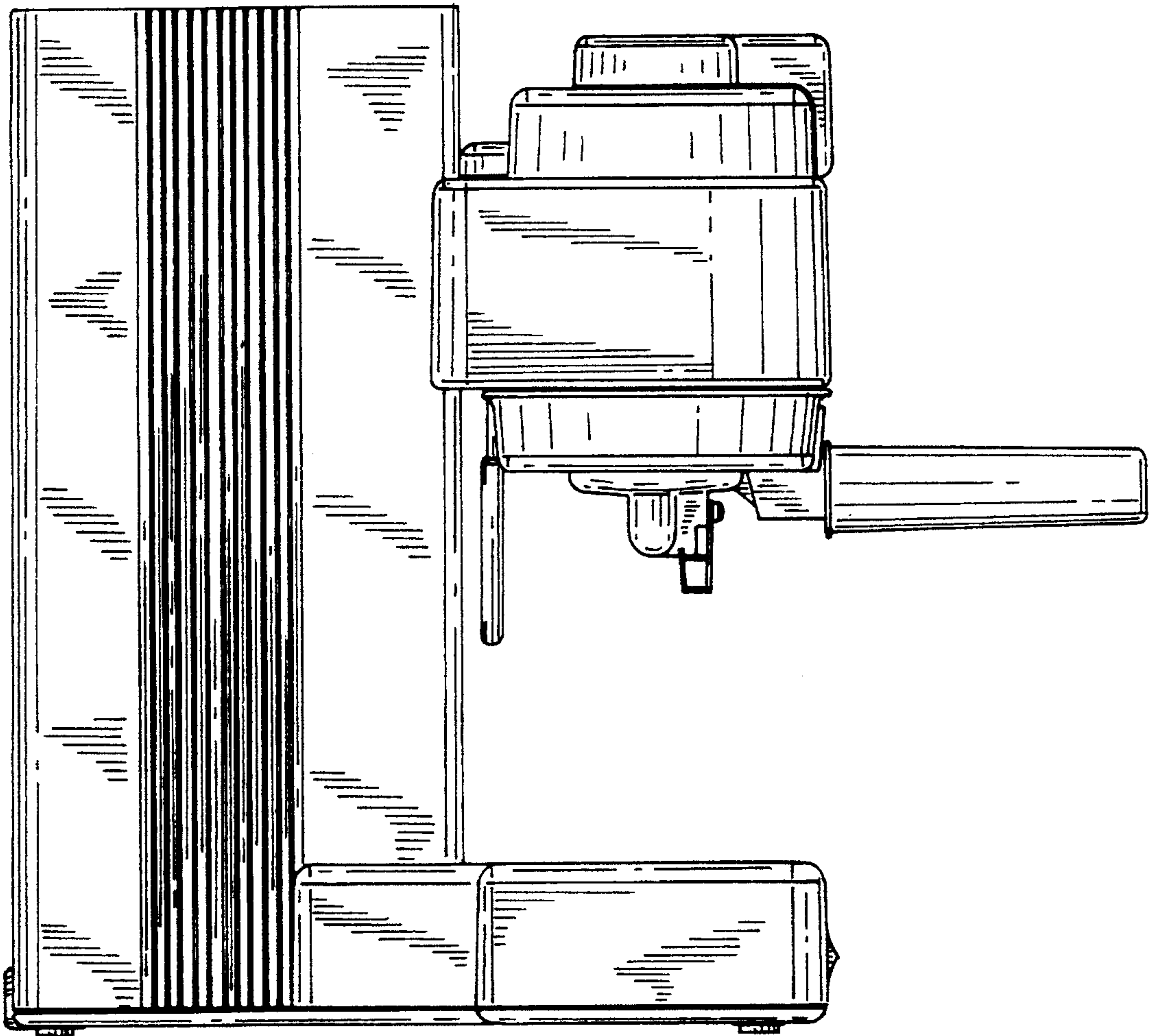


Fig.10

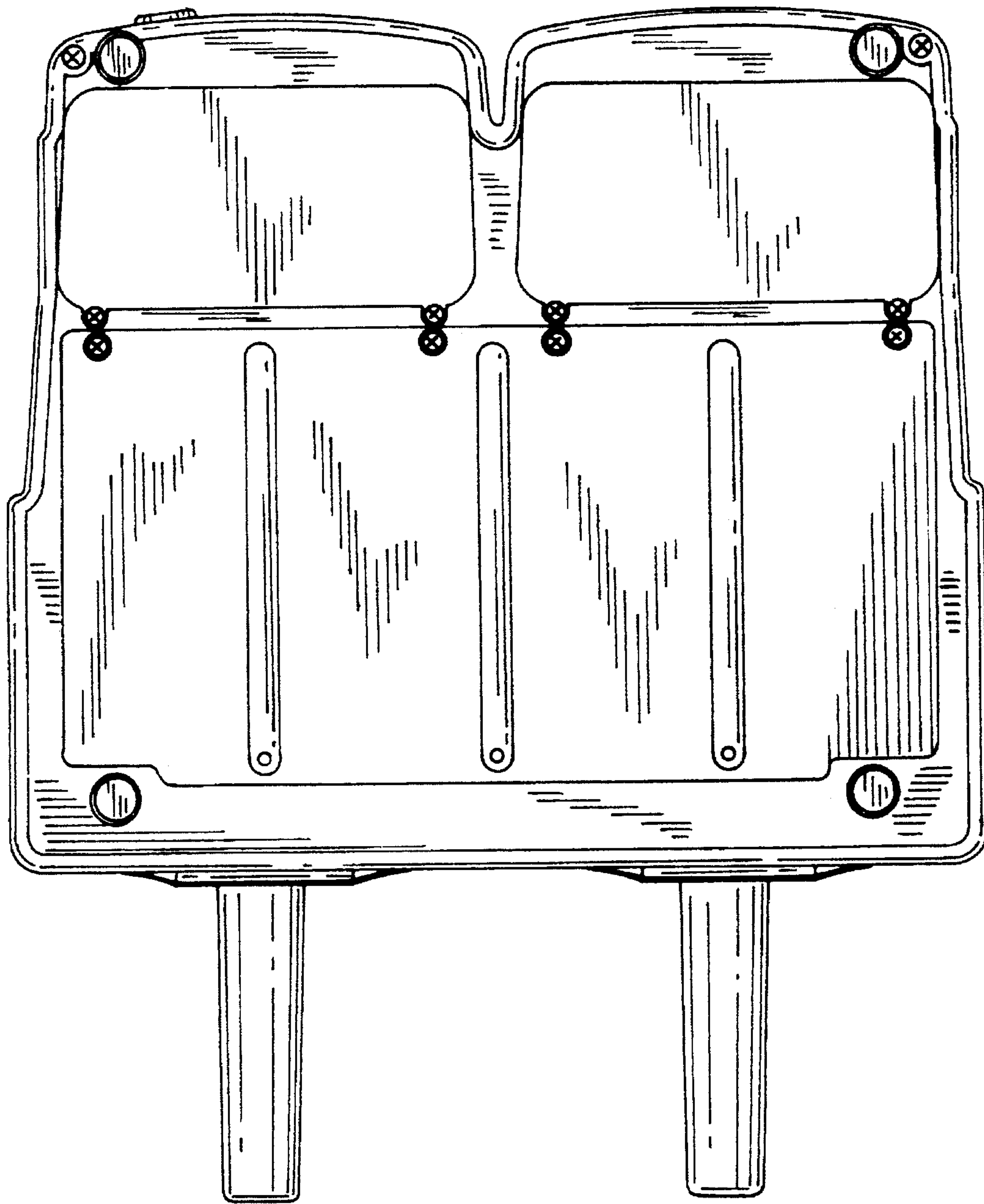


Fig. 11

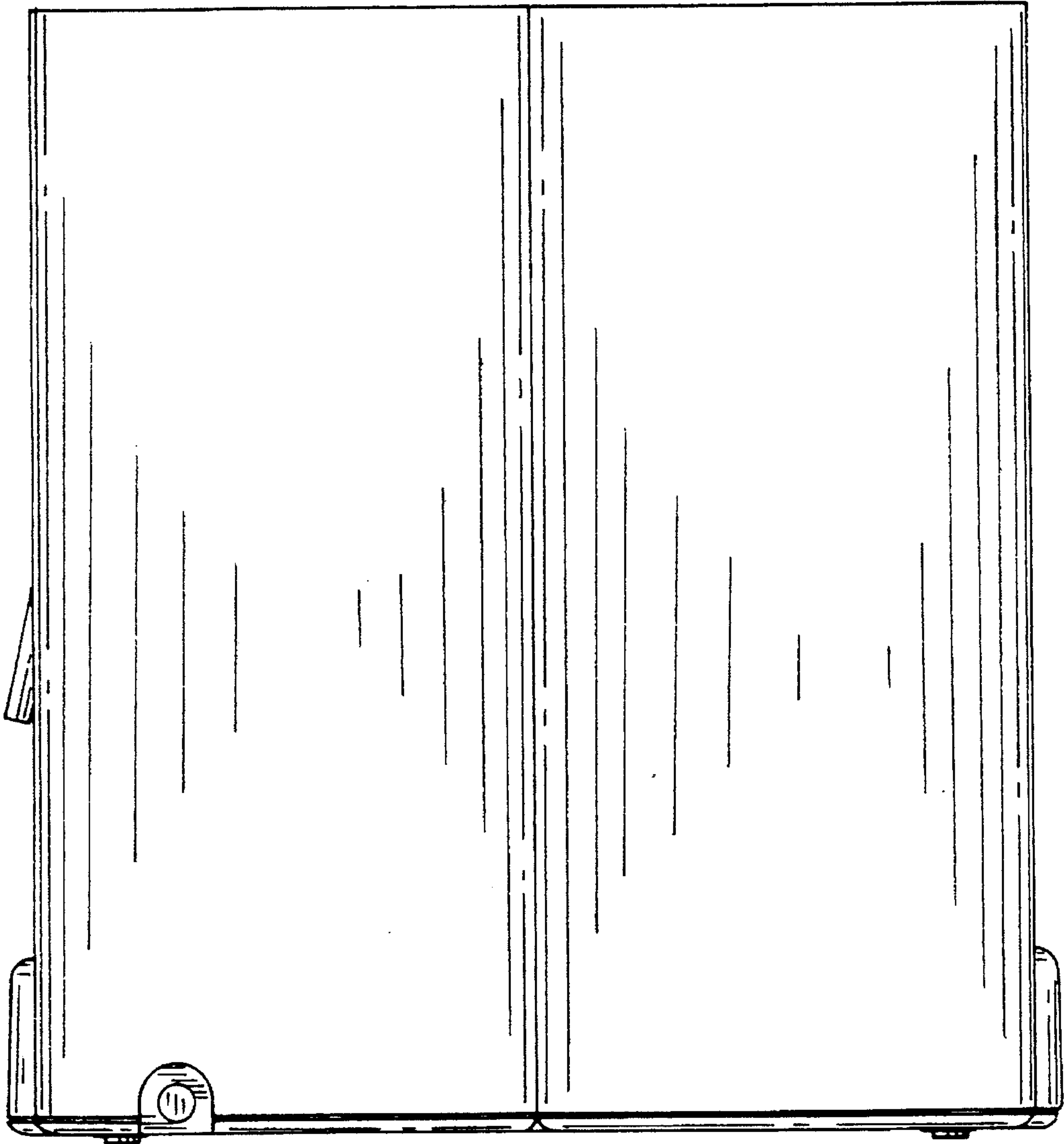


Fig.12