



US00D365955S

United States Patent [19]

[11] Patent Number: **Des. 365,955**

Fimbres

[45] Date of Patent: ****Jan. 9, 1996**

[54] **ILLUMINATED VALANCE**

Assistant Examiner—Gary D. Watson
Attorney, Agent, or Firm—Price, Gess & Ubell

[76] Inventor: **Ralph Fimbres**, 36505 Florida, Hemet, Calif. 92545

[**] Term: **14 Years**

[57] **CLAIM**

The ornamental design for a illuminated valance, as shown and described.

[21] Appl. No.: **28,517**

[22] Filed: **Sep. 16, 1994**

[52] U.S. Cl. **D6/579**

[58] Field of Search D6/579; D26/51; 160/19; 362/151

DESCRIPTION

[56] **References Cited**

U.S. PATENT DOCUMENTS

| | | | | |
|------------|---------|----------------|-------|----------|
| D. 318,592 | 7/1991 | Byrne | | D6/579 |
| 2,564,865 | 8/1951 | Turner et al. | | 160 X/19 |
| 2,662,163 | 12/1953 | Mollner | | 362/151 |
| 2,708,711 | 5/1955 | McGinty et al. | | 362/151 |

FIG. 1 is a front perspective view of the illuminated valance of the present invention;

FIG. 2 is a bottom plan view of the illuminated valance of FIG. 1;

FIG. 3 is a rear elevational view of the illuminated valance of FIG. 1; and

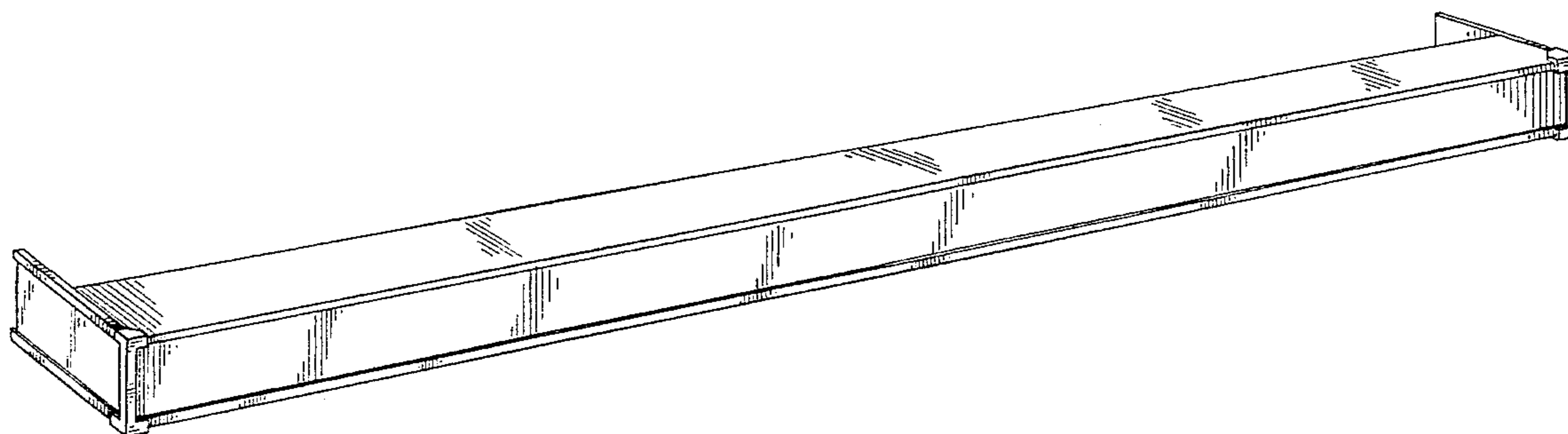
FIG. 4 is a rear perspective view of an alternative embodiment of the illuminated valance of the present invention.

OTHER PUBLICATIONS

Montgomery Ward, Spring & Summer 1955, p. 469, Valance "E" at top right.

Primary Examiner—Alan P. Douglas

1 Claim, 1 Drawing Sheet



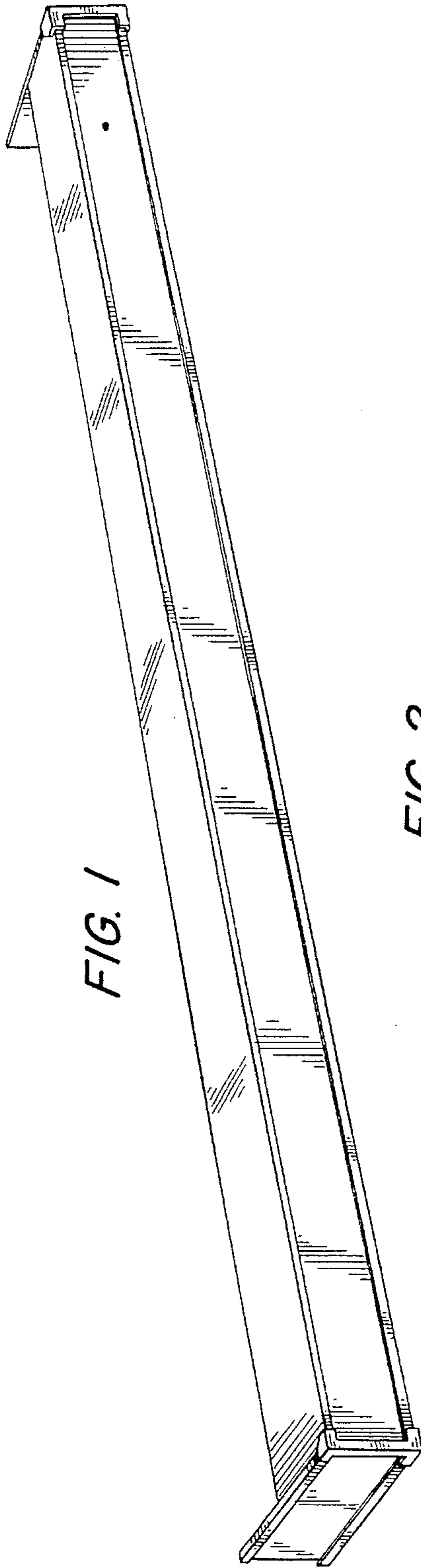


FIG. 2

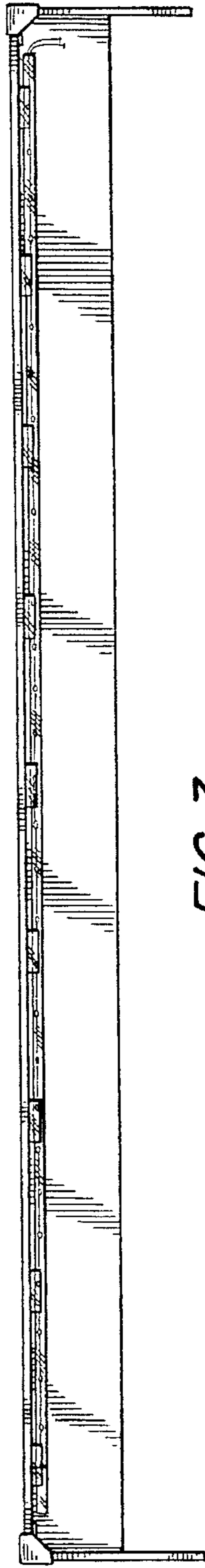


FIG. 3

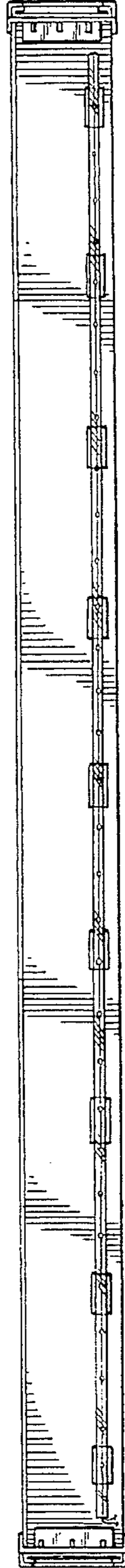


FIG. 4

