



US00D365951S

United States Patent [19]
Walters, III

[11] **Patent Number: Des. 365,951**
[45] **Date of Patent: **Jan. 9, 1996**

[54] **TV CANOPY**
[75] **Inventor: Guy A. Walters, III, High Point, N.C.**
[73] **Assignee: Thomasville Furniture Industries, Inc., Thomasville, N.C.**
[**] **Term: 14 Years**

4,939,582	7/1990	Holdredge et al.	358/254
4,993,676	2/1991	Fitts et al.	312/245 X
5,009,379	4/1991	Sadler	248/174
5,054,139	10/1991	Jones	5/2.1
5,064,161	11/1991	Anderson	248/317
5,073,825	12/1991	Holdredge	358/254
5,165,126	11/1992	Jones	5/414
5,206,733	4/1993	Holdredge et al.	358/254

[21] **Appl. No.: 17,214**
[22] **Filed: Jan. 7, 1994**
[52] **U.S. Cl. D6/513**
[58] **Field of Search D6/512-514; D8/349, D8/373; D14/125, 239; 211/113, 115; 312/245, 246, 7.2, 242; 248/317, 917, 922**

Primary Examiner—Brian N. Vinson
Attorney, Agent, or Firm—Rhodes, Coats & Bennett

[57] **CLAIM**

The ornamental design for a TV canopy, as shown and described.

DESCRIPTION

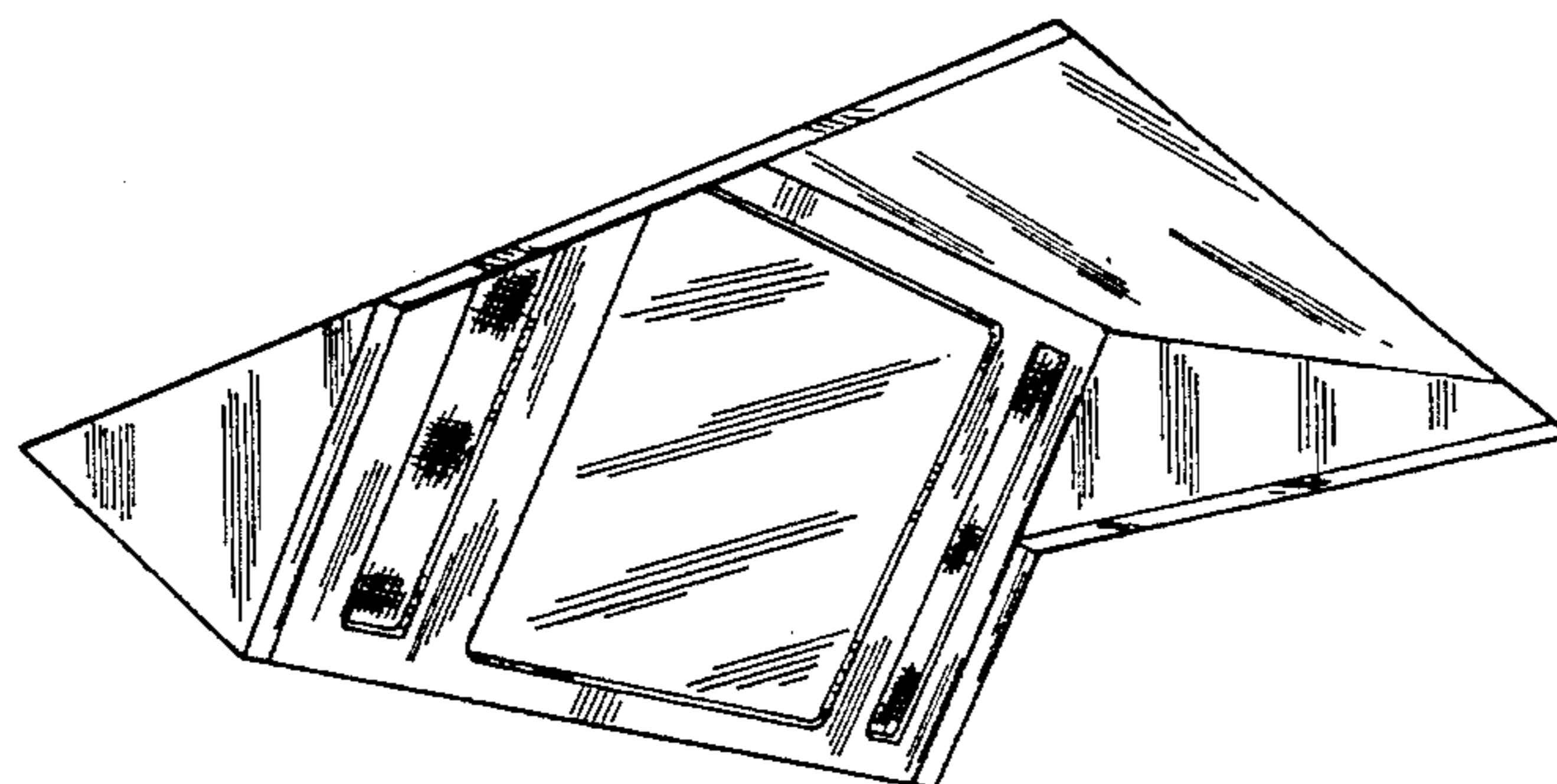
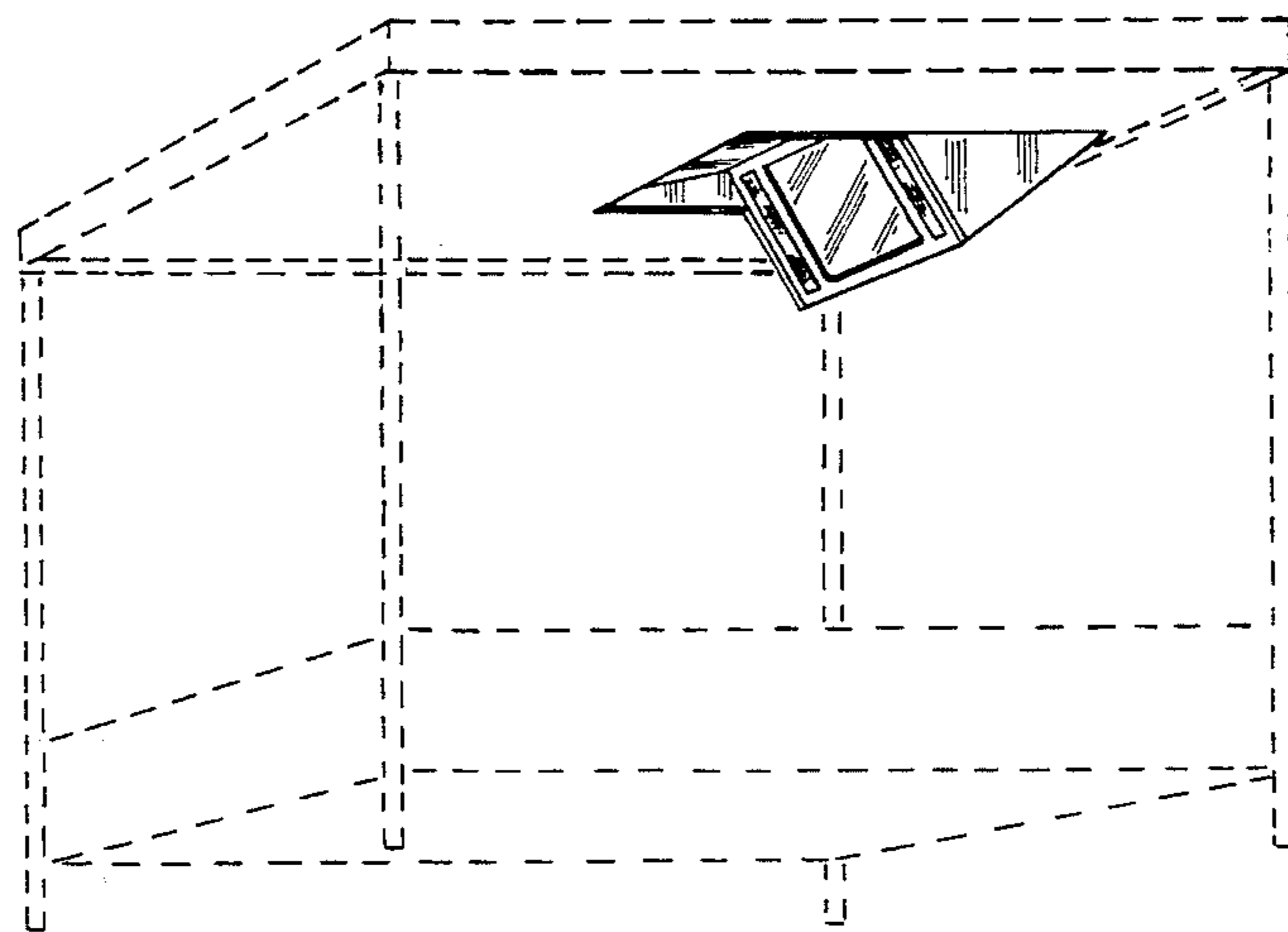
FIG. 1 is a top, bottom, front, and right side perspective view of a TV canopy showing my new design;
FIG. 2 is a front elevational view thereof.
FIG. 3 is a rear elevational view thereof;
FIG. 4 is a right side elevational view thereof, the left side being a mirror image of that shown; and,
FIG. 5 is an enlarged bottom, front, and left side perspective view thereof.

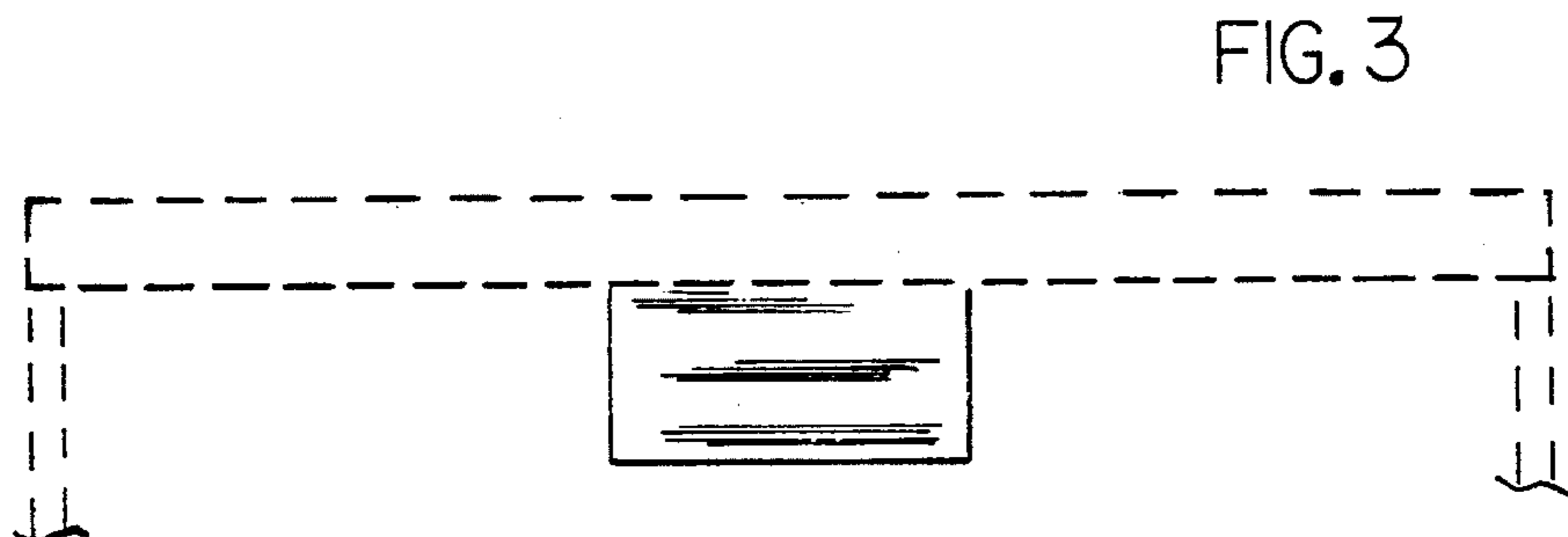
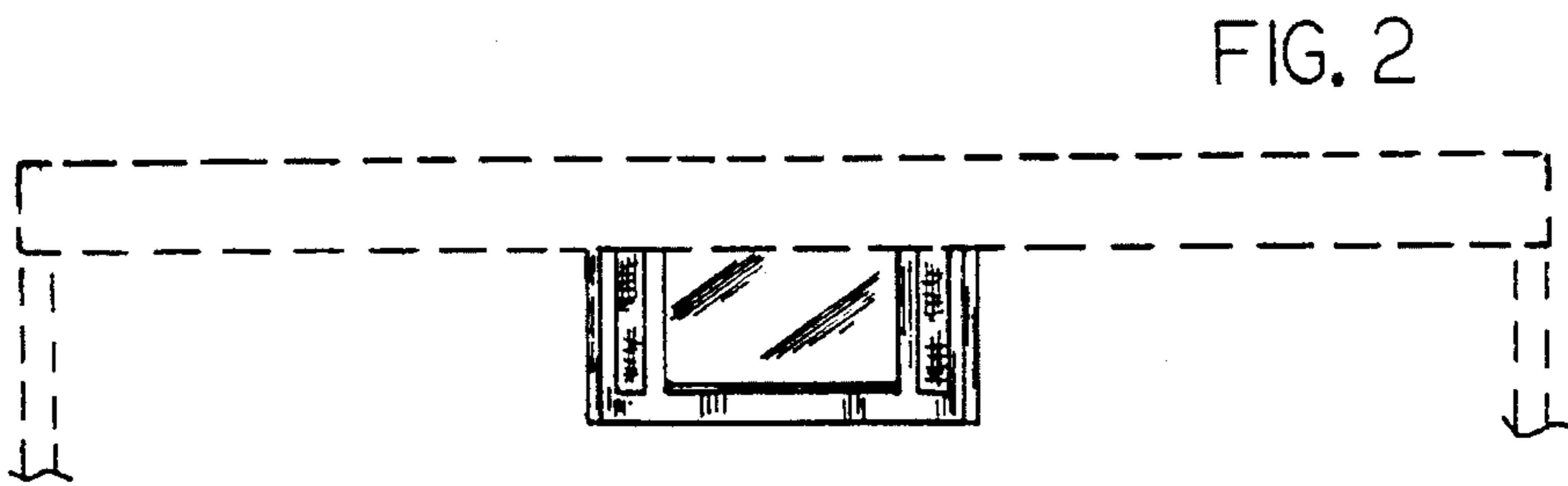
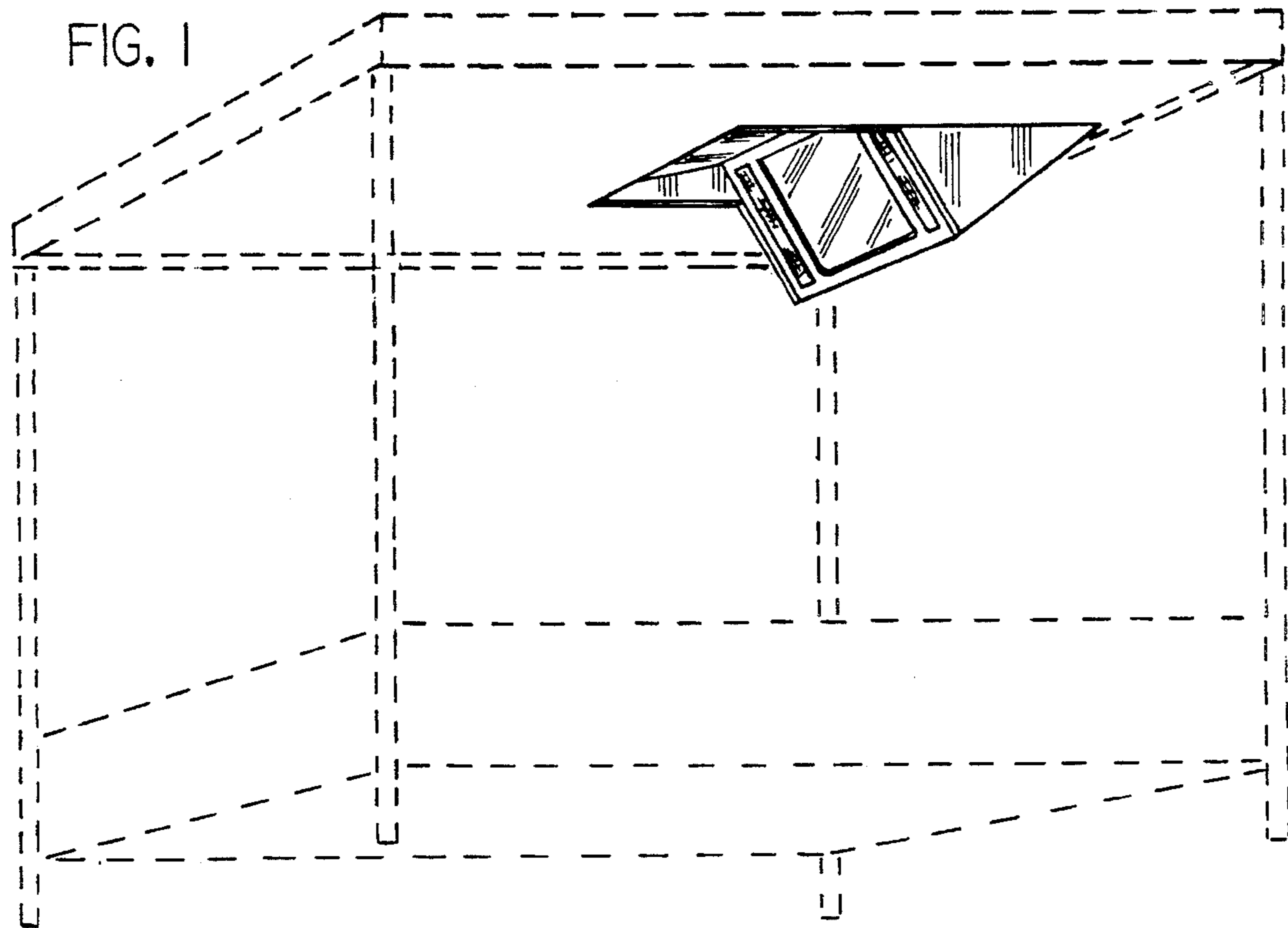
The broken-line disclosure of a bed and portions thereof in the views is for illustrative purposes only and forms no part of the claimed design.

[56] **References Cited**
U.S. PATENT DOCUMENTS

D. 314,483	2/1991	Zimpreide et al.	D6/513
D. 332,715	1/1993	Sedighzadeh et al.	D6/513
D. 333,061	2/1993	Sedighzadeh et al.	D6/513
D. 333,398	2/1993	Sedighzadeh et al.	D6/513
3,608,101	9/1971	Castro et al.	5/2
4,395,785	8/1983	Huh	5/2
4,410,158	10/1983	Maffei	248/214
4,505,078	3/1985	Huh	52/36
4,594,817	6/1986	McLaren et al.	52/34
4,607,401	8/1986	Sisson	5/414
4,829,725	5/1989	Gustaveson et al.	52/39
4,903,353	2/1990	Park	5/2

1 Claim, 2 Drawing Sheets





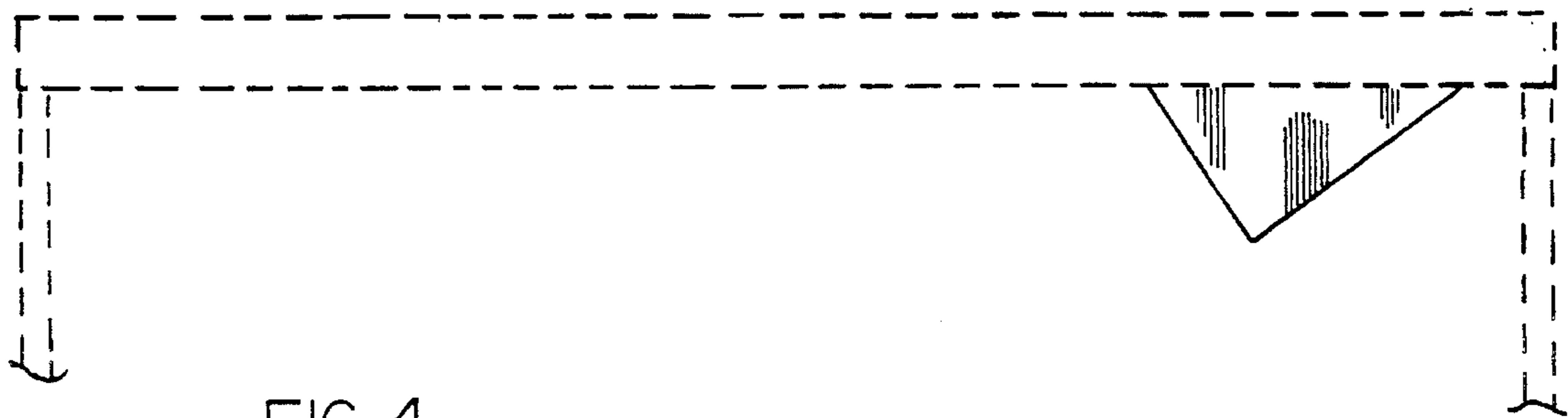


FIG. 4

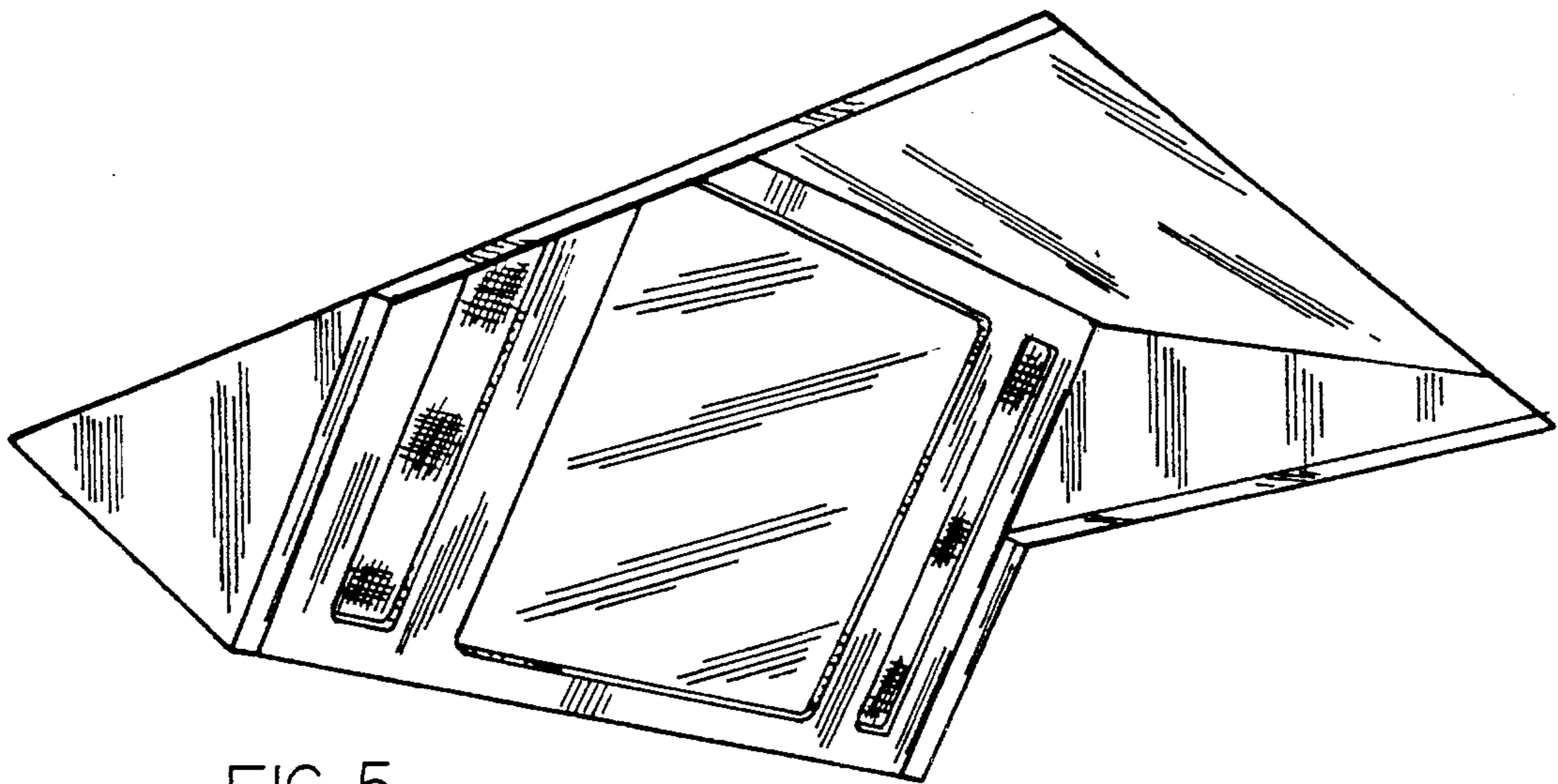


FIG. 5