



US00D365948S

United States Patent [19]

[11] Patent Number: **Des. 365,948**

Borden

[45] Date of Patent: ****Jan. 9, 1996**

[54] **FOOTBALL DISPLAY CASE**

Attorney, Agent, or Firm—Wells, St. John, Roberts, Gregory & Matkin

[76] Inventor: **Daniel B. Borden**, S. 1816 Fawn Dr.,
Spokane, Wash. 99206

[57] **CLAIM**

[**] Term: **14 Years**

The ornamental design for a football display case, as shown and described.

[21] Appl. No.: **34,104**

DESCRIPTION

[22] Filed: **Jan. 27, 1995**

[52] U.S. Cl. **D6/470**

[58] Field of Search D6/434, 470, 472;
206/315.9; 211/14; D21/206, 208, 209

FIG. 1 is a perspective view of the football display case;
FIG. 2 is a perspective view with the cover removed;
FIG. 3 is a front elevation view, the rear elevation view being identical. The broken line disclosure of the football is for illustrative purposes only and does not form any part of the claimed design;

[56] **References Cited**

U.S. PATENT DOCUMENTS

D. 212,266	9/1968	Robinson	D6/466
3,231,993	2/1966	Levy	211/14 X
5,377,829	1/1995	Bahl	206/315.9

FIG. 4 is a top view; and,
FIG. 5 is an end view, both ends being identical.

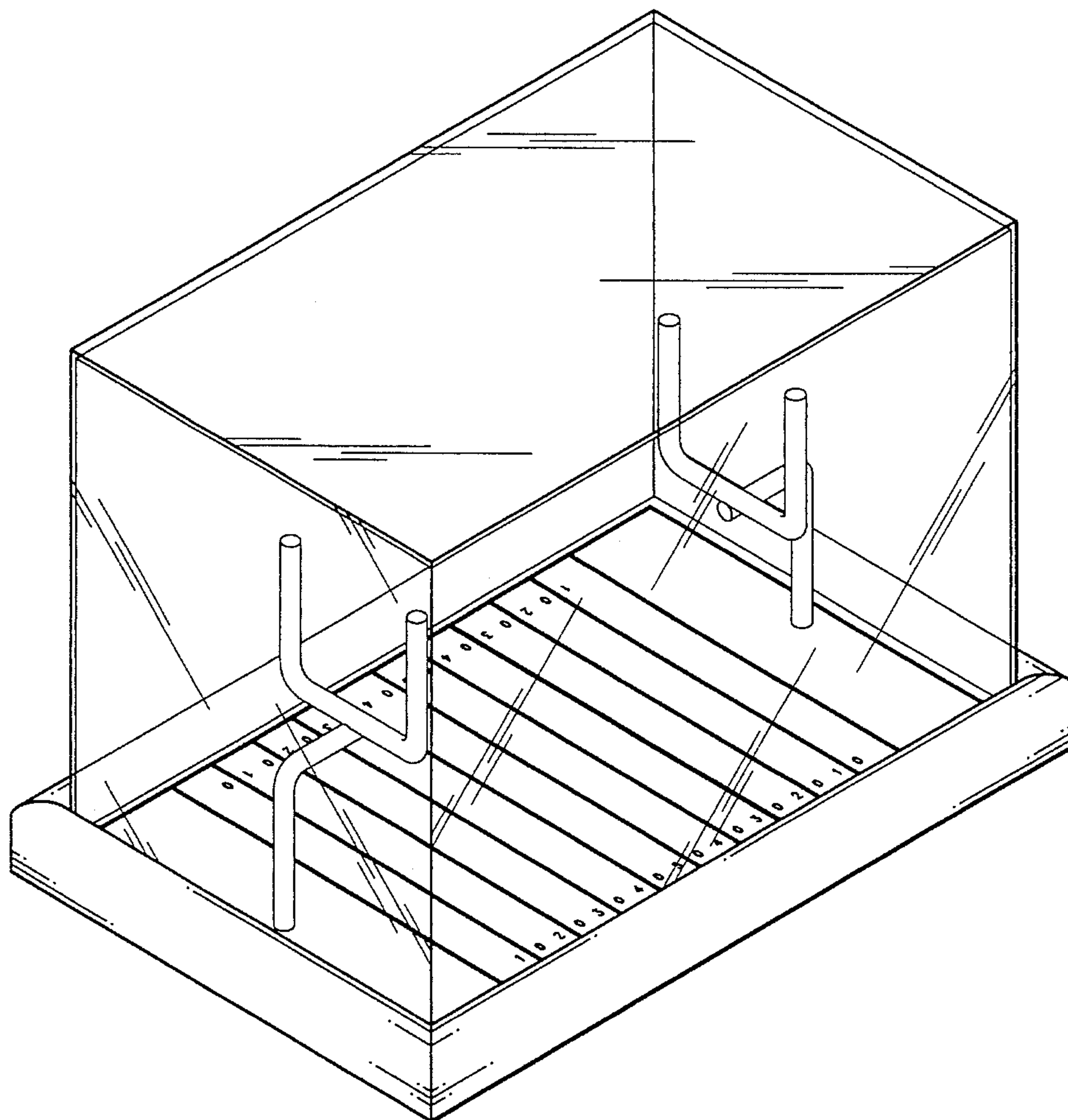
OTHER PUBLICATIONS

The bottom of the illustrated football display case is planar and unornamented.

Football Field Inlaid In Table.

Primary Examiner—Alan P. Douglas
Assistant Examiner—S. Snapp

1 Claim, 5 Drawing Sheets



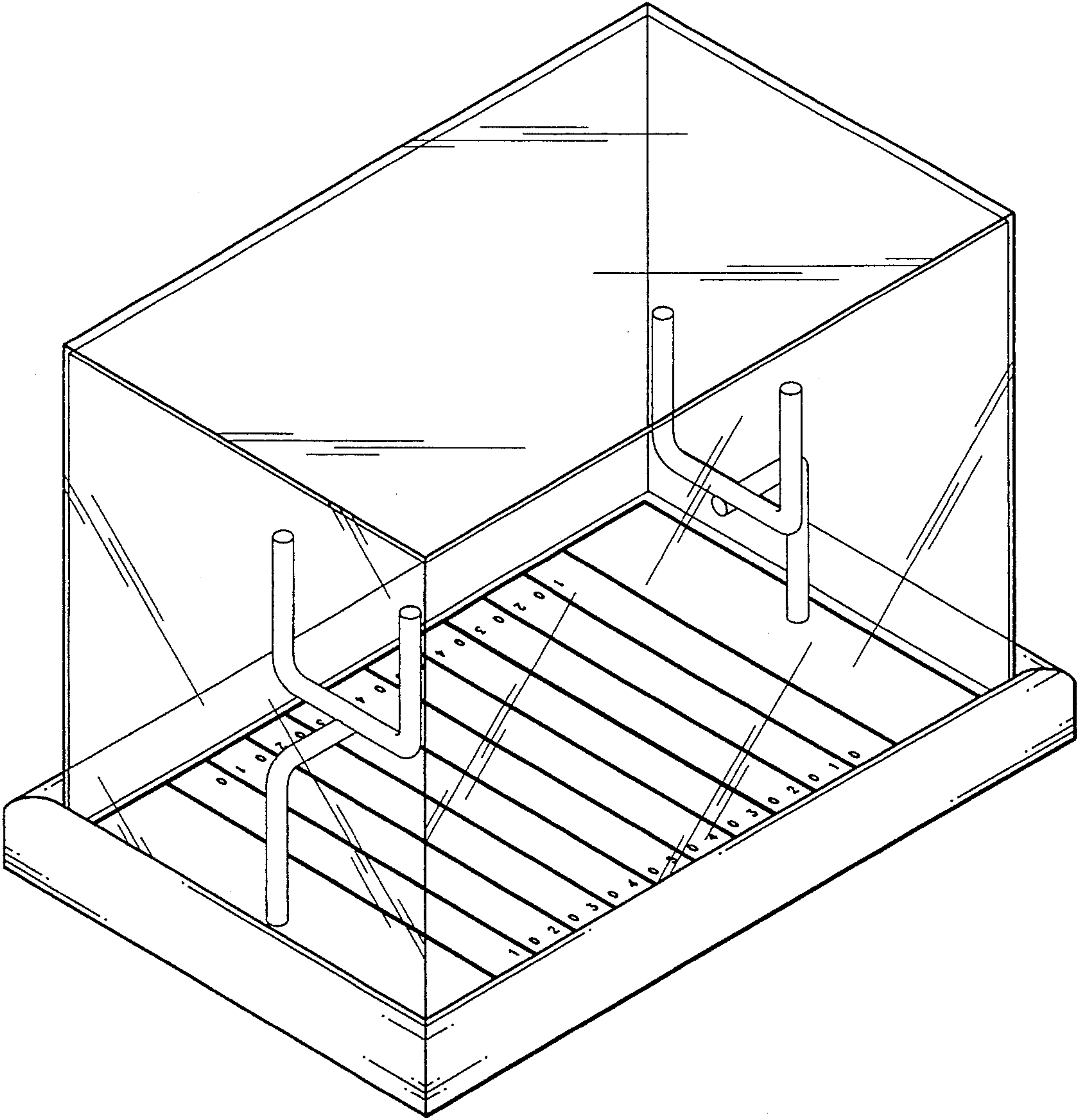


FIG. 1

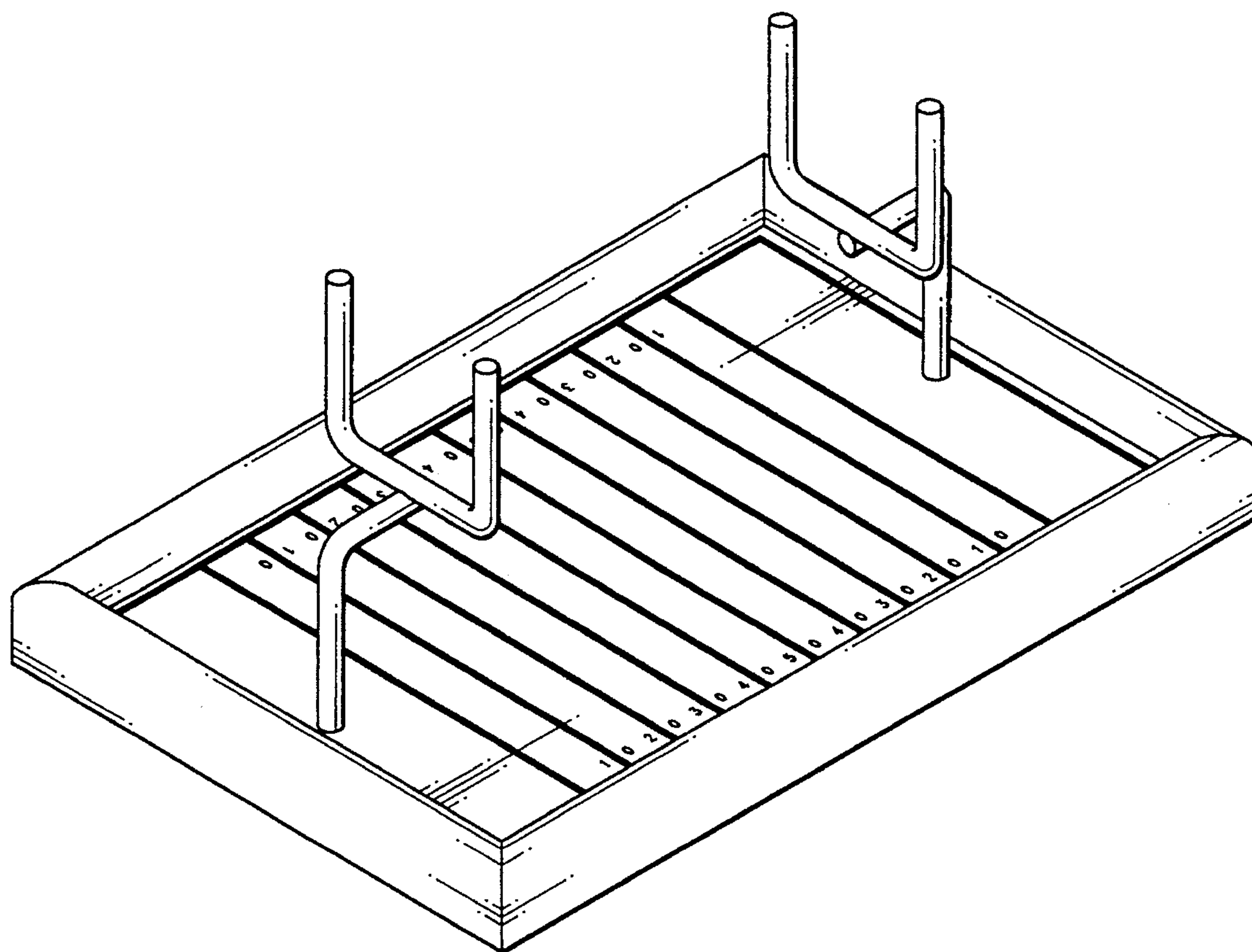


FIG. 2

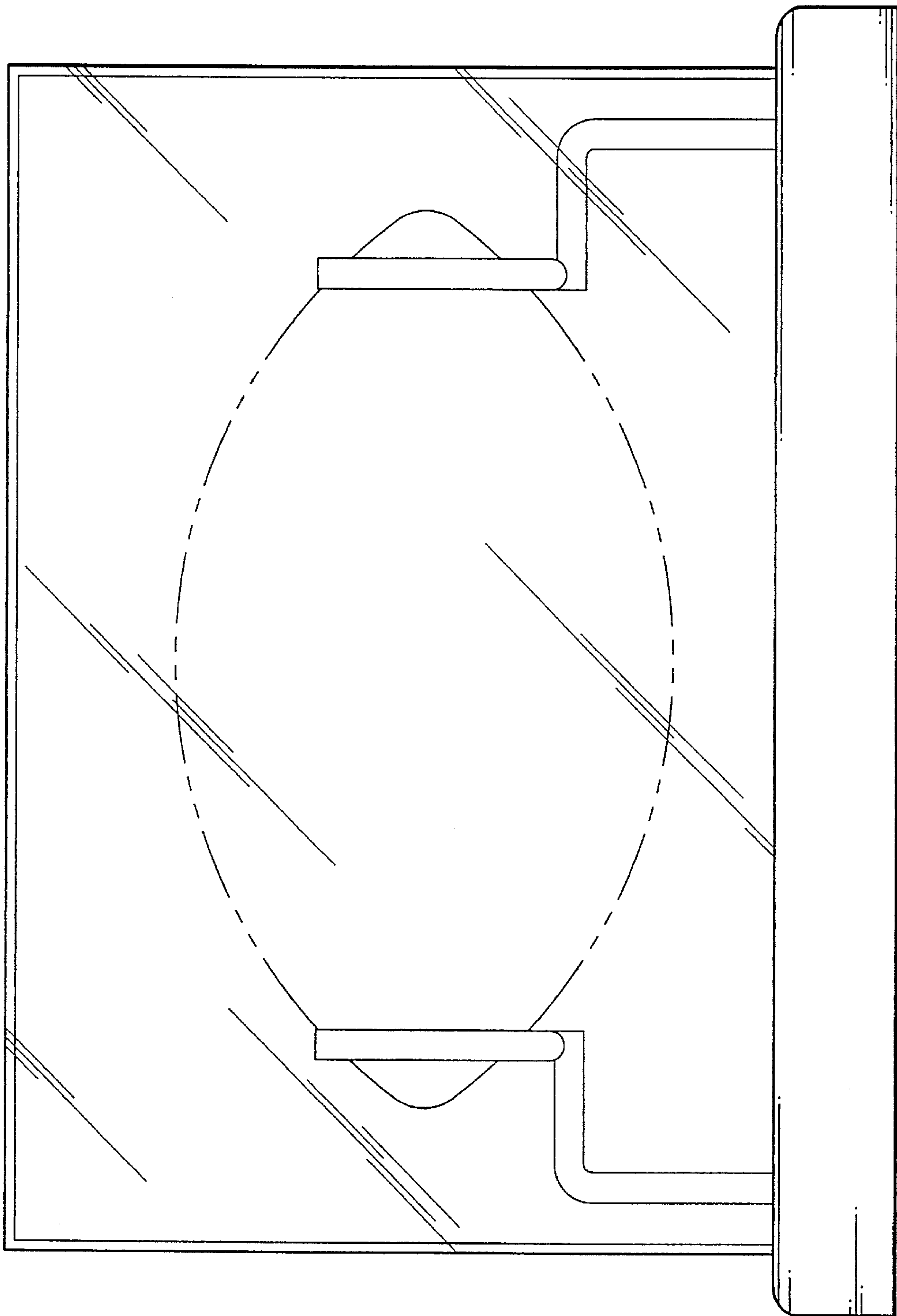


FIG. 3

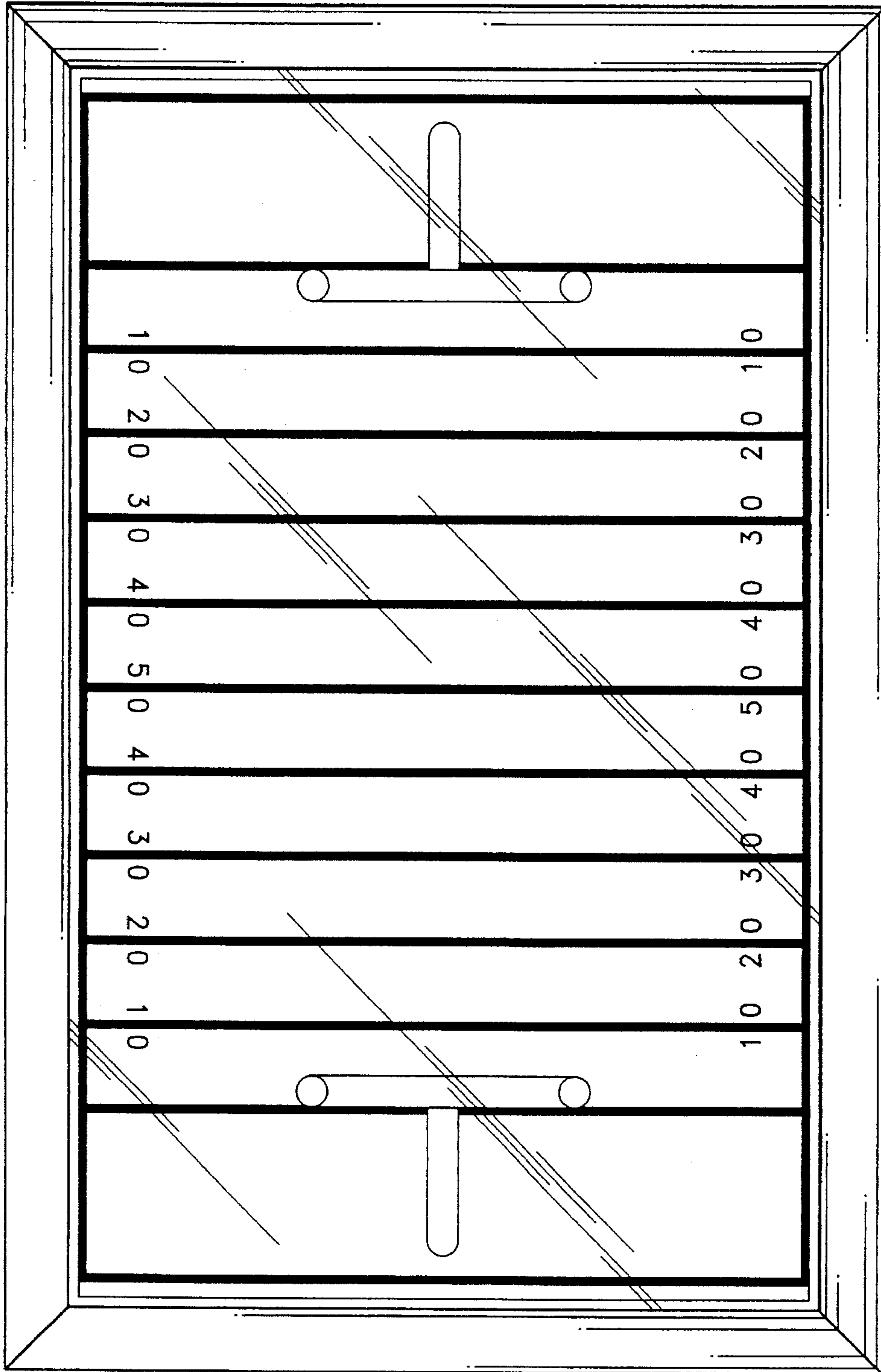


FIG. 4

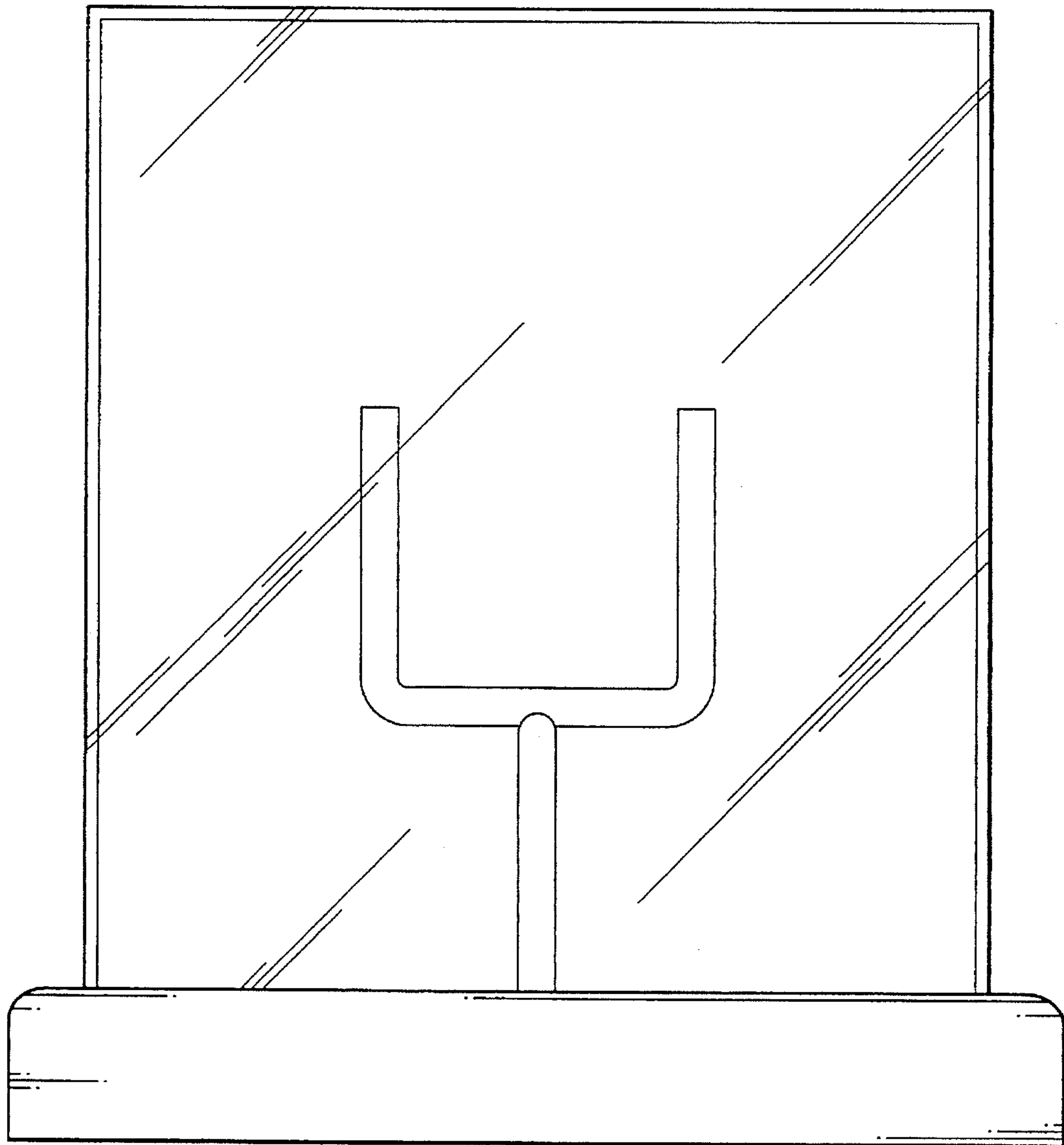


FIG. 5