



US00D365944S

United States Patent [19]

Lechleiter et al.

[11] Patent Number: **Des. 365,944**

[45] Date of Patent: ****Jan. 9, 1996**

[54] **CABINET COUNTER**

[75] Inventors: **Paul R. Lechleiter, Powell; Mark B. Artus, Beechwold, both of Ohio**

[73] Assignee: **Blockbuster Entertainment Corp., Ft. Lauderdale, Fla.**

[**] Term: **14 Years**

[21] Appl. No.: **27,750**

[22] Filed: **Aug. 29, 1994**

[52] U.S. Cl. **D6/397; D6/332; D6/445; D6/446**

[58] Field of Search **D6/432-448, 396, D6/397, 332, 481; D20/10, 18, 19, 29, 34, 40, 41; D25/58, 59, 60; D24/234; 312/114, 140.1, 140.2, 7.2, 9.1, 140.3**

[56] **References Cited**

U.S. PATENT DOCUMENTS

- D. 250,868 1/1979 Ormatek D6/445
- D. 264,781 6/1982 Azzalin D6/446

- D. 279,125 6/1985 Newman D6/432 X
- D. 286,108 10/1986 Hanlon D6/332 X
- D. 288,267 2/1987 Meyer D6/481
- D. 317,469 6/1991 Beaulieu D20/10
- D. 349,608 8/1994 Savoie D6/332

Primary Examiner—Carmen H. Vales-Lado
Attorney, Agent, or Firm—Akin, Gump, Strauss, Hauer & Feld

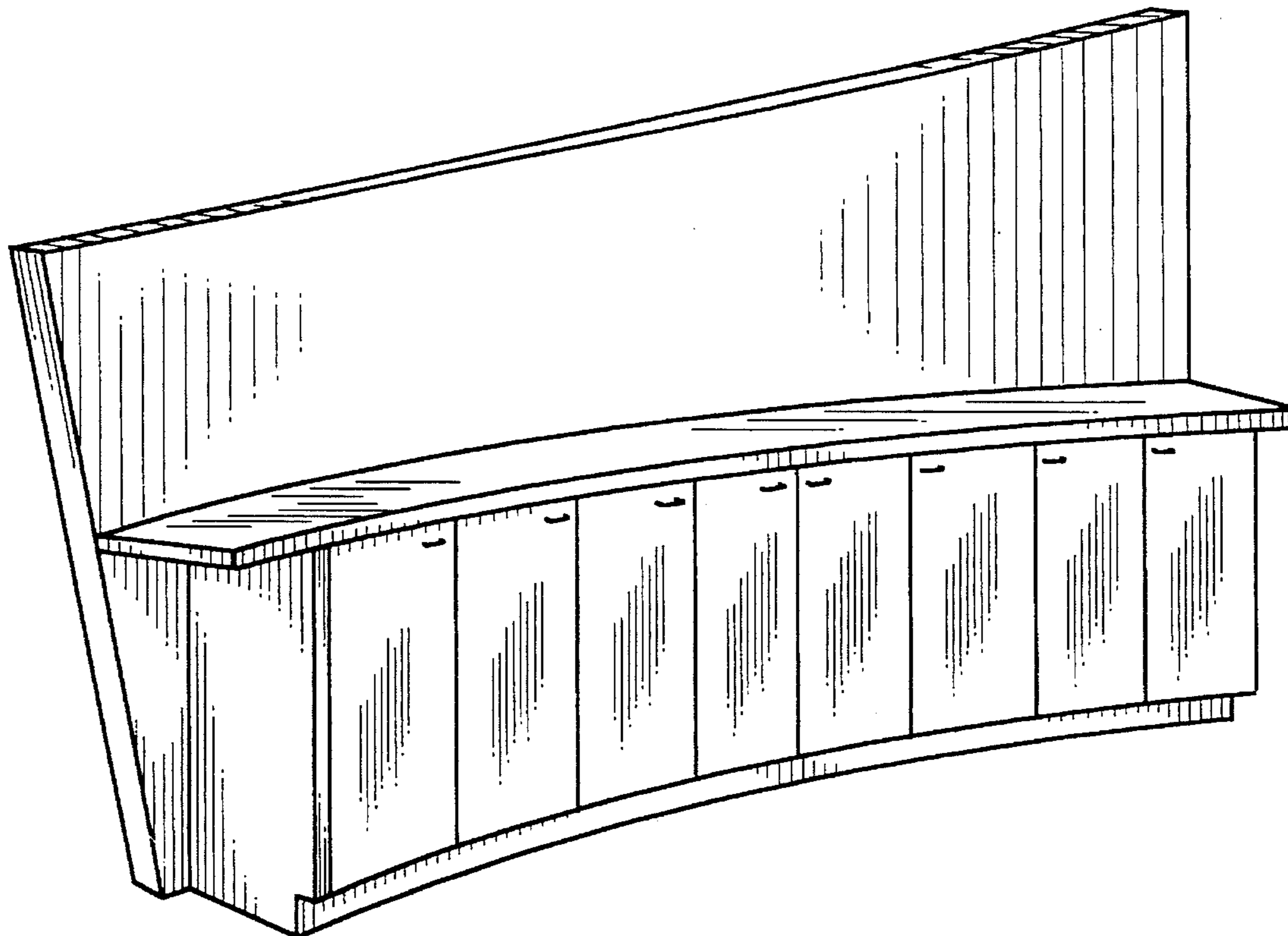
[57] **CLAIM**

The ornamental design for a cabinet counter, as shown and described.

DESCRIPTION

FIG. 1 is a perspective view of a cabinet counter showing our new design;
FIG. 2 is a top plan view thereof;
FIG. 3 is a front elevational view thereof;
FIG. 4 is a left side elevational view thereof;
FIG. 5 is a right side elevational view thereof;
FIG. 6 is a rear elevational view thereof; and,
FIG. 7 is a bottom plan view thereof.

1 Claim, 3 Drawing Sheets



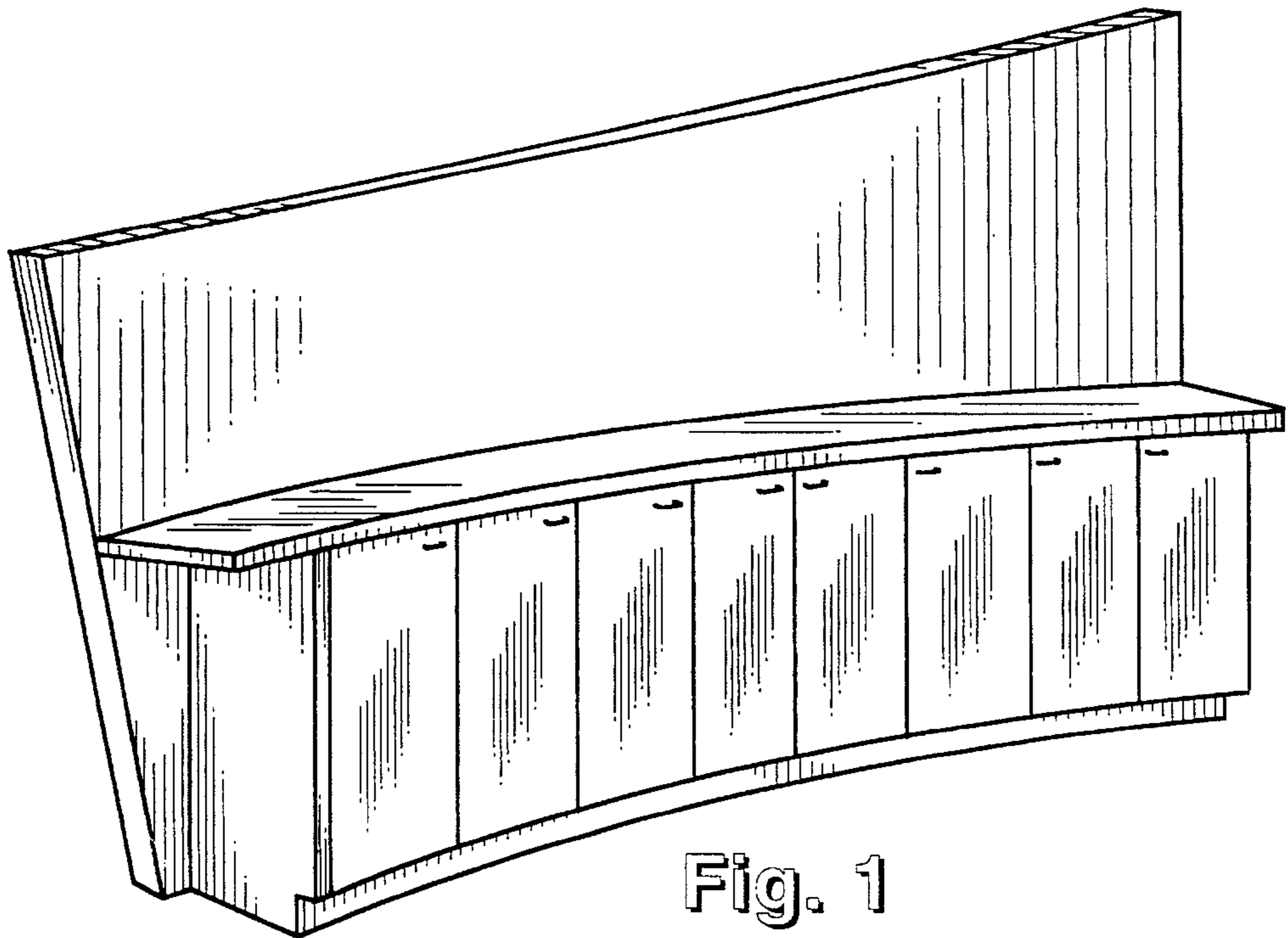


Fig. 1

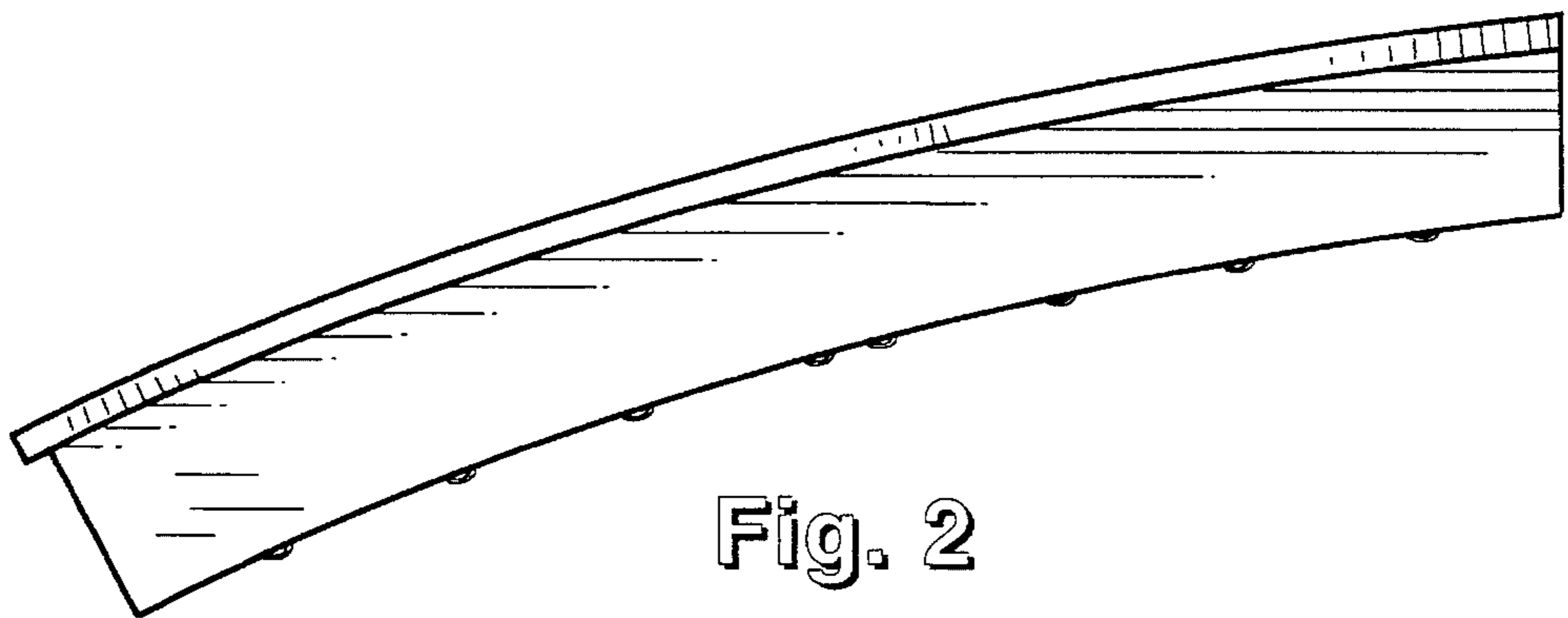


Fig. 2

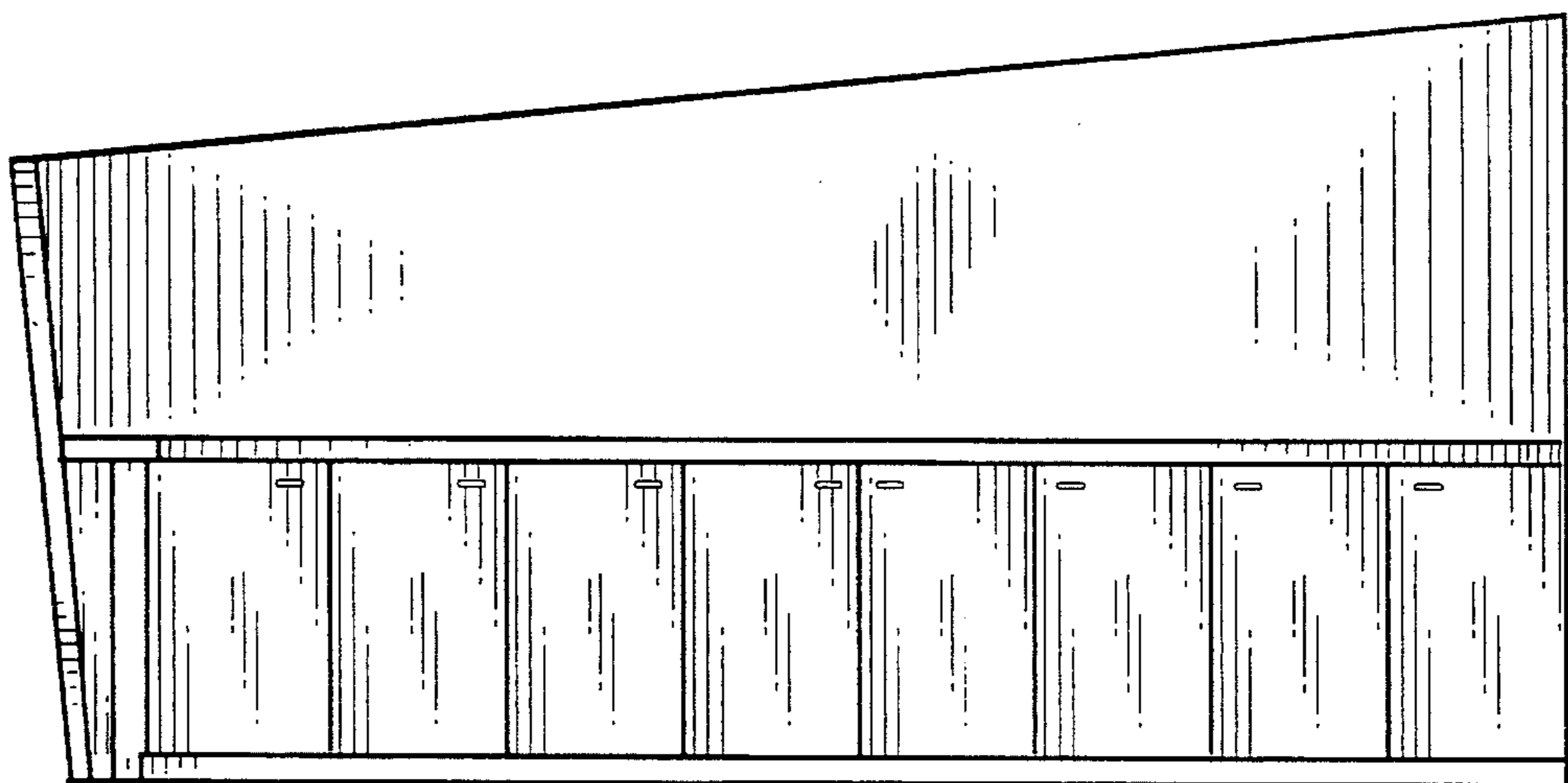


Fig. 3

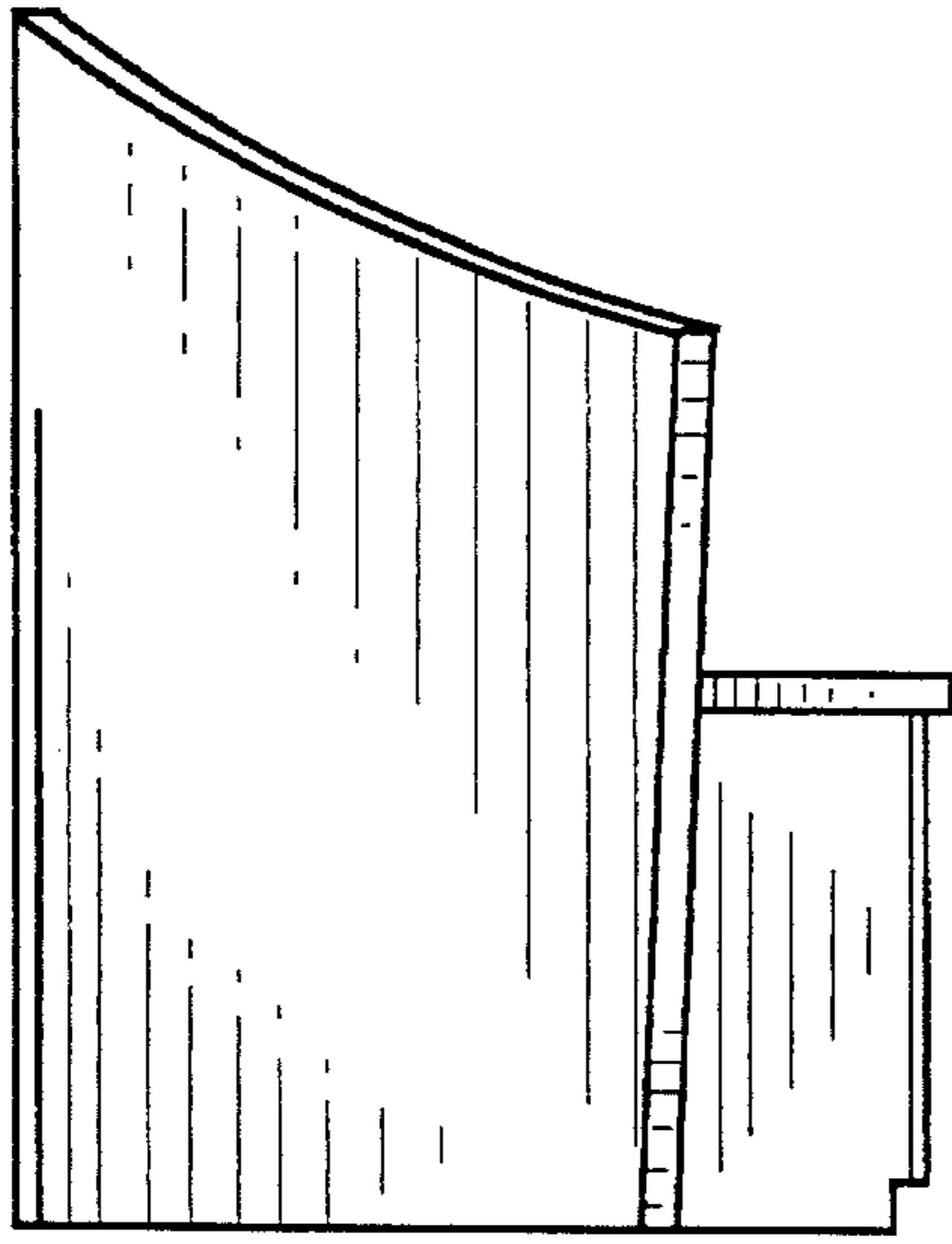


Fig. 4

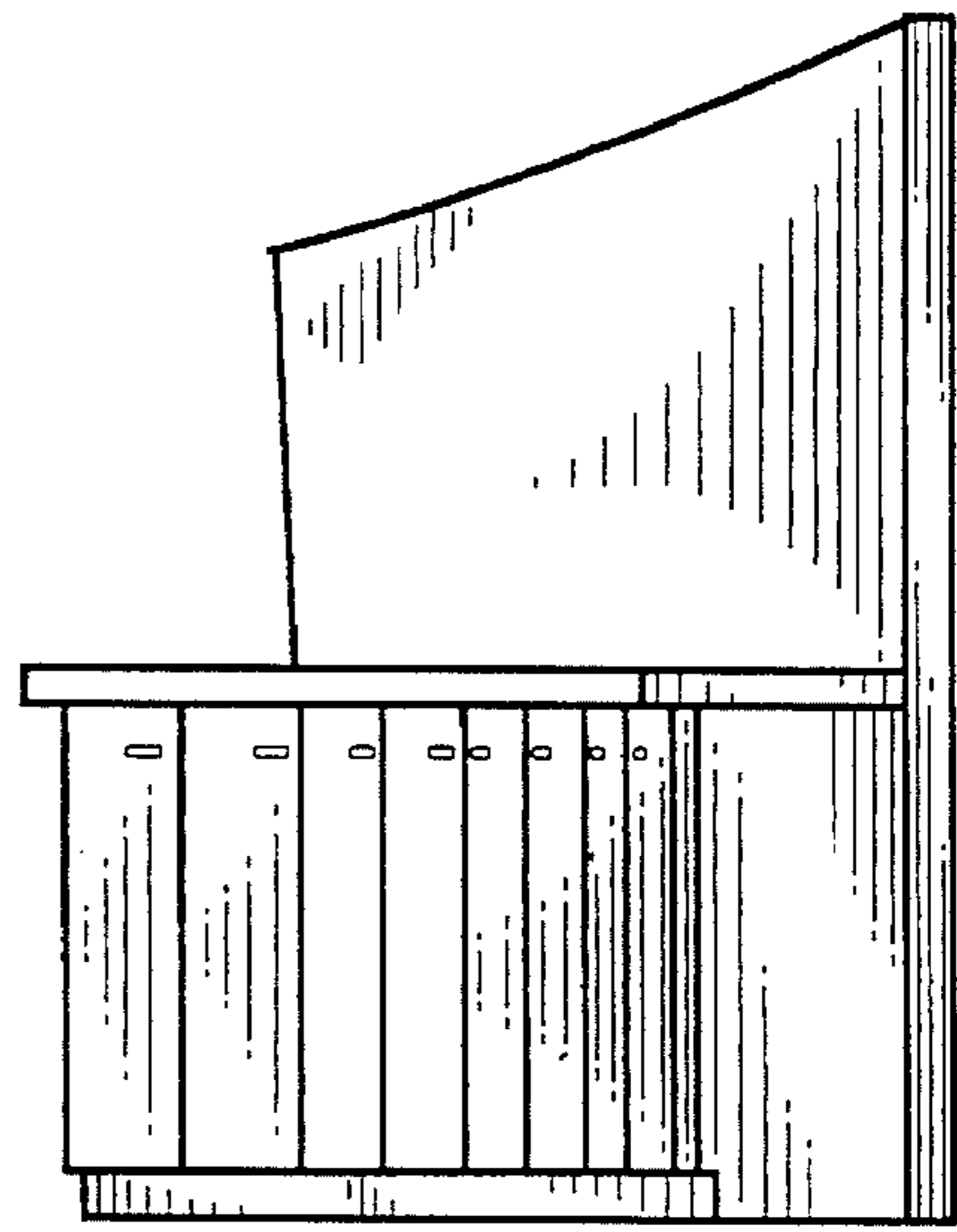


Fig. 5

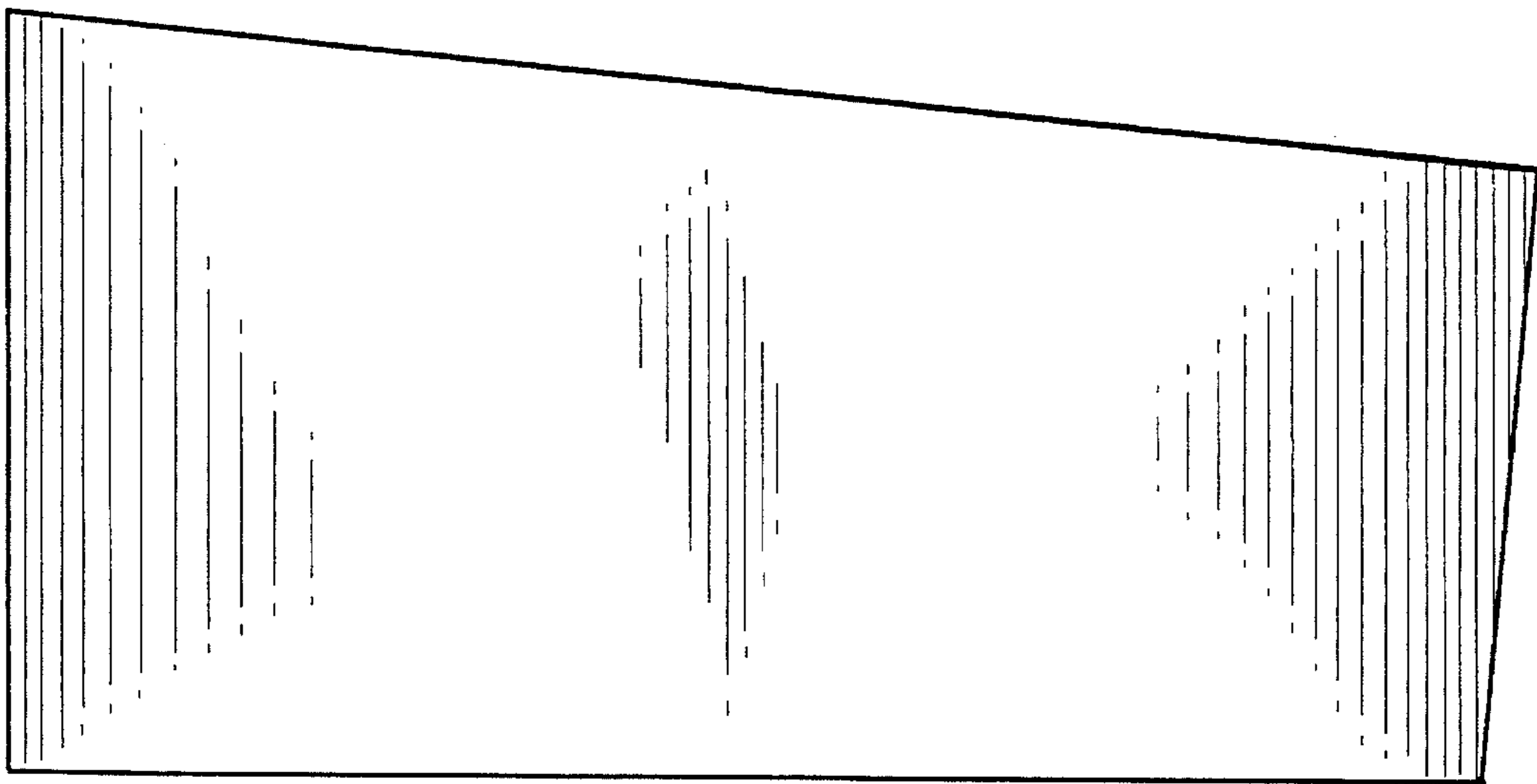


Fig. 6

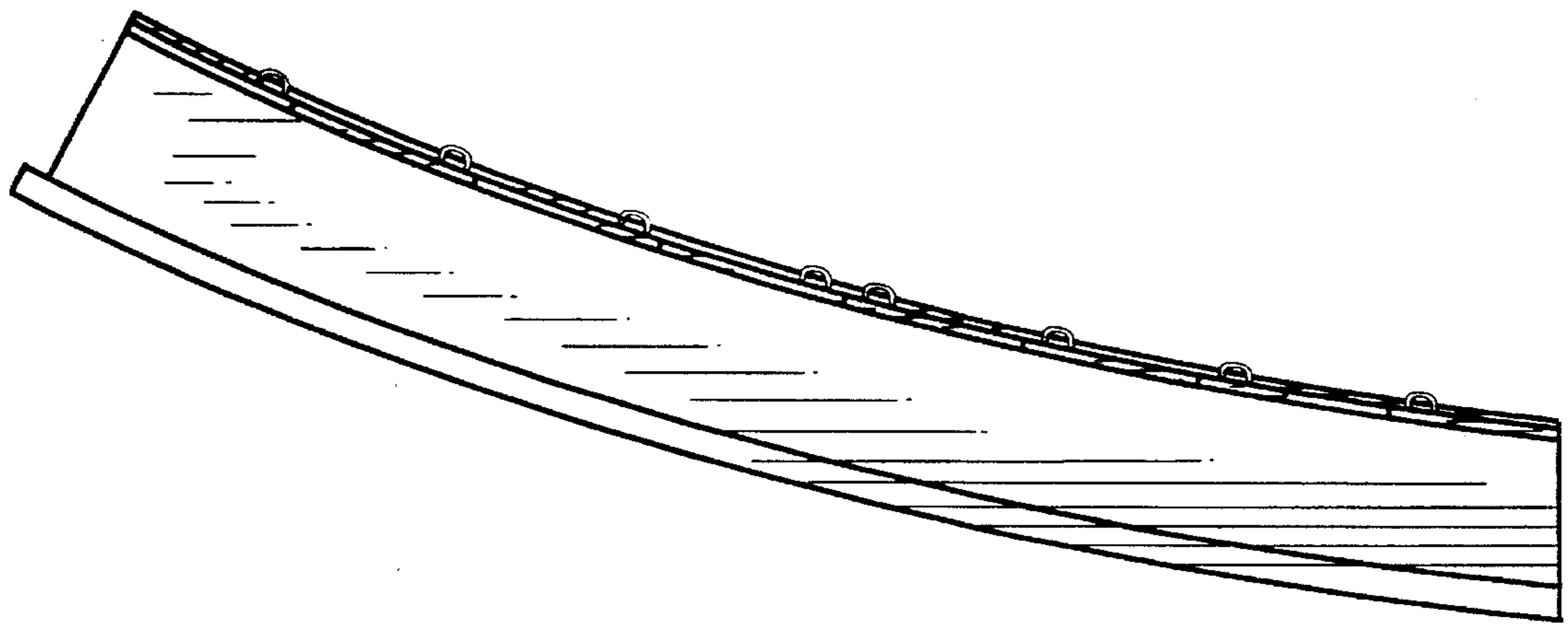


Fig. 7