



US00D365938S

United States Patent [19]

[11] Patent Number: **Des. 365,938**

Gilborn et al.

[45] Date of Patent: ****Jan. 9, 1996**

[54] **PLANK LOUNGER**

[76] Inventors: **Craig Gilborn**, P.O. Box 902, Dorset, Vt. 05251; **Eric Glesmann**, 9732 Starr Hill Rd., Remsen, N.Y. 13438

[**] Term: **14 Years**

[21] Appl. No.: **34,872**

[22] Filed: **Feb. 14, 1995**

[52] U.S. Cl. **D6/374; D6/335; D6/368**

[58] Field of Search **D6/334, 335, 368, D6/374, 375, 500, 501, 502; 297/55, 56, 440.13, 447**

[56] **References Cited**

U.S. PATENT DOCUMENTS

D. 134,806	1/1943	Brown et al.	D6/368
D. 165,776	1/1952	Nelson	D6/374
229,233	6/1880	Behr .	
D. 230,924	3/1974	Rashbam .	
D. 284,529	7/1986	Reed .	
1,949,951	3/1934	Bozarth .	
3,847,435	11/1974	Skinner .	
4,659,142	4/1987	Kuchinsky, Jr. .	

FOREIGN PATENT DOCUMENTS

1544140	4/1979	United Kingdom	D6/368 X
---------	--------	----------------------	----------

Primary Examiner—Alan P. Douglas
Assistant Examiner—Gary D. Watson
Attorney, Agent, or Firm—David H. Semmes

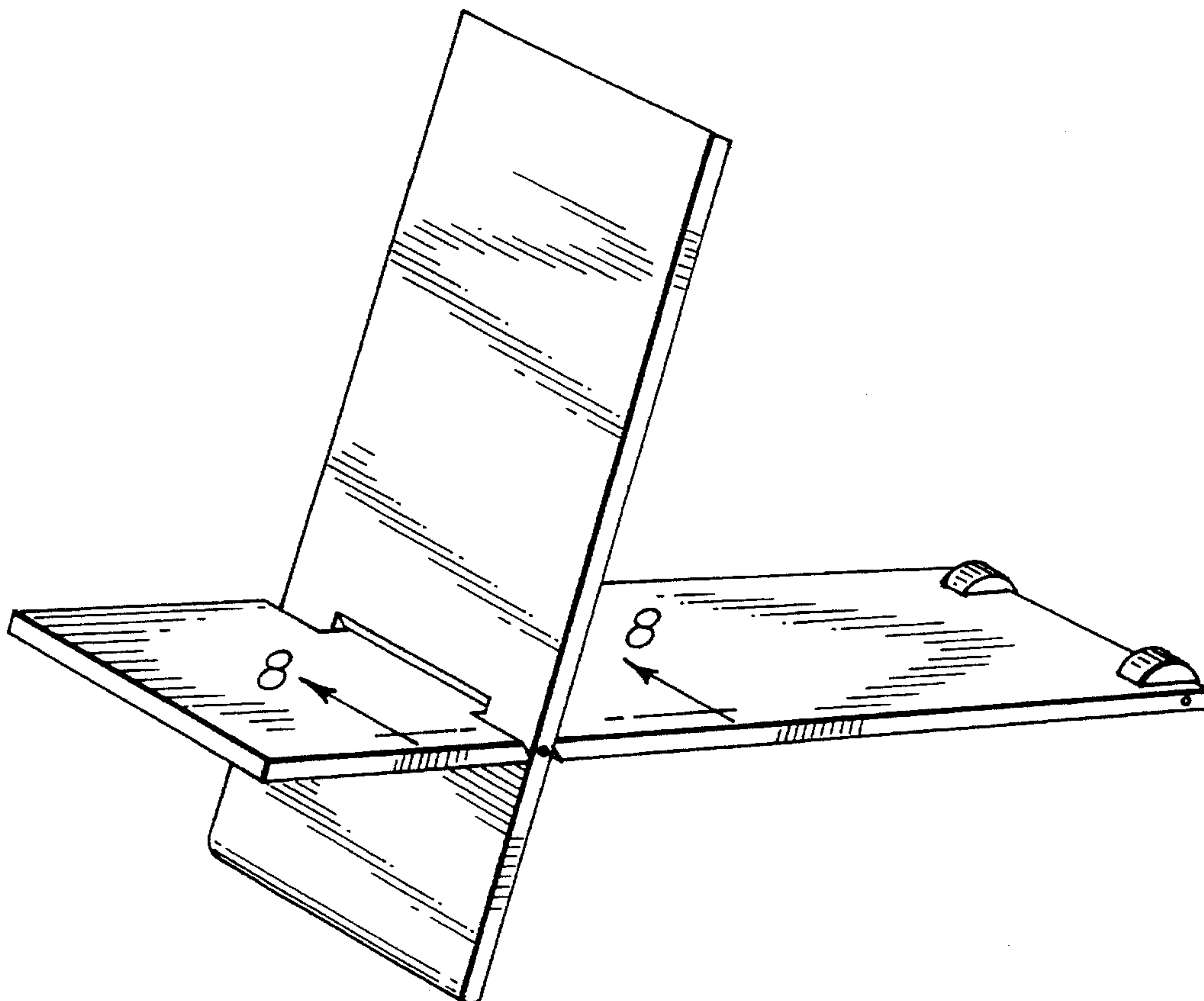
[57] **CLAIM**

The ornamental design for a plank lounger, as shown and described.

DESCRIPTION

FIG. 1 is a perspective view of the plank lounger in a chair mode;
 FIG. 2 is a side elevation;
 FIG. 3 is a top plan;
 FIG. 4 is a bottom plan;
 FIG. 5 is a front elevation;
 FIG. 6 is a rear elevation;
 FIG. 7 is a side elevation of the plank lounger in a recliner mode;
 FIG. 8 is a fragmentary vertical section of the joint, taken along section line 8—8 of FIG. 1; and,
 FIG. 9 is a similar fragmentary sectional view of the joint in FIG. 7.

1 Claim, 3 Drawing Sheets



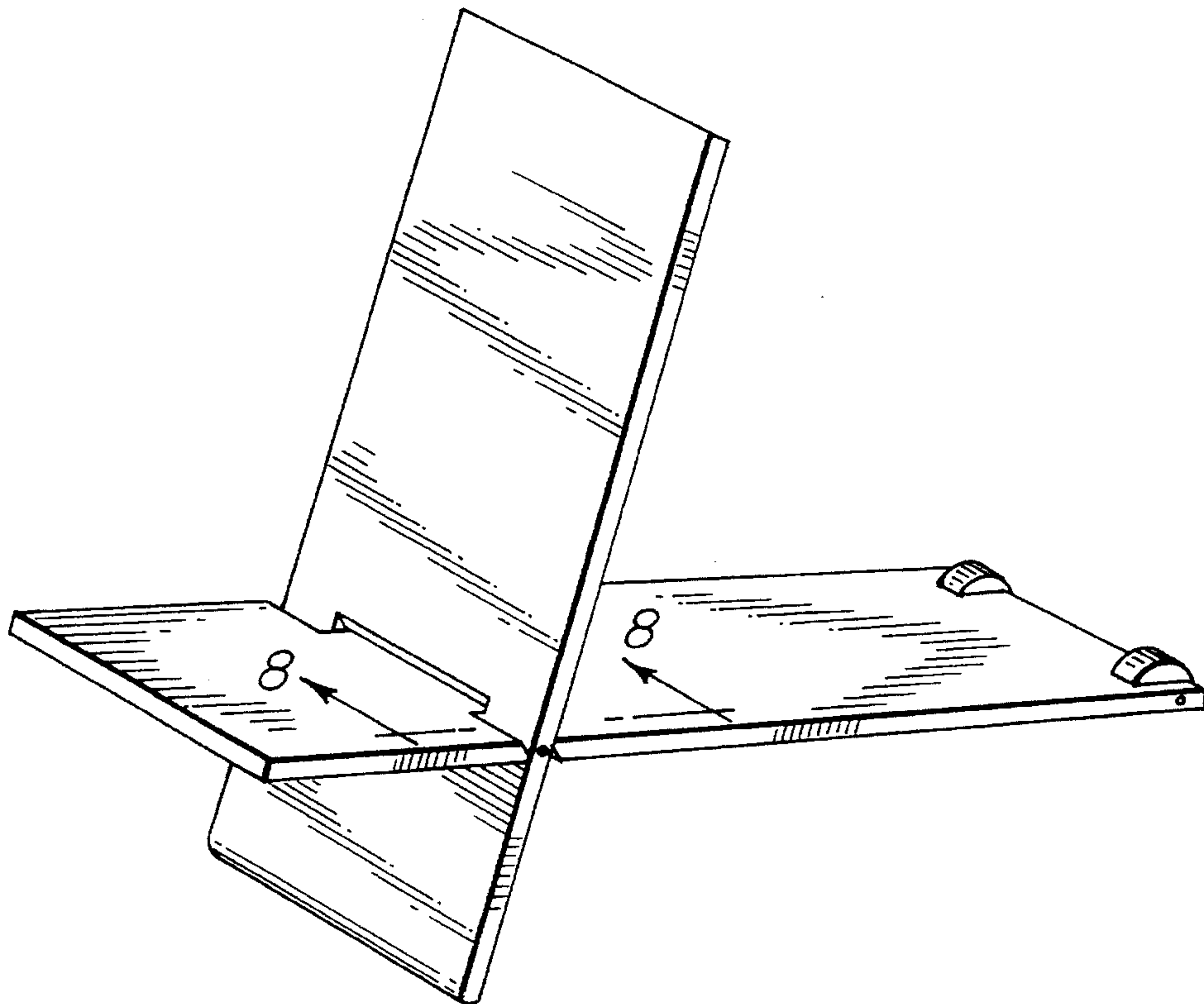


FIG. 1

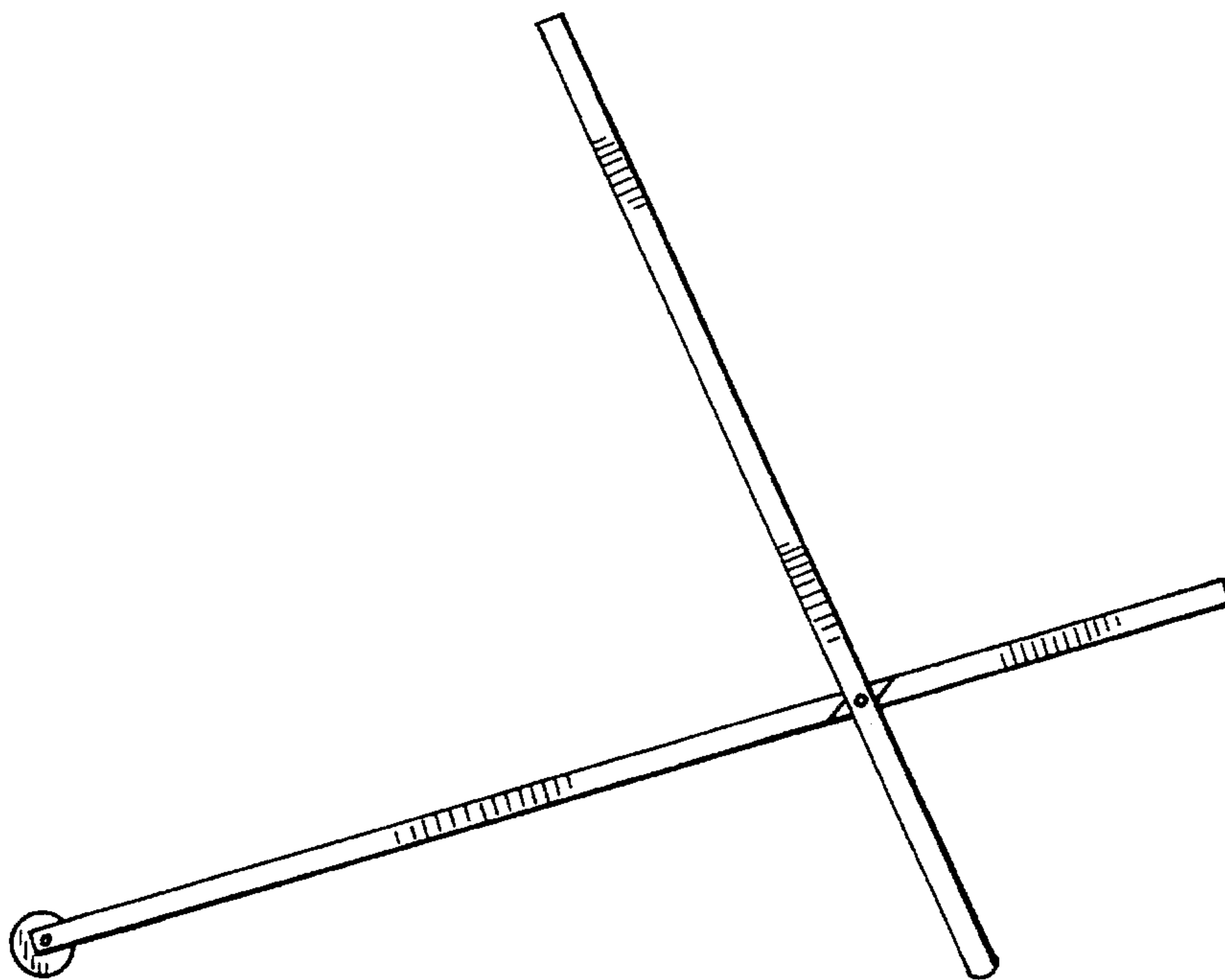


FIG. 2

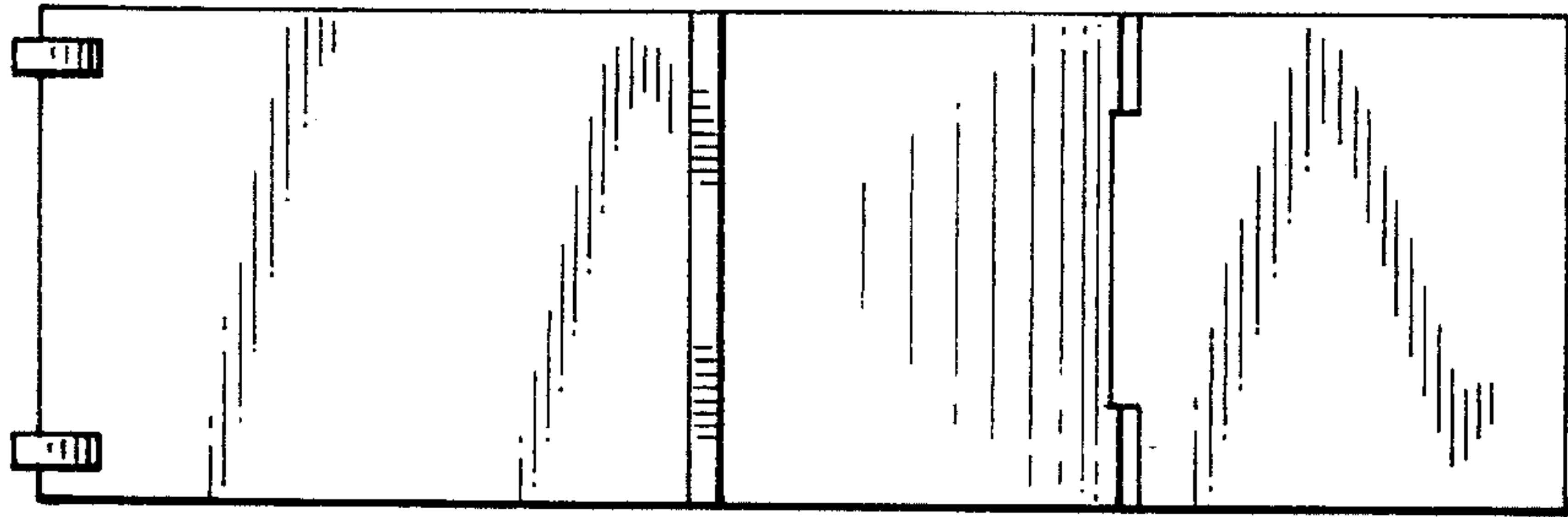


FIG. 3

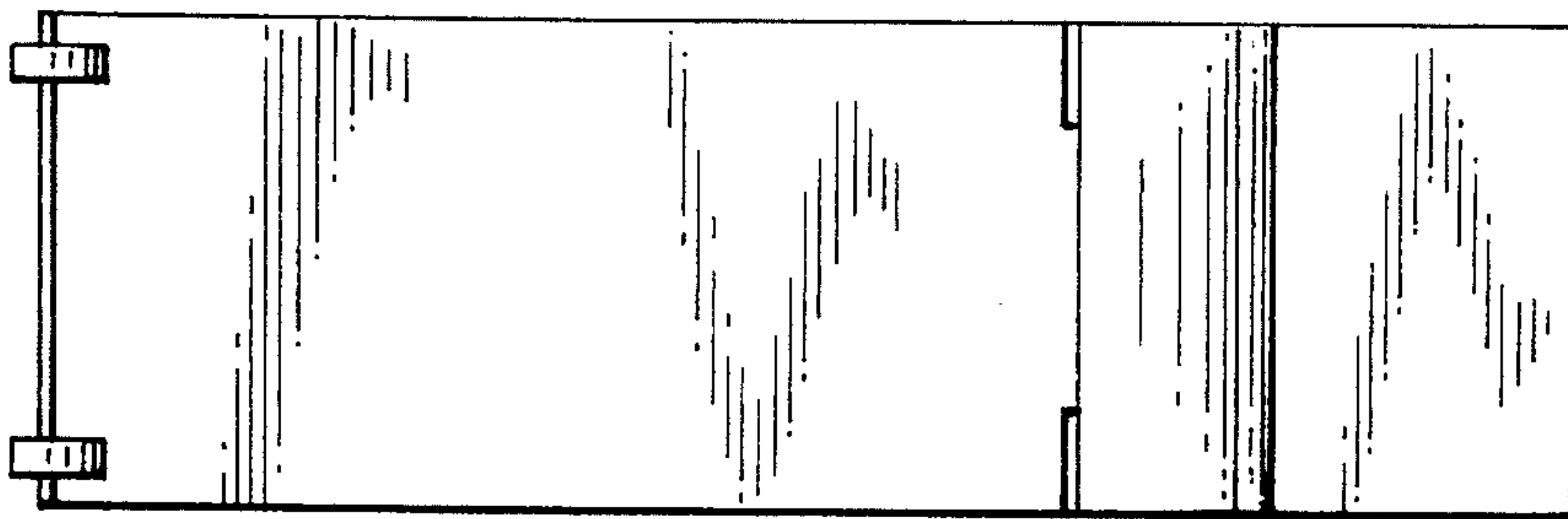


FIG. 4

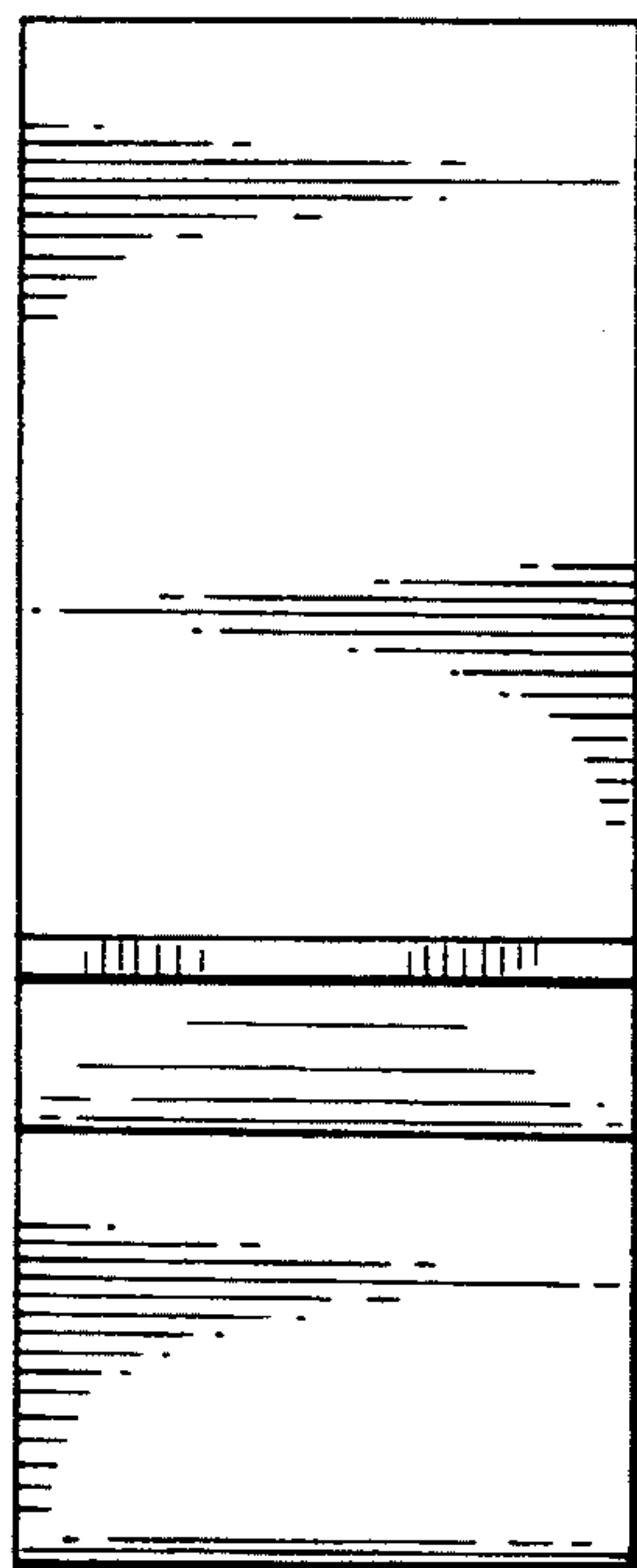


FIG. 5

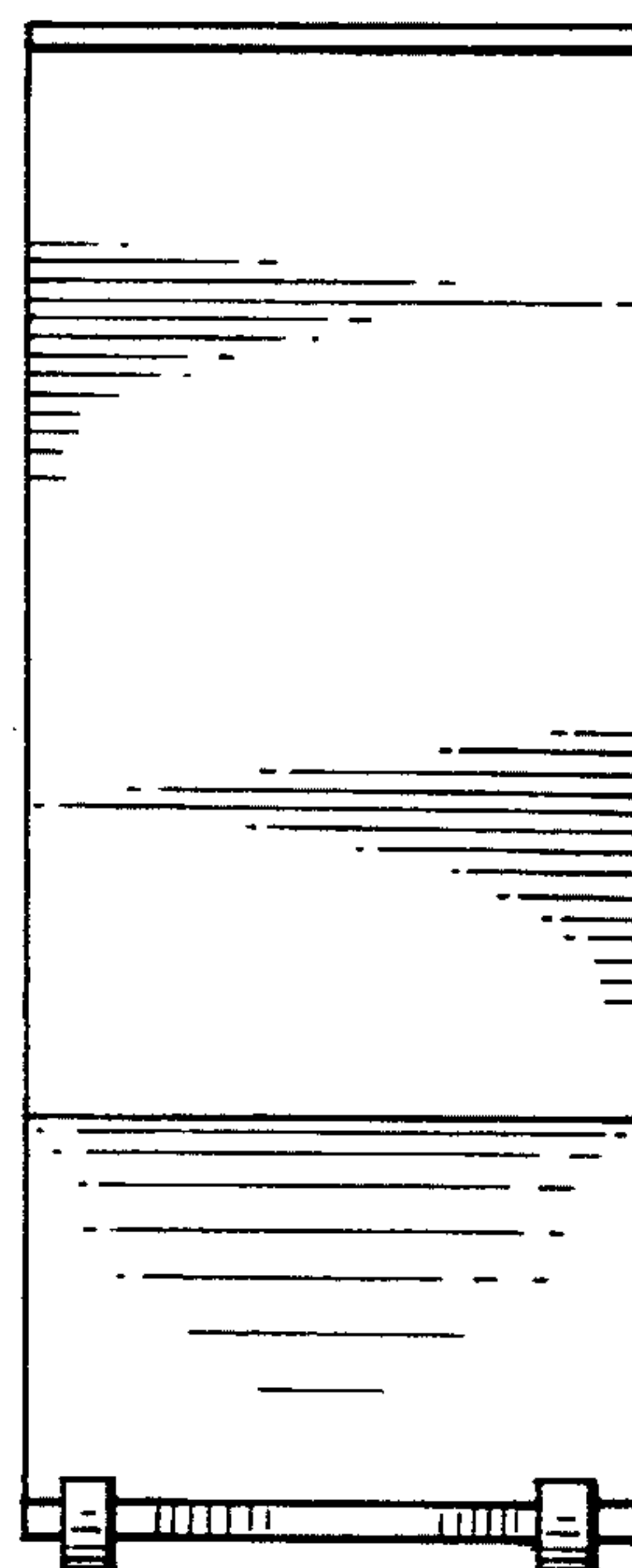


FIG. 6

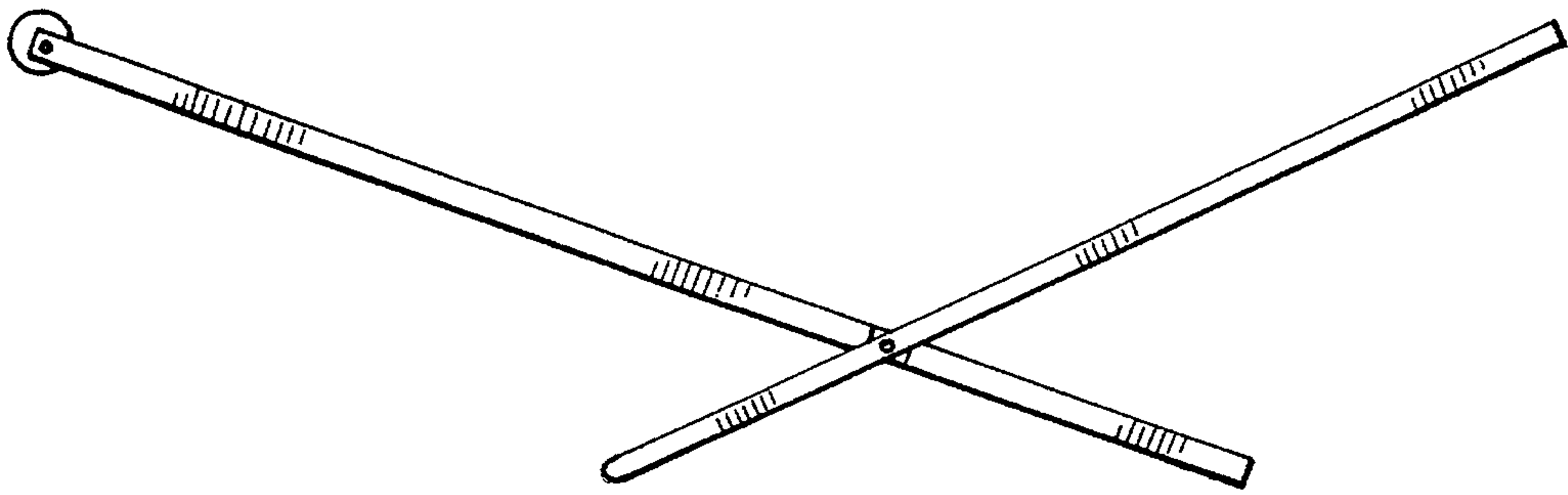


FIG. 7

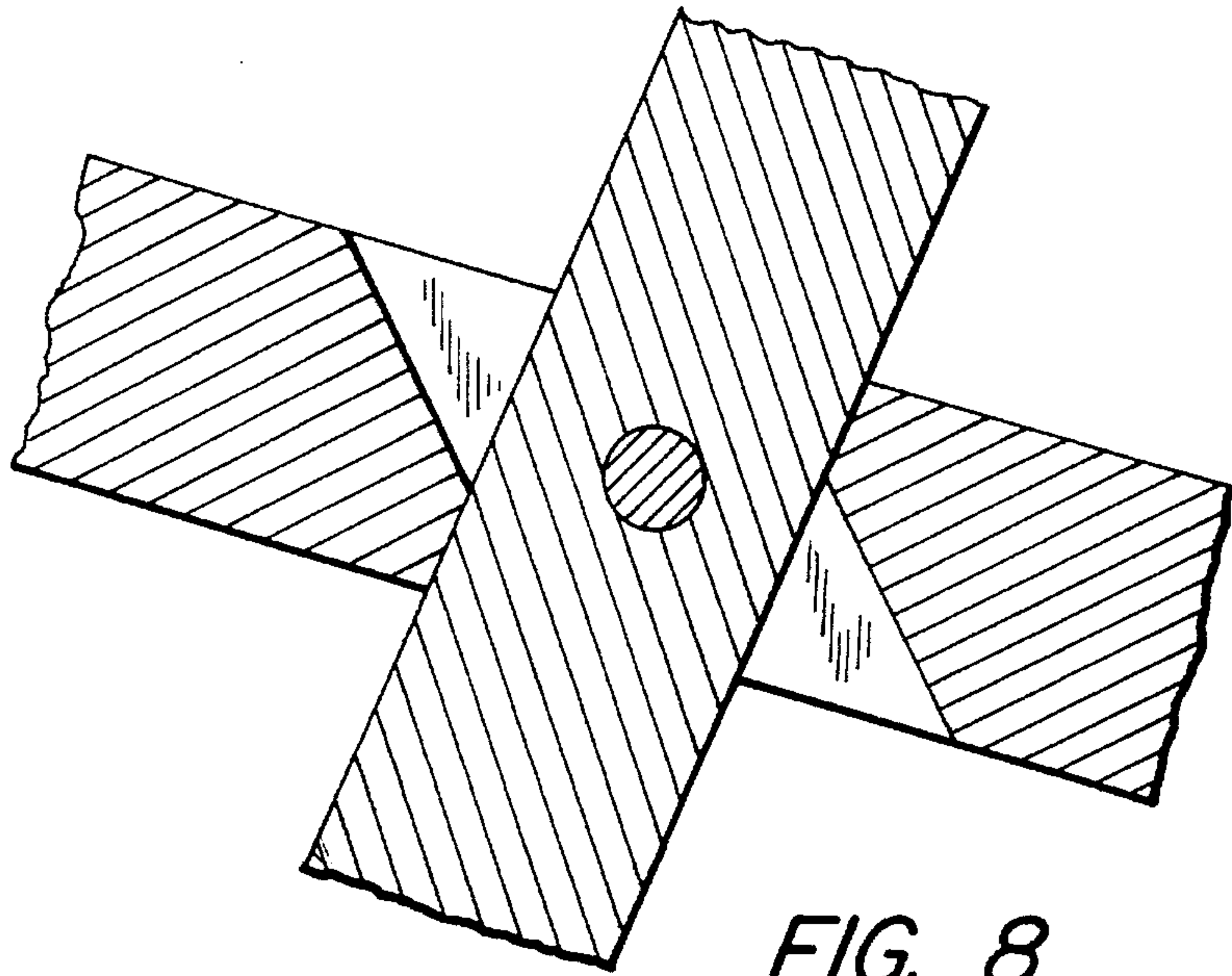


FIG. 8

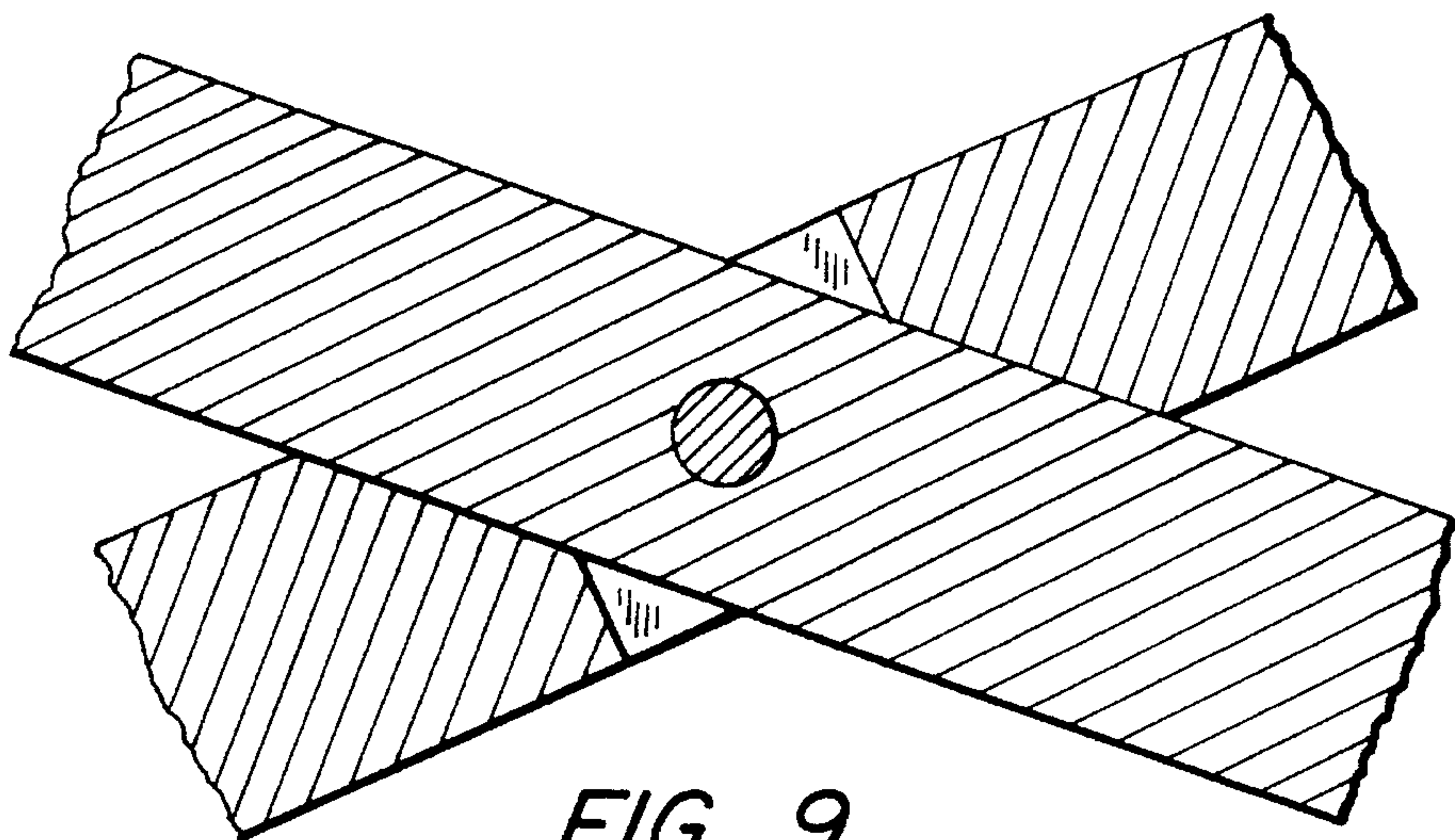


FIG. 9