



US00D365936S

# United States Patent [19]

Haut et al.

[11] Patent Number: **Des. 365,936**

[45] Date of Patent: **\*\*Jan. 9, 1996**

[54] **HIGH CHAIR FOR INFANT**

[75] Inventors: **Robert Haut, Paoli; Peter Tuckey,**  
Birdsboro, both of Pa.

[73] Assignee: **Graco Children's Products Inc.,**  
Elverson, Pa.

[\*\*] Term: **14 Years**

[21] Appl. No.: **30,138**

[22] Filed: **Nov. 4, 1994**

[52] U.S. Cl. .... **D6/339**

[58] Field of Search ..... D6/333, 339; D12/129;  
297/148-154, 250.1, 256.15, 464, 467,  
487, 488

[56] **References Cited**

**U.S. PATENT DOCUMENTS**

D. 131,679	9/1941	Greenbaum .	
D. 152,383	12/1946	Waaranan .	
D. 181,975	1/1958	Hail et al. ....	D6/339
D. 188,844	9/1960	Scheffey, Jr. ....	D6/339
D. 189,664	1/1961	Fulton .....	D6/339
D. 192,731	5/1962	Gelman .....	D6/339
D. 344,189	2/1994	Golenz et al. .	
1,178,894	4/1916	Wilcox .	
1,428,916	9/1922	Snideman .	
2,019,005	10/1935	Erickson .	
2,131,722	10/1938	Arthur .	
3,383,134	5/1968	Webb et al. .	
3,475,052	5/1969	Kaposi .	
3,516,709	6/1970	Nader .	
4,105,247	8/1978	Saint .	
4,512,607	4/1985	Rapp .	
4,807,928	2/1989	Cone .	
4,818,016	4/1989	Mariol et al. .	
4,842,331	6/1989	Waples .	
4,844,537	7/1989	Reed .	

4,968,092	11/1990	Giambrone .
5,106,156	4/1992	Marquis .
5,118,161	6/1992	Slowe et al. .
5,131,715	7/1992	Balles .
5,183,311	2/1993	Meeker et al. .
5,238,292	8/1993	Golenz et al. .

**OTHER PUBLICATIONS**

Best Catalog, 1994/1995, p. 477.

*Primary Examiner*—Janice E. Seeger  
*Attorney, Agent, or Firm*—Pennie & Edmonds

[57] **CLAIM**

The ornamental design of a high chair, as shown and described.

**DESCRIPTION**

FIG. 1 is a perspective view of a high chair showing our new design with the tray thereof omitted for convenience of illustration, the broken line being for environmental purposes only and form no part of the claimed design;

FIG. 2 is a right side view thereof, the left side view being a mirror image thereof;

FIG. 3 is a front view thereof;

FIG. 4 is a rear view thereof;

FIG. 5 is a top view thereof;

FIG. 6 is a bottom view thereof;

FIG. 7 is a perspective view of the high chair according to our new design with the tray connected thereto;

FIG. 8 is a right side view thereof, the left side view being a mirror image thereof;

FIG. 9 is a front view thereof;

FIG. 10 is a rear view thereof;

FIG. 11 is a top view thereof; and,

FIG. 12 is a bottom view thereof.

**1 Claim, 12 Drawing Sheets**



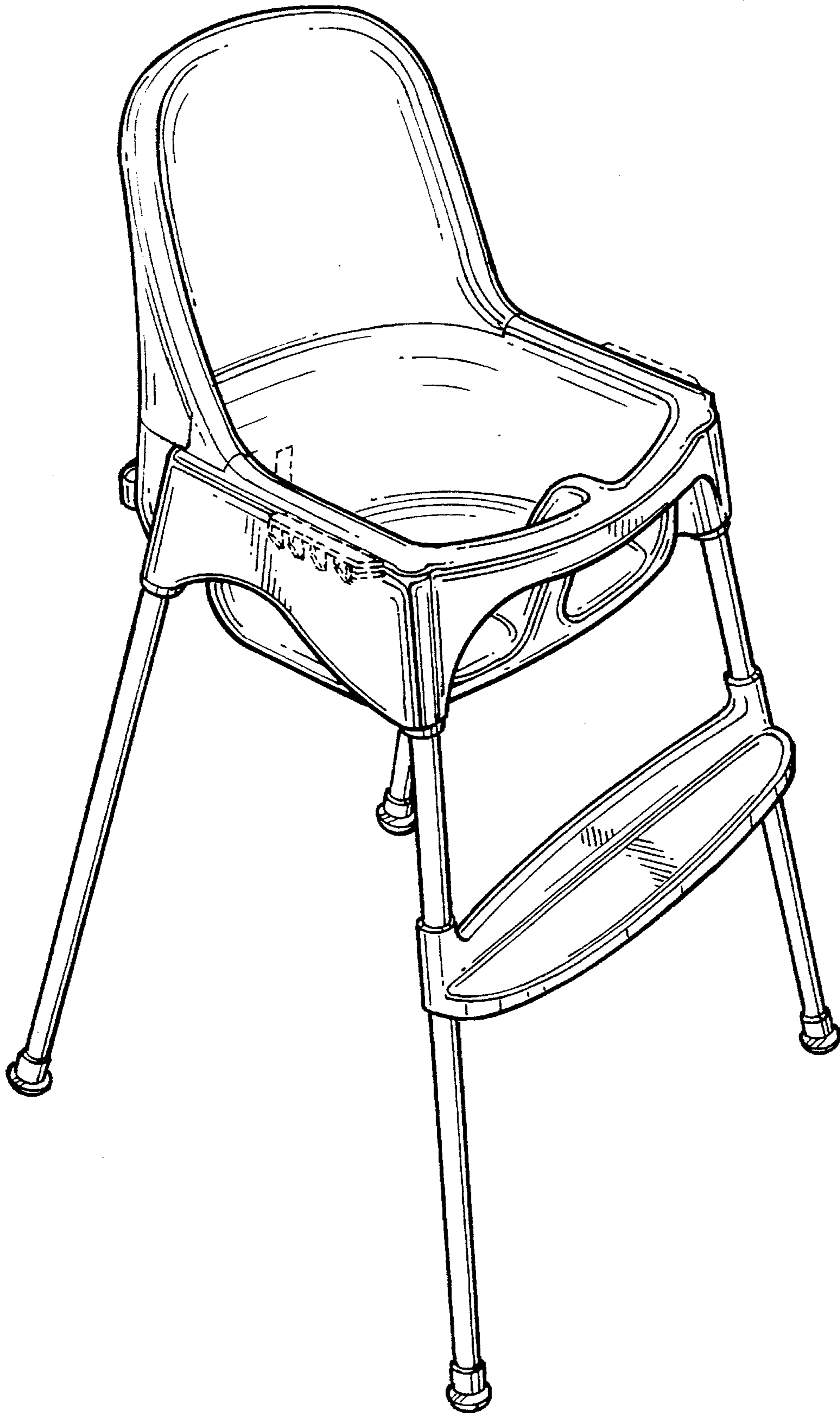


FIG. 1

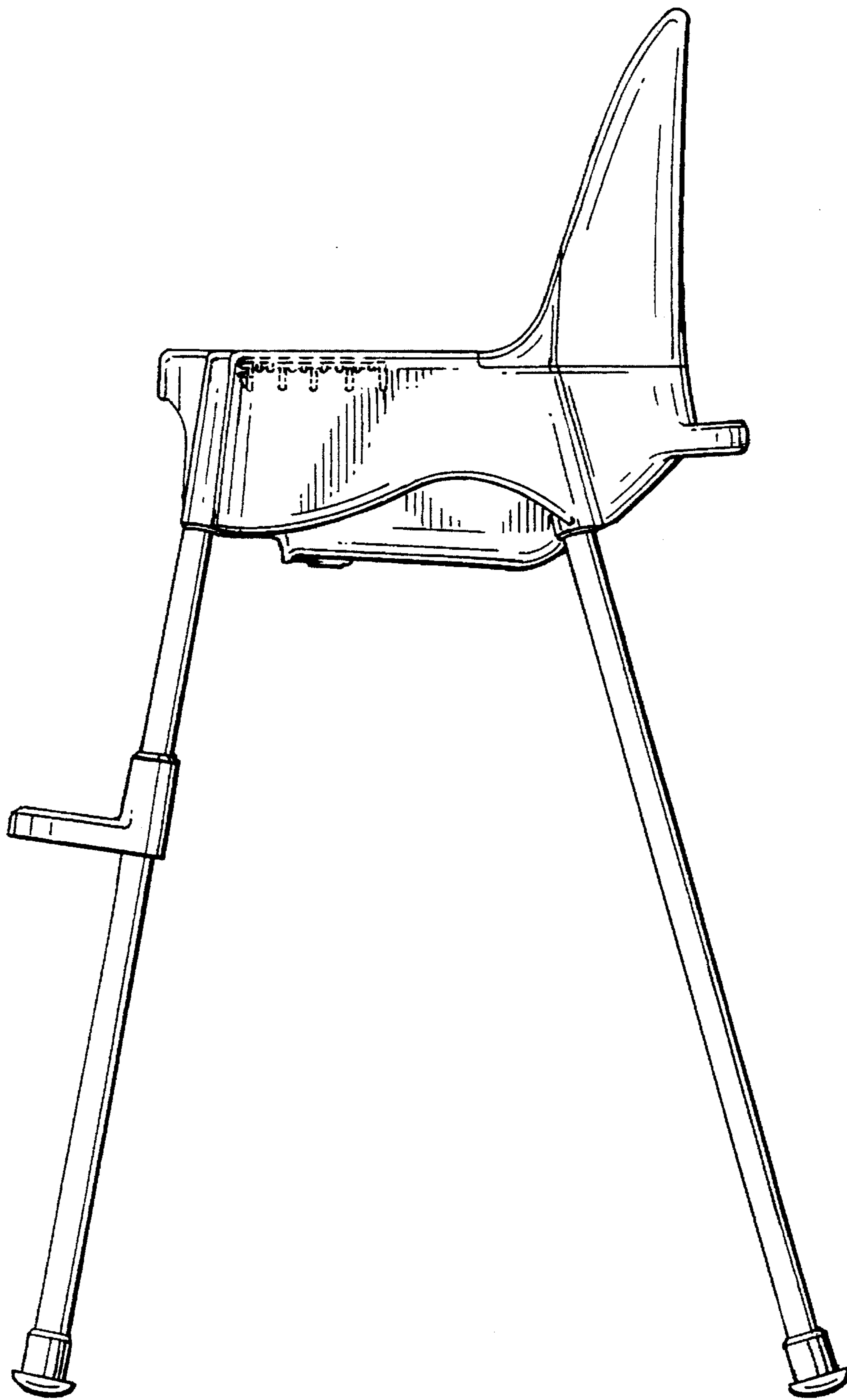


FIG. 2

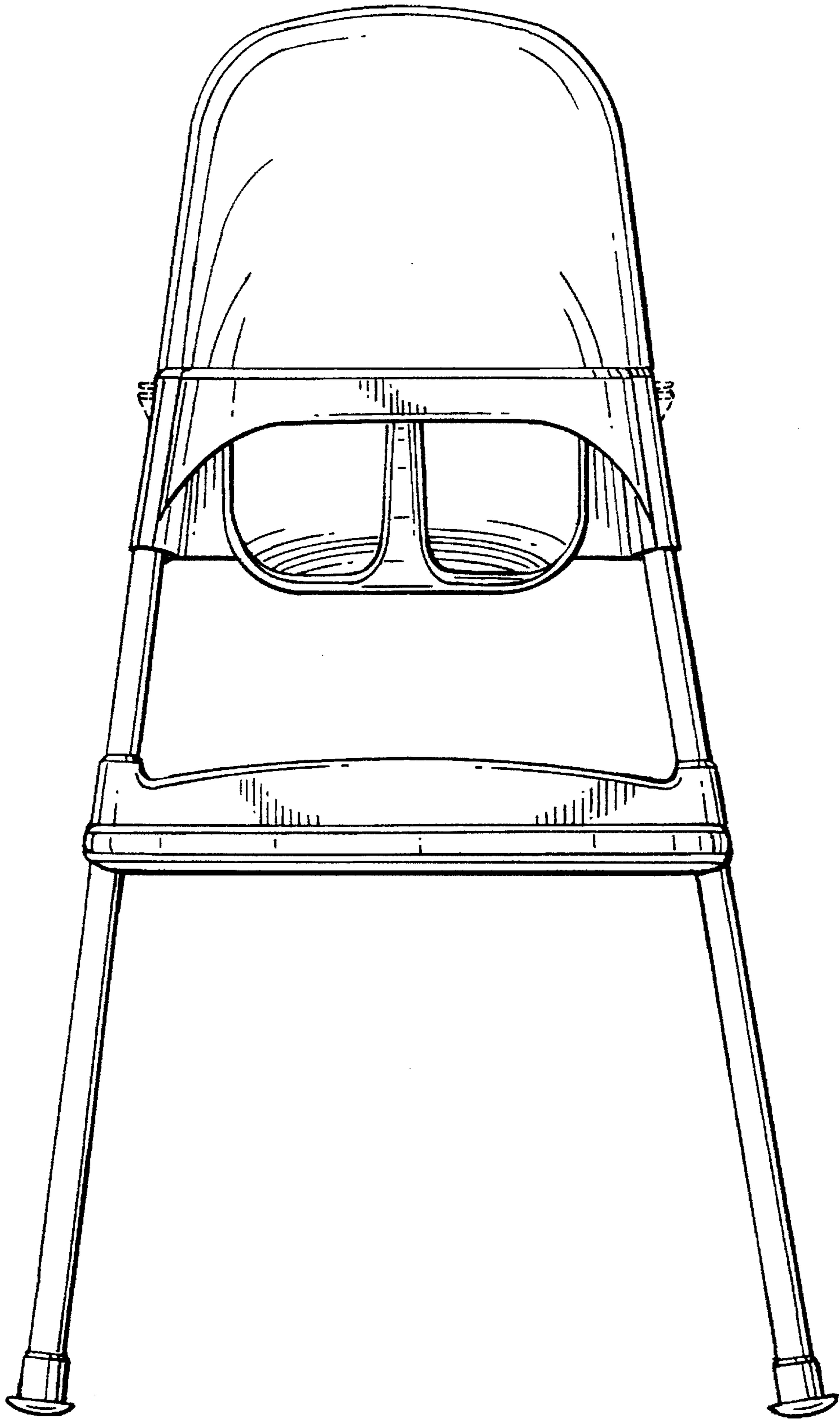


FIG. 3

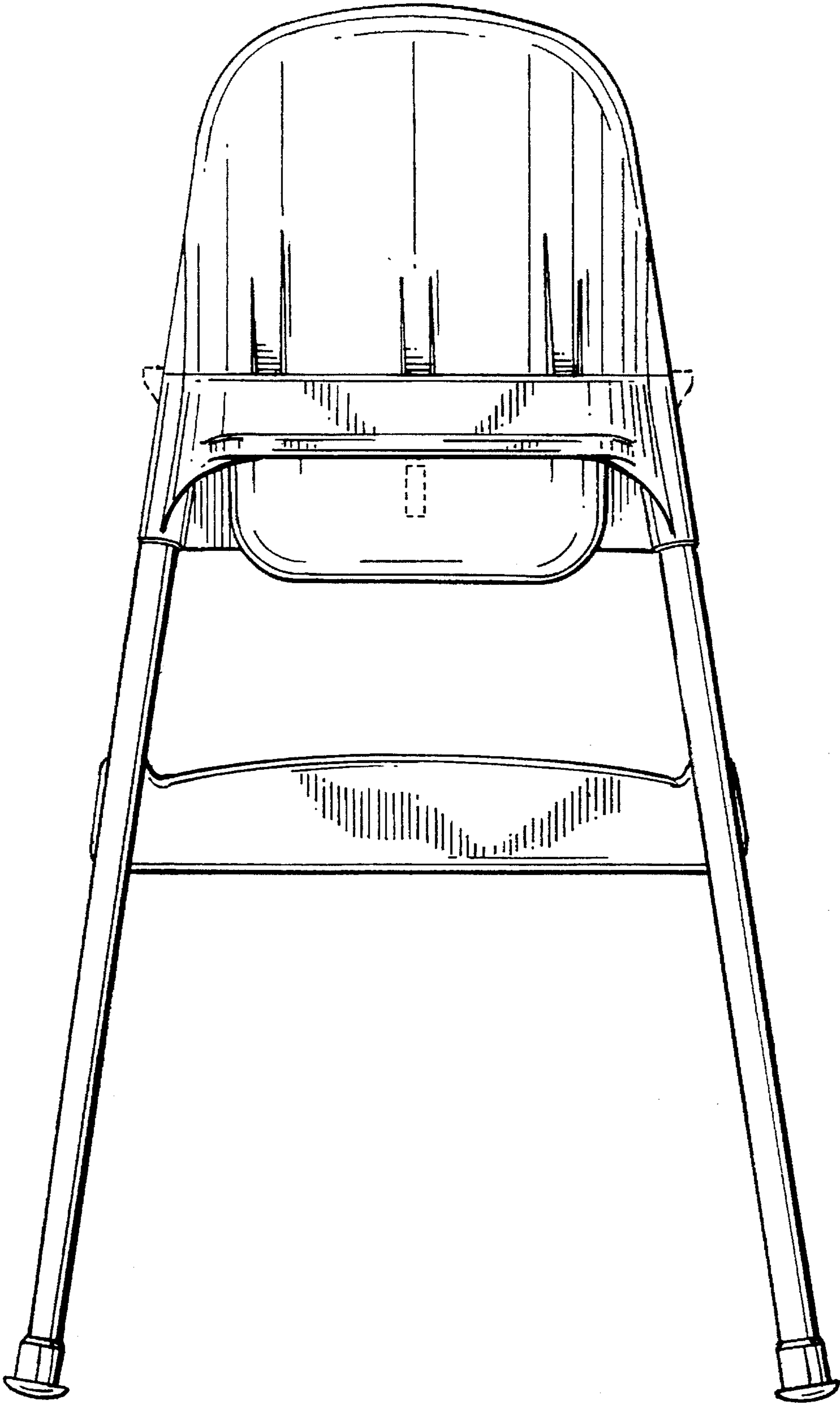


FIG. 4

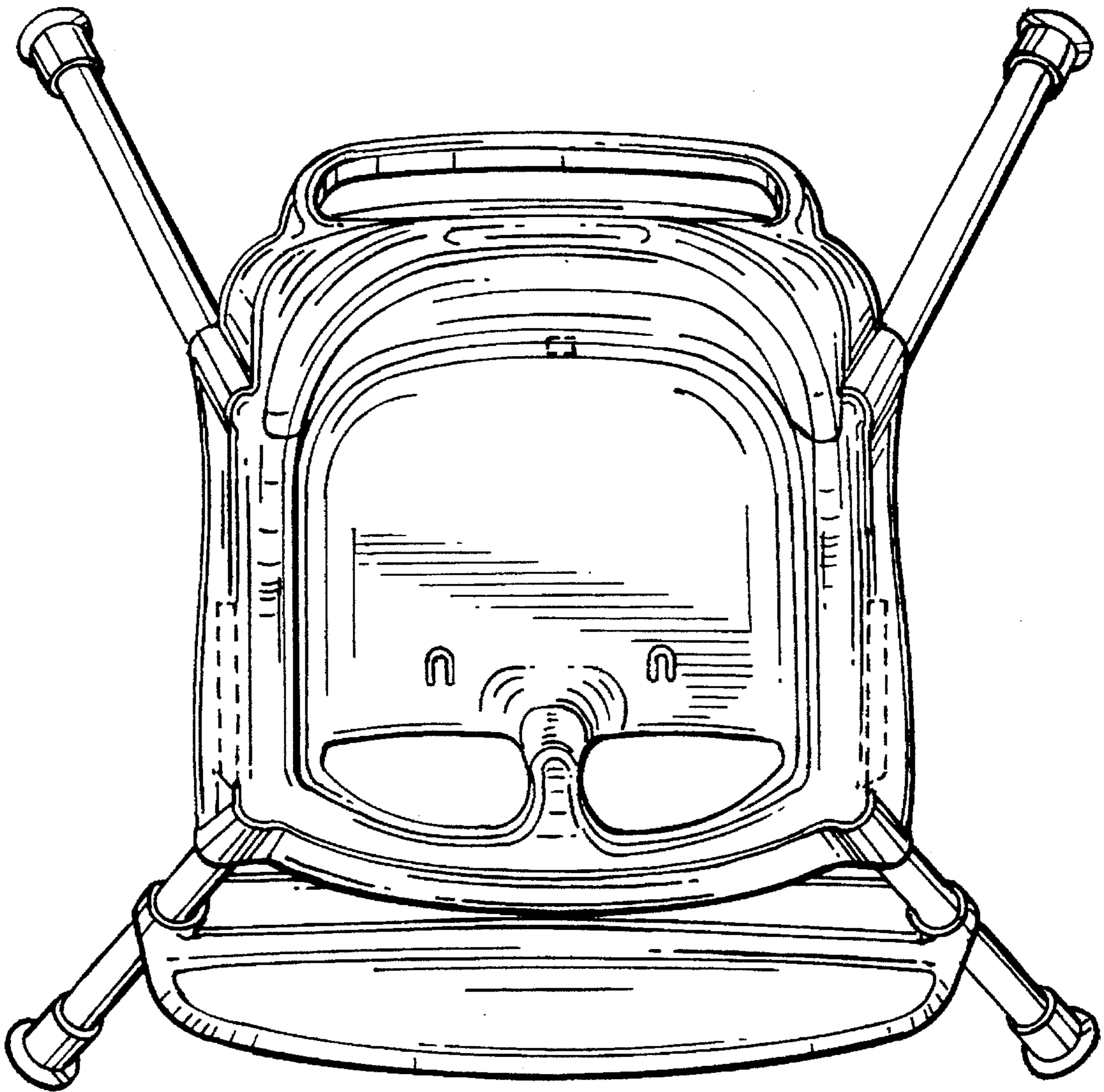


FIG. 5

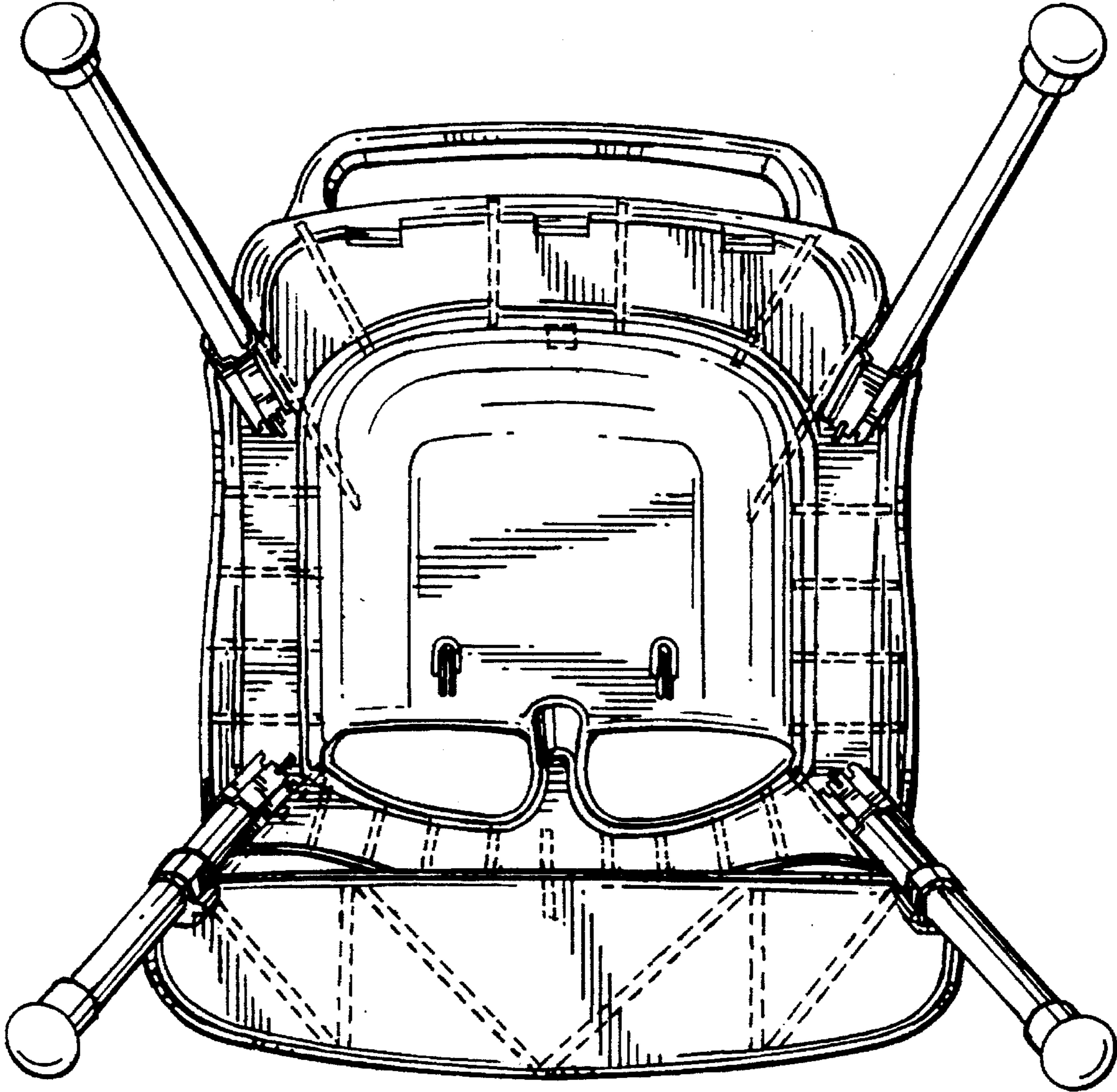


FIG. 6

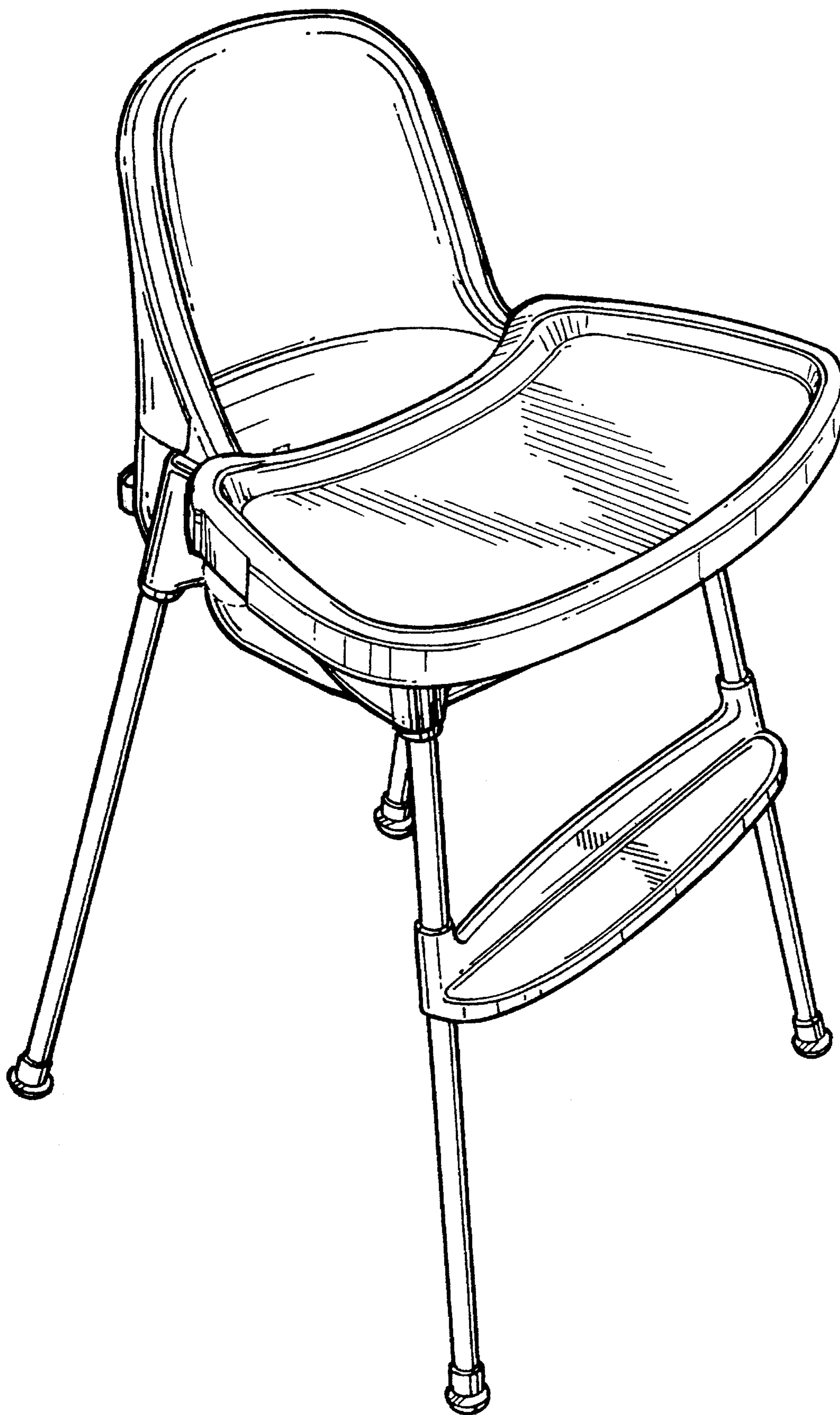


FIG. 7



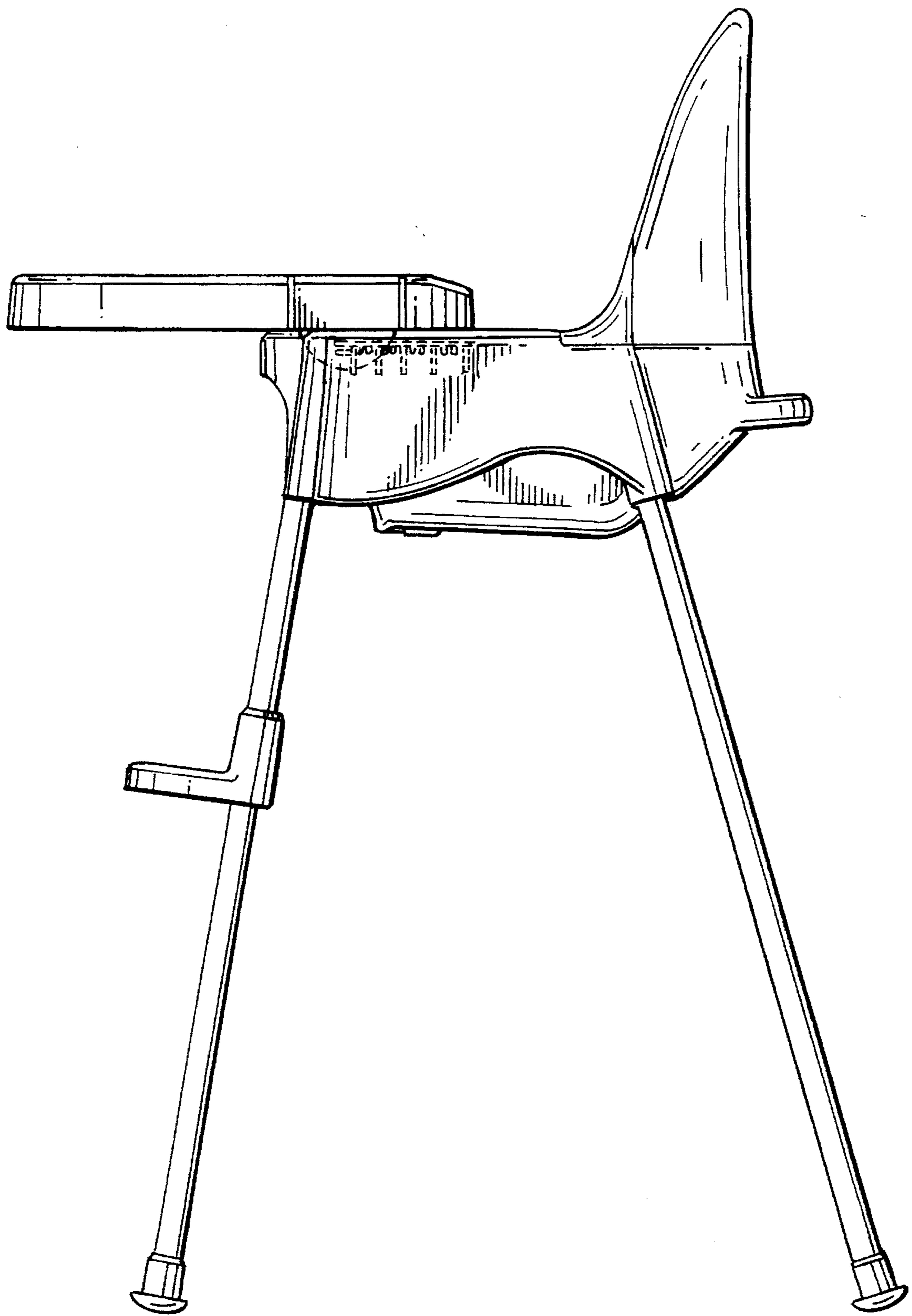


FIG. 8

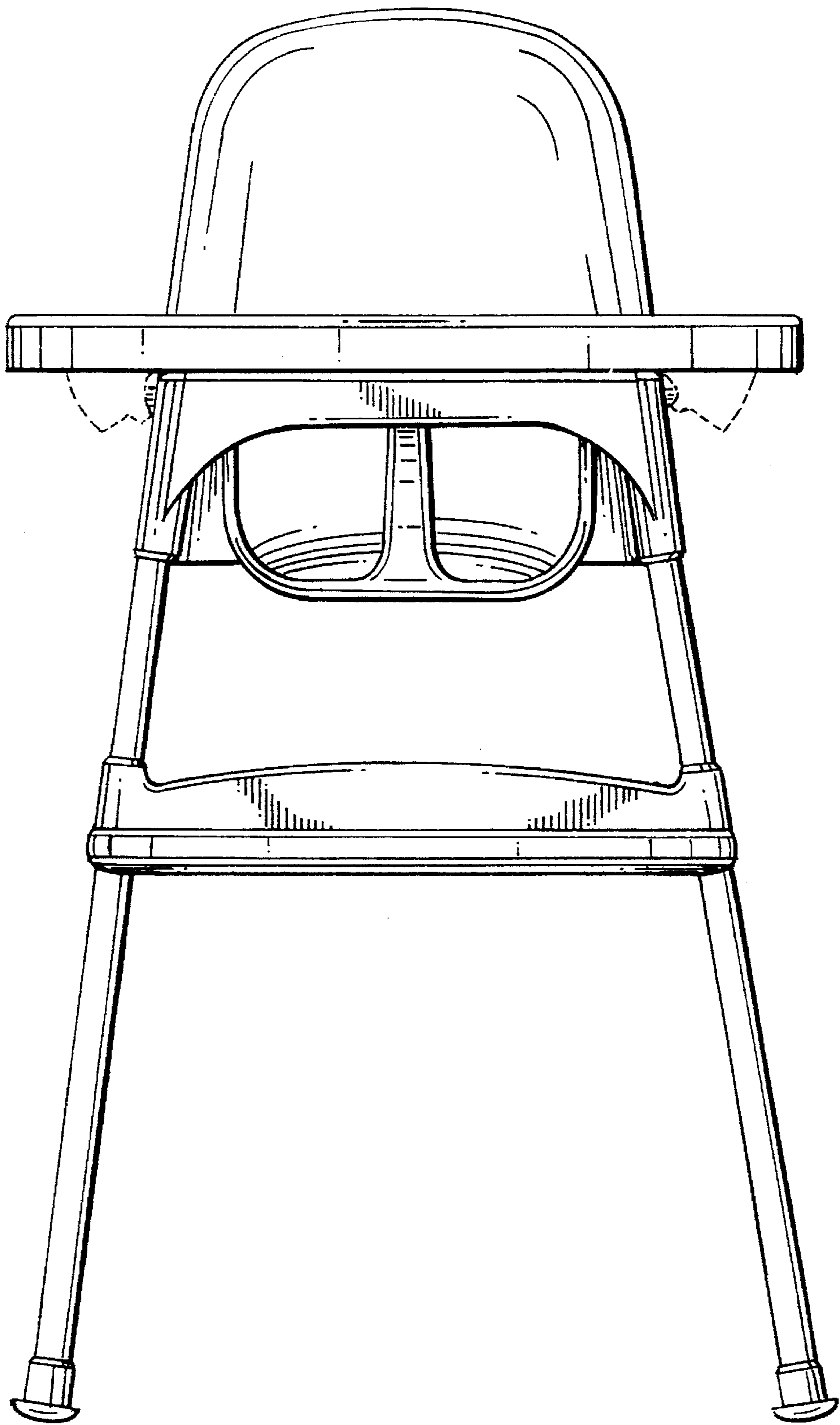


FIG. 9

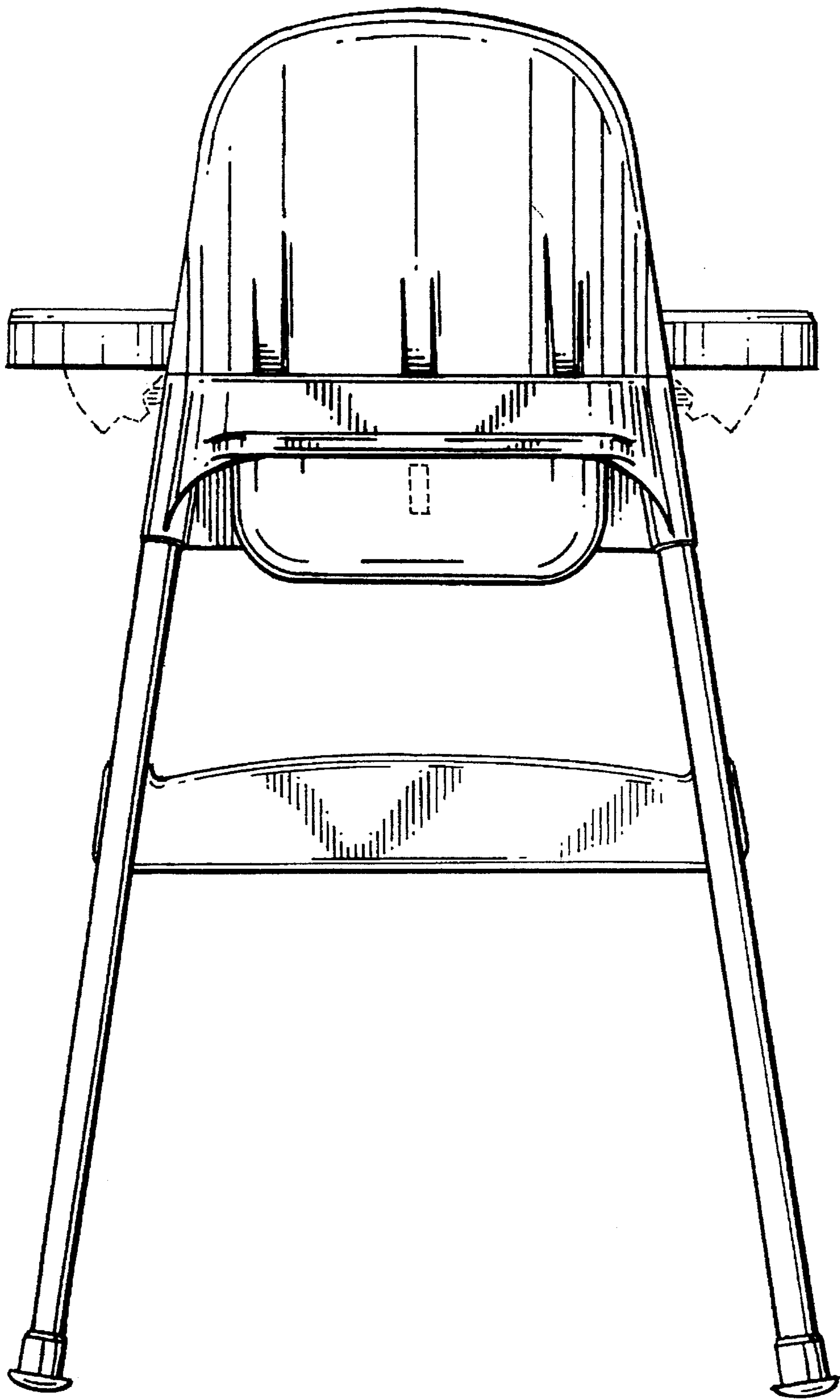


FIG. 10

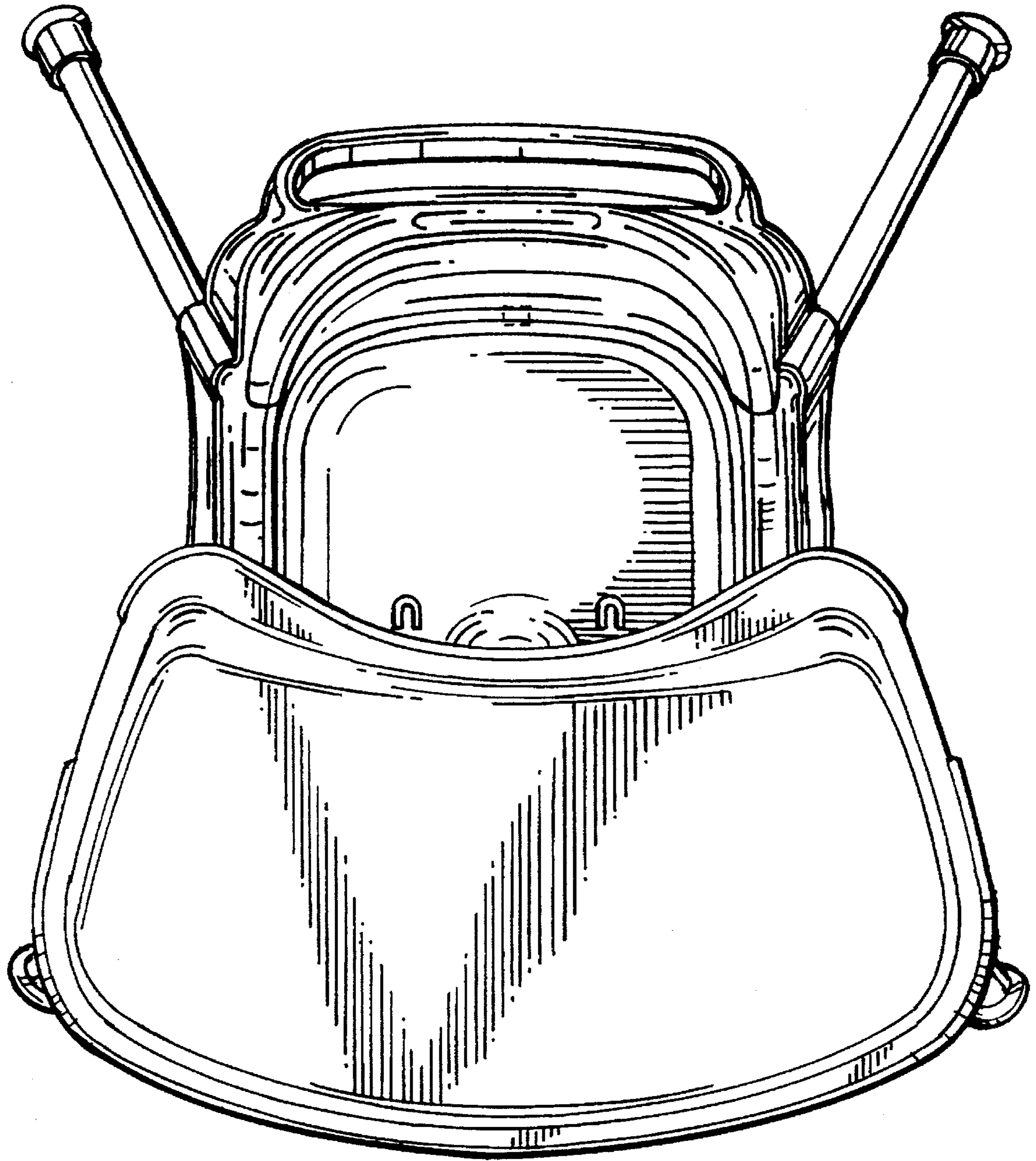


FIG. 11

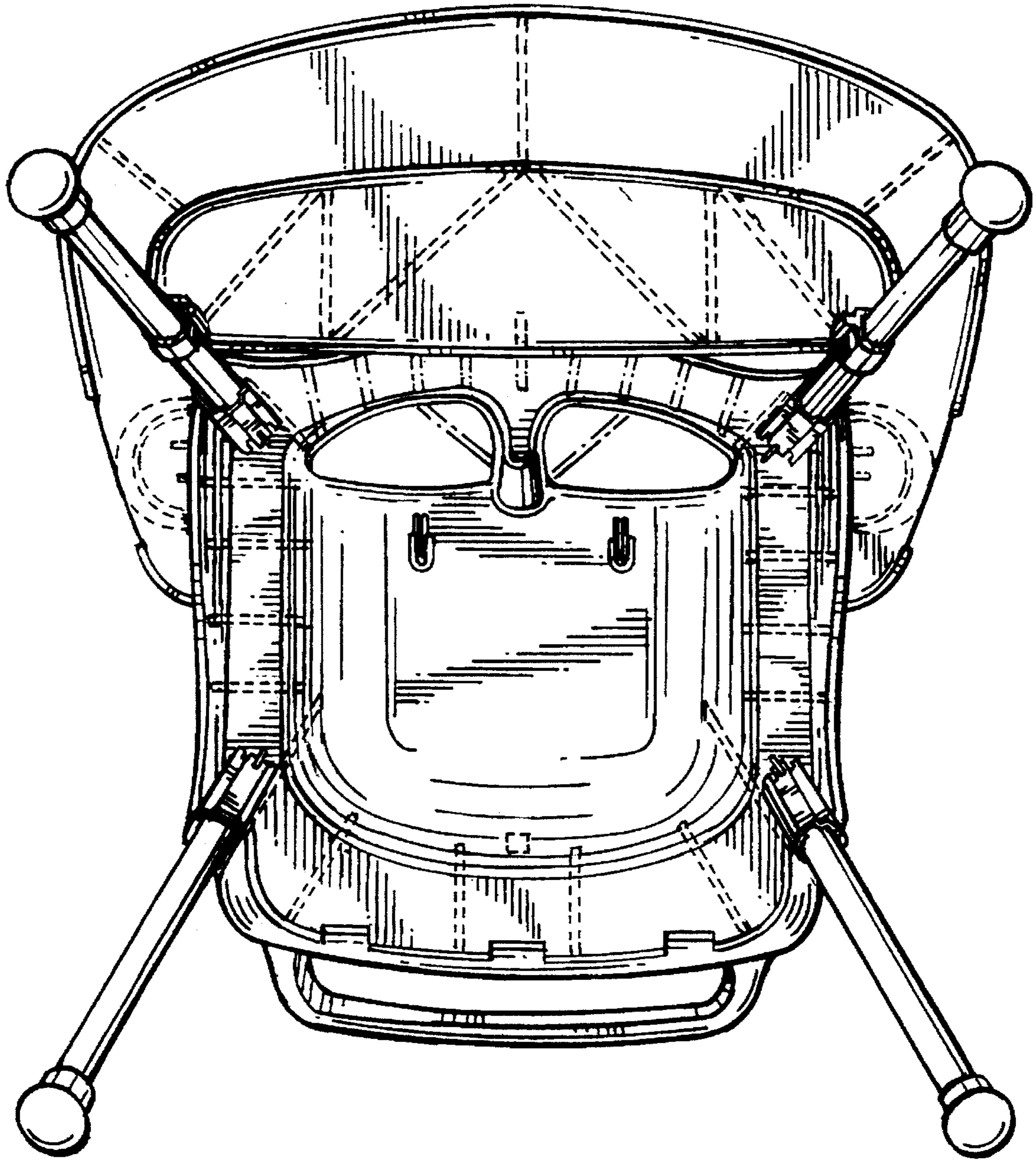


FIG. 12