



US00D365930S

**United States Patent** [19]

[11] **Patent Number: Des. 365,930**

**Huen**

[45] **Date of Patent: \*\*Jan. 9, 1996**

[54] **HAIRBRUSH AND COMB SET**

FOREIGN PATENT DOCUMENTS

[75] Inventor: **Hing-Wah Huen**, Kowloon, Hong Kong

355051 8/1931 United Kingdom ..... 132/121

[73] Assignee: **Fairform Mfg. Co., Ltd.**, Kowloon, Hong Kong

*Primary Examiner*—A. Hugo Word  
*Assistant Examiner*—Lavone D. Tabor  
*Attorney, Agent, or Firm*—Browning, Bushman, Anderson & Brookhart

[\*\*] Term: **14 Years**

[57] **CLAIM**

[21] Appl. No.: **10,476**

The ornamental design for a hairbrush and comb set, as shown and described.

[22] Filed: **Jul. 8, 1993**

**DESCRIPTION**

[52] U.S. Cl. .... **D4/117**; D4/121; D28/25

[58] **Field of Search** ..... D4/116-117, 121, D4/130, 133-134, 136, 138; D28/25, 28-30; 15/105, 143.1, 159.1, 160, 186-188; 132/120-121, 141, 150, 212, 219, 313

FIG. 1 is a top, side and front end perspective view of a hairbrush and comb set, showing my new design; FIG. 2 is a top, side and front end perspective view thereof, with the hairbrush and comb separated; FIG. 3 is a top plan view thereof; FIG. 4 is a bottom plan view thereof; FIG. 5 is a side elevational view thereof; FIG. 6 is an opposite side elevational view thereof; FIG. 7 is a front end elevational view thereof; and, FIG. 8 is a rear end elevational view thereof.

[56] **References Cited**

U.S. PATENT DOCUMENTS

D. 247,858 5/1978 Moya ..... D28/30  
2,815,032 12/1957 Rosenfeld ..... 15/105  
5,163,456 11/1992 Lombardi, Jr. .... D28/25 X

**1 Claim, 3 Drawing Sheets**

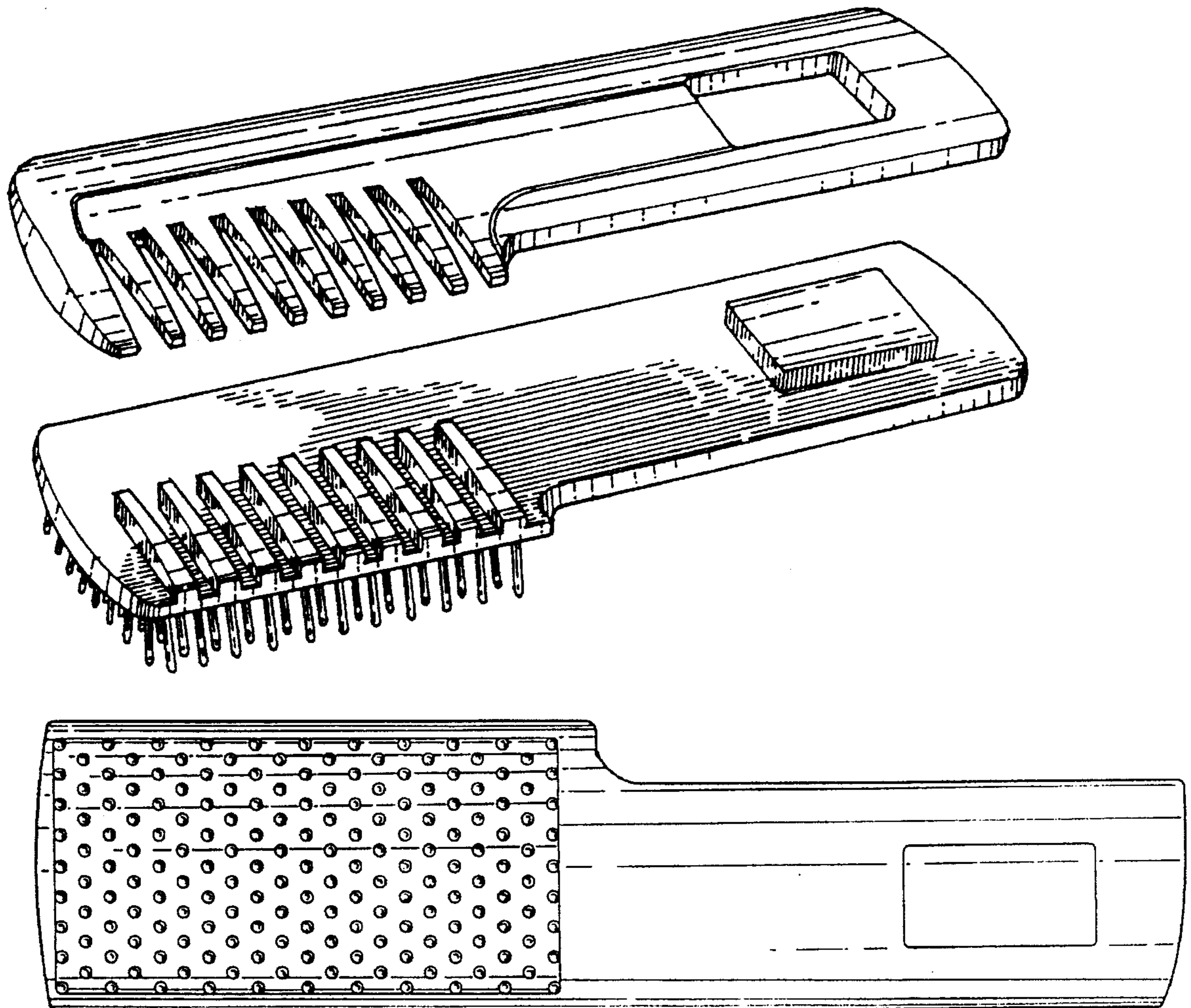


FIG. 1

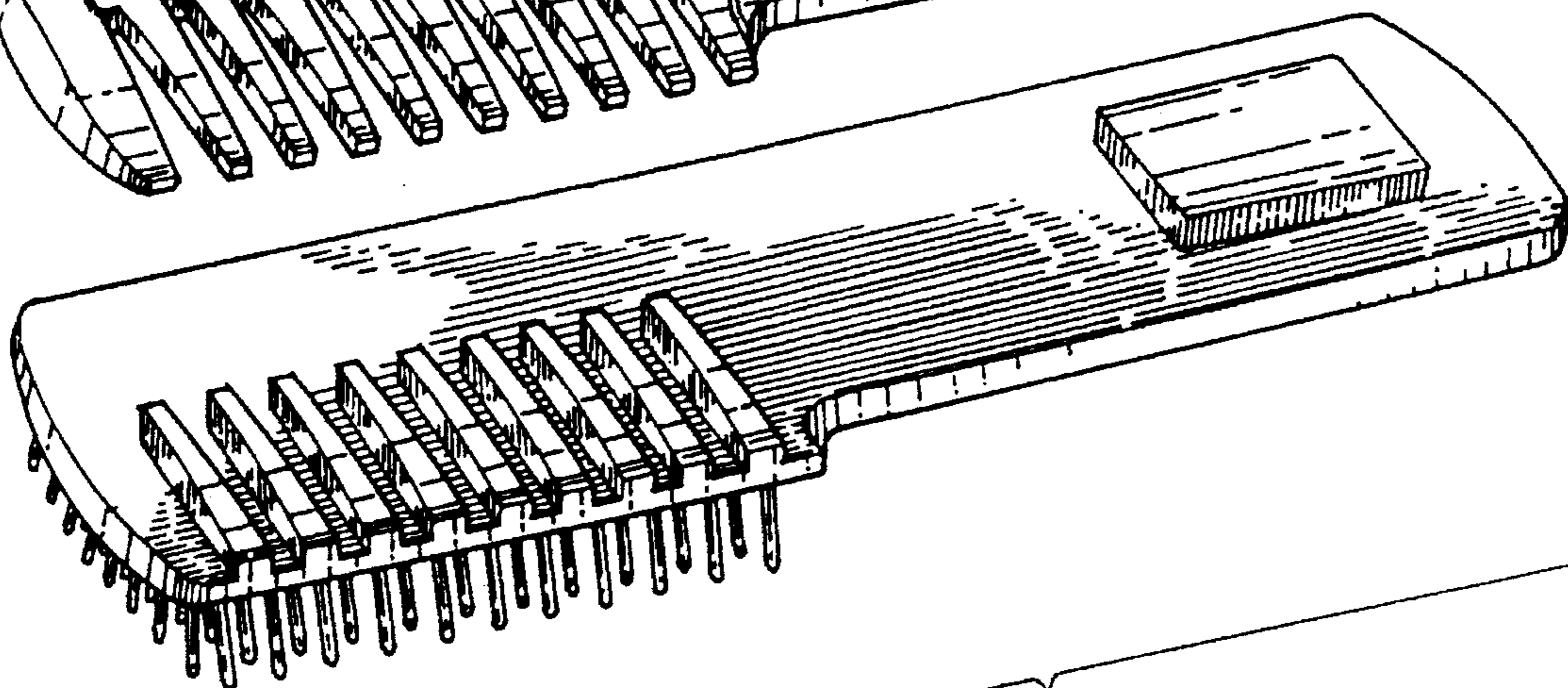
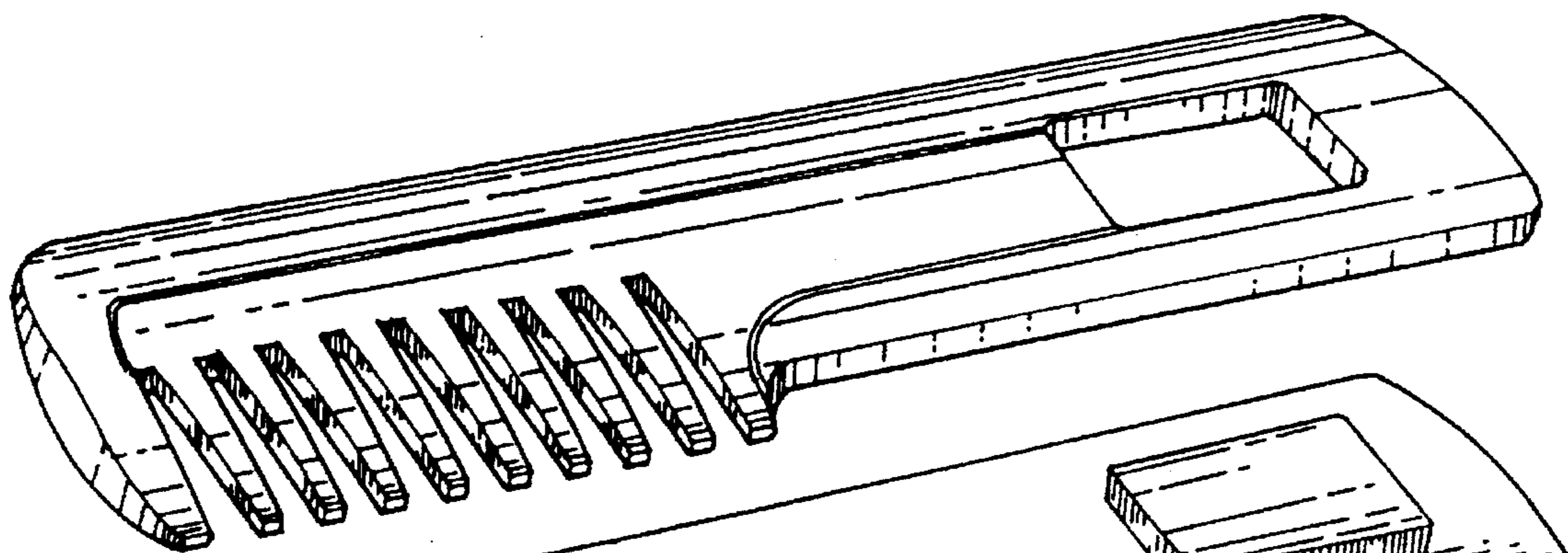
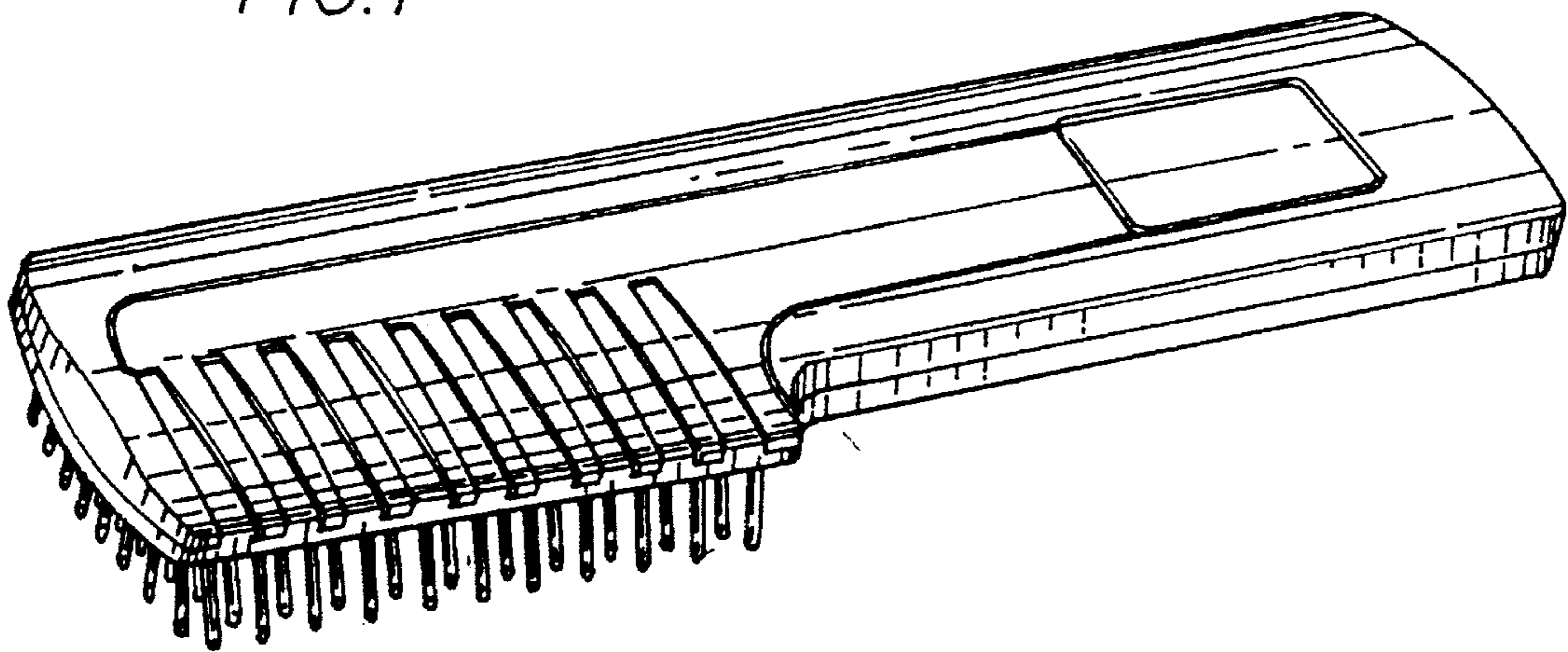


FIG. 2

FIG. 3

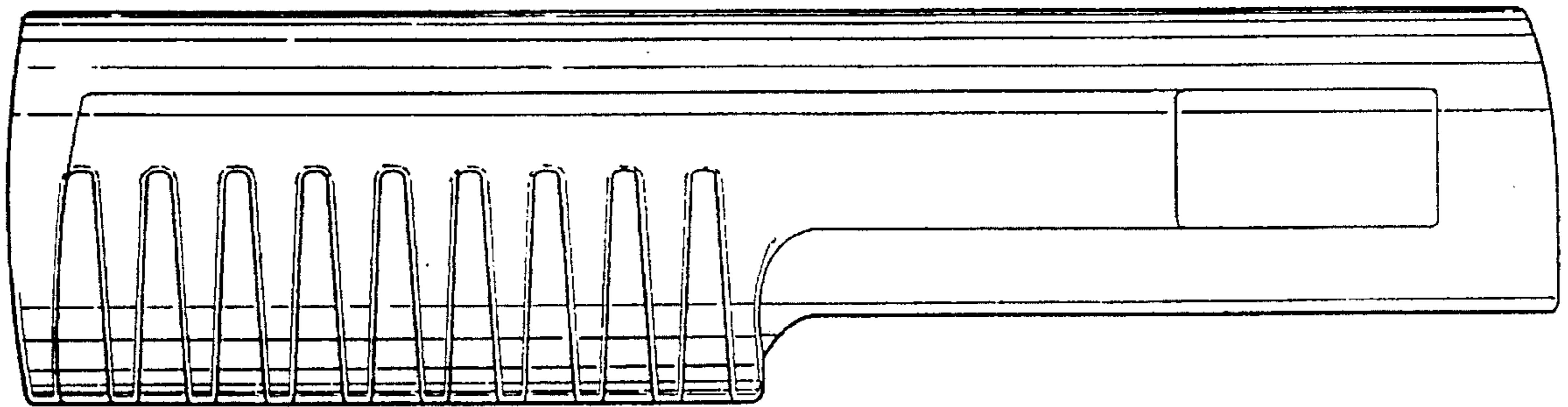


FIG. 4

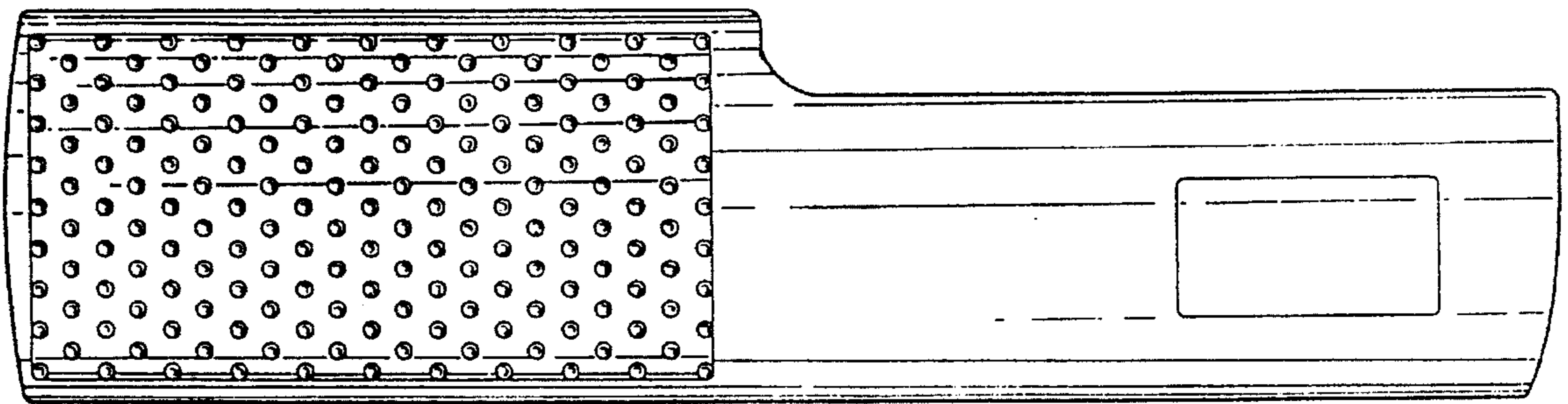


FIG. 5

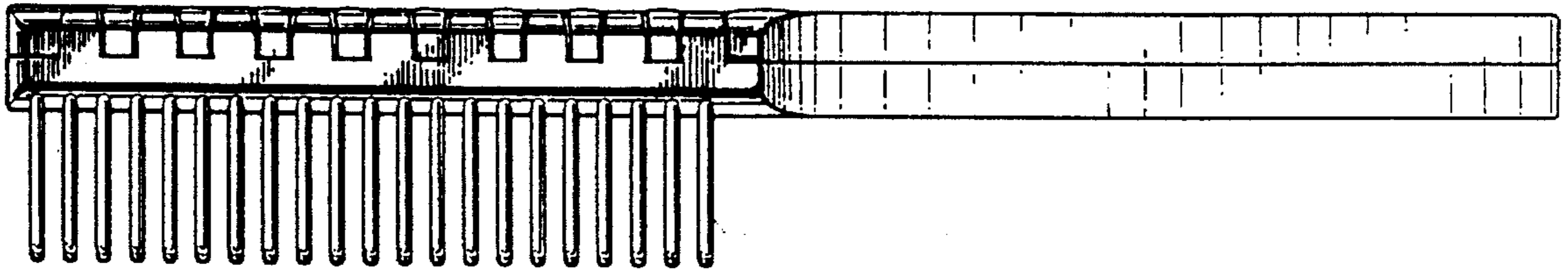


FIG. 6

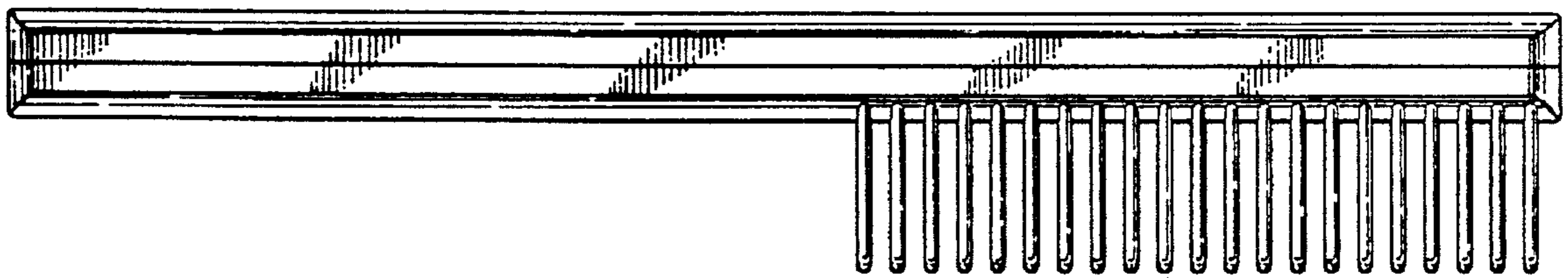


FIG. 7

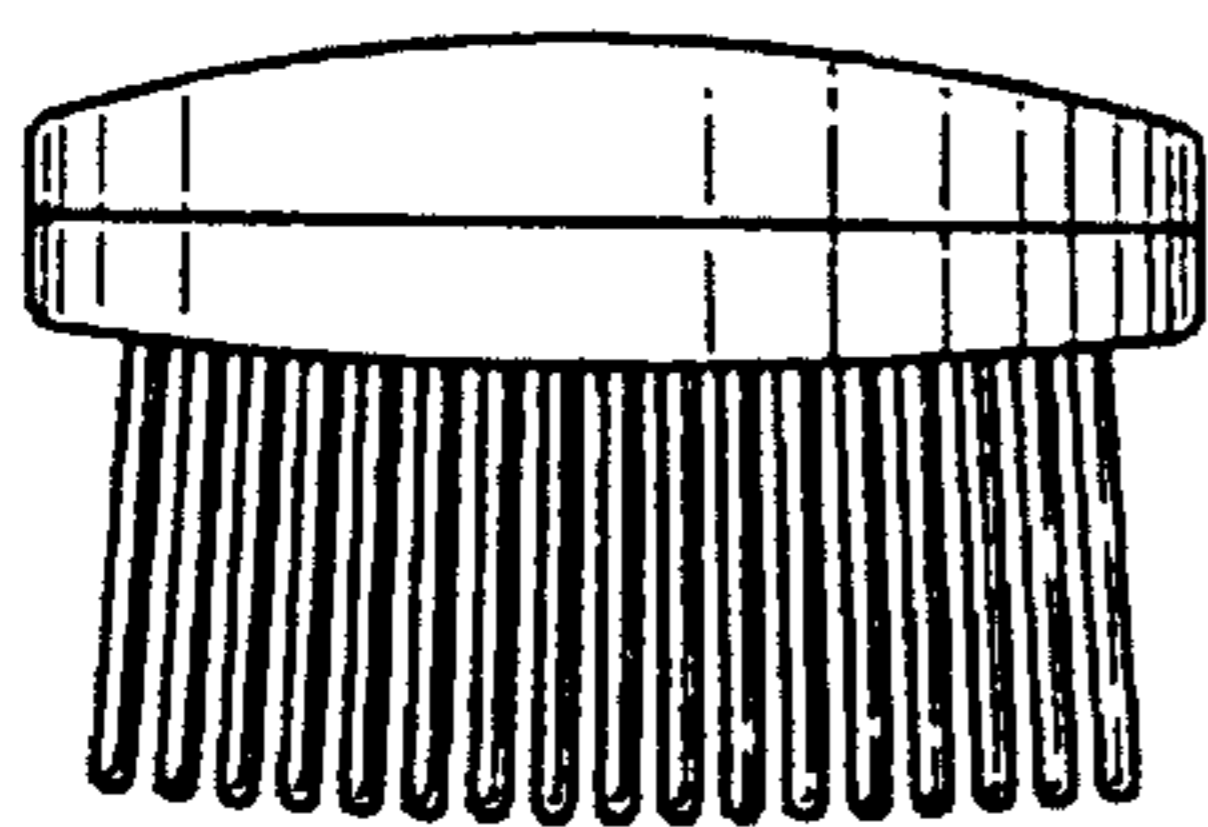


FIG. 8

