



US00D365926S

United States Patent [19]

[11] Patent Number: **Des. 365,926**

D'Angelo

[45] Date of Patent: ****Jan. 9, 1996**

[54] **COMBINED BACKPACK AND WATER CONTAINER**

5,106,005 4/1992 Waldrum .

Primary Examiner—Celia Murphy

[76] Inventor: **Mark A. D'Angelo**, 14 Koenig La., Freehold, N.J. 07728

[57] **CLAIM**

[**] Term: **14 Years**

The ornamental design for the combined backpack and water container, as shown and described.

[21] Appl. No.: **18,284**

DESCRIPTION

[22] Filed: **Feb. 2, 1994**

[52] U.S. Cl. **D3/217; D3/216**

[58] Field of Search **D3/202, 216, 217, D3/221; D7/619; 224/153, 148**

FIG. 1 is a front elevational view of the combined backpack and water container showing my new design; FIG. 2 is a rear elevational view thereof; FIG. 3 is a left side elevational view thereof; FIG. 4 is a right side elevational view thereof; FIG. 5 is a top plan view thereof; FIG. 6 is a bottom plan view thereof; and, FIG. 7 is a perspective view thereof.

[56] **References Cited**

U.S. PATENT DOCUMENTS

- 4,176,772 12/1979 Danon .
- 4,544,087 10/1985 Modig .
- 4,941,603 7/1990 Creamer et al. .
- 5,060,833 10/1991 Edison et al. .

The broken line lettering in FIGS. 1 and 7 is for illustrative purposes only and forms no part of the claimed design.

1 Claim, 4 Drawing Sheets

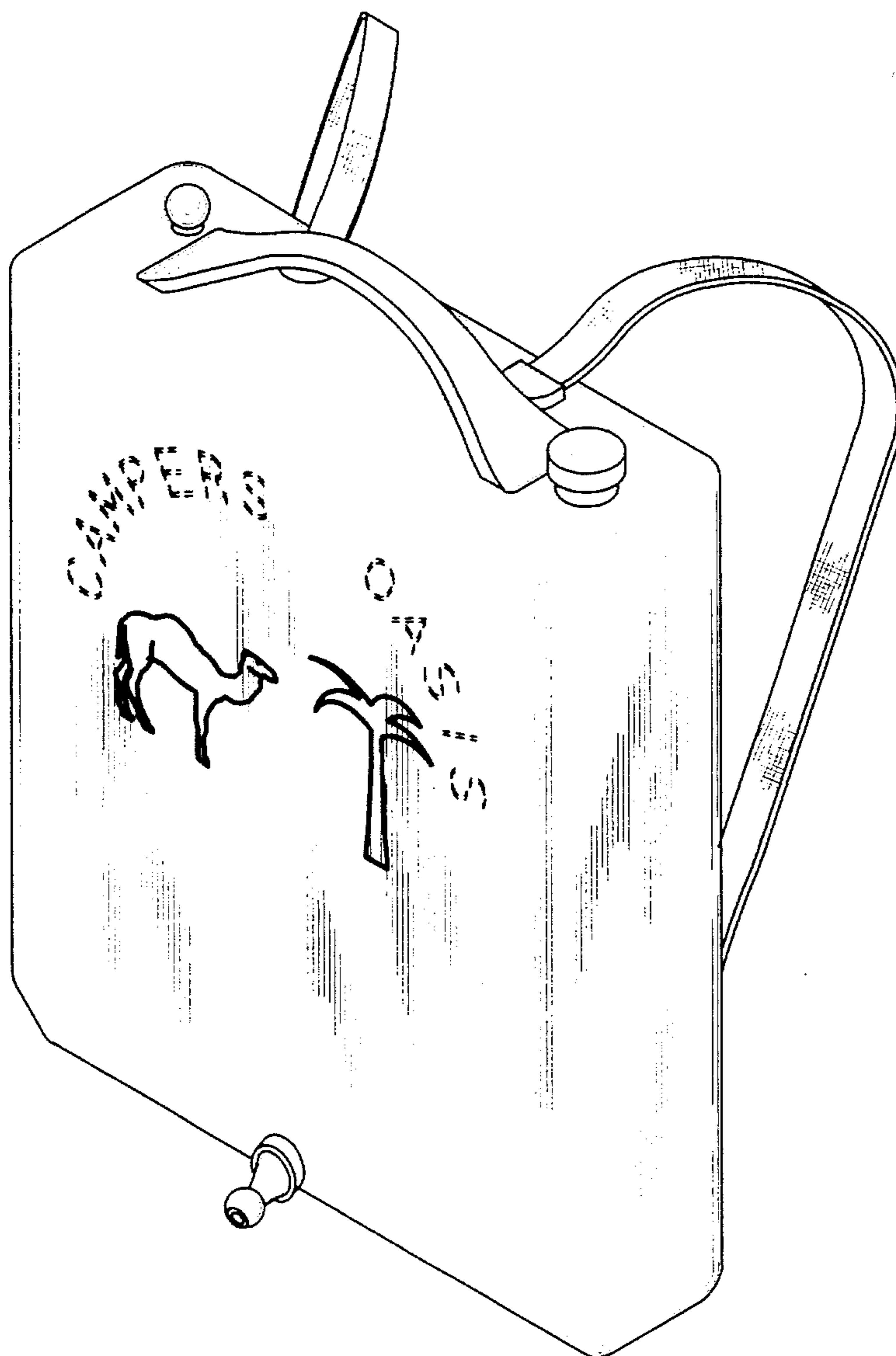


FIG. 1

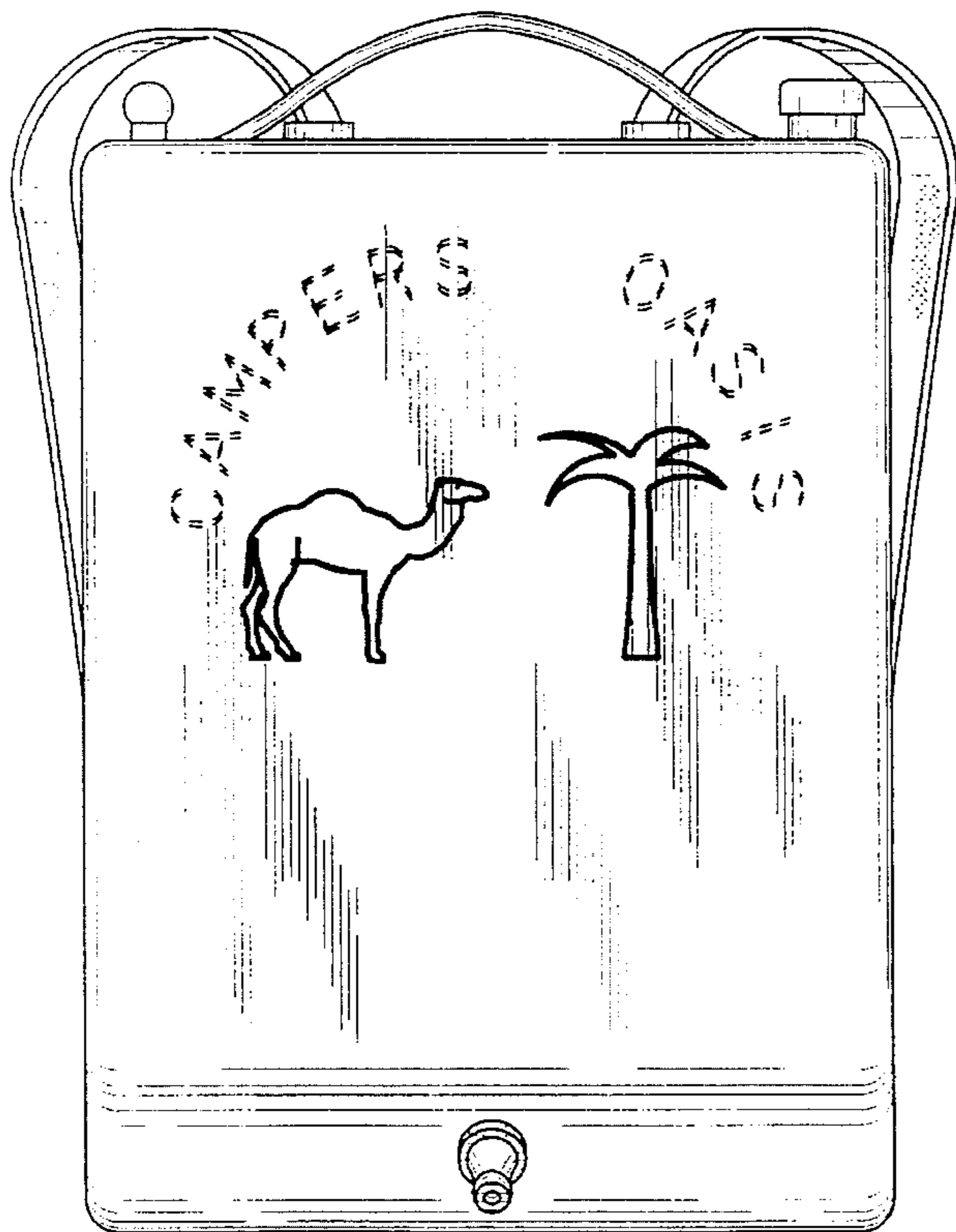


FIG. 2

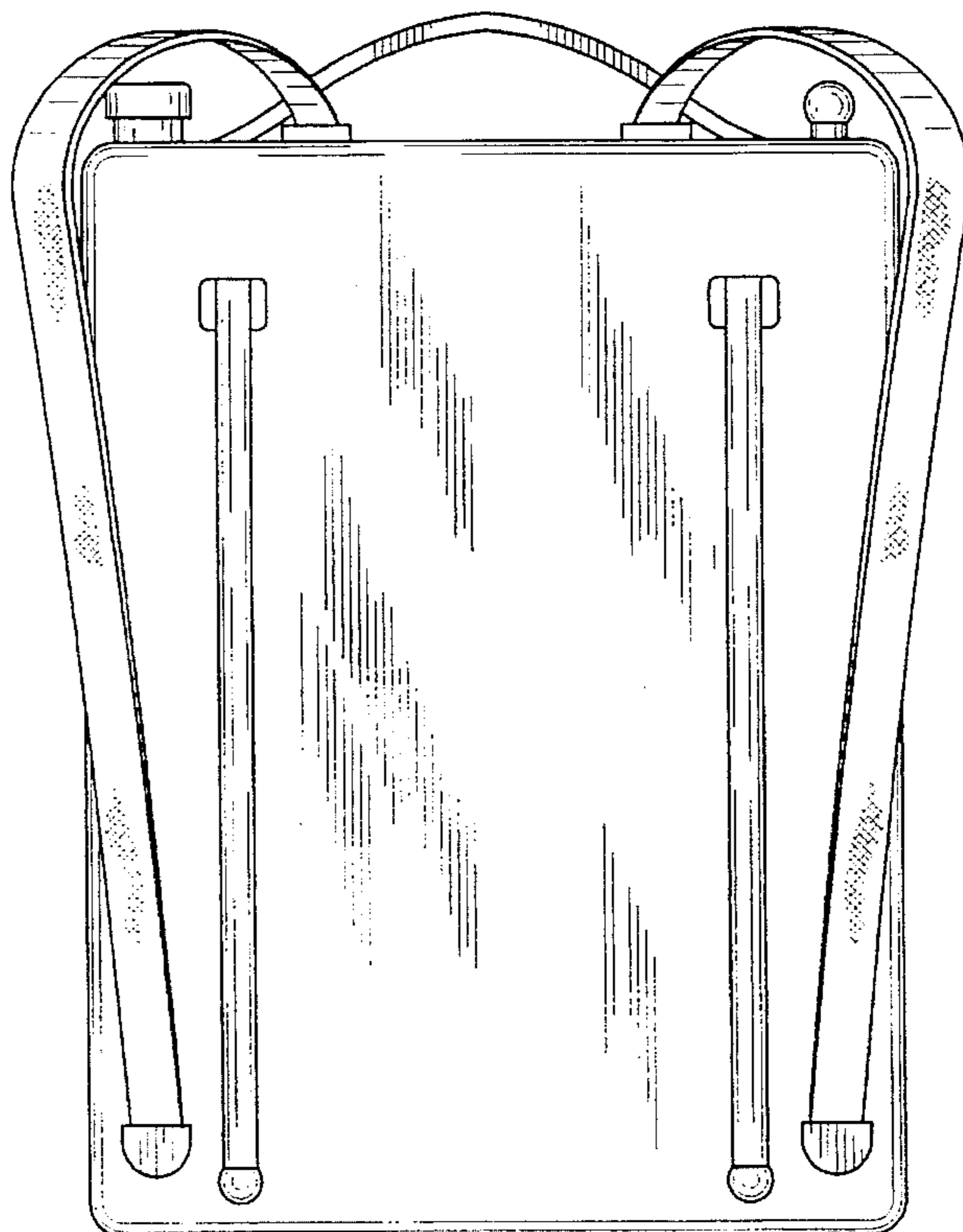


FIG. 3

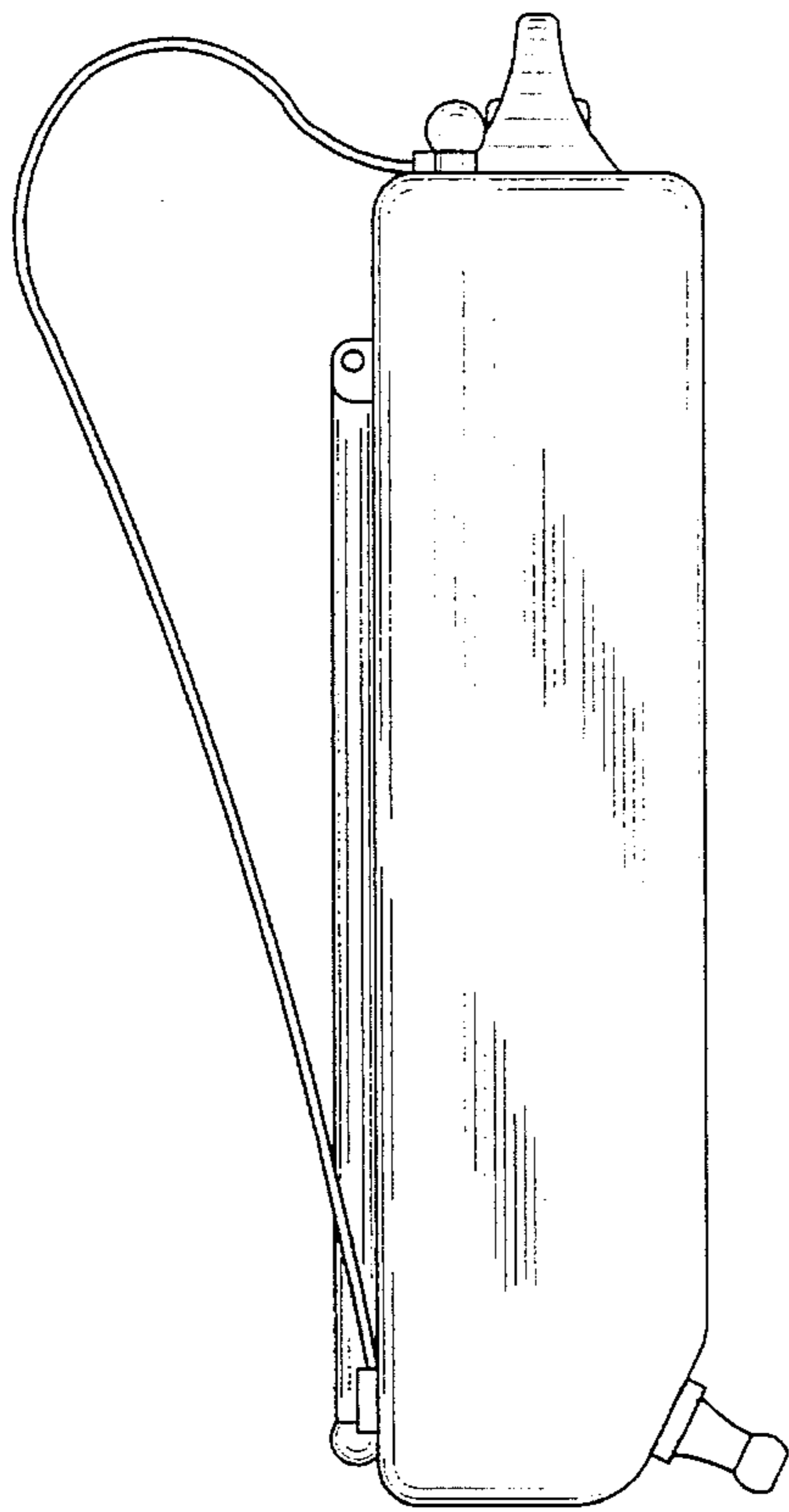


FIG. 4

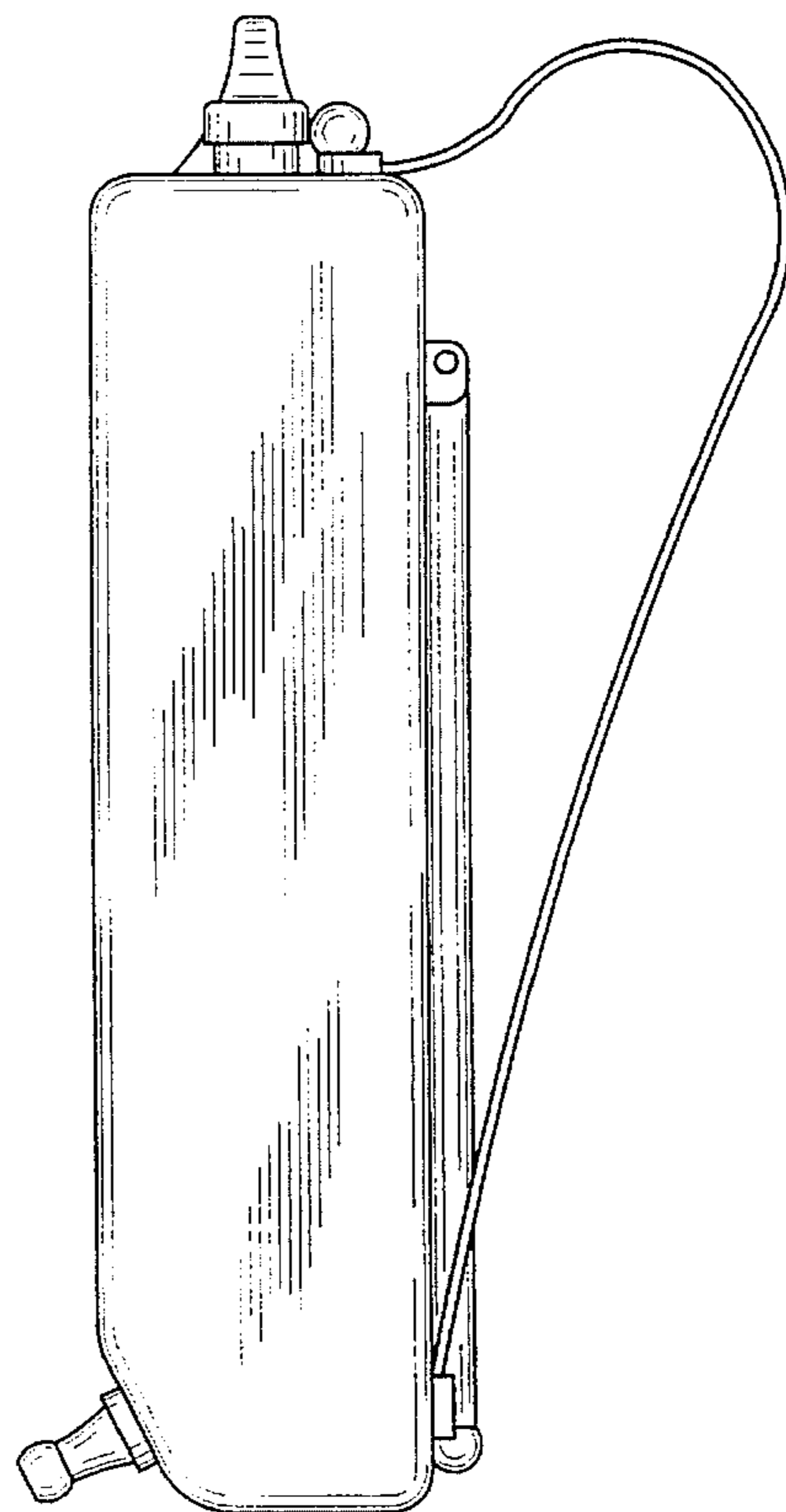


FIG. 5

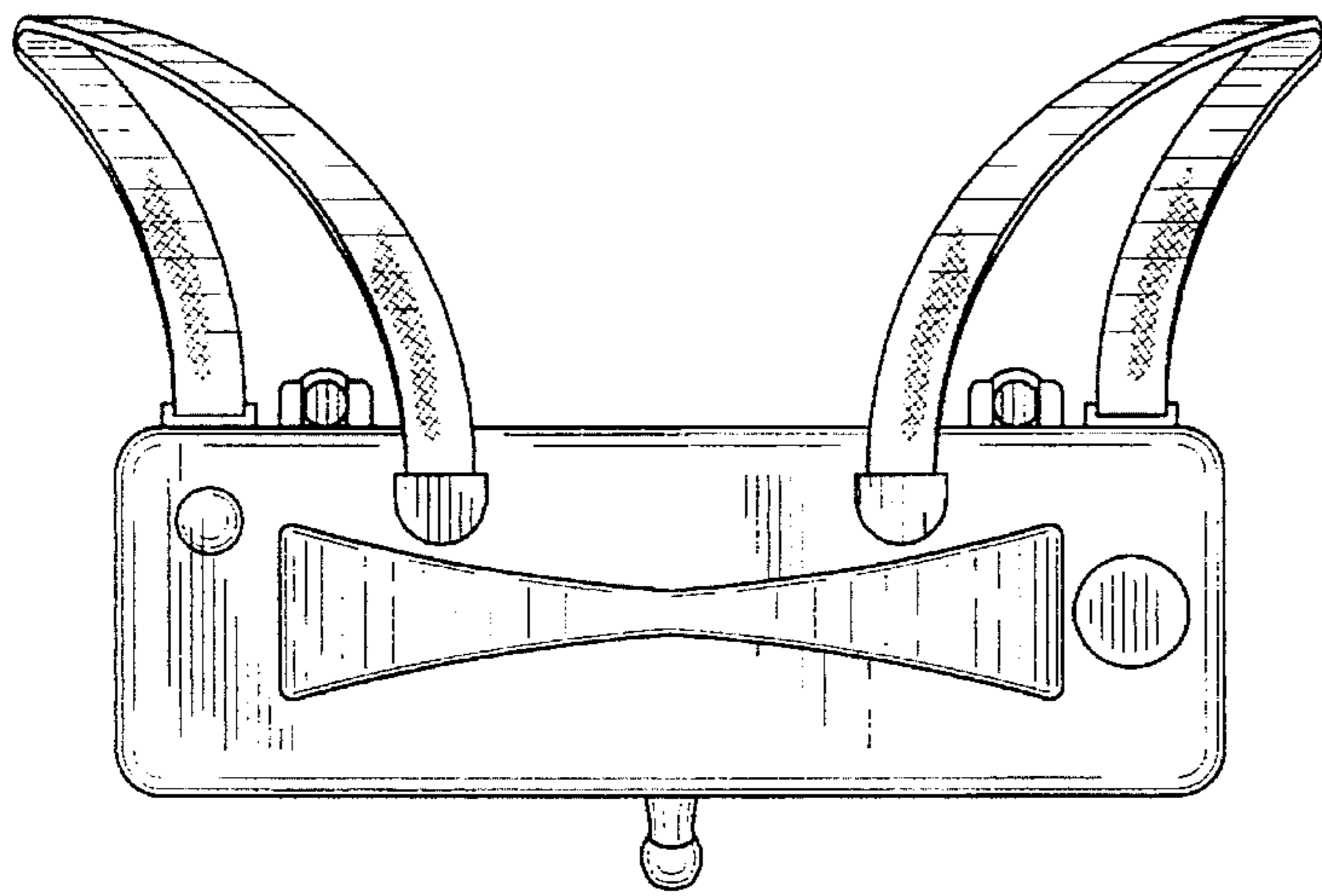


FIG. 6

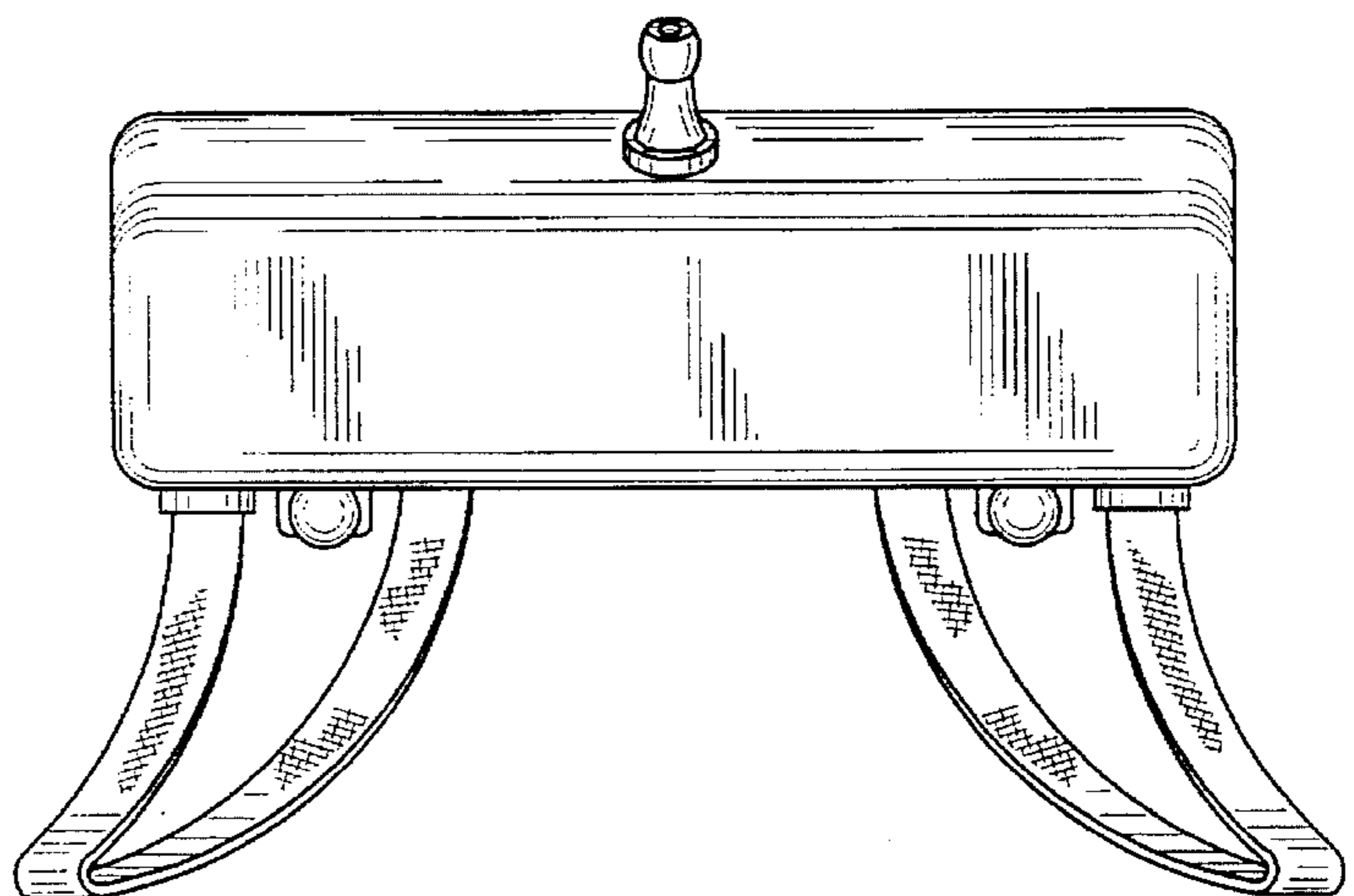


FIG. 7

